

ORDERING PARTS

FAST & EASY!

LOWEST PRICES!

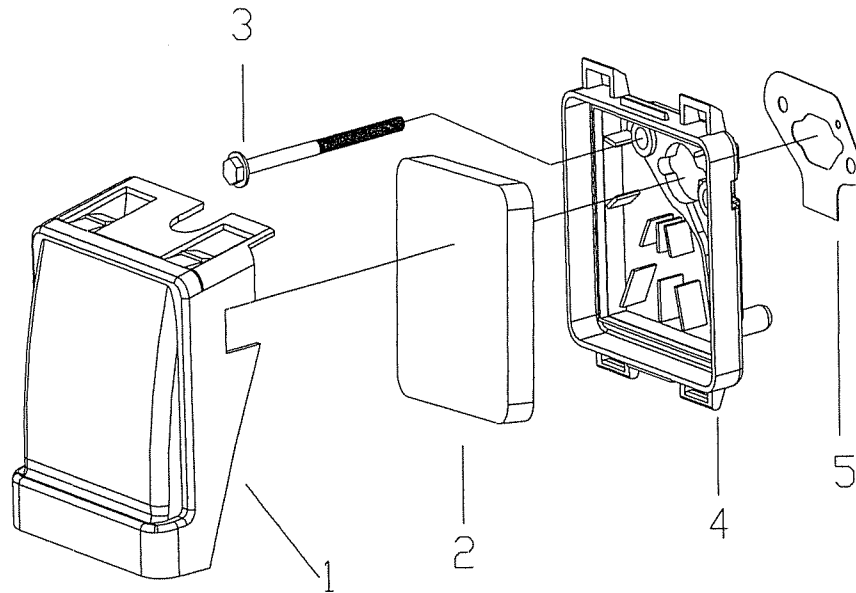
- 1) Seek Part(s) from your models illustrated diagram, cross over REF# to PART#
- 2) Type PART# into sites [Search Box] at GoKartsRus.com TIP! - RIGHT CLICK LINK, SELECT OPEN IN NEW TAB  
- 3) Add all needed parts to Shopping Cart | Complete "Checkout" | **✓ Done!**

If a part does not come up in a Site Search, please [Contact Us](#) (include part# in email)

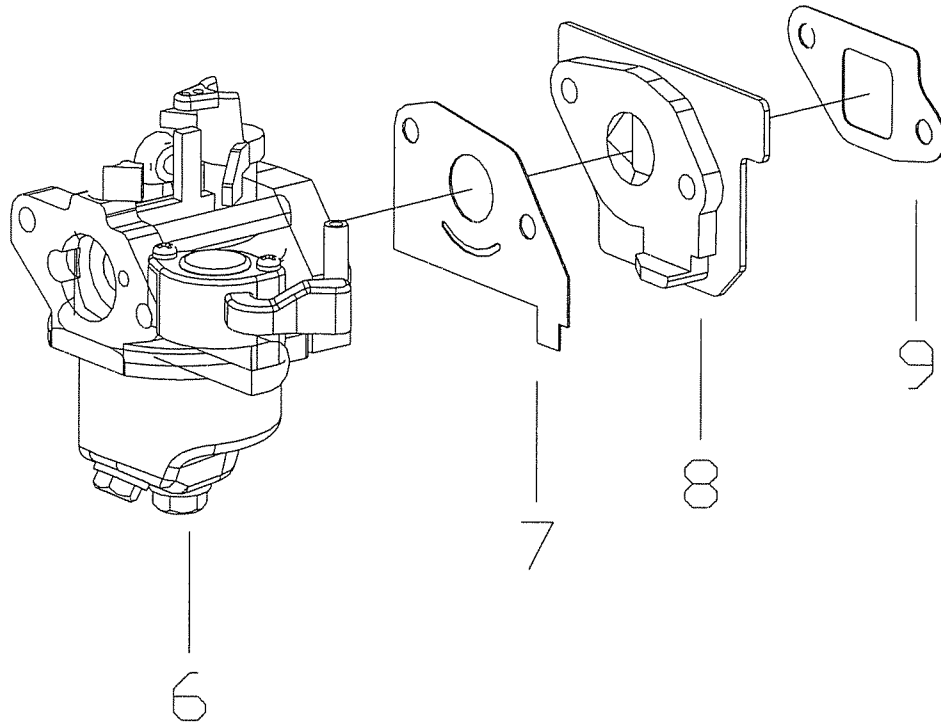
Illustrated Parts Manual

1050L

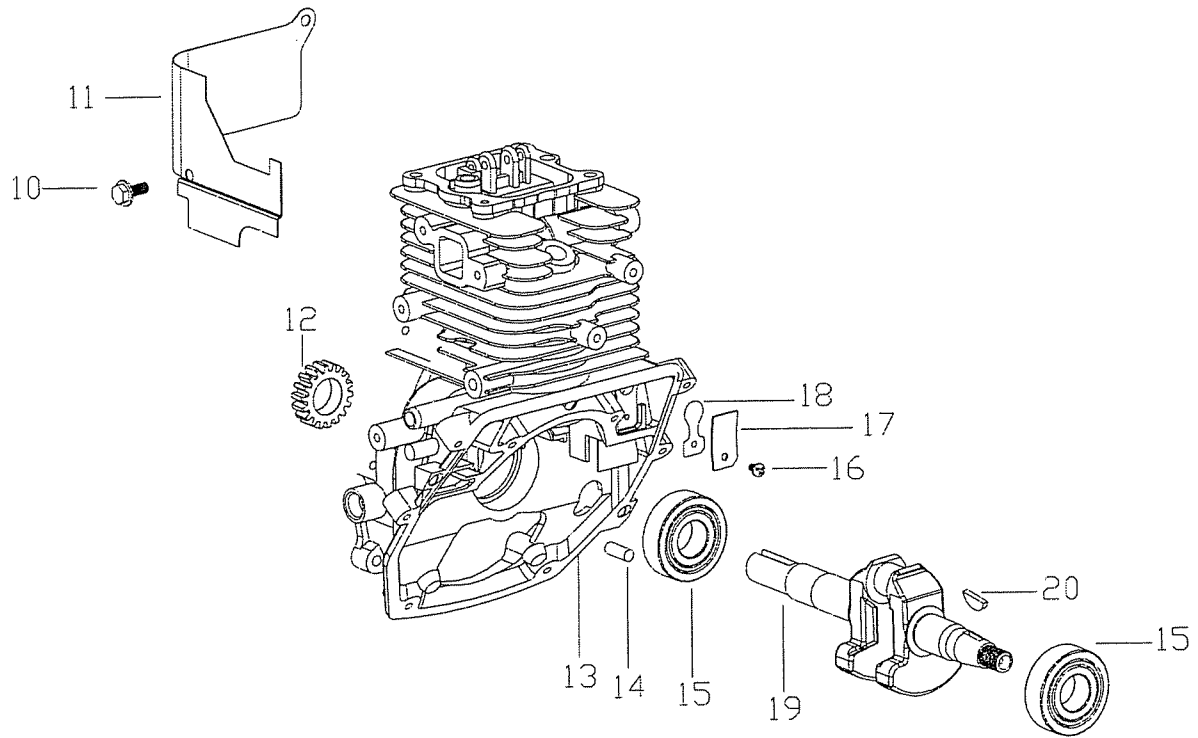
Y00098R3



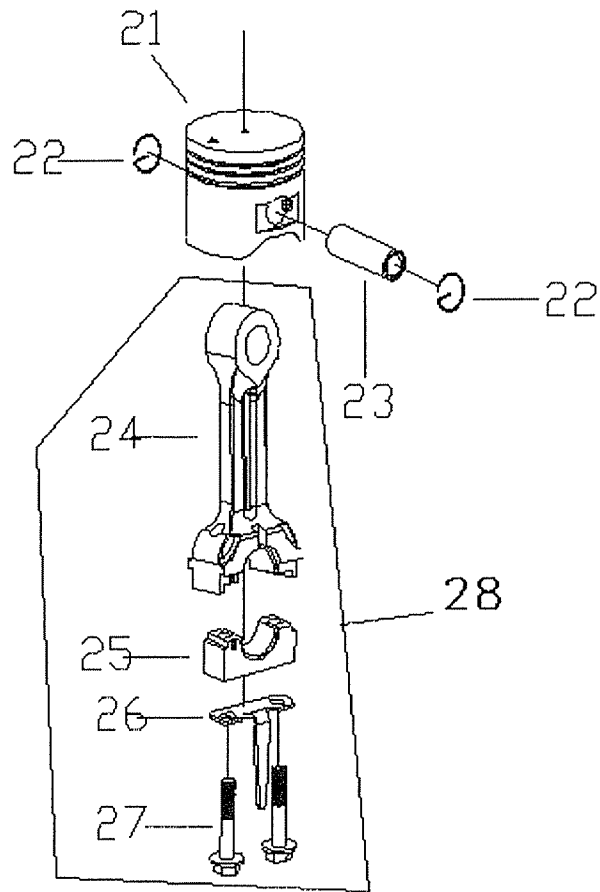
AIR CLEANER COMPLETE			
REF NO.	PART NO.	DESCRIPTION	QUANTITY
1		CLEANER OUTSIDE COVER	1
2		FILTER NET	1
3		SCREW M5X75	2
4		CLEANER INSIDE COVER	1
5		GASKET	1
-	Y00029	AIR CLEANER ASSEMBLY (INCL 1-5)	-



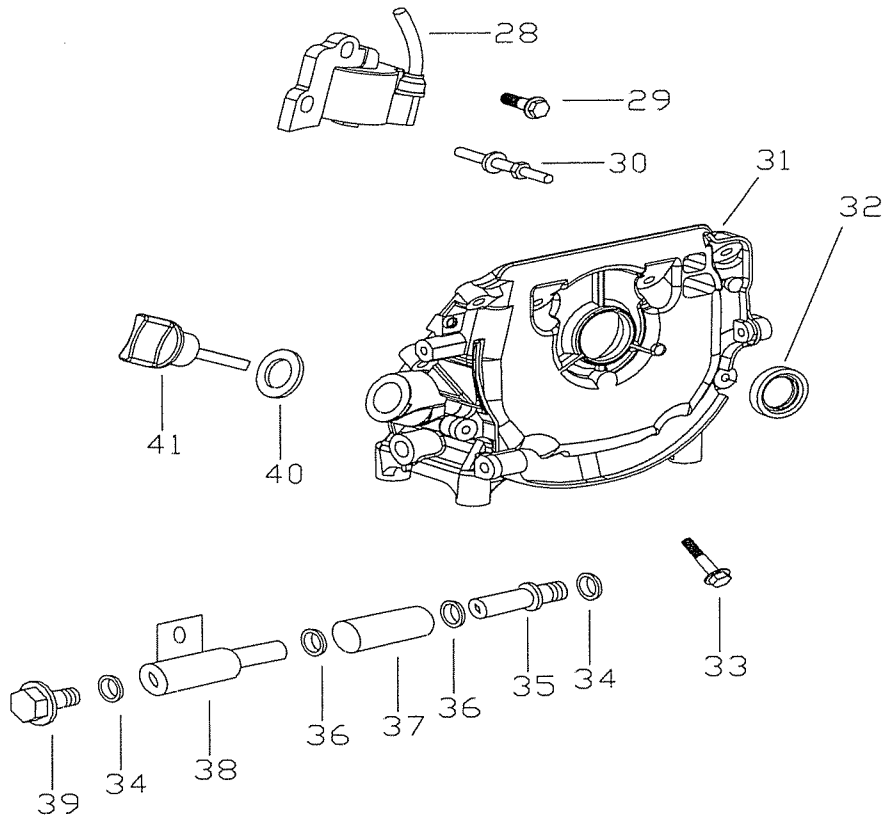
CARBURETOR			
REF NO.	PART NO.	DESCRIPTION	QUANTITY
6	Y00030	CARBURETOR COMPLETE	1
7	Y00006	GASKET	1
8	Y00005	INTAKE MANIFOLD	1
9	Y00004	GASKET	1



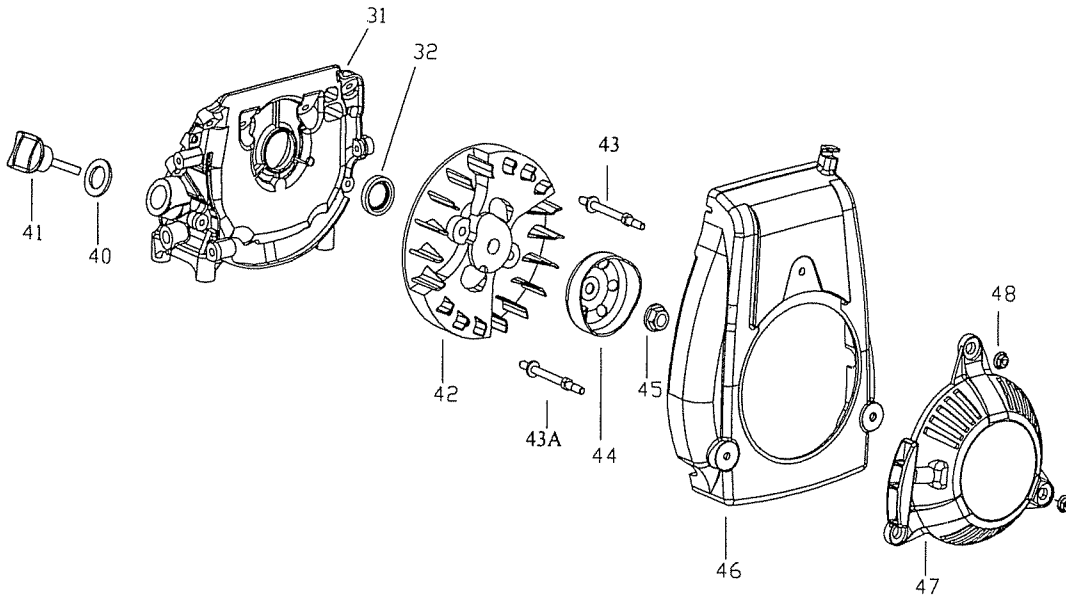
CYLINDER HEAD			
REF NO.	PART NO.	DESCRIPTION	QUANTITY
10		SCREW M5X12	7
11		SHROUD	1
12		GEAR WHEEL	1
13	Y00003	CYLINDER BODY COMPLETE	1
14		PIN 6X12	2
15		BEARING 6203/P5	1
16		SCREW M3X5	1
17		REED VALVE	1
18		REED VALVE PLATE	1
19		CRANK CASE	1
20		KEY 3X5X13	1



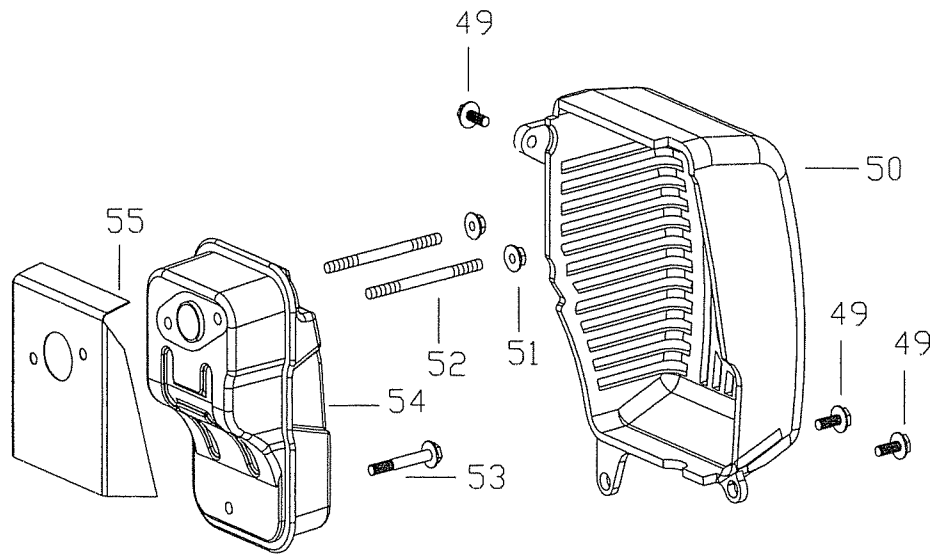
PISTON AND CONNECTING ROD			
REF NO.	PART NO.	DESCRIPTION	QUANTITY
21-1	Y00011	PISTON	1
21-2	Y00014	TOP COMPRESSION RING	1
21-3	Y00015	BOTTOM COMPRESSION RING	1
21-4	Y00016	OIL RING	1
22	Y00012	PISTON CLIP	2
23	Y00013	PISTON PIN	1
24		CONNECTING ROD	1
25		CONNECTING ROD CAP	1
26		OIL FORK	1
27		SCREW M5X25	2
28	Y00132	ROD REPLACEMENT KIT (24, 25, 26, 27)	1



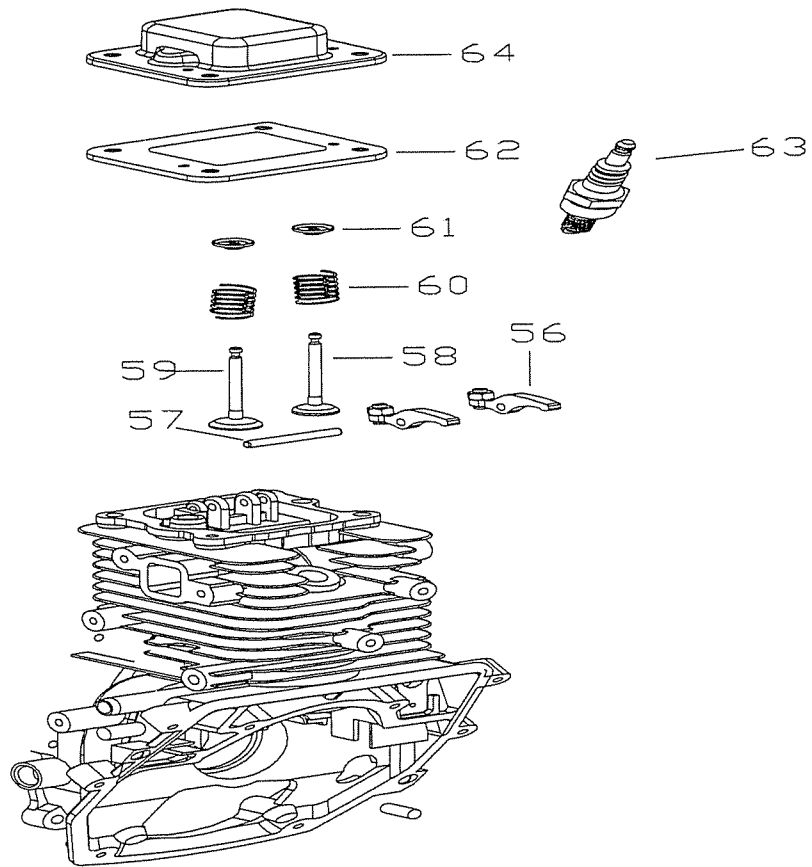
PISTON ASSY			
REF NO.	PART NO.	DESCRRIPTION	QUANTITY
28	Y00017	IGNITION COIL ASSEMBLY	1
29		SCREW M5X20	7
30		SCREW 2	1
31		CASE	1
32		OIL SEAL	2
33		SCREW M5X25	8
34		SCREW GASKET	2
35		SCREW	1
36		HOOP(φ 13~φ 19)	2
37		PIPE 2~10	1
38		OIL PIPE	1
39		SCREW	1



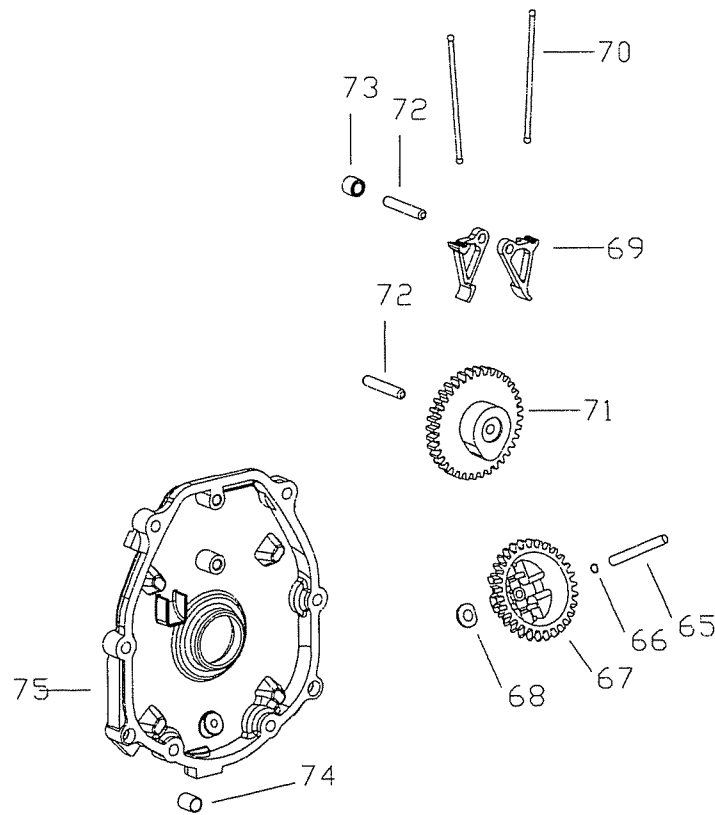
STARTING SYSTEM			
REF NO.	PART NO.	DESCRIPTION	QUANTITY
40	Y00009	OIL FILL GASKET	1
41	Y00010	OIL FILL PLUG	1
42		MAGNETO ROTOR COMP	1
43	Y00124	SCREW 1	1
43A	Y00125	SCREW 2	2
44	Y00122	START REEL	1
45		NUT M10X1.25	1
46		MANGNETO COVER	1,
47		STARTER	1
48		NUT M5	3



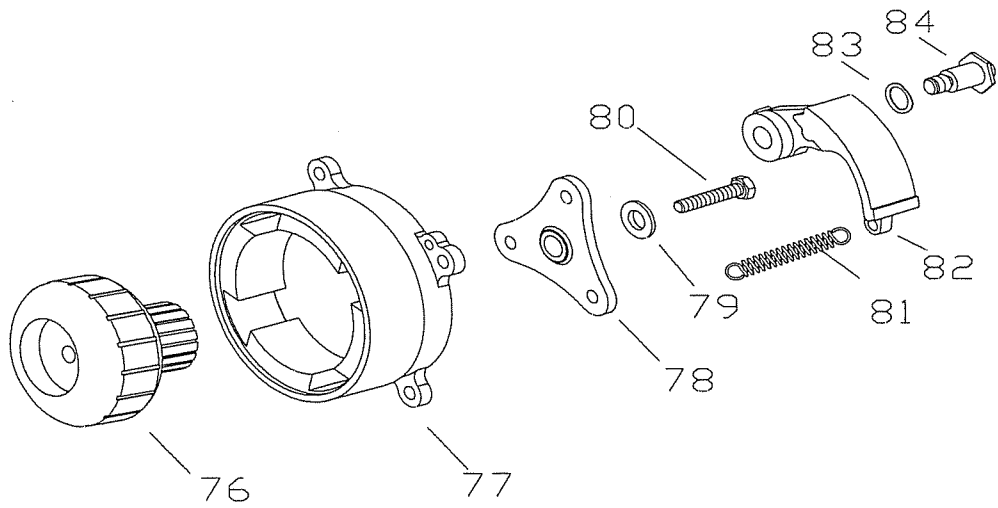
MUFFLER			
REF NO.	PART NO.	DESCRIPTION	QUANTITY
49		SCREW M5X16	3
50	Y00028	MUFFLER COVER	1
51		NUT M5	3
52		EXHAUST STUD	2
53		SCREW M5X40	1
54	Y00027	MUFFLER	1
55		MUFFLER BAFFLE	1



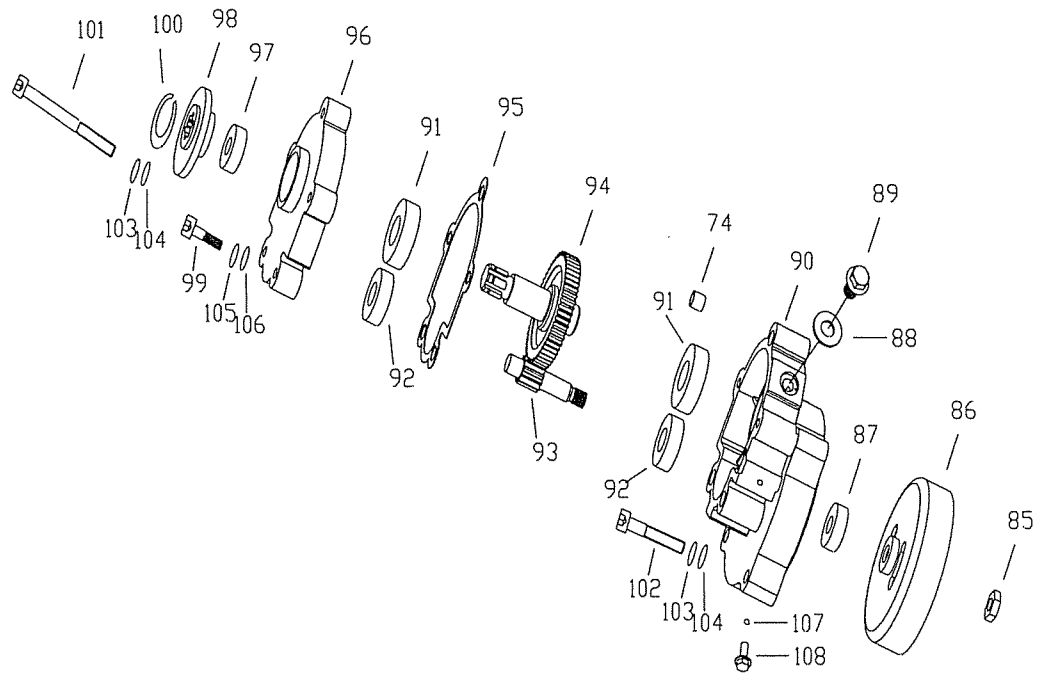
VALVE TRAIN			
REF NO.	PART NO.	DESCRIPTION	QUANTITY
56	Y00020	ROCKER	2
57	Y00021	ROCKER--SHAFT	1
58	Y00024	INTAKE VALVE	1
59	Y00025	EXHAUST VALVE	1
60	Y00023	VALVE SPRING	2
61	Y00022	VALVE SPRING SEAT	2
62	Y00008	VALVE COVER GASKET	1
63	Y00018	SPARK PLUG	1
64		VALVE COVER	1



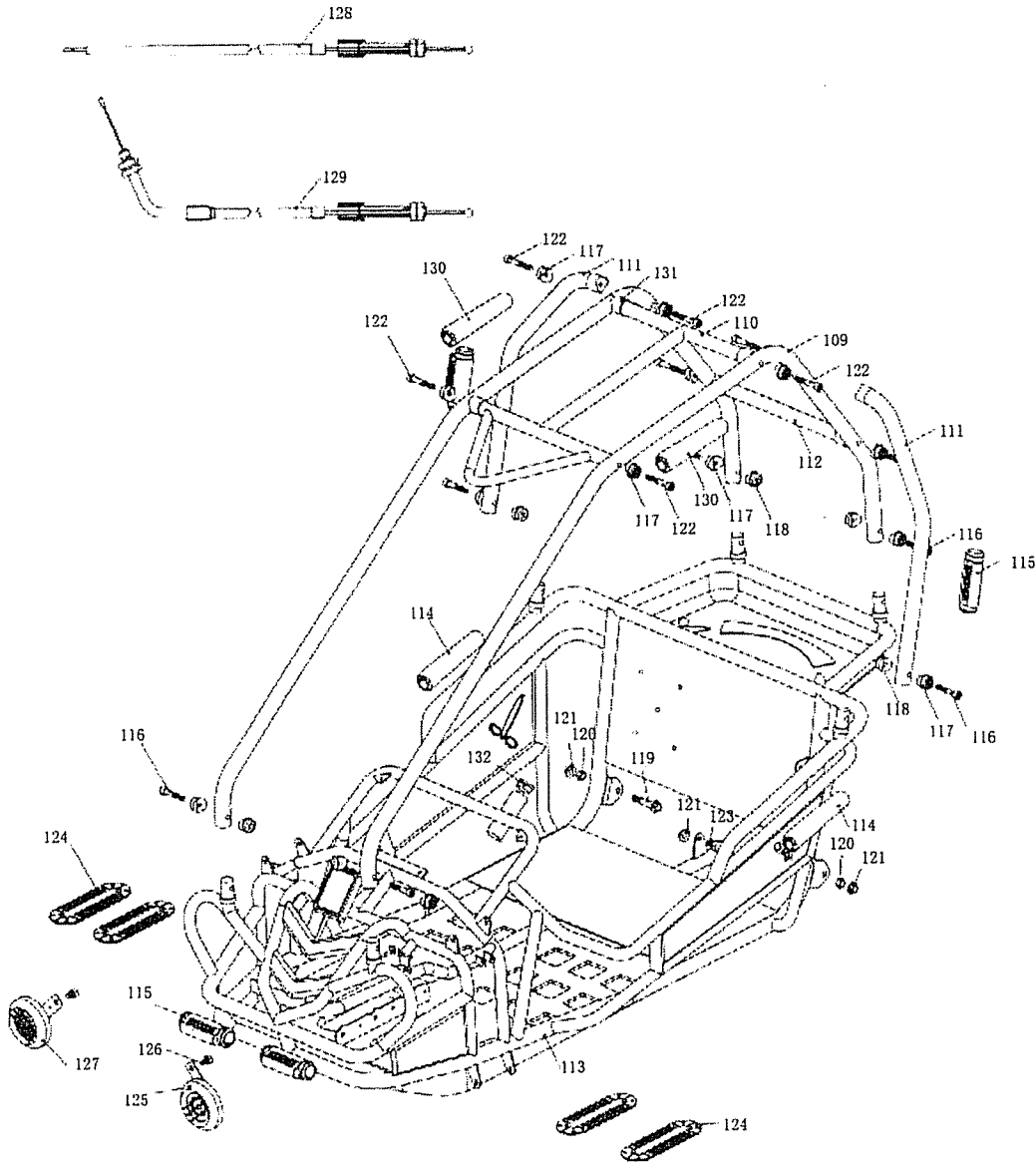
CAM GEAR			
REF NO.	PART NO.	DESCRIPTION	QUANTITY
65		GEAR PIN	1
66		PIN RING	1
67		TIMING GEAR	1
68		WASHER	1
69		LOWER VALVE ROCKER	2
70		PUSH ROD	2
71		CAM WHEEL	1
72		LOWER ROCKER SHAFT	2
73		SLEEVE	1
74		PIN	4
75		SIDE COVER	1



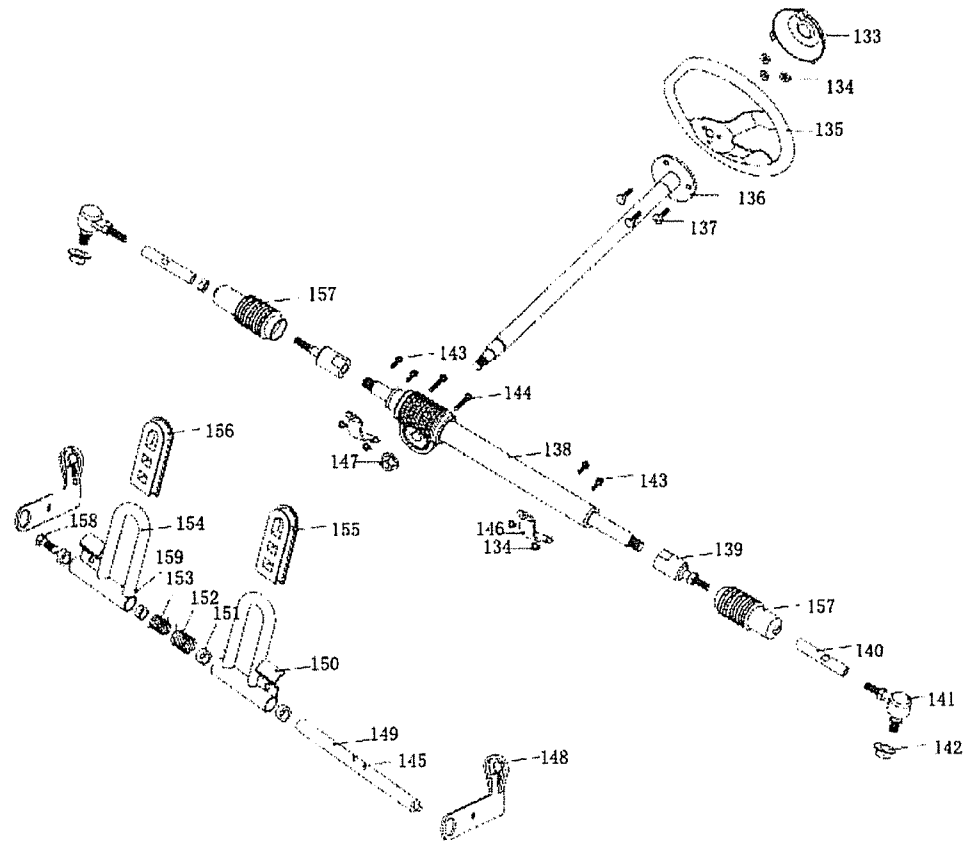
STARTER MOTOR			
REF NO.	PART NO.	DESCRIPTION	QUANTITY
76		ELECTROMOTOR ROTOR	1
77	Y00031	STARTER MOTOR (INCL 76-84)	1
78		UNDERPAN	1
79		WASHER 8-140HV	1
80		SCREW M8X60-10.9	1
81		SPRING	3
82		EXPANDER	3
83		WASHER	3
84		SCREW PIN	3



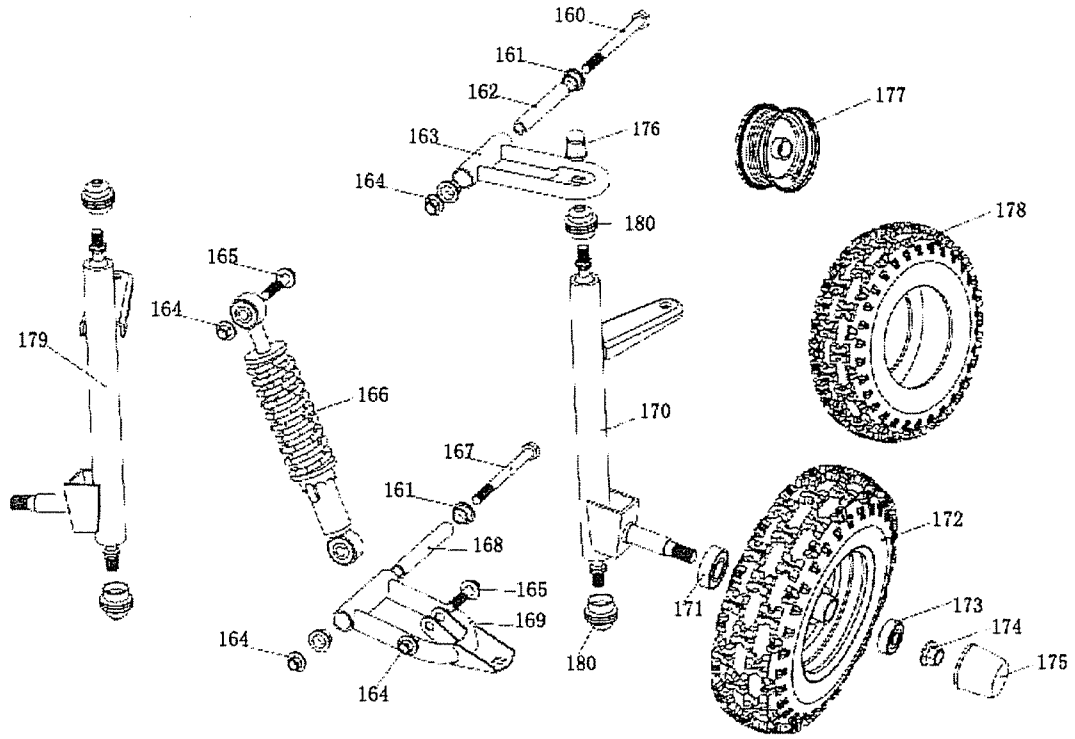
GEARBOX			
REF NO.	PART NO.	DESCRIPTION	QUANTITY
-	Y00034	GEARBOX COMPLETE (INCL 85-107)	1
85		NUT M8	1
86		DRIVEN SET	1
87		OIL SEAL 9X22X7	1
88		WAHSER	1
89		AIR SCREW	1
90		FRONT SLOWDOWN BODY	1
91		BEARING 629	2
92		BEARING 6002	2
93		INITIATIVE SHAFT	1
94		SHAFT	1
95		WAHSER	1
96		AFTER SLOWDOWN BODY	1
97		OIL SEAL	1
98	Y00032	SPROCKET	1
99		SCREW M5X35	3
100	Y00033	SNAP RING	1
101		SCREW	2
102		SCREW M6X80	2
103		WASHER 6	4
104		WASHER 6	4
105		WASHER 5	6
106		WASHER 5	6
107		GASKET	1



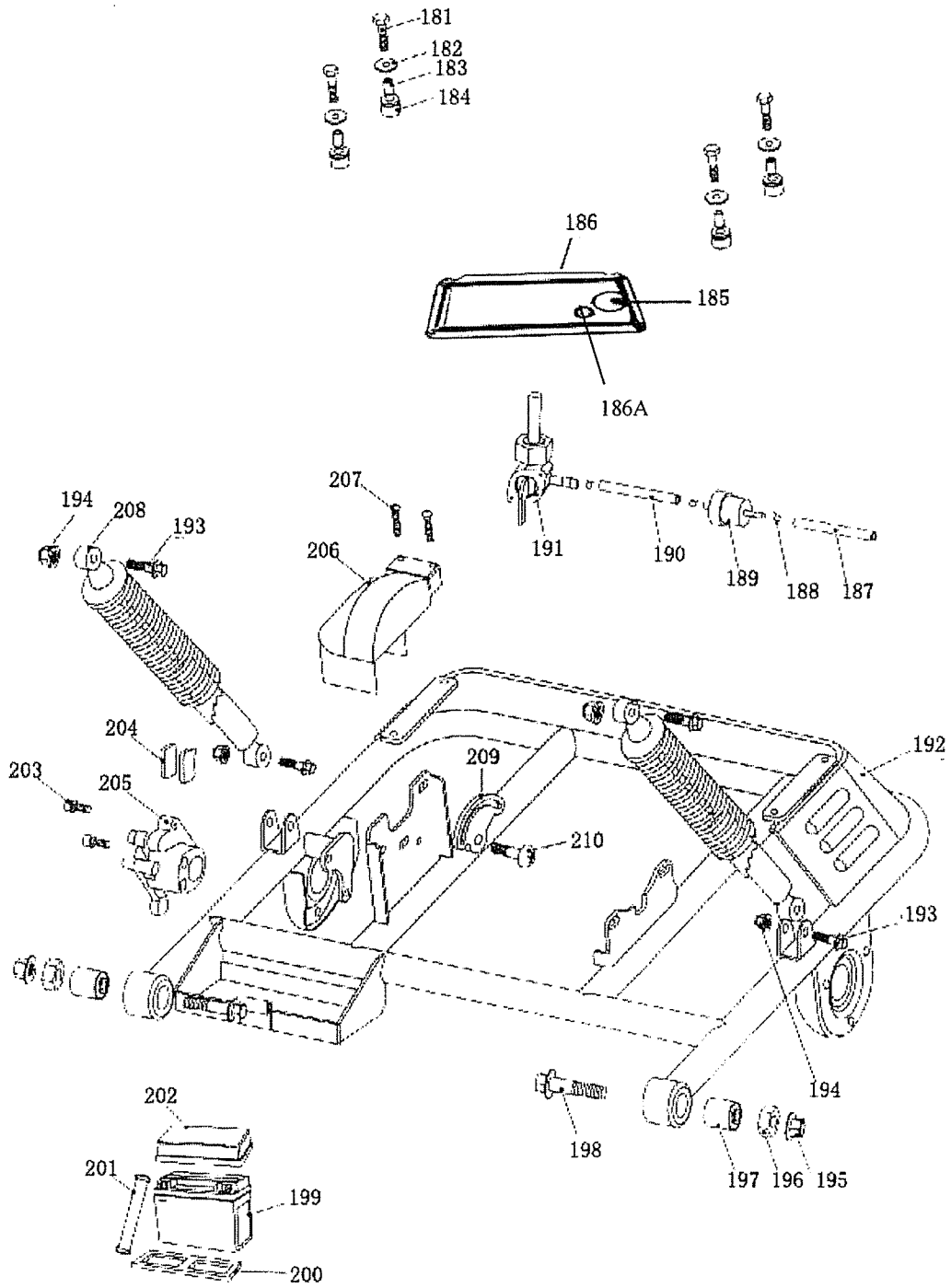
FRAME GROUP			
REF NO.	PART NO.	DESCRIPTION	QUANTITY
109	Y00121	BRUSH GUARD MAIN BAR	2
110	Y00118	BRUSH GUARD BAR	1
111	Y00119	BRUSH GUARD J BAR	2
112	Y00120	BRUSH GUARD CROSS BAR	1
113	-	FRAME COMP	1
114	Y00035	FOAM PADDING - L22	2
115	Y00106	RUBBER PROTECTOR	4
116	-	ALLEN HEAD BOLT, M8X1.25X40	6
117	Y00036	BRUSH GUARD WASHER, CAP M8	14
118	Y00037	BRUSH GUARD NUT CAP, M8	6
119	-	FLANGE BOLT, M10X1.25X50	2
120	-	NUT, M10	2
121	-	LOCKING FLANGE NUT, M10	3
122	Y00107	ALLEN HEAD BOLT, M8X1.25X50	8
123	-	FLANGE BOLT, M10X1.25X16	1
124	Y00038	RUBBER FOOT PLATE	4
125	Y00095	HORN, HIGH	1
126	-	FLANGE BOLT, M10X1.25X10	2
127	Y00096	HORN, LOW	1
128	Y00039	THROTTLE CABLE COMP	1
129	Y00040	BRAKE CABLE COMP	1
130	Y00041	FOAM PADDING -30	2
131	Y00108	BRUSH GUARD BAR CAP	8
132	-	STEERING SHAFT BUSH	1



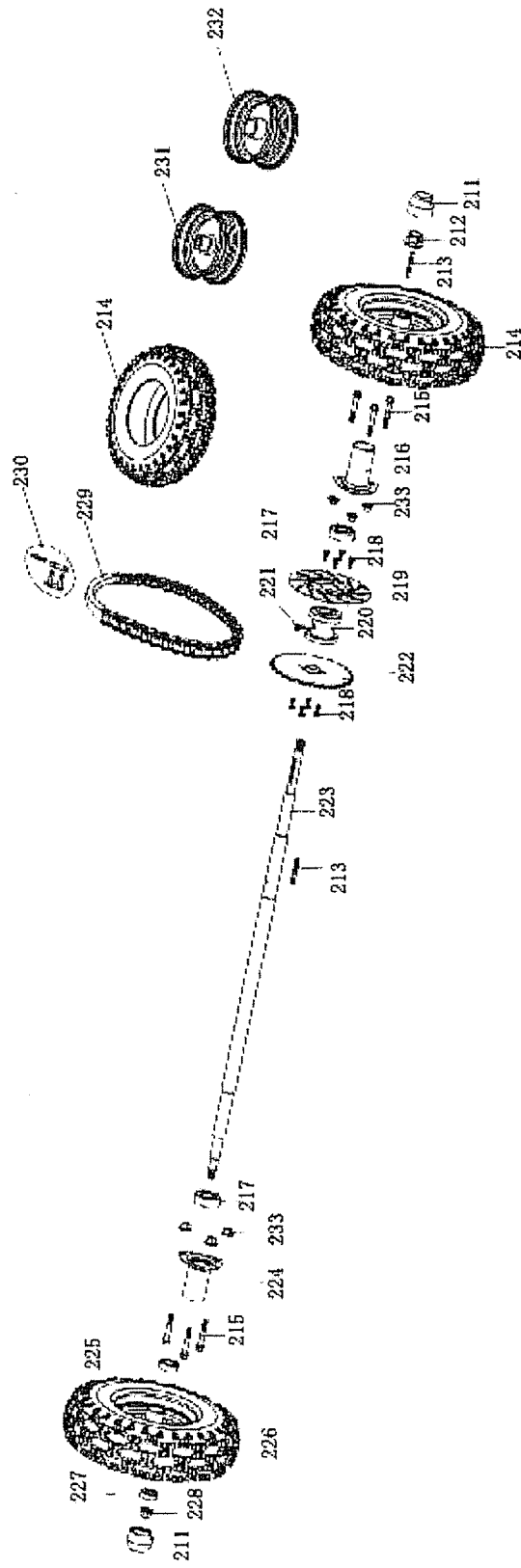
STEERING SHAFT ASSY.			
REF NO.	PART NO.	DESCRIPTION	QUANTITY
133		STEERING BOLT COVER	1
134		LOCKING NYLON NUT M6	7
135		STEERING WHEEL	1
136		STEERING-SHAFT	1
137		BOLT M6X16	3
138	Y00042	RACK AND PINION	1
139	Y00043	STEERING BALL JOINT	2
140	Y00044	TIE ROD	2
141	Y00045	ROD END	2
142	Y00046	LOCKING NYLON NUT M8	2
143		FLANGE BOLT, M6X20	4
144		BOLT M5X12	2
145		ROLL PIN M3X20	2
146		STEERING GEAR BRACKET	2
147	Y00080	LOCKING FLANGE NUT M12	1
148	Y00128	PEDAL BRACKET	2
149		PEDAL BOLT	1
150		BRAKE PEDAL COMP.	1
151		PEDAL BUSHING	4
152	Y00047	BRAKE PEDAL RETURN SPRING, R	1
153	Y00048	THROTTLE PEDAL RETURN SPRING, L	1
154		THROTTLE PEDAL COMP	1
155	Y00049	BRAKE PEDAL PAD	1
156	Y00050	THROTTLE PEDAL PAD	1
157		STEERING BALL JOINT DUST COVER	2
158		ALLEN HEAD BOLT M8X1.25X16	1
159		ROLL PIN M3X16	2



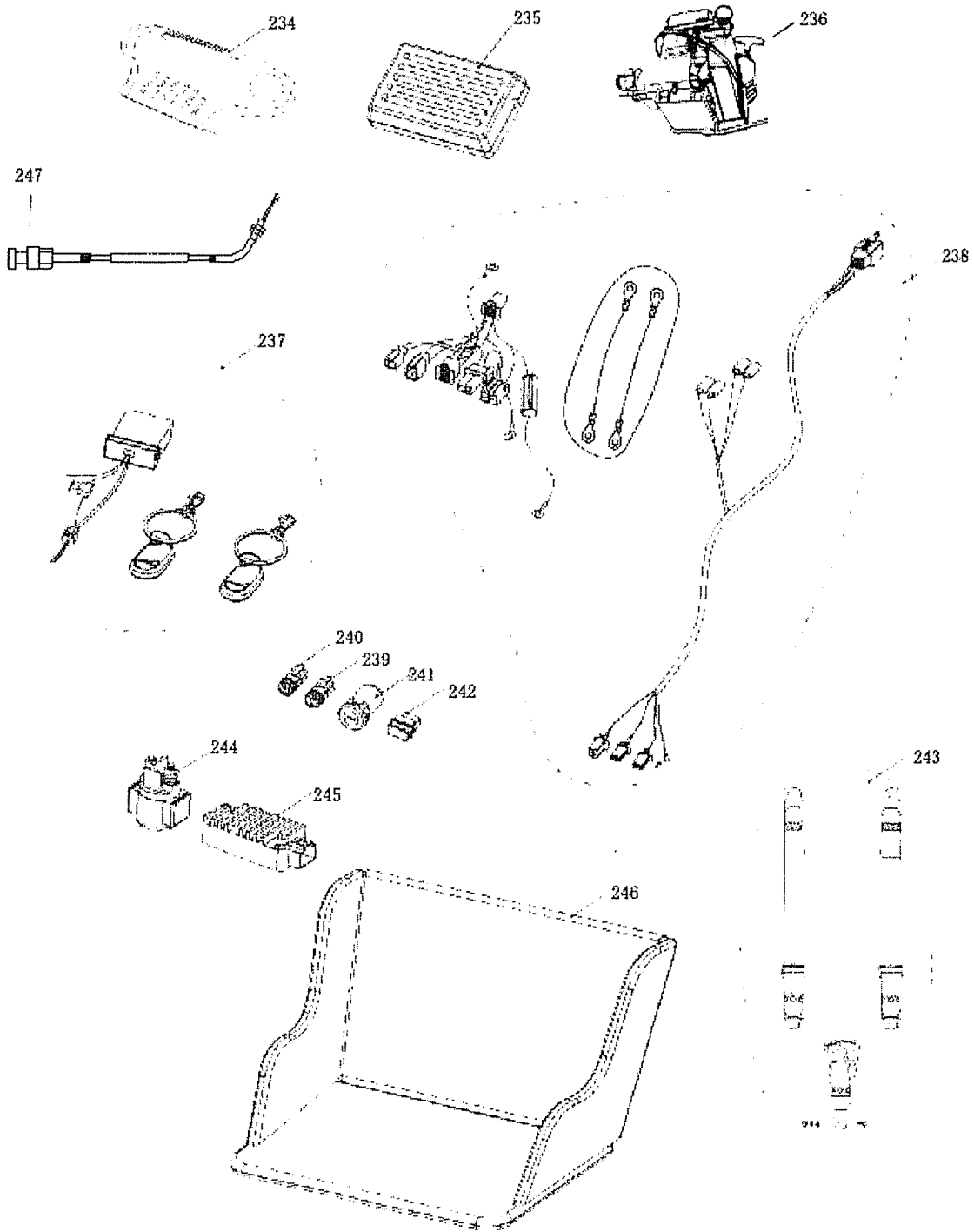
SUSPENSION ARM ASSY.			
REF NO.	PART NO.	DESCRIPTION	QUANTITY
160		FLANGE BOLT M8X1.25X95	2
161		UPPER SUSPENSION ARM BUSHING	8
162		UPPER SUSPENSION ARM COLLAR	2
163	Y00051	UPPER SUSPENSION ARM	2
164		LOCKING FLANGE NYLON NUT.M8	8
165		FLANGE BOLT M8X1.25X30	4
166	Y00052	CUSHION ASSY, FR	2
167		FLANGE BOLT M8X1.25X100	2
168		LOWER SUSPENSION ARM COLLAR	2
169	Y00053	LOWER SUSPENSION ARM ASSY	2
170	Y00054	SPINDLE AND STRUT SUPPORT, R	1
171	Y00055	BEARING 6202	2
172	Y00056	FRONT WHEEL ASSY	2
173	Y00057	BEARING 6201	2
174	Y00080	LOCKING FLANGE NUT M12	2
175	Y00109	HUB COVER FR	2
176	Y00109	ACORN NUT M10	2
177	110	RIM, FR	2
178		TIRE, FR 13 X 6 X 3.6	2
179	Y00058	SPINDLE AND STRUT SUPPORT, L	1
180		BALL HEAD DUST SEAL	4



REAR SWING ARM			
REF NO.	PART NO.	DESCRIPTION	QUANTITY
181		FLANGE BOLT, M6X25	4
182		FLAT WASHER	4
183		TANK COLLAR COMP	4
184		RUBBER MOUNT	4
185	Y00059	FUEL CAP (INCL SCREEN)	1
186	Y00060	FUEL TANK (INCL 186A)	1
186A	Y00126	FUEL GAUGE	
187		FUEL TUBE, #1	1
188		FUEL TUBE CLIP	4
189	Y00061	FUEL FILTER	1
190		FUEL TUBE, #2	1
191	Y00062	FUEL COCK ASSEMBLY	1
192	Y00123	SWING ARM (REAR)	1
193		FLANGE BOLT M8X1.25-30	4
194		LOCKING FLANGE NYLON NUT M8	4
195		LOCKING FLANGE NUT M10	2
196		NUT M10	2
197		REAR SWING ARM BUSH	2
198		FLANGE BOLT M10X1.25-50	2
199	Y00063	BATTERY 12V 6.5AH	1
200	Y00064	LOWER BATTERY CUSHION	1
201	Y00065	BATTERY BAND	1
202	Y00066	BATTERY COVER	1
203	Y00067	ALLEN BOLT M6X16	2
204	Y00068	BRAKE PAD SET, RR	1
205	Y00069	CALIPER ASSY. RR	1
206	Y00097	CHAIN GUARD	1
207		BOLT M5X30	2
208	Y00070	CUSHION ASSEMBLY RR	2
209	Y00127	CHAIN ADJUSTING PLATE	1
210		NUT M6X10	1



REAR HOUSING			
REF NO.	PART NO.	DESCRIPTION	QUANTITY
211		HUB COVER.RR	2
212	Y00071	LOCKING FLANGE NUT M16	1
213		AXLE KEY	2
214	Y00072	REAR WHEEL ASS'Y R	1
215		FLANGE BOLT M8X1.25X16	6
216		AXLE COVER.R	1
217	Y00073	BEARING, 6204	2
218		FLANGE BOLT M6X16	8
219	Y00074	DISC BRAKE, RR	1
220	Y00075	REAR AXLE HUB	1
221	Y00076	ALLEN HEAD BOLT M8X1.25X10	1
222	Y00077	REAR SPROCKET	1
223	Y00078	REAR AXLE	1
224		AXLE COVER, L	1
225	Y00055	BEARING, 6202	1
226	Y00079	REAR WHEEL ASSY'L	1
227	Y00057	BEARING 6201	1
228	Y00080	LOCKING FLANGE NUT M12	1
229	Y00081	DRIVE CHAIN	1
230		MASTER LINK	1
231		RIM, RR R	1
232		RIM, RR L	1
233		LOCKING FLANGE NUT M8	6



WIRE HARNESS/ELECTRICAL/SEAT			
REF NO.	PART NO.	DESCRIPTION	QUANTITY
234	Y00082	SWITCH PANEL COVER	1
235	Y00083	ELECTRIC COVER	1
236	Y00084	ENGINE COMPLETE	1
237	Y00085	REMOTE CONTROL UNIT	1
238	Y00086	WIRE HARNESS	1
239	Y00087	ENGINE STOP BUTTON	1
240	Y00088	ENGINE START BUTTON	1
241	Y00089	KEY SWITCH	1
242	Y00090	HORN BUTTON	1
243	Y00091	SAFETY BELT	1
244	Y00092	STARTING RELAY	1
245	Y00093	REGULATOR COMP	1
246	Y00094	SEAT COMPLETE	1
247	Y00116	CHOKE CABLE	1