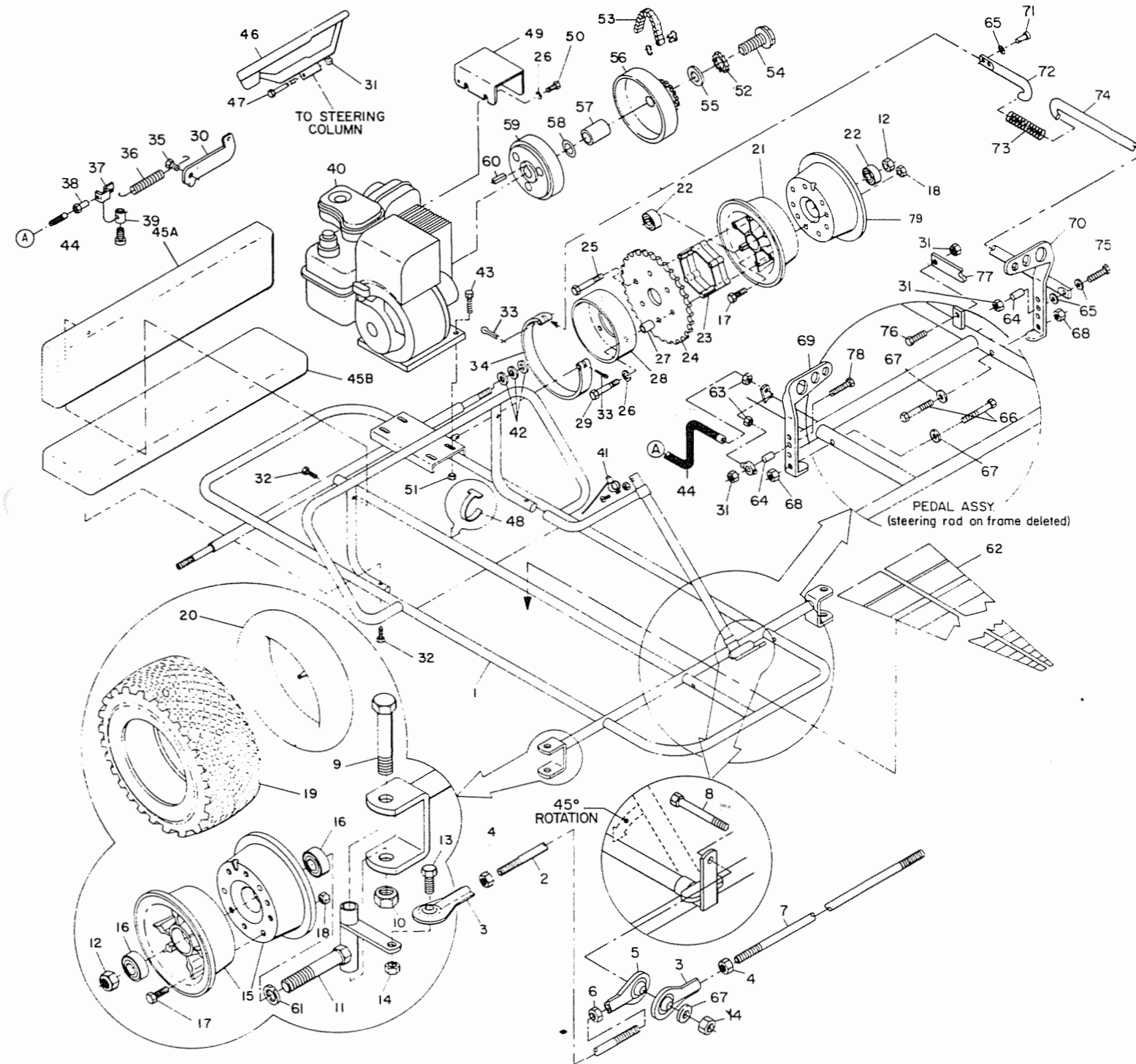


# REPAIR PARTS MODEL 215

REF. NO.	PART NO.	DESCRIPTION	REF. NO.	PART NO.	DESCRIPTION
1	1668	Frame	47	9080	Hex Head Bolt, 1/4-20x2 3/4
2	5003	R.H. Tie Rod	48	1019	TY-Wrap
3	1414	Rod End, R.H.	49	5737	Chain Guard
4	9092	Jam Nut, 3/8-24	50	9101	Hex Head Screw, 5/16-24x 1/2 Nylock
5	1415	Rod End, L.H.	51	1263	Hex Nut, Flanged Whizlock 5/16-18
6	9024	Jam Nut	52	9001	Lock Washer, 3/8 Internal-External
7	5004	L.H. Tie Rod	53	6073	Chain With Master Link
8	1174	3/8-16x1 1/4 Hex Cap Screw	54	1491	5/16-24x 3/4 Hex Head Bolt
9	1264	Hex Head Bolt, 1/2-13x3 1/2	55	1168	Washer
10	1012	UTA Locknut, 1/2-13	56	1165	Drum
11	8020	Spindle, R.H.	57	1167	Bearing With Key
12	1046	UTA Locknut, 5/8-11	58	5013	Washer
13	9070	Hex Head Bolt, 3/8-16x1 1/4	59	1166	Drive Assembly
14	9085	UTA Locknut, 3/8-16	60	1030	Key
15	5158	Wheel Half, 4" Untapped	61	1009	Flat Washer .156 Thick
16	1419	Bearing	62	5091	Pan Decal Set
17	1185	Hex Head Screw, Whizlock 1/4-20x 3/4	63	9058	Jam Nut, 5/16-24
18	1186	Hex Nut, Whizlock 1/4-20	64	1389	Bushing
19	2244	4.10/3.50x4" Stud Tread Tire	65	1854	Flat Washer, 1/4
20	1053	4" Inner Tube	66	9110	Shoulder Bolt
21	8006	Wheel Half, 5" Tapped	67	9091	Flat Washer
22	1093	Bearing	68	1189	UTA Lock Nut, 5/16-18
23	8008	Sprocket Spacer	69	8009	Brake Pedal
24	8007	Sprocket, 60 Tooth	70	8011	Throttle Pedal
25	5791	Hex Cap Screw, 5/16-18x2 1/4 SEMS	71	9118	Clevis Pin, 1/4x1 1/4
26	9030	Internal Tooth Lockwasher, 5/16	72	2379	Brake Rod - Rear
27	1354	5/16 I.D. x 3/4 Long Spacer	73	5681	Spring, Compression
28	1246	Brake Drum	74	2378	Brake Rod - Front
29	9051	Hex Cap Screw, 5/16-18x3"	75	1847	1/4-20x1" Hex Cap Screw, Grade 5
30	1320	Spring Anchor	76	1844	1/4-20x 1/2" Hex Cap Screw, Grade 5
31	9057	UTA Locknut, 1/4-20	77	1982	Pedal Latch
32	9096	Hex Head Bolt, 1/4-20x1 1/4, Whizlock	78	1846	Hex Head Bolt, 1/4-20x 3/4, Grade 5
33	9116	Cotter Pin, 3/32x 3/4	ASM.	1169	Clutch Assembly - Includes Ref. # 55-60
34	1036	Brake Band	ASM.	2243	Wheel Assembly, 4" Stud Tread - Includes Ref. No.'s 15-20
35	1321	Screw	ASM.	2247	Idler Wheel Assembly, 5" - Includes Ref. No.'s 15-18, NI-1 & NI-2
36	6185	Extension Spring	ASM.	2269	Drive Wheel Assembly - Includes Ref. No.'s 15, 17, 18, 21-29, NI-1 & NI-2
37	1285	Connector	ASM.	5019	R.H. Tie Rod Assembly - Includes Ref. No.'s 2-6 R.H. TIE ROD
38	1628	Throttle Retainer	"	5020	4.10/3.50 x 5" Stud Tread Tire
39	1018	Cable Stop With Screw	NI-1	2246	4.10/3.50 x 5" Stud Tread Tire
40	6010	Engine, 5 H.P. Briggs & Stratton	NI-2	1753	5" Inner Tube
41	1290	Stop Switch Assembly	NI	2450	Owners Manual
42	1650	Flat Washer, 5/8 Type A Narrow	NI	8021	Spindle, L.H.
43	1122	Hex Head Bolt, 5/16-18x1 1/2			
44	1390	Throttle Cable			
45A	8017	Seat Bottom			
45B	8018	Seat Back			
46	6038	Steering Wheel			

# EXPLODED VIEW MODEL 215



## ORDERING PARTS

1) Seek Part(s) from your models illustrated diagram, cross over REF# to PART#

2) Type PART# into sites [Search Box] at [GoKartsRus.com](http://GoKartsRus.com) TIP! - RIGHT CLICK LINK, SELECT OPEN IN NEW TAB

3) Add all needed parts to Shopping Cart | Complete "Checkout" | ✓ Done!

If a part does not come up in a Site Search, please [Contact Us](#) (include part# in email)

FAST & EASY!

LOWEST PRICES!