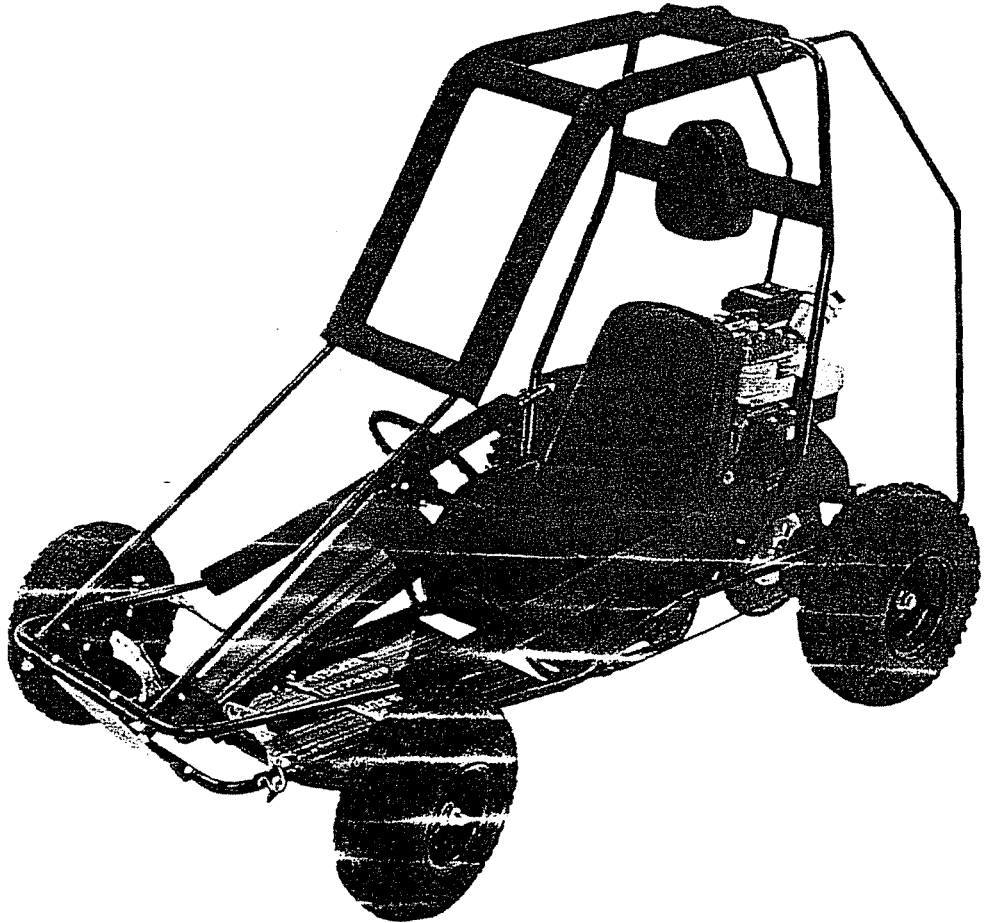


# Operator's Manual SUPPLEMENT

MODEL NO. 225-14 24

**WARNING:**  
Read Engine  
Owner's Manual,  
Vehicle Operator's  
Manual, and  
Supplement  
Carefully Before  
Operating  
Vehicle.

Parts List



## ORDERING PARTS

FAST & EASY!

- 1) Seek Part(s) from your models illustrated diagram, cross over REF# to PART#
- 2) Type PART# into sites [Search Box] at [GoKartsRus.com](http://GoKartsRus.com) TIP! - RIGHT CLICK LINK, SELECT OPEN IN NEW TAB
- 3) Add all needed parts to Shopping Cart | Complete "Checkout" | ✓ Done!

If a part does not come up in a Site Search, please [Contact Us](#) (include part# in email)

LOWEST PRICES!

BEFORE OPERATING THIS VEHICLE, THE OWNER AND/OR OPERATOR MUST UNDERSTAND THE VEHICLE WAS NOT DESIGNED OR MANUFACTURED TO MEET SPECIFICATIONS FOR USE ON PUBLIC ROADS, STREETS, HIGHWAYS, OR THOROUGHFARES AND HAVE READ AND HAVE AN UNDERSTANDING OF ALL THE INSTRUCTIONS FOR SAFE ASSEMBLY AND OPERATION AS WELL AS THE INSTRUCTIONS GOVERNING THE ENGINE AND OTHER PORTIONS OF THE VEHICLE.

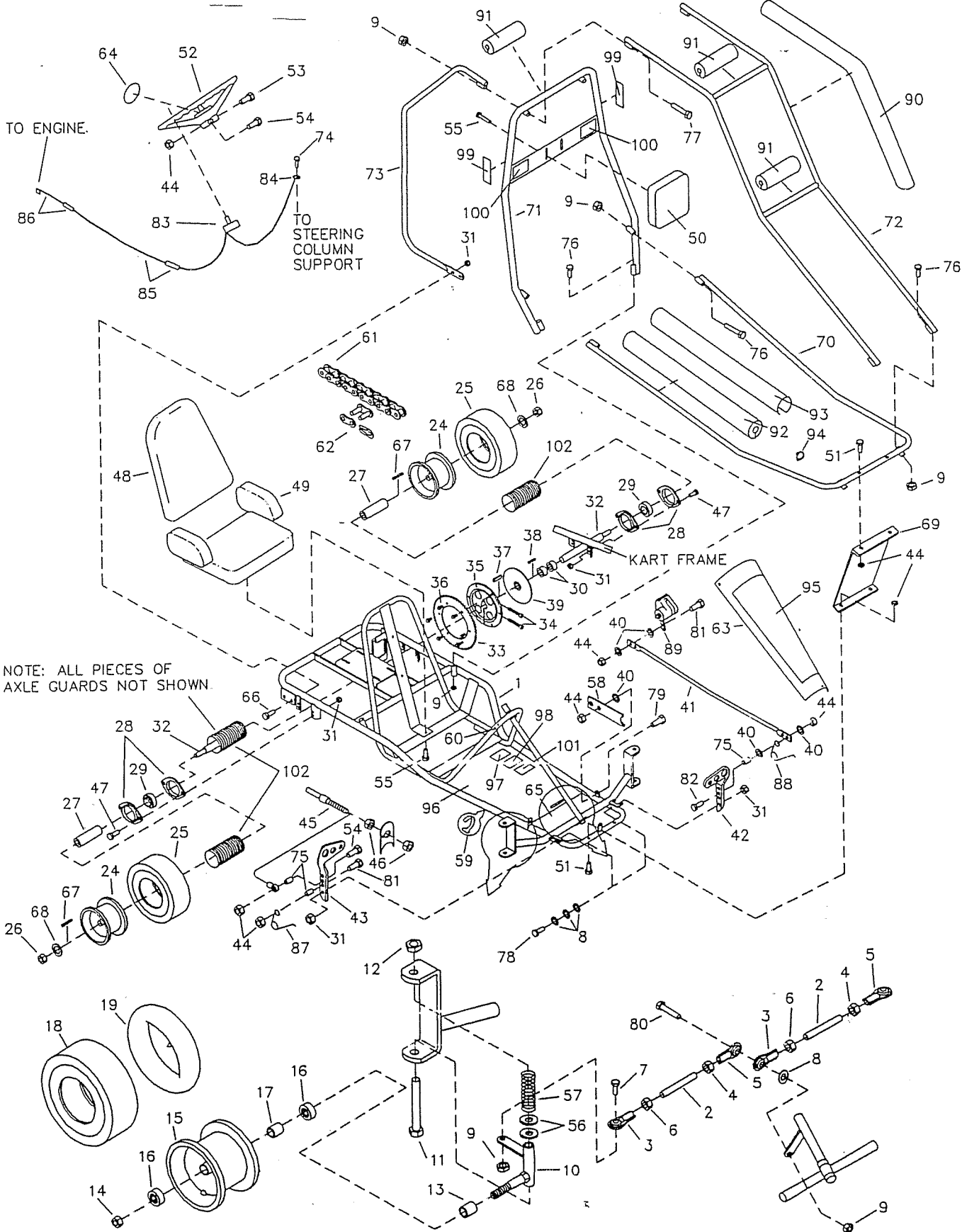
# REPAIR PARTS - MODEL 225-14

REF. NO.	PART NO.	DESCRIPTION	REF. NO.	PART NO.	DESCRIPTION
	9742-2	Frame	61	9517	Chain, #420 x 76P (incl. 62)
<b>ASM</b>	1464	Tie Rod Assembly (incl. 2-6)	62	2037	Master Link, #420
2	1465	Tie Rod	63	2257	Custom Cover
3	1415	Rod End - Left Hand Thread	64	3296	Decal, Steering Wheel
4	9092	Nut, 3/8-24 Right Hand Thread	65	1441	Scuff Pad, Floor Pan
5	1414	Rod End - Right Hand Thread	66	9176	Bolt, 5/16-18 x 1"
6	9024	Nut, 3/8-24 Left Hand Thread	67	6123	Key, 1/4" Square x 1-3/4"
7	9146	Bolt, 3/8-16 x 1-1/2"	68	1194	Washer, 3/4" Flat
8	9091	Washer, 3/8 Flat	69	1607	Front Plate
9	9085	Nut, 3/8-16 Lock	70	9748-2	Front Bar
10	2457	Spindle - Right Side	71	9746-2	Center Bar
<b>NI</b>	2458	Spindle - Left Side	72	9749-2	Overhead Bar
11	5682	Bolt, 1/2-13 x 5-1/2"	73	9747-2	Rear Upright
12	1012	Nut, 1/2-13 Toplock	74	9796	Screw, 12-24 x 1/2" Self Tapping
13	5157	Spacer, 5/8" x 3/4"	75	1389	Bushing
14	1046	Nut, 5/8-11 Toplock	76	2386	Bolt, 3/8-16 x 3-1/2"
15	9309FP	Frnt. Wheel Assembly (incl. 16-19)	77	6452	Bolt, 3/8-16 x 5"
16	5090	Bearing	78	1447	Bolt, 5/16-18 x 1-3/4" Shoulder
17	5950	Spanner	79	1846	Bolt, 1/4-20 x 3/4"
18	4915	Tire, 145/70 x 6" Kncbby	80	9145	Bolt, 3/8-16 x 1-3/4"
19	3802	Tube, 6"	81	1847	Bolt, 1/4-20 x 1"
20	_____	_____	82	1848	Bolt, 1/4-20 x 1-1/4"
21	_____	_____	<b>ASM</b>	9799	Stop Switch Asm (incl. 83-85)
22	_____	_____	83	1392	Stop Switch
23	_____	_____	84	1393	Ring Terminal
<b>ASM</b>	6289P	Rear Wheel Assembly (incl. 24,25)	85	1394	Wire, 50" with Splice Connector
24	9606	Wheel - 7" Black	86	1406	Wire, to Engine
25	9607	Tire, 16 X 8 - 7"	87	9502	Spring, Left Wound
<b>NI</b>	9609	Tube, 16 x 8.0 - 7" (Repair Part Only)	88	9503	Spring, Right Wound
26	9162	Nut, 3/4-10 Toplock	89	9597	Caliper (see Caliper Breakdown)
27	5646	Spacer, 1" ID x 2-1/4"	<b>ASM</b>	9798*	Foam Replacement Kit (incl. 90-92)
28	1760	Bearing Flange	90	9758*	Foam, 43"
29	3941	Bearing	91	9808*	Foam, 10"
30	2265	Spacer, 1" ID x 3/4"	92	9759*	Foam, 30"
31	1189	Nut, 5/16-18 Toplock	93	9856	Cover, 30" MANCO
32	9769	Axle	94	9776	Clamp, 3/4"
<b>ASM</b>	9571	Sprocket Assembly (incl. 33-36)	95	6105	Decal, Custom Cover
33	9505	Sprocket, 68 Teeth 420 Chain	96	6104	Decal, Floor Pan
34	6701	Bolt, 5/16-18 Socket Head	97	2932	Decal, Warning - No Passengers
35	6280	Sprocket Hub	98	4504	Decal, Warning - Yellow
36	1876	Bolt, 1/4-20 x 5/8" Whiz	99	6540	Decal, Warning: Wear Helmet
37	9680	Key, 1/4" x 3/8" x 1-1/4" Long	100	8138	Decal, Warning: Entanglement
38	1775	Key, 1/4" Square x 1-1/4" Long	101	8154	Decal, Age Restriction
39	9511	Brake Rotor	102	K225-14	Axle Guard Repair Kit
40	1854	Washer, #14 Flat	<b>NI</b>	2601	Engine Owner's Manual
41	9744-2	Brake Rod	<b>NI</b>	9201	Vehicle Operator's Manual
42	1436	Brake Pedal	<b>NI</b>	9247R3	Assembly Instructions
43	1437	Throttle Pedal			
44	9057	Nut, 1/4-20 Toplock			
45	1390	Throttle Cable (incl. 46)			
46	9058	Nut, 5/16-24 Jam			
47	2264	Bolt, 5/16-18 x 3/4"			
48	5159	Seat Back			
49	5160	Seat Bottom			
50	6320	Headrest Pad			
51	1849	Bolt, 1/4-20 x 1-1/2"			
52	6038	Steering Wheel			
53	9080	Bolt, 1/4-20 x 2-3/4"			
54	9160	Bolt, 1/4-20 x 7/8" with Nylock			
55	5839	Bolt, 1/4-20 x 3/4" Whiz Flange			
56	9022	Washer, 1/2" Flat			
57	5681	Spring			
58	1982	Pedal Latch			
59	1019	Ty-Wrap			
60	1463	Bushing, Plastic			

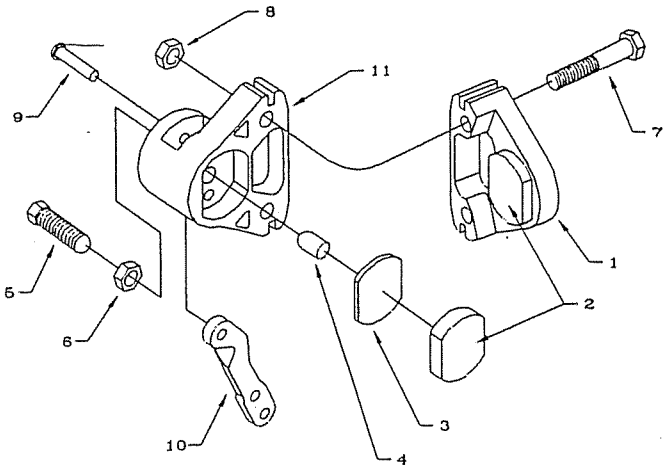
**ASM = Assembly**

**NI = Not Illustrated**

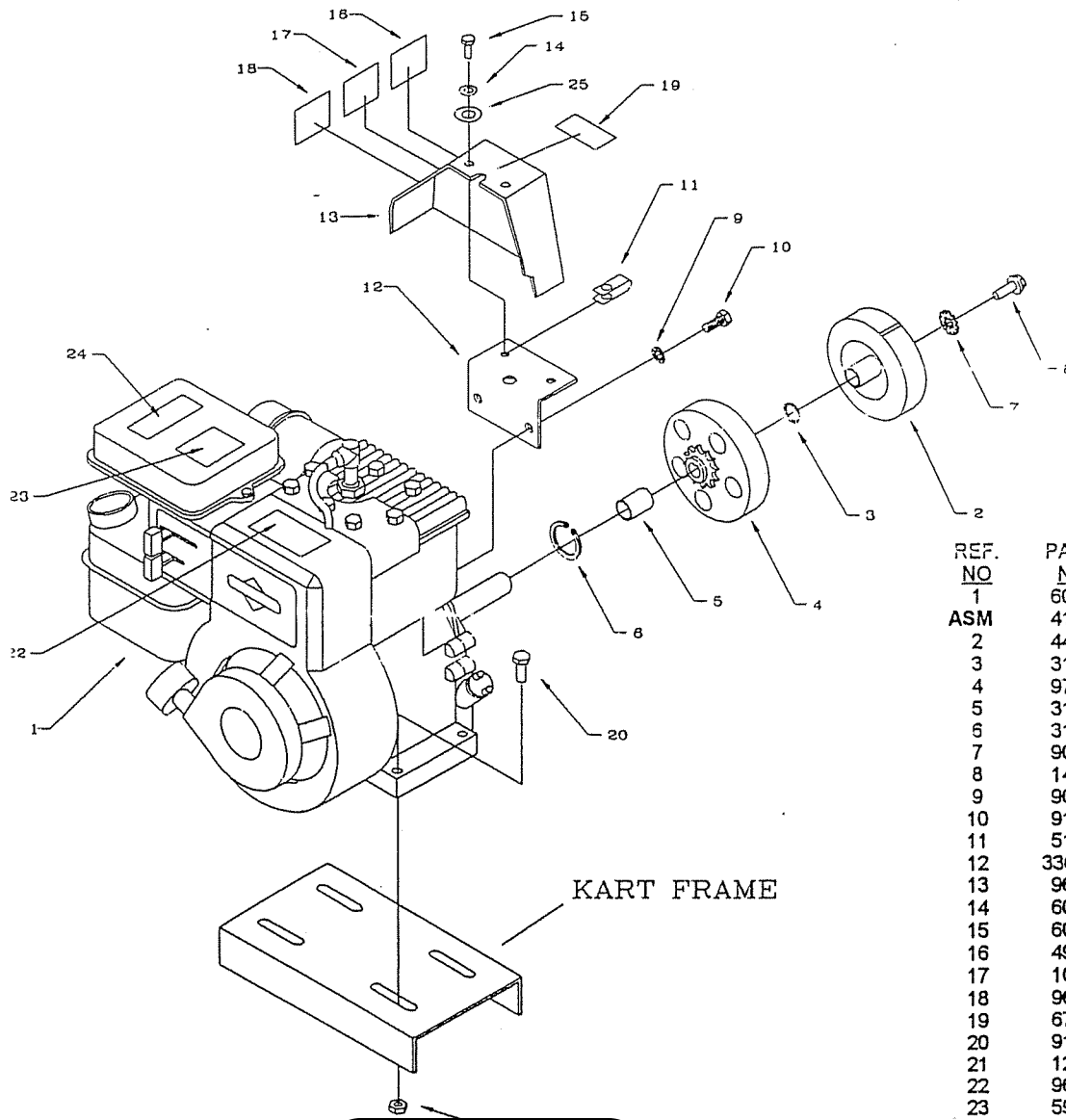
**\* = Specify Black, Pink, White, or Yellow**



## CALIPER BREAKDOWN



REF. NO	PART NO	DESCRIPTION
ASM	9597	Brake Caliper (incl. 55-65)
ASM	9810	Brake Pad Svc Kit (incl. 55-57)
1	*	Anvil w/Lining
2	*	Brake Lining
3	3928	Backing Plate
4	3930	Actuator Pin
5	3931	Adjuster Pin
6	3932	Nut, Jam
7	9158	Bolt, 3/8-16 x 2-1/4"
8	9085	Nut, 3/8-16 Toplock
ASM	6534	MB-1 Service Kit (incl. 63-65)
9	*	Groove Pin
10	*	Lever
11	*	Brake Housing



REF. NO	PART NO	DESCRIPTION
1	6010	Engine, 5hp
ASM	4195	Clutch Assembly (inc. 2-6)
2	4496	Clutch Rotor
3	3146	Washer, Fiber
4	9781	Drum w/ Sprocket (inc. 5)
5	3143	Bushing
6	3141	Snap Ring
7	9001	Washer, 3/8" Int/Ext Lock
8	1491	Bolt, 5/16-24 x .75"
9	9030	Washer, 5/16 Int/Ext Lock
10	9101	Bolt, 5/16-24 x .50"
11	5135	Clip Nut
12	3363-2	Bracket, Chainguard Mtg.
13	9699	Chainguard
14	6039	Washer, #10 Lock
15	6046	Screw, #10-24 x .50"
16	4912	Decal, Warning
17	1049	Decal, Caution
18	9610	Decal, Tire Pressure
19	6791	Decal, Oil Clutch
20	9186	Bolt, 5/16-18 x 1.50"
21	1263	Nut, 5/16-18 Whiz Flange
22	9678	Decal, Engine Exhaust
23	5964	Decal, Oil Warning
24	9677	Decal, Hot Surfaces
25	9104	Washer, No. 10 Flat

## ORDERING PARTS

- 1) Seek Part(s) from your models illustrated diagram, cross over REF# to PART#
- 2) Type PART# into sites [Search Box] at [GoKartsRus.com](http://GoKartsRus.com) TIP: - RIGHT CLICK LINK, SELECT OPEN IN NEW TAB
- 3) Add all needed parts to Shopping Cart | Complete "Checkout" | ✓ Done!

If a part does not come up in a Site Search, please [Contact Us](#) (include part# in email)

\* = Not Available Separately  
 ASM = Assembly  
 NI = Not Illustrated

**FAST & EASY!**

**LOWEST PRICES!**