

# Operator's Manual SUPPLEMENT

MODEL NO.  
285-191  
285-192

**WARNING:**  
Read Engine  
Owner's Manual,  
Vehicle Operator's  
Manual, and  
Supplement  
Carefully Before  
Operating  
Vehicle.

Parts List



(Unit pictured is 285-18)

## ORDERING PARTS

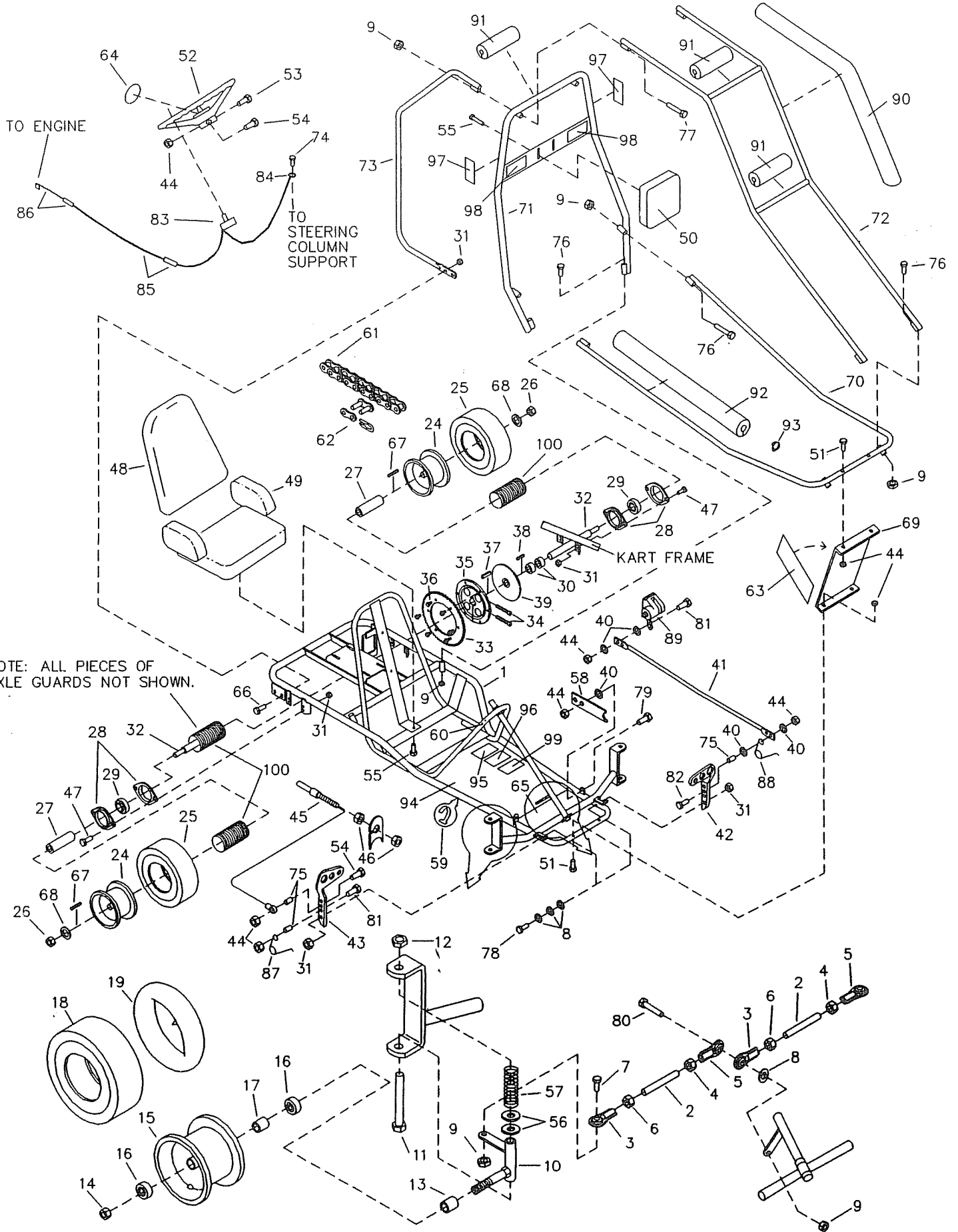
FAST & EASY!

- 1) Seek Part(s) from your models illustrated diagram, cross over REF# to PART#
- 2) Type PART# into sites [Search Box] at [GoKartsRus.com](http://GoKartsRus.com) TIP! - RIGHT CLICK LINK, SELECT OPEN IN NEW TAB
- 3) Add all needed parts to Shopping Cart | Complete "Checkout" | ✓ Done!

If a part does not come up in a Site Search, please [Contact Us](#) (include part# in email)

LOWEST PRICES!

BEFORE OPERATING THIS VEHICLE, THE OWNER AND/OR OPERATOR MUST UNDERSTAND THE VEHICLE WAS NOT DESIGNED OR MANUFACTURED TO MEET SPECIFICATIONS FOR USE ON PUBLIC ROADS, STREETS, HIGHWAYS, OR THOROUGHFARES AND HAVE READ AND HAVE AN UNDERSTANDING OF ALL THE INSTRUCTIONS FOR SAFE ASSEMBLY AND OPERATION AS WELL AS THE INSTRUCTIONS GOVERNING THE ENGINE AND OTHER PORTIONS OF THE VEHICLE.



## REPAIR PARTS - MODEL 285-191-192

REF. NO.	PART NO.	DESCRIPTION	REF. NO.	PART NO.	DESCRIPTION
	1	9741-19	61	9514	Chain, #420 x 62P (incl. 62)
ASM	1464	Tie Rod Assembly (incl. 2-6)	62	2037	Master Link, #420
2	1465	Tie Rod	63	9341	Decal, Front Plate
3	1415	Rod End - Left Hand Thread	64	5946	Decal, Steering Wheel
4	9092	Nut, 3/8-24 Right Hand Thread	65	1441	Scuff Pad, Floor Pan
5	1414	Rod End - Right Hand Thread	66	9176	Bolt, 5/16-18 x 1"
6	9024	Nut, 3/8-24 Left Hand Thread	67	6123	Key, 1/4" Square x 1-3/4"
7	9146	Bolt, 3/8-16 x 1-1/2"	68	1194	Washer, 3/4" Flat
8	9091	Washer, 3/8 Flat	69	1607	Front Plate
9	9085	Nut, 3/8-16 Lock	70	9748-2	Front Bar
10	2457	Spindle - Right Side	71	9746-2	Center Bar
NI	2458	Spindle - Left Side	72	9749-2	Overhead Bar
11	5682	Bolt, 1/2-13 x 5-1/2"	73	9747-2	Rear Upright
12	1012	Nut, 1/2-13 Toplock	74	9796	Screw, 12-24 x 1/2" Self Tapping
13	5157	Spacer, 5/8" x 3/4"	75	1389	Bushing
14	1046	Nut, 5/8-11 Toplock	76	2386	Bolt, 3/8-16 x 3-1/2"
15	9509P	Frt. Wheel Assembly (incl. 16-19)	77	6452	Bolt, 3/8-16 x 5"
16	5090	Bearing	78	1447	Bolt, 5/16-18 x 1-3/4" Shoulder
17	5950	Spanner	79	1846	Bolt, 1/4-20 x 3/4"
18	4915	Tire, 145/70 x 6" Knobby	80	9145	Bolt, 3/8-16 x 1-3/4"
19	3802	Tube, 6"	81	1847	Bolt, 1/4-20 x 1"
20	_____	_____	82	1848	Bolt, 1/4-20 x 1-1/4"
21	_____	_____	ASM	9799	Stop Switch Asm (incl. 83-85)
22	_____	_____	83	1392	Stop Switch
23	_____	_____	84	1393	Ring Terminal
ASM	3554	Rear Wheel Assembly (incl. 24,25)	85	1394	Wire, 50" with Splice Connector
24	3552	Wheel - 8" Gold	86	1406	Wire, to Engine
25	3548	Tire, 18/9.5 x 8"	87	9502	Spring, Left Wound
NI	1430	Tube, 8" (Repair Part Only)	88	9503	Spring, Right Wound
26	9162	Nut, 3/4-10 Toplock	89	9597	Caliper (see Caliper Breakdown)
27	1448	Spacer, 1" ID x 3-9/16"	ASM	9798*	Foam Replacement Kit (incl. 90-92)
28	1760	Bearing Flange	90	9758*	Foam, 43"
29	3941	Bearing	91	9808*	Foam, 10"
30	2265	Spacer, 1" ID x 3/4"	92	9759*	Foam, 30"
31	1189	Nut, 5/16-18 Toplock	93	9776	Clamp, 3/4"
32	9740	Axle	94	9361	Decal, Floor Pan
ASM	6420	Sprocket Assembly (incl. 33-36)	95	2832	Decal, Warning - No Passengers
33	6282	Sprocket, 54 Teeth 420 Chain	96	4504	Decal, Warning - Yellow
34	6701	Bolt, 5/16-18 Socket Head	97	6540	Decal, Warning: Wear Helmet
35	6280	Sprocket Hub	98	8138	Decal, Warning: Entanglement
36	1876	Bolt, 1/4-20 x 5/8" Whiz	99	8154	Decal, Age Restriction
37	9680	Key, 1/4" x 3/8" x 1-1/4" Long	100	K285-18	Axle Guard Repair Kit
38	1775	Key, 1/4" Square x 1-1/4" Long	NI	2684D	Engine Owner's Manual (285-191)
39	9511	Brake Rotor	NI	2684E	Engine Owner's Manual (285-192)
40	1854	Washer, #14 Flat	NI	6477	Vehicle Operator's Manual
41	9744-2	Brake Rod	NI	9247R4	Assembly Instructions
42	1436	Brake Pedal			
43	1437	Throttle Pedal			
44	9057	Nut, 1/4-20 Toplock			
45	1390	Throttle Cable (incl. 46)			
46	9058	Nut, 5/16-24 Jam			
47	2264	Bolt, 5/16-18 x 3/4"			
48	5159	Seat Back			
49	5160	Seat Bottom			
50	6320	Headrest Pad			
51	1849	Bolt, 1/4-20 x 1-1/2"			
52	6038	Steering Wheel			
53	9080	Bolt, 1/4-20 x 2-3/4"			
54	9160	Bolt, 1/4-20 x 7/8" with Nylock			
55	5839	Bolt, 1/4-20 x 3/4" Whiz Flange			
56	9022	Washer, 1/2" Flat			
57	5681	Spring			
58	1982	Pedal Latch			
59	1019	Ty-Wrap			
60	1463	Bushing, Plastic			

ASM = Assembly

NI = Not Illustrated

\* = Specify Black, Pink, White, or Yellow

### ORDERING PARTS

1) Seek Part(s) from your models illustrated diagram, cross over REF# to PART#

2) Type PART# into sites [Search Box] at [GoKartsRus.com](http://GoKartsRus.com) TIP! - RIGHT CLICK LINK, SELECT OPEN IN NEW TAB

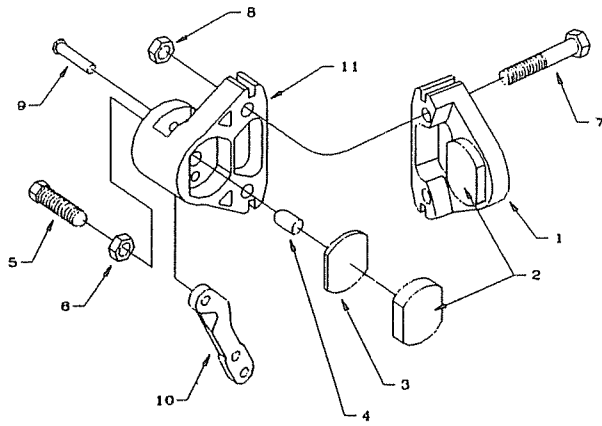
3) Add all needed parts to Shopping Cart | Complete "Checkout" |  Done!

If a part does not come up in a Site Search, please [Contact Us](#) (include part# in email)

FAST & EASY!

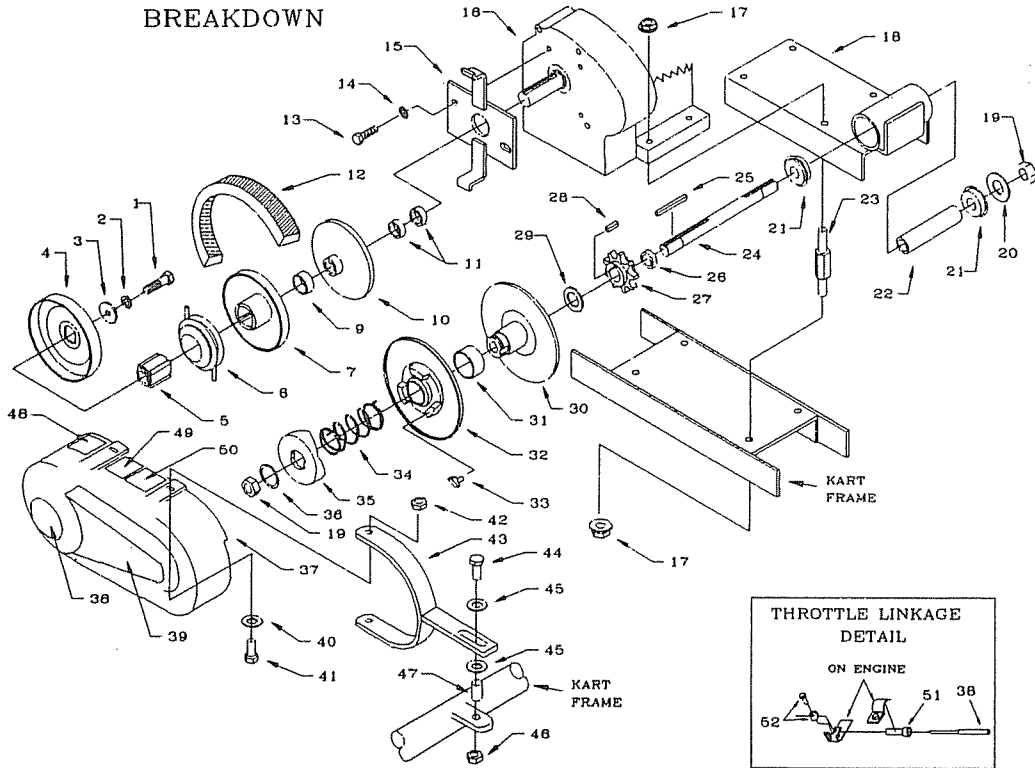
LOWEST PRICES!

### CALIPER BREAKDOWN



REF. NO	PART NO	DESCRIPTION
ASM	9597	Brake Caliper (incl. 1-11)
ASM	9810	Brake Pad Svc Kit (incl. 1-3)
1	*	Anvil w/Lining
2	*	Brake Lining
3	3928	Backing Plate
4	3930	Actuator Pin
5	3931	Adjuster Pin
6	3932	Nut, Jam
7	9158	Bolt, 3/8-16 x 2-1/4"
8	9085	Nut, 3/8-16 Toplock
ASM	6534	MB-1 Service Kit (incl. 9-11)
9	*	Groove Pin
10	*	Lever
11	*	Brake Housing

### TORQUE CONVERTER BREAKDOWN



REF. NO	PART NO	DESCRIPTION
1	1454	Bolt, 5/16-24 x 1.75"
2	1124	Washer, 5/16 Split Lock
3	1398	Washer, Flat
ASM	5957	Driver Pulley Assembly (incl. REF. 4-10)
4	*	Drum
5	*	Hub
6	*	Shoe Assembly
7	*	Moveable Sheave
9	200349	Bushing
10	*	Stationary Sheave
11	1442	Spacer, 3/4ID x .250"
12	5959	Belt, Asymmetrical
13	9101	Bolt, 5/16-24 x .5"
14	9030	Washer, 5/16 Interlock
15	1494	Mounting Bracket
16	9661	Engine, 5hp (285-191)
	9737	Engine, 5.5hp (285-192)
17	1263	Nut, 5/16-18 Flange
18	1110	Chassis
19	1136	Nut, 5/8-18 Top Lock

REF. NO	PART NO	DESCRIPTION
20	1469	Spacer, 5/8ID x .062"
21	5090	Bearing
22	1116	Spanner
23	1356	Stud
24	1118	Jackshaft
25	3403	Key, 3/16sq x 2"
26	1937	Spacer, 5/8ID x .25"
27	1125s	Sprocket, 9T #420
28	1031	Key, 3/16sq x .5"
29	1119	Spacer, 5/8ID x .125"
ASM	5958	Driven Pulley Assembly (incl. REF. 30-36)
30	*	Stationary Sheave
31	*	Bushing
32	*	Moveable Sheave
33	6804	Button, Nylon
34	6805	Spring
35	*	Cam
36	2477	Retaining Ring
37	1542	Cover
38	1390	Throttle Cable

REF. NO	PART NO	DESCRIPTION
39	9333	Decal
40	2279	Washer, #8 Flat
41	2277	Screw, #8 x .5"
42	2278	Nut, #8 Lock
43	1537-2	Bracket
44	1846	Bolt, 1/4-20 x .75"
45	1854	Washer, 1/4 Flat
46	9057	Nut, 1/4-20 Lock
47	1389	Bushing
48	6958	Decal, Tire Pressure
49	4912	Decal, Warning: This Guard...
50	1049	Decal, Warning: ...Drive Cover
51	1628	Throttle Cable Retainer
52	1018	Throttle Cable Stop
NI	9677	Decal, Hot Surfaces
NI	9678	Decal, Engine Exhaust
NI	5964	Decal, Oil Warning

\* = Not Available Separately  
 ASM = Assembly  
 NI = Not Illustrated