

Operator's Manual SUPPLEMENT

MANCO MODEL NO.
286-182E

286-182Y }
286-182P } no electric

WARNING:
Read Engine
Owner's Manual,
Vehicle Operator's
Manual, and
Supplement
Carefully Before
Operating
Vehicle.

Parts List



ORDERING PARTS

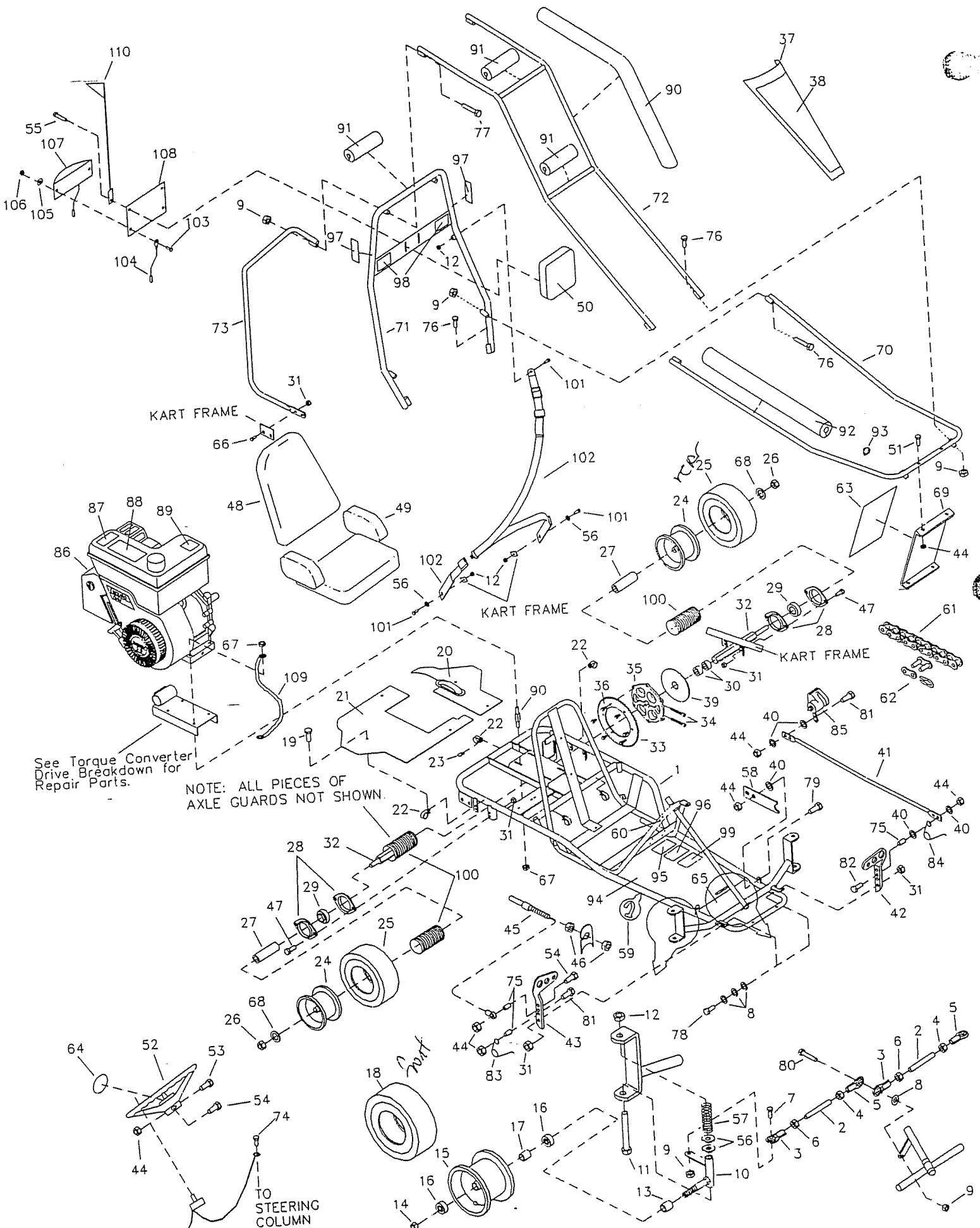
FAST & EASY!

- 1) Seek Part(s) from your models illustrated diagram, cross over REF# to PART#
- 2) Type PART# into sites [Search Box] at GoKartsRus.com TIP! - RIGHT CLICK LINK, SELECT OPEN IN NEW TAB
- 3) Add all needed parts to Shopping Cart | Complete "Checkout" | Done!

If a part does not come up in a Site Search, please [Contact Us](#) (include part# in email)

LOWEST PRICES!

BEFORE OPERATING THIS VEHICLE, THE OWNER AND/OR OPERATOR MUST UNDERSTAND THE VEHICLE WAS NOT DESIGNED OR MANUFACTURED TO MEET SPECIFICATIONS FOR USE ON PUBLIC ROADS, STREETS, HIGHWAYS, OR THOROUGHFARES AND HAVE READ AND HAVE AN UNDERSTANDING OF ALL THE INSTRUCTIONS FOR SAFE ASSEMBLY AND OPERATION AS WELL AS THE INSTRUCTIONS GOVERNING THE ENGINE AND OTHER PORTIONS OF THE VEHICLE.



See Torque Converter Drive Breakdown for Repair Parts.

NOTE: ALL PIECES OF AXLE GUARDS NOT SHOWN.

SEE WIRING DIAGRAM

TO STEERING COLUMN SUPPORT

REPAIR PARTS - MODEL 286-182E

| REF. NO. | PART NO. | DESCRIPTION | REF. NO. | PART NO. | DESCRIPTION |
|----------|----------|------------------------------------|----------|----------|-------------------------------------|
| | | Frame-- | 60 | 1463 | Bushing, Plastic |
| 1 | 9741-2 | Tie Rod Assembly (incl. 2-6) | 61 | 9514 | Chain, #420 x 62P (incl. 62) |
| ASM | 1464 | Tie Rod | 62 | 2037 | Master Link, #420 |
| 2 | 1465 | Rod End - Left Hand Thread | 63 | 9341 | Decal, Front Plate |
| 3 | 1415 | Nut, 3/8-24 Right Hand Thread | 64 | 5946 | Decal, Steering Wheel |
| 4 | 9092 | Rod End - Right Hand Thread | 65 | 1441 | Scuff Pad, Floor Pan |
| 5 | 1414 | Nut, 3/8-24 Left Hand Thread | 66 | 9176 | Bolt, 5/16-18 x 1" |
| 6 | 9024 | Bolt, 3/8-16 x 1-1/2" | 67 | 1263 | Nut, 5/16-18 Whiz Flange |
| 7 | 9146 | Washer, 3/8 Flat | 68 | 1194 | Washer, 3/4" Flat |
| 8 | 9091 | Nut, 3/8-16 Lock | 69 | 1607 | Front Plate |
| 9 | 9085 | Spindle - Right Side | 70 | 9748-2 | Front Bar |
| 10 | 2457 | Spindle - Left Side | 71 | 9746-2 | Center Bar |
| NI | 2458 | Bolt, 1/2-13 x 5-1/2" | 72 | 9749-2 | Overhead Bar |
| 11 | 5682 | Nut, 1/2-13 Toplock | 73 | 9747-2 | Rear Upright |
| 12 | 1012 | Spacer, 5/8" x 3/4" | 74 | 9796 | Screw, 12-24 x 1/2" Self Tapping |
| 13 | 5157 | Nut, 5/8-11 Toplock | 75 | 1389 | Bushing |
| 14 | 1046 | Frnt. Wheel Assembly (incl. 16-18) | 76 | 2386 | Bolt, 3/8-16 x 3-1/2" |
| 15 | 9509P | Bearing | 77 | 6452 | Bolt, 3/8-16 x 5" |
| 16 | 5090 | Spanner | 78 | 1447 | Bolt, 5/16-18 x 1-3/4" Shoulder |
| 17 | 5950 | Tire, 145/70 x 6" Knobby | 79 | 1846 | Bolt, 1/4-20 x 3/4" |
| 18 | 4915 | Tube, 6" (Repair Part Only) | 80 | 9145 | Bolt, 3/8-16 x 1-3/4" |
| NI | 3802 | Bolt, 1/4-20 x 5/8" Whiz Flange | 81 | 1847 | Bolt, 1/4-20 x 1" |
| 19 | 1876 | Deck Cover, Left | 82 | 1848 | Bolt, 1/4-20 x 1-1/4" |
| 20 | 8247 | Deck Cover, Right | 83 | 9502 | Spring, Left Wound |
| 21 | 8928 | Loop Clip | 84 | 9503 | Spring, Right Wound |
| 22 | 8266 | Nut, Tinnerman | 85 | 9597 | Caliper (see Caliper Breakdown) |
| 23 | 8227 | Rear Wheel Assembly (incl. 24,25) | 86 | 8224 | Engine, Tecumseh 6hp Electric Start |
| ASM | 3554H | Wheel - 8" Gold | 87 | 9677 | Decal, Warning: Hot Surfaces |
| 24 | 3552 | Tire, 18/9.5 x 8" | 88 | 9678 | Decal, Warning: Engine Exhaust |
| 25 | 3548 | Tube, 8" (Repair Part Only) | 89 | 5964 | Decal, Warning: Shipped w/o Oil |
| NI | 1430 | Nut, 3/4-10 Toplock | ASM | 9798* | Foam Replacement Kit (incl. 90-92) |
| 26 | 9162 | Spacer, 1" ID x 3-9/16" | 90 | 9758* | Foam, 43" |
| 27 | 1448 | Bearing Flange | 91 | 9808* | Foam, 10" |
| 28 | 1760 | Bearing | 92 | 9759* | Foam, 30" |
| 29 | 3941 | Spacer, 1" ID x 3/4" | 93 | 9776 | Clamp, 3/4" |
| 30 | 2265 | Nut, 5/16-18 Toplock | 94 | 9361 | Decal, Floor Pan |
| 31 | 1189 | Axle | 95 | 2832 | Decal, Warning - No Passengers |
| 32 | 9740H | Sprocket Assembly (incl. 33-36) | 96 | 4504 | Decal, Warning - Yellow |
| ASM | 6420H | Sprocket, 54 Teeth 420 Chain | 97 | 6540 | Decal, Warning: Wear Helmet |
| 33 | 6282 | Bolt, 5/16-18 Socket Head | 98 | 8138 | Decal, Warning: Entanglement |
| 34 | 6701 | Sprocket Hub | 99 | 8154 | Decal, Age Restriction |
| 35 | 6280H | Bolt, 1/4-20 x 1/2" Whiz Flange | 100 | K285-18 | Axle Guard Repair Kit |
| 36 | 9006 | Custom Cover | 101 | 9188 | Bolt, 1/2-13 x 1-1/4" |
| 37 | 2257 | Decal, Fairing Flames | 102 | 8373 | Seat Belt, Shoulder/Lap |
| 38 | 8404 | Brake Rotor | 103 | 9106 | Bolt, #10-32 x 1/2" |
| 39 | 9511H | Washer, #14 Flat | 104 | 6319 | Tail Light Ground Wire |
| 40 | 1854 | Brake Rod | 105 | 6039 | Washer, #10 Internal Lock |
| 41 | 9744-2 | Brake Pedal | 106 | 6193 | Nut, #10-32 Acorn |
| 42 | 1436 | Throttle Pedal | 107 | 6508 | Tail Light Asm |
| 43 | 1437 | Nut, 1/4-20 Toplock | 108 | 6305-2 | Tail Light Bracket |
| 44 | 9057 | Throttle Cable (incl. 46) | 109 | 8868 | Battery Cable, 13-1/2" |
| 45 | 8252 | Nut, 5/16-24 Jam | 110 | 8445 | Safety Flag |
| 46 | 9058 | Bolt, 5/16-18 x 3/4" | NI | 8407 | Wheel Cover, 6" |
| 47 | 2264 | Seat Back | NI | 8408 | Wheel Cover, 8" |
| 48 | 5159 | Seat Bottom | NI | 2684D | Engine Owner's Manual (285-191) |
| 49 | 5160 | Headrest Pad | NI | 2684E | Engine Owner's Manual (285-192) |
| 50 | 6320 | Bolt, 1/4-20 x 1-1/2" | NI | 6477 | Vehicle Operator's Manual |
| 51 | 1849 | Steering Wheel | NI | 9247R4 | Assembly Instructions |
| 52 | 6038 | Bolt, 1/4-20 x 2-3/4" | | | |
| 53 | 9080 | Bolt, 1/4-20 x 7/8" with Nylock | | | |
| 54 | 9160 | Bolt, 1/4-20 x 3/4" Whiz Flange | | | |
| 55 | 5839 | Washer, 1/2" Flat | | | |
| 56 | 9022 | Spring | | | |
| 57 | 5681 | Pedal Latch | | | |
| 58 | 1982 | Ty-Wrap | | | |
| 59 | 1019 | | | | |

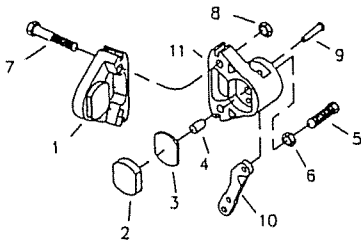
ASM = Assembly

NI = Not Illustrated

* = Specify Black, Pink, White, or Yellow

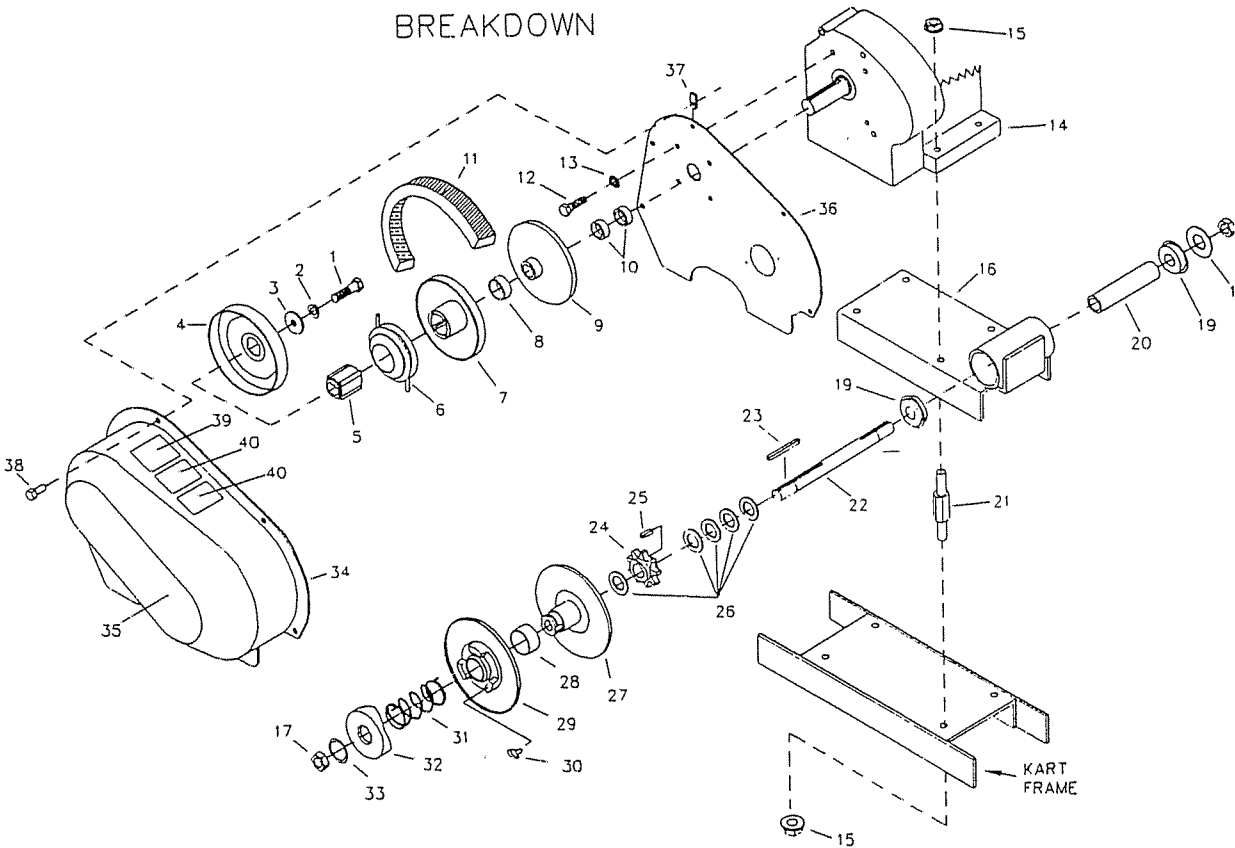
8630 Yellow

Brake Caliper Breakdown



| REF. NO | PART NO | DESCRIPTION |
|---------|---------|-------------------------------|
| ASM | 9597 | Brake Callper (Incl. 1-11) |
| ASM | 9810 | Brake Pad Svc Kit (Incl. 1-3) |
| 1 | . | Anvil w/Lining |
| 2 | . | Brake Lining |
| 3 | 3928 | Backing Plate |
| 4 | 3930 | Actuator Pin |
| 5 | 3931 | Adjuster Pin |
| 6 | 3932 | Nut, Jam |
| 7 | 9158 | Bolt, 3/8-16 x 2-1/4" |
| 8 | 9085 | Nut, 3/8-16 Toplock |
| ASM | 6534 | MB-1 Service Kit (incl. 9-11) |
| 9 | . | Groove Pin |
| 10 | . | Lever |
| 11 | . | Brake Housing |

TORQUE CONVERTER BREAKDOWN

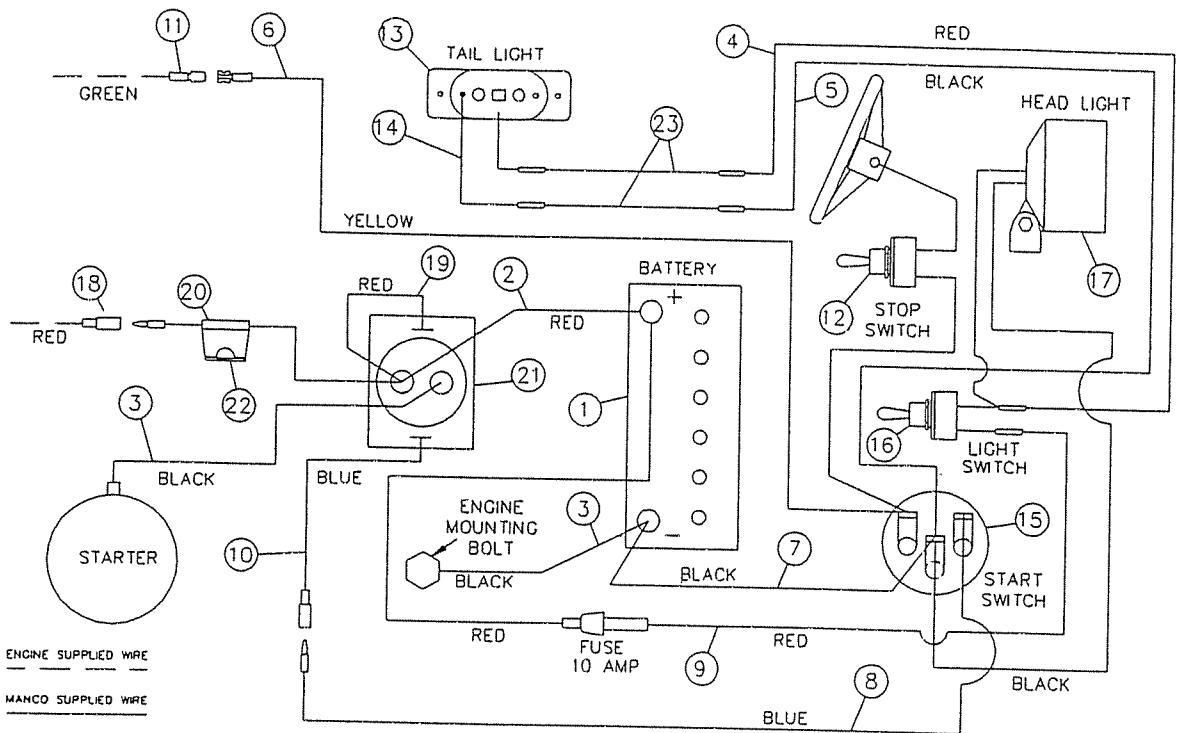


| REF. NO | PART NO | DESCRIPTION | REF. NO | PART NO | DESCRIPTION | REF. NO | PART NO | DESCRIPTION |
|---------|---------|---|---------|---------|---|---------|---------|--------------------------------|
| 1 | 8204 | Bolt, 5/16-24 x 1-1/4" | 18 | 1469 | Spacer, 5/8ID x .062" | 35 | 8403 | Decal |
| 2 | 1124 | Washer, 5/16 Split Lock | 19 | 5090 | Bearing | 36 | 8188 | Cover Plate |
| 3 | 1398 | Washer, Flat | 20 | 1116 | Spanner | 37 | 2449 | Nut, Tinnerman |
| ASM | 5957 | Driver Pulley Assembly (incl. REF. 4 - 9) | 21 | 1356 | Stud | 38 | 9006 | Bolt, 1/4-20 x 1/2" |
| 4 | . | Drum | 22 | 1118 | Jackshaft | 39 | 6958 | Decal, Tire Pressure |
| 5 | . | Hub | 23 | 3403 | Key, 3/16sq x 2" | 40 | 4912 | Decal, Warning: This Guard... |
| 6 | . | Shoe Assembly | 24 | 1125s | Sprocket, 9T #420 | 41 | 1049 | Decal, Warning: ...Drive Cover |
| 7 | . | Moveable Sheave | 25 | 1031 | Key, 3/16sq x 1/2" | NI | 1018 | Throttle Cable Stop |
| 8 | 200349 | Bushing | ASM | 5958 | Driven Pulley Assembly (incl. REF. 30 - 36) | | | |
| 9 | . | Stationary Sheave | 27 | . | Stationary Sheave | | | |
| 10 | 1938 | Spacer, 3/4ID x 3/8" | 28 | . | Bushing | | | |
| 11 | 5959 | Belt, Asymmetrical | 29 | . | Moveable Sheave | | | |
| 12 | 9101 | Bolt, 5/16-24 x 1/2" | 30 | 6804 | Button, Nylon | | | |
| 13 | 9060 | Washer, 5/16 Flat | 31 | 6805 | Spring | | | |
| 14 | 8224 | Engine, Tecumseh 6hp | 32 | . | Cam | | | |
| 15 | 1263 | Nut, 5/16-18 Flange | 33 | 2477 | Retaining Ring | | | |
| 16 | 1110 | Chassis | 34 | 1642 | Cover | | | |
| 17 | 1136 | Nut, 5/8-18 Top Lock | | | | | | |

* = Not Available Separately
 ASM = Assembly
 NI = Not Illustrated

8187

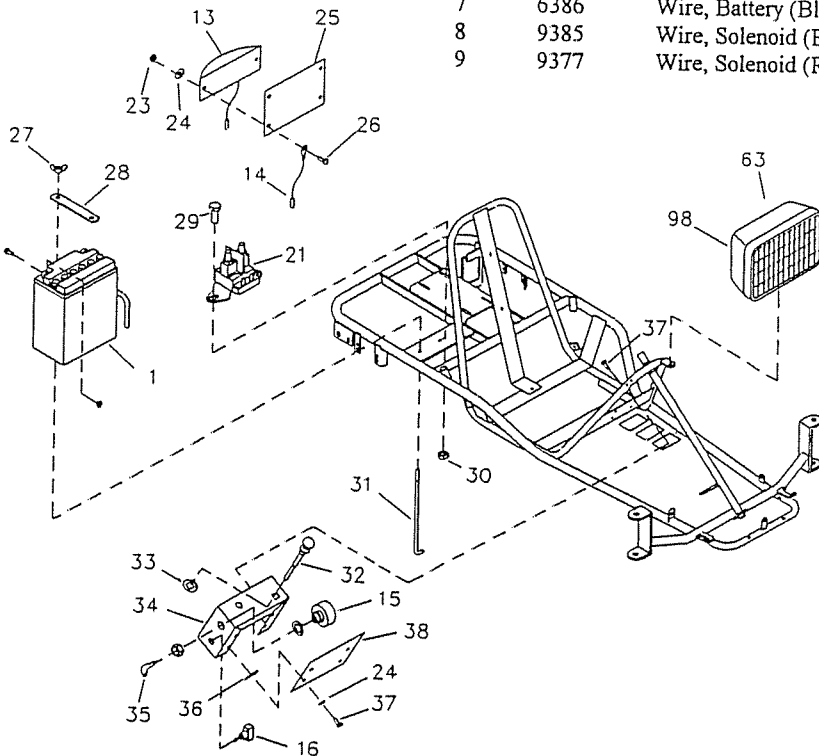
Wiring Diagram



ENGINE SUPPLIED WIRE
 MANCO SUPPLIED WIRE

| Ref. No. | Part No. | Description |
|----------|----------|------------------------------|
| 1 | 3633 | Battery |
| 2 | 3610 | Battery Cable, Red |
| 3 | 8868 | Battery Cable, Black |
| ASM | 9376P | Wiring Harness (incl. 4 - 9) |
| 4 | 9379 | Wire, Taillight (Red) |
| 5 | 9381 | Wire, Taillight (Black) |
| 6 | 9383 | Wire, Engine (Yellow) |
| 7 | 6386 | Wire, Battery (Black) |
| 8 | 9385 | Wire, Solenoid (Blue) |
| 9 | 9377 | Wire, Solenoid (Red) |

| Ref. No. | Part No. | Description |
|----------|----------|-----------------------|
| 10 | 8281 | Start Wire Adapter |
| 11 | 8108 | Terminal, Male Tab |
| NI | 6505 | Poly Loom 43" |
| NI | 6897 | Poly Loom 28" |
| NI | 6763 | Poly Loom "Tee" |
| NI | 6813 | Poly Loom "Outlet" |
| 12 | 6394 | Stop Switch Asm |
| 13 | 6508 | Taillight Asm |
| 14 | 6319 | Wire, Taillight Gnd |
| 15 | 6344 | Start Switch |
| 16 | 6391 | Light Switch Asm |
| 17 | 6364 | Headlight Asm |
| NI | 2964 | Headlight Bulb |
| 18 | 5952 | Terminal, Bullet |
| 19 | 2093 | Solenoid Jumper Wire |
| 20 | 8216 | Fuse Asm, 15 Amp |
| 21 | 2084 | Solenoid |
| 22 | 8202 | Fuse, 15 Amp |
| NI | 9389 | Fuse, 10 Amp |
| 23 | 6193 | Nut, #10-32 Acorn |
| 24 | 6039 | Washer, #10 Int Lock |
| 25 | 6305-2 | Taillight Bracket |
| 26 | 9106 | Bolt, #10-32 x 1/2" |
| 27 | 9468 | Nut, #10-32 Wing |
| 28 | 9642-2 | Battery Clamp Bar |
| 29 | 1846 | Bolt, 1/4-20 x 3/4" |
| 30 | 9067 | Nut, 1/4-20 |
| 31 | 9430 | Battery Hold Down Rod |
| 32 | 6920 | Choke Cable |
| 33 | 6353 | Washer, Square Hole |
| 34 | 6296-2 | Control Box |
| 35 | 2290 | Ignition Key |
| 36 | 5135 | Nut, Tinnerman |
| 37 | 6046 | Bolt, #10-24 x 1/2" |
| 38 | 9528-2 | Cover Plate |



REF. NO.

1
 ASI
 2
 3

-A