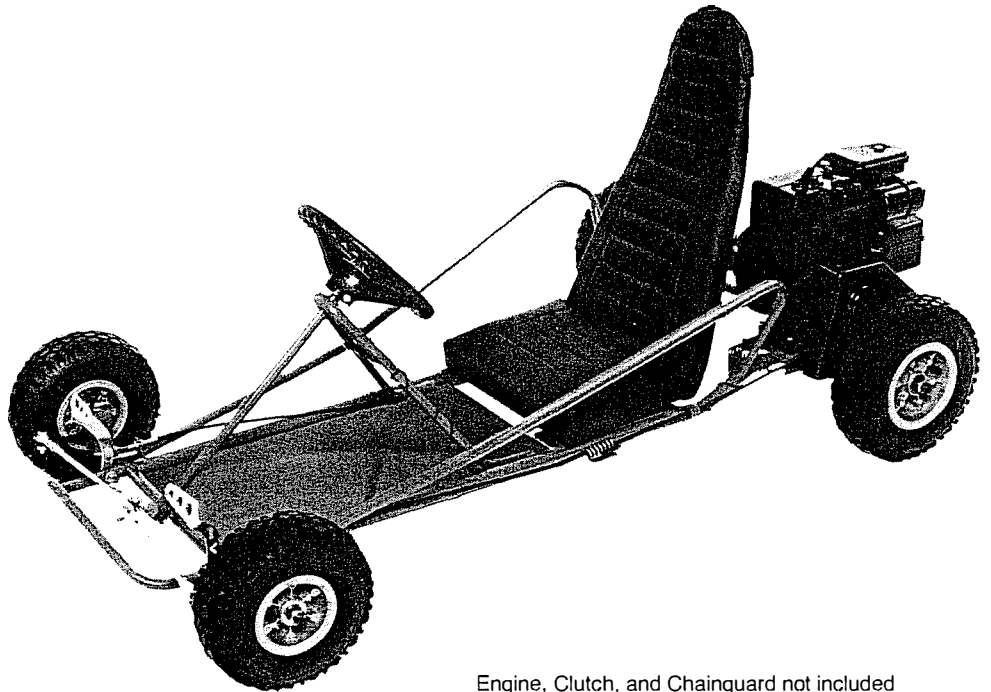


Operator's Manual SUPPLEMENT

MANCO MODEL NO.
297

WARNING:
Read Engine
Owner's Manual,
Vehicle Operator's
Manual, and
Supplement
Carefully Before
Operating
Vehicle.

Parts List



Engine, Clutch, and Chainguard not included

ORDERING PARTS

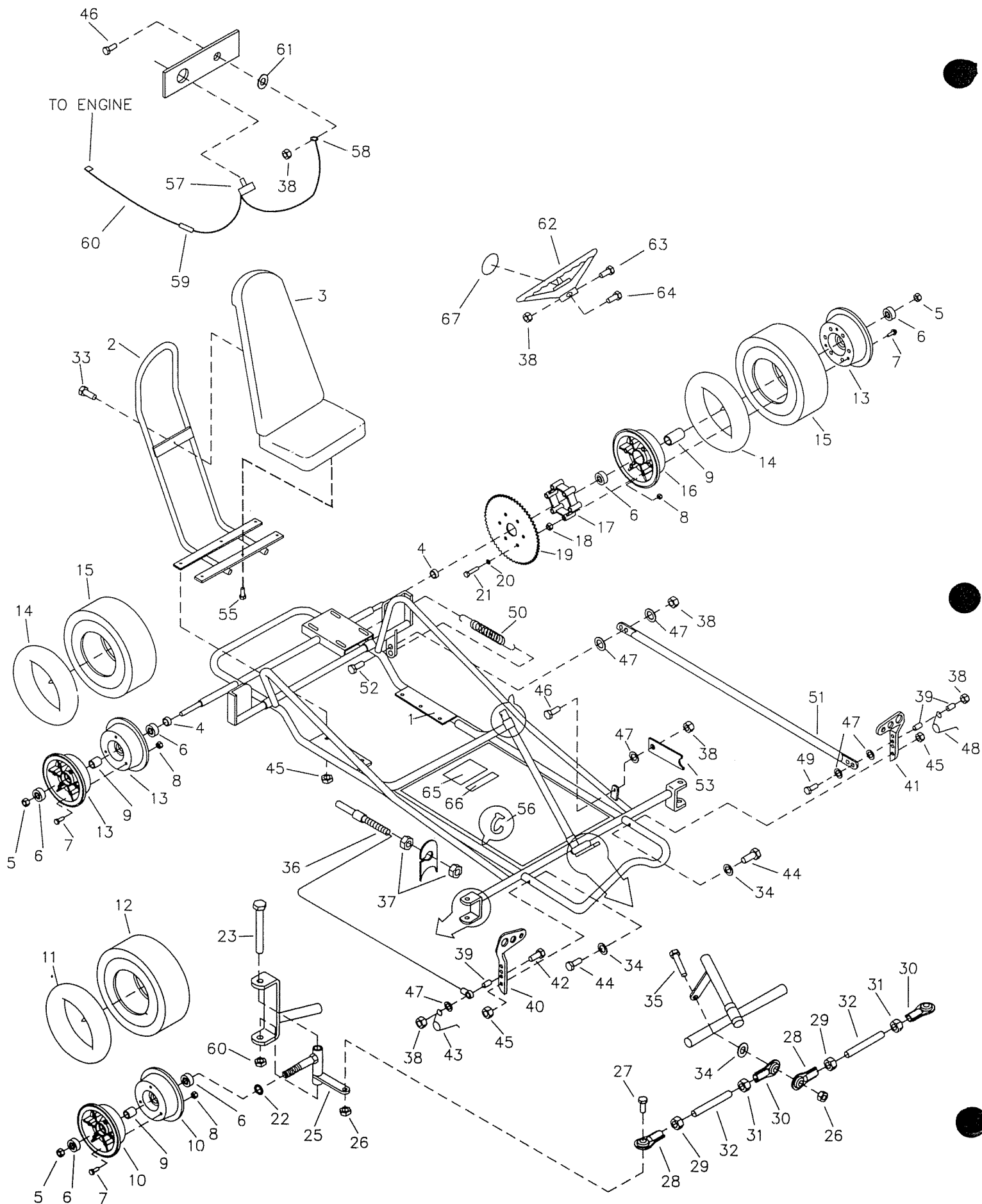
FAST & EASY!

- 1) Seek Part(s) from your models illustrated diagram, cross over REF# to PART#
- 2) Type PART# into sites [Search Box] at GoKartsRus.com TIP! - RIGHT CLICK LINK, SELECT OPEN IN NEW TAB
- 3) Add all needed parts to Shopping Cart | Complete "Checkout" | ✓ Done!

If a part does not come up in a Site Search, please [Contact Us](#) (include part# in email)

LOWEST PRICES!

BEFORE OPERATING THIS VEHICLE, THE OWNER AND/OR OPERATOR MUST UNDERSTAND THE VEHICLE WAS NOT DESIGNED OR MANUFACTURED TO MEET SPECIFICATIONS FOR USE ON PUBLIC ROADS, STREETS, HIGHWAYS, OR THOROUGHFARES AND HAVE READ AND HAVE AN UNDERSTANDING OF ALL THE INSTRUCTIONS FOR SAFE ASSEMBLY AND OPERATION AS WELL AS THE INSTRUCTIONS GOVERNING THE ENGINE AND OTHER PORTIONS OF THE VEHICLE.



REPAIR PARTS - MODEL 297

REF	PART	DESCRIPTION	REF	PART	DESCRIPTION
NO.	NO.		NO.	NO.	
1	6219-18	Frame	55	1876	Bolt, 1/4-20 x 5/8" Whiz Flange
2	3347-2	Seat Frame	56	1019	Ty-Wrap
3	4324	Seat Pad	ASM	4419	Stop Switch Assembly (inc. REF 79-82)
4	1119	Spacer, 5/8 ID x 1/8"	57	1392	Stop Switch
5	1046	Nut, 5/8-11 Toplock	58	1393	Ring Terminal
ASM	2497	Front Wheel Assembly (inc. REF 22-28)	59	2650	Butt Connector
ASM	2247	Idle Wheel Asm (inc. REF 22-25,29-31)	60	5642	Wire w/ Terminal
ASM	4337	Drive Wheel Asm (inc. REF 22-25,29-37)	61	5732	Washer, 1/4 Int/Ext Lock
6	1093	Bearing	62	6038	Steering Wheel
7	5839	Bolt, 1/4-20 x .75"	63	9080	Bolt, 1/4-20 x 2.75"
8	1186	Nut, 1/4-20	64	9160	Bolt, 1/4-20 x .875"
9	5949	Spanner	65	4504	Decal, Warning
10	5158	Wheel Half, Front 4"	66	2832	Decal, No Passengers
11	1053	Tube, Front 4"	67	3296	Decal, Steering Wheel Cntr
12	2244	Tire, Front 4 10/3.50 x 4" Knobby	NI	4350	Vehicle Operator's Manual
13	8004	Wheel Half, Rear 5" Untapped			
14	1753	Tube, Rear 5"			
15	2246	Tire, Rear 4.10/3.50 x 5" Knobby			
16	8006	Wheel Half, Rear 5" Tapped			
17	8008	Spacer			
18	2388	Nut, 3/8-24			
19	8007	Sprocket, #35 Chain x 60 Teeth			
20	9030	Washer, 5/16 Lock			
21	9127	Bolt, 5/16-18 x 2.25"			
22	1937	Spacer, 5/8 ID x .25" Thick			
23	1264	Bolt, 1/2-13 x 3.50"			
24	1012	Nut, 1/2-13 Toplock			
25	8021	Spindle, Right Side			
NI	8020	Spindle, Left Side			
26	9085	Nut, 3/8-16 Toplock			
27	9146	Bolt, 3/8-16 x 1.50"			
ASM	4355	Tie Rod Assembly (inc. REF 46-50)			
28	1414	Tie Rod End, Right Hand Thread			
29	9092	Nut, 3/8-24 Jam, Right Hand Thread			
30	1415	Tie Rod End, Left Hand Thread			
31	9024	Nut, 3/8-24 Jam, Left Hand Thread			
32	4352	Tie Rod			
33	9006	Bolt, 1/4-20 x .5" Whiz Flange			
34	9091	Washer, 3/8 Flat			
35	9145	Bolt, 3/8-16 x 1.75"			
36	1390	Throttle Cable w/ Housing (inc. REF 55)			
37	9058	Nut, 5/16-24 Jam			
38	9057	Nut, 1/4-20 Toplock			
39	1389	Bushing			
40	1437	Pedal, Throttle			
41	1436	Pedal, Brake			
42	1847	Bolt, 1/4-20 x 1.00"			
43	9502	Spring, Left Wound			
44	9110	Bolt, 5/16-18 x 1.75"			
45	1189	Nut, 5/16-18 Toplock			
46	1845	Bolt, 1/4-20 x .625"			
47	1854	Washer, #14 Flat			
48	9503	Spring, Right Wound			
49	1849	Bolt, 1/4-20 x 1.50"			
50	4365	Spring			
51	5097	Brake Rod			
52	1846	Bolt, 1/4-20 x .75"			
53	1982	Pedal Latch			
54	1263	Nut, 5/16-18 Flange			

ASM = Assembly
NI = Not Illustrated