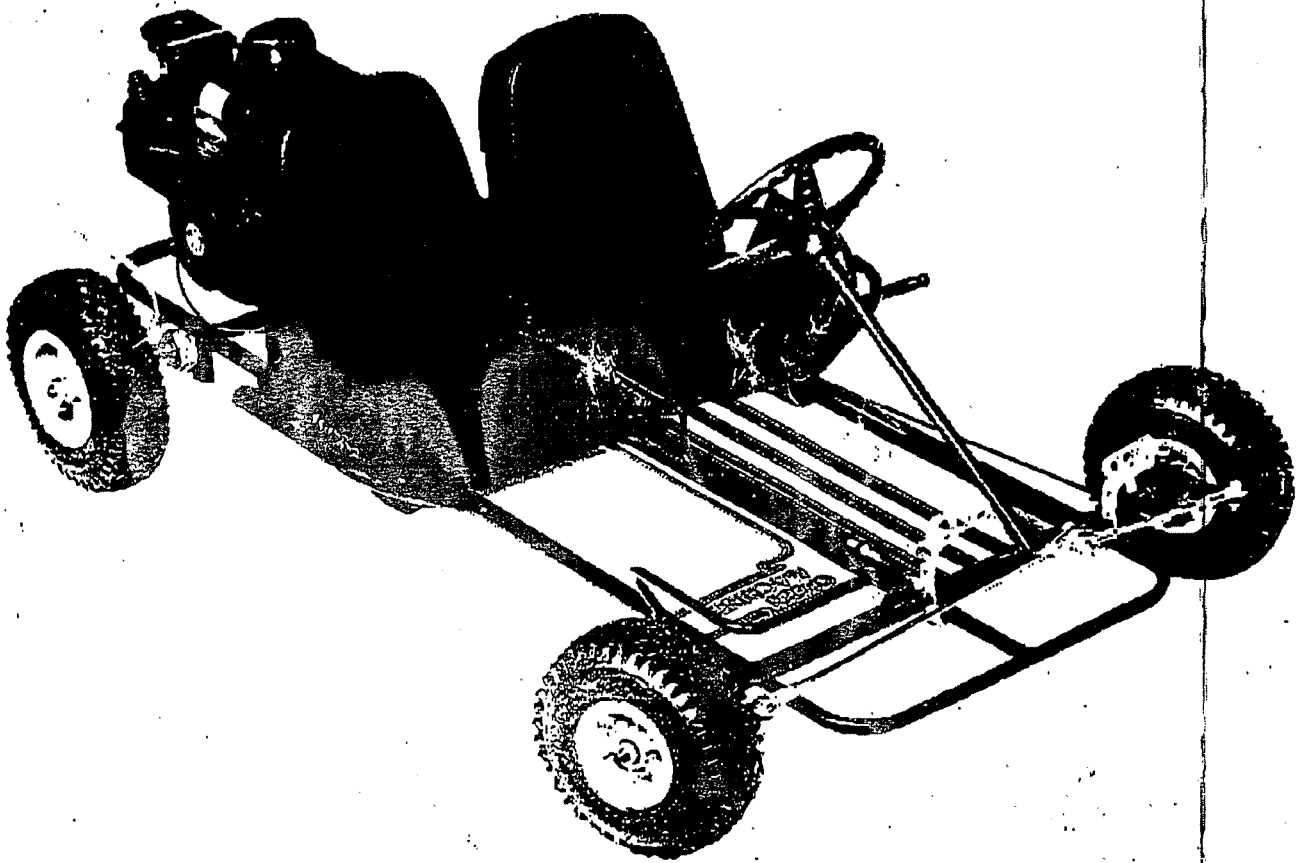


# Operator's Manual SUPPLEMENT

MANCO MODEL NO.  
375-01

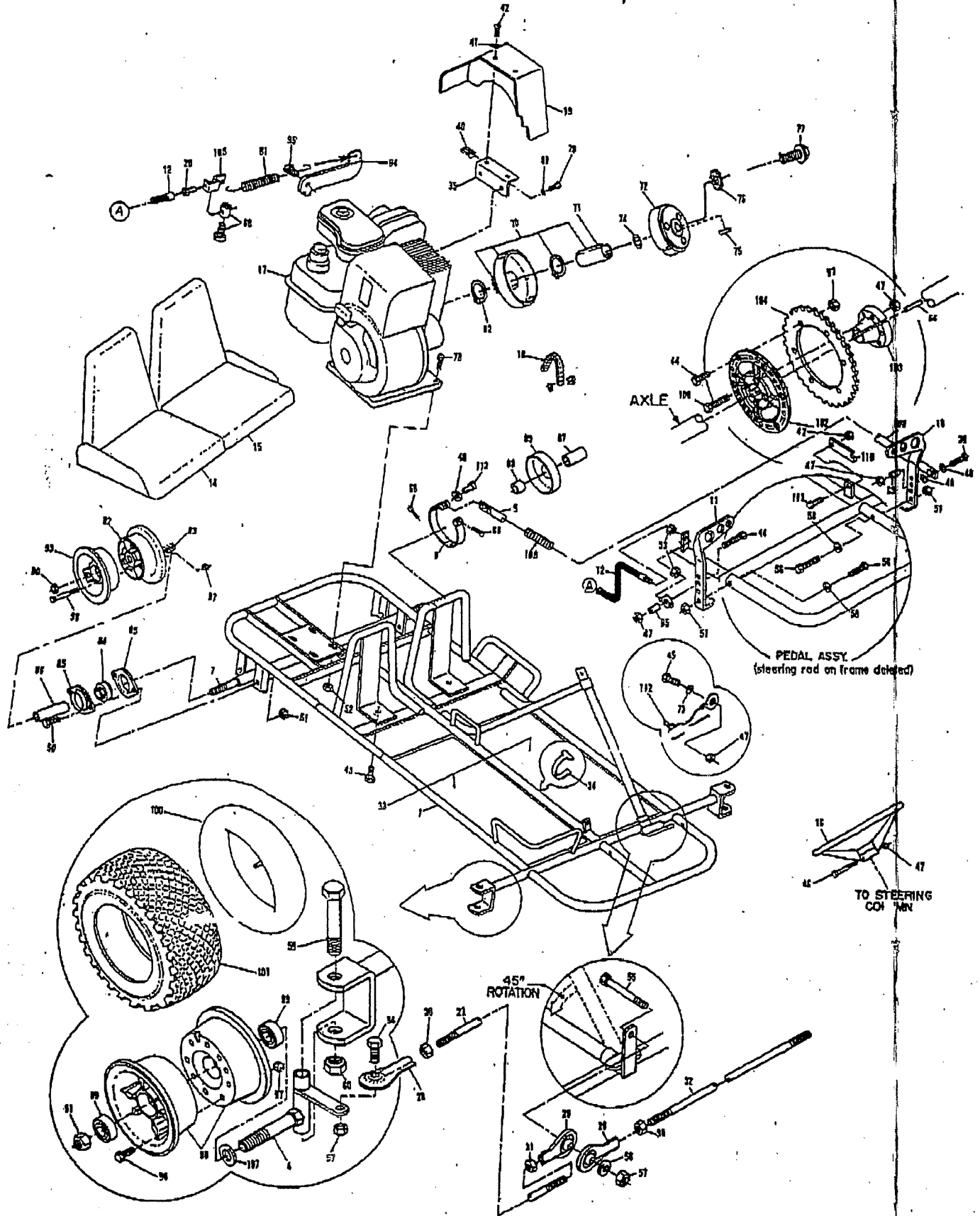


## ORDERING PARTS

- FAST & EASY!**
- 1) Seek Part(s) from your models illustrated diagram, cross over REF# to PART#
  - 2) Type PART# into sites [Search Box] at [GoKartsRus.com](http://GoKartsRus.com) TIP! - RIGHT CLICK LINK, SELECT OPEN IN NEW TAB
  - 3) Add all needed parts to Shopping Cart | Complete "Checkout" | **✓ Done!**

If a part does not come up in a Site Search, please [Contact Us](#) (include part# in email)

**LOWEST PRICES!**



## REPAIR PARTS MODEL 375-01

REF. NO.	PART NO.	DESCRIPTION	REF. NO.	PART NO.	DESCRIPTION
1	2061-2	Frame	74	5013	3/4 I.D. Fiber Washer
4	8020	R.H. Spindle	75	3474	Clutch key
7	1375	Axle Shaft	76	9001	3/8" Int/Ext lockwasher
8	1492	Brake Band	77	1491	5/16-24 x 3/4 Hex flanged whizlock screw
9	4430	Brake Rod	78	1122	5/16-18 x 1 1/2 Hex Cap Screw
10	8009	Brake Pedal	79	9101	5/16-24x1 1/2 Hex Nylock Cap Screw
11	8011	Throttle Pedal	80	9030	3/8" Internal lockwasher
12	1390	Throttle Cable w/housing	81	3160	Extension Spring
14	5006	R. H. Seat	83	6123	1/4x1/4x1 1/4 key
15	5008	L. H. Seat	84	1759	Bearing
16	6038	Steering Wheel	85	1760	Bearing flange
17	6010	Engine - 5.0HP Briggs & Stratton	86	5176	Wheel spacer, 3 1/4 long
18	2079	Chain w/masterlink - #35-76P	87	2069	Wheel spacer, 2 1/4 long
19	3362	Chainguard	88	1082	Drum spacer, 1/8 long
20	1628	Cable Retainer	89	1078	Brake drum
27	5003	Tie Rod-RH	90	9052	3/4-16 Hex toplock nut
28	1414	Rod End-RH	92	5127	Wheel half with 1" bore
29	1415	Rod End-LH	93	5128	Wheel half with 3/4" bore
30	9092	Jam Nut-3/8-24	94	1320	Spring anchor
31	9024	Jam Nut-3/8-24 LH Thread	95	1321	Screw (for anchor)
32	5004	Tie Rod-LH	96	5839	Hex head bolt, whizlock, 1/4-20 x 3/4"
33	5719	Pan Decal	97	1186	Hex nut, whizlock, 1/4-20
34	1019	Tywrap	98	5158	Wheel half, 4" untapped
35	3363-2	Chainguard Mtg. Bracket	99	1093	Bearing
39	1847	1/4-20x1" Hex Cap Screw	100	1053	4" Inner Tube
40	5135	Tinnerman Nut 10-24	101	2244	4.10/3.50x4" Knobby tire
41	6039	#10-Int. Lockwasher	102	1421	Vari-hub
42	6046	#10-24 x 1/2 Truss HD Screw	103	5625	Vari-hub bushing
43	9006	1/4-20x1 1/2 Hex Flanged Whizlock Screw	104	1420	Sprocket
44	1846	1/4-20x3/4 Hex Cap Screw, Gr. 5	105	1285	Throttle connector
45	1003	1/4-20x1 1/2 Hex Cap Screw	106	1849	1/4-20x1 1/2 cap screw, GR5
46	9080	1/4-20x2 3/4 Hex Cap Screw	107	3761	3/4 I.D. x 1/4 spacer
47	9057	1/4-20 Hex Toplock Nut	108	2377	Brake rod
48	1854	1/4" Flat Washer	109	5681	Compression spring
50	2264	5/16-18 x 3/4 Hex Cap Screw	110	1982	Pedal latch
51	1189	5/16-18 Hex Toplock Nut	111	1845	1/4-20 x 3/8 Hex Head Cap Screw
52	1263	5/16-18 Hex Fl. Whizlock nut	112	4419	Stopswitch w/wire
53	9058	5/16-24 Hex Jam Nut	113	9118	1/4x1 1/4 Clevis Pin
54	9070	3/8-16x1 1/4" Hex Cap Screw	ASM	5019	R.H. Tie Rod Assembly
55	1174	3/8-16x1-3/4 Hex Cap Screw	ASM	5020	L.H. Tie Rod Assembly
56	9110	3/8 Shoulder Bolt	ASM	2497	Wheel Assembly, 4" Knobby Front
57	9085	3/8-16 Hex Toplock Nut	ASM	4335	Clutch Assembly
58	9091	3/8" Flat Washer	ASM	5152	Vari-Hub and Sprocket Assembly
59	1264	1/2x13x3 1/2 Hex Cap Screw	ASM	2493	Wheel Assembly, 5" Knobby Rear
60	1012	1/2-13 Hex Toplock Nut	NI	8021	L.H. Spindle
61	1466	5/8-11 Hex Locking Jam	NI	1753	5" Inner Tube
62		Snapping Shaft	NI	2246	4.10/3.50 x 5" Knobby Tire
64	1775	1/4x1/4x1 1/4 Key	NI	4350	Operator's Manual
65	1389	1/4 I.D. x 3/16 Bushing			
66	1018	Cable Stop w/screw			
68	9116	Cotter Pin, 3/32 dia. x 3/4			
70	4491	Drum w/sprocket			
71		Bearing			

ASM — Complete Assembly

NI — Not illustrated