

Operator's Manual SUPPLEMENT

Model No.
386B-0

⚠ WARNING:

Read Engine Owner's Manual, Vehicle Operator's Manual, and Supplement Carefully Before Operating Vehicle.



Parts List

ORDERING PARTS

- 1) Seek Part(s) from your models illustrated diagram, cross over REF# to PART#
- 2) Type PART# into sites [Search Box] at GoKartsRus.com TIP! - RIGHT CLICK LINK, SELECT OPEN IN NEW TAB
- 3) Add all needed parts to Shopping Cart | Complete "Checkout" | ✓ Done!

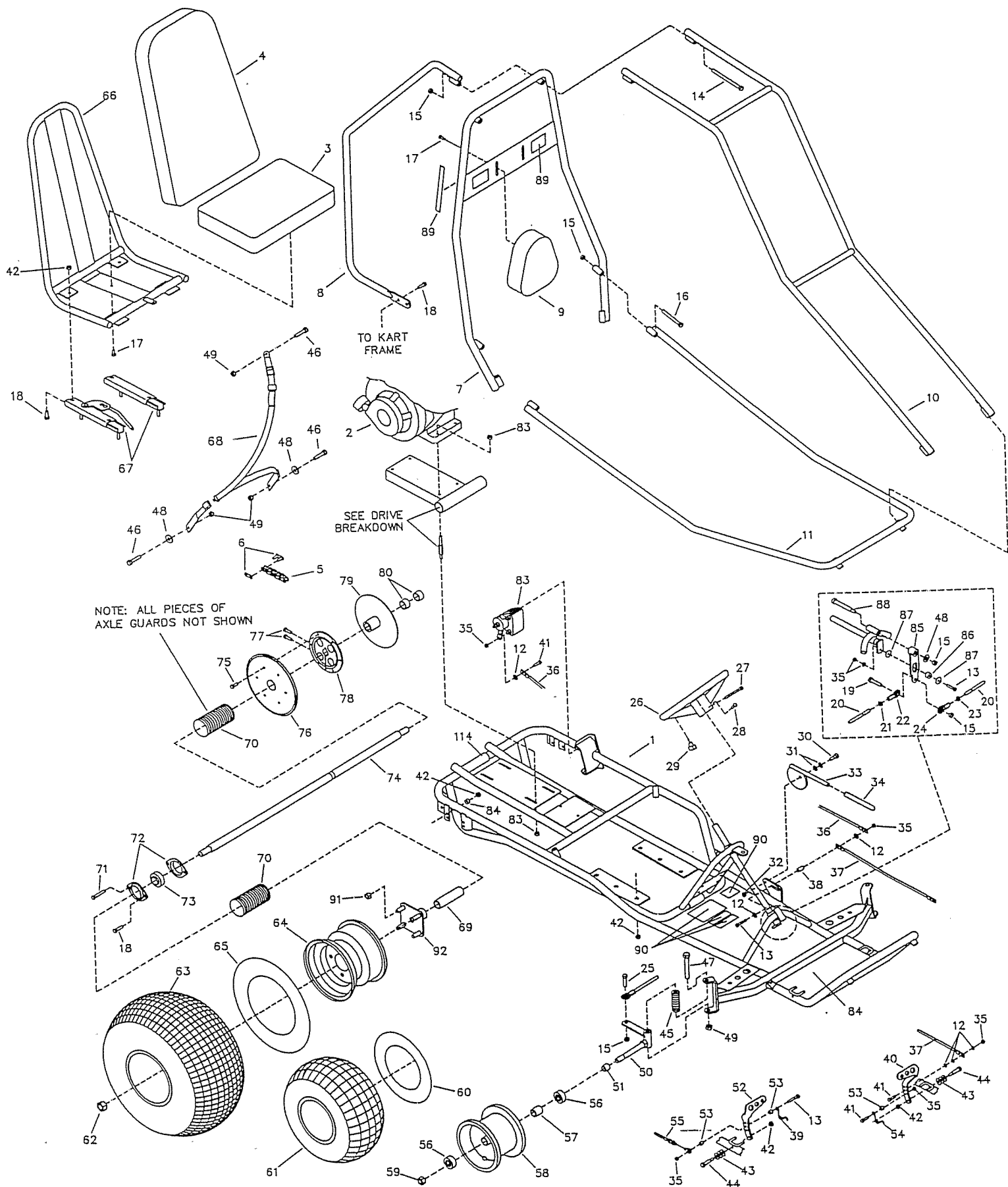
If a part does not come up in a Site Search, please [Contact Us](#) (include part# in email)

FAST & EASY!

LOWEST PRICES!

THIS VEHICLE IS FOR OFF-ROAD USE ONLY

BEFORE OPERATING THIS VEHICLE, THE OWNER AND/OR OPERATOR MUST UNDERSTAND THE VEHICLE WAS NOT DESIGNED OR MANUFACTURED TO MEET SPECIFICATIONS FOR USE ON STREETS, HIGHWAYS, OR THOROUGHFARES AND HAVE READ AND HAVE AN UNDERSTANDING OF ALL THE INSTRUCTIONS FOR SAFE ASSEMBLY AND OPERATION AS WELL AS THE INSTRUCTIONS GOVERNING THE ENGINE AND OTHER PORTIONS OF THE VEHICLE.

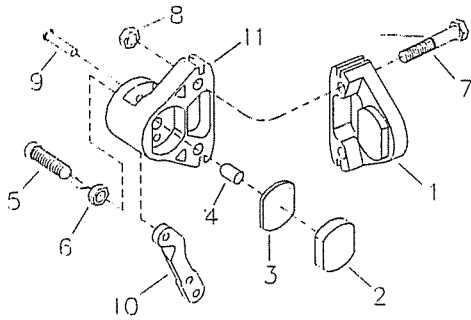


REPAIR PARTS - 386B-0

REF. NO.	PART NO.	DESCRIPTION	REF. NO.	PART NO.	DESCRIPTION
1	10711-5	Frame	67	6734	Seat Slide - pair
2	5533	Engine, 6HP Tecumseh	68	8373	Seat Belt Shoulder / Lap
3	5557	Seat Bottom	69	4660-16	Spacer, 1" ID x 4-7/16"
4	8748	Seat Back	70	K388-38	Axle Guard Repair Kit
5	9343	Chain, 420 x 72 Links (incl. 6)	71	6573	Bolt, 5/16-18 x 1-3/4"
6	2037	Master Link, 420 Chain	72	6617	Bearing Flange
7	8711-5	Center Bar	73	3941H	Bearing, 1" ID
8	8702-5	Rear Bar	74	8223H	Axle Shaft
9	6320	Headrest	ASM	6420H	Sprocket Asm. (incl. 75-78)
10	8714-5	Overhead Bar	75	9006	Bolt, 1/4-20 x 1/2" Flanged Whiz
11	8710-5	Front Bar	76	6282	Sprocket, 420 x 54 Teeth
12	1854	Washer, No. 14 Flat	77	6701	Bolt, 5/16 x 1-1/4" Socket Head
13	1849	Bolt, 1/4-20 x 1-1/2"	78	6280H	Sprocket Hub
14	6452	Bolt, 3/8-16 x 5"	79	6314H	Brake Rotor
15	9085	Nut, 3/8-16 Toplock	80	2265-16	Spacer, 1" ID x 3/4"
16	2386	Bolt, 3/8-16 x 3-1/2"	81	1263	Nut, 5/16-18 Flanged Whiz
17	5839	Bolt, 1/4-20 x 3/4" Flanged Whiz	82	9674-16	Spacer, 3/8 ID x 3/8"
18	9176	Bolt, 5/16-18 x 1"	83	8197	Brake Caliper Asm.
19	9145	Bolt, 3/8-16 x 1-3/4"	84	1441	Decal, Front Floor Pan Scuff
ASM	6430	Tie Rod Asm. (incl. 20-24)	85	9834-2	Steering Crank Weldment
20	6431	Tie Rod	86	9873	Cam Follower Bearing
21	9092	Nut, 3/8-24 RH Jam	87	9872	Washer, 1/4 Flat
22	1414	Rod End - RH Thread	88	9871	Shoulder Bolt, 1/2 x 3"
23	9024	Nut, 3/8-24 LH Jam	89	10329	Decal Sheet, Center Bar Warnings
24	1415	Rod End - LH Thread	90	10330	Decal Sheet, Main Frame and Engine Warnings
25	9146	Bolt, 3/8-16 x 1-1/2"	91	1428	Nut, 1/2-13 Cone
26	6038	Steering Wheel	92	1557H	Wheel Hub
27	9080	Bolt, 1/4-20 x 2-3/4"			
28	9160	Bolt, 1/4-20 x 7/8" Nylock	NI	9247R4	Assembly Instructions
29	9799	Stop Switch Asm	NI	6477	Dingo Operator's Manual
30	9172	Bolt, 3/8 x 1/4 Shoulder	NI	8746	Safety Video
31	6441	Washer, 3/8 ID Spring			
32	6440	Nut, 5/16-18 Jam			
33	6773-2	Parking Brake Handle			
34	6442	Brake Handle Cover			
35	9057	Nut, 1/4-20 Toplock			
36	8215-2	Rear Brake Rod			
37	8715-2	Front Brake Rod			
38	9869	Spacer, 1/4 ID x 5/16 OD x 5/8"			
39	9502	Spring, Left Wound			
40	6293-16	Pedal, Brake			
41	1847	Bolt, 1/4-20 x 1"			
42	1189	Nut, 5/16-18 Toplock			
43	9091	Washer, 3/8 Flat			
44	1447	Pedal Bolt			
45	9709	Compression Spring			
46	9188	Bolt, 1/2-13 x 1-1/2"			
47	5682	Bolt, 1/2-13 x 5-1/2"			
48	9022	Washer, 1/2 Flat			
49	1012	Nut, 1/2-13 Toplock			
50	2457-2Z	Spindle, Right			
NI	2458-2Z	Spindle, Left			
51	5157-16	Spacer, 5/8 ID x 3/4"			
52	6309-16	Pedal, Throttle			
53	1389	Bushing, 1/4 ID x 5/16"			
54	9503	Spring, Right Wound			
55	9345	Throttle Cable			
56	5090	Bearing, 5/8 ID			
57	5950	Spanner, 5/8 ID x 2-1/8"			
58	9309FP	Wheel Assembly, Front (incl. 61)			
59	1046	Nut, 5/8-11 Toplock			
60	3802	Inner Tube, 6" (Repair Part Only)			
61	4915	Tire, 145/70 x 6 Knobby			
62	9162	Nut, 3/4-10 Toplock			
ASM	1412	Wheel Asm, Rear (incl. 63-64)			
63	1452	Tire, 22 x 11 -11"			
64	1451	Wheel - 8" Black			
65	1430	Tube, 8" (Repair Part Only)			
66	10402-2	Seat Frame			

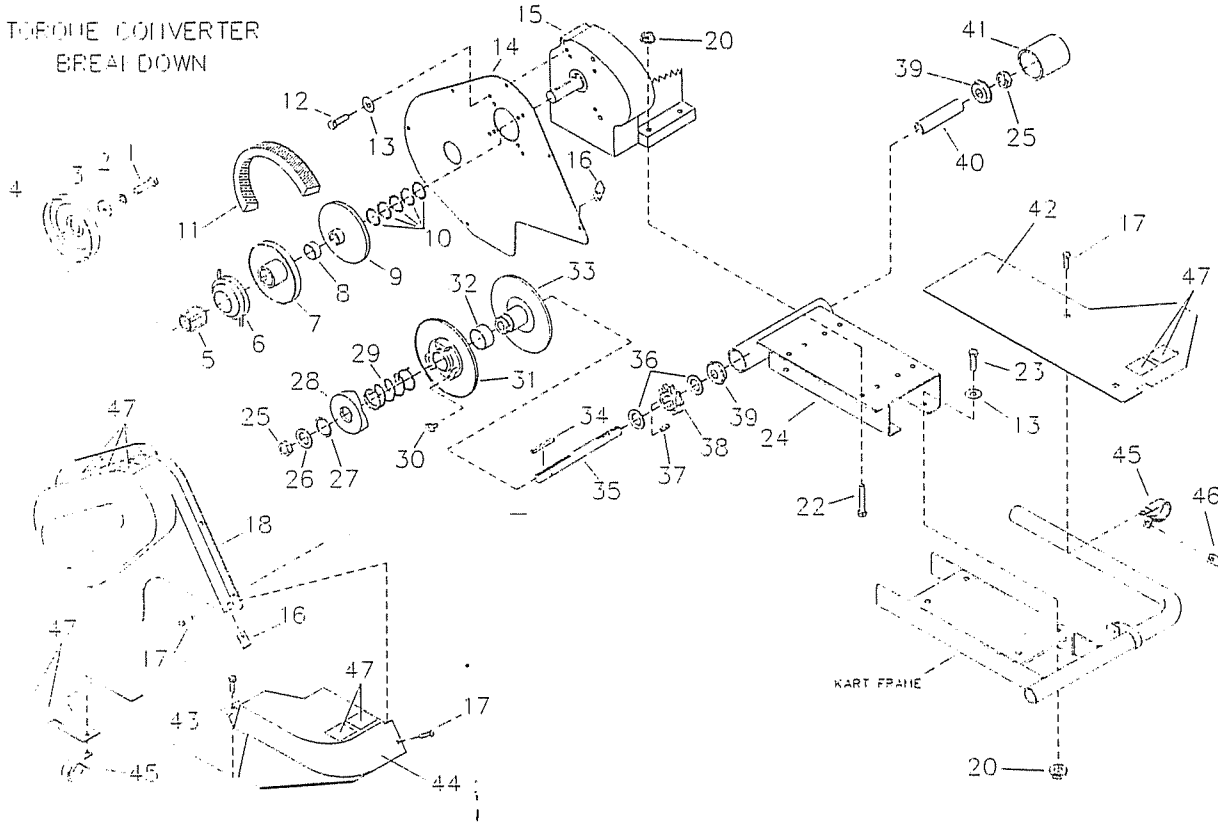
ASM = Assembly
NI = Not Illustrated

CALIPER BREAKDOWN



REF. NO	PART NO	DESCRIPTION
ASM	8197	Brake Caliper (incl. 1-11)
ASM	9810	Brake Pad Svc Kit (incl. 1-3)
1	*	Anvil w/Lining
2	*	Brake Lining
3	3928	Backing Plate
4	3930	Actuator Pin
5	3931	Adjuster Pin
6	3932	Nut, Jam
7	9158	Bolt, 3/8-16 x 2-1/4"
8	9085	Nut, 3/8-16 Toplock
ASM	6534	MB-1 Service Kit (incl. 9-11)
9	*	Groove Pin
10	*	Lever
11	*	Brake Housing

TORQUE CONVERTER BREAKDOWN



REF. NO	PART NO	DESCRIPTION	REF. NO	PART NO	DESCRIPTION	REF. NO	PART NO	DESCRIPTION
1	8204	Bolt, 5/16-24 x 2-1/4"	21	—		41	8194	Cap, Plastic
2	1124	Washer, 5/16 Split Lock	22	9186	Bolt, 5/16-18 X 1-1/2"	42	8265	Right Deck Cover
3	1398	Washer, 21/64 ID Fender	23	2264	Bolt, 5/16-18 X 3/4"	43	8260	Left Deck Cover
ASM	5957	Driver Pulley Assembly (incl. REF. 4-9)	24	8908	Chassis	44	8259	Caliper Cover
4	*	Drum	25	9155	Nut, 5/8-11 Jam	45	8266	Loop Clip
5	*	Hub	26	8193	Washer, Cup	46	8227	Clip Nut
6	*	Shoe Assembly	ASM	8191	Driven Pulley Assembly (incl. REF. 27-33)	47	11330	Decal Sheet, Main Frame and Engine Warnings
7	*	Moveable Sheave	27	2477	Retaining Ring			
8	200349	Bushing	28	*	Cam			
9	*	Stationary Sheave	29	6805	Spring			
10	1194	Washer, 3/4 Flat	30	6804	Button, Nylon			
11	8192	Belt, Asymmetrical	31	*	Moveable Sheave			
12	9101	Bolt, 5/16-24 x 1/2"	32	*	Bushing			
13	9060	Washer, 5/16 Plain	33	*	Stationary Sheave			
14	8200	Cover Panel	34	3403	Key, 3/16sq x 2"			
15	5533	Engine, 6hp Tecumseh	35	8219	Jackshaft			
16	2449	Nut, Tinnerman	36	1119	Spacer, 5/8ID x 1/8"			
17	9006	Bolt, 1/4-20 x 1/2" Whiz Flange	37	1031	Key, 3/16sq x 1/2"			
18	8199	Cover	38	1125S	Sprocket, 9T #420			
19	—		39	5090	Bearing			
20	1263	Nut, 5/16-18 Flange	40	2430	Spanner			

* = Not Available Separately
 ASM = Assembly
 NI = Not Illustrated