

# Operator's Manual SUPPLEMENT

MANCO MODEL NO.

388-04



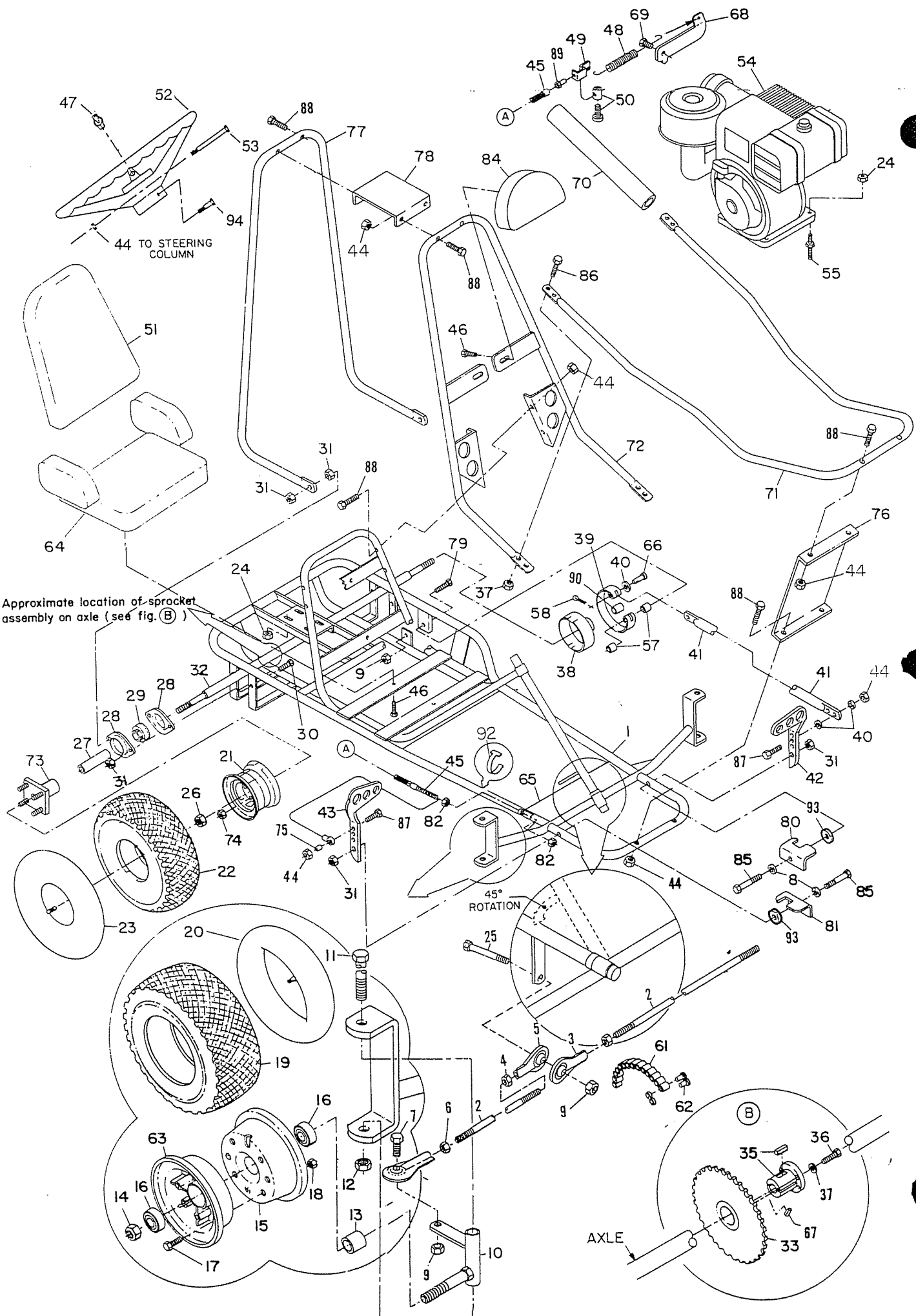
## ORDERING PARTS

- 1) Seek Part(s) from your models illustrated diagram, cross over REF# to PART#
- 2) Type PART# into sites [Search Box] at [GoKartsRus.com](http://GoKartsRus.com) TIP! - RIGHT CLICK LINK, SELECT OPEN IN NEW TAB
- 3) Add all needed parts to Shopping Cart | Complete "Checkout" | ✓ Done!

If a part does not come up in a Site Search, please [Contact Us](#) (include part# in email)

**FAST & EASY!**

**LOWEST PRICES!**



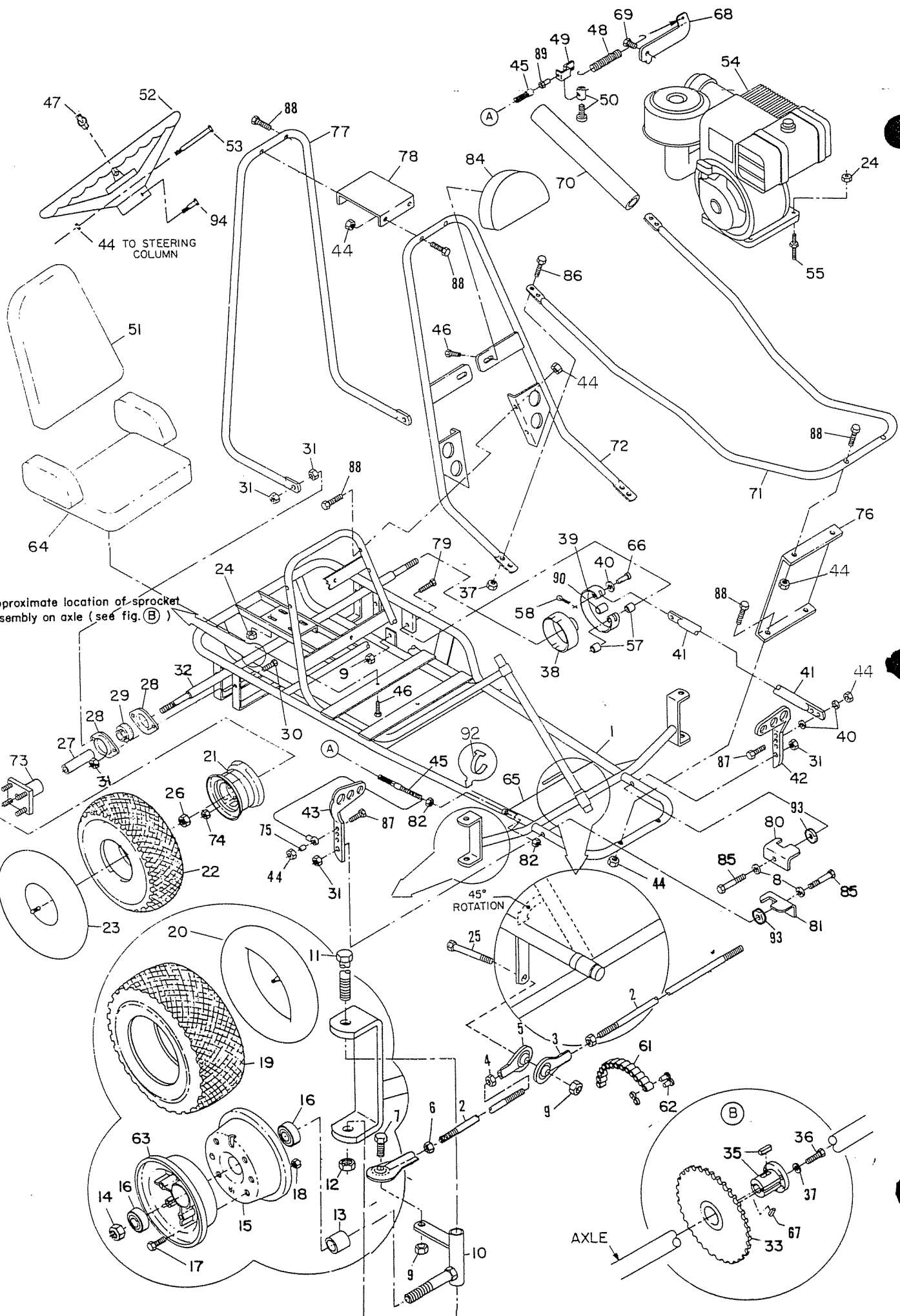
47  
52  
53  
94  
44 TO STEERING COLUMN

Approximate location of sprocket assembly on axle (see fig. B)

45° ROTATION

(B)

AXLE



# REPAIR PARTS

Model 388-04

REF. NO.	PART NO.	DESCRIPTION	REF. NO.	PART NO.	DESCRIPTION
1	2401	Frame	53	9080	¼-20 x 2¾ Hex Cap Screw
ASM	1464	Tie Rod Asm, (inc. ref. # 2, 3, 4, 5, and 6.)	54	3768	8 HP Engine
			55	1356	Mounting Stud Assembly
2	1465	Tie Rod	56		Not Used
3	1415	Rod End-Left Hand	57	2527	Spacer - ¾ I.D.
4	9092	¾-24 Hex Jam Nut-Right Hand Thread	58	9116	½ x ¾ Cotter Pin
5	1414	Rod End-Right Hand	59		Not Used
6	9024	¾-24 Hex Jam Nut-Left Hand Thread	60		Not Used
7	9146	¾-16 x 1½ Hex Cap Screw	61	2434	#420 Chain-70 Pitch
8	9125	¾ Flat Washer	62	2037	#420 Masterlink
9	9085	¾-16 Hex UTA Locknut	63	1539	Wheel Half-6" Aluminum-Gold
10	2457	Spindle-Right Hand	64	5160	Seat Bottom
NI	2458	Spindle-Left Hand	65	1441	Scuff Pad
11	1264	½-13 x 3½ Hex Cap Screw	66	9118	¼ x 1 ¼ Clevis Pin
12	1012	½-13 Hex UTA Locknut	67	6123	Key-¼ Square x 1¾
13	5157	Spacer-Front Axle	68	1320	Spring Anchor
14	1046	¾-11 Hex UTA Locknut	69	1321	Screw
ASM	3803	Wheel Asm.-6" (inc. ref. #15-20, 63)	70	6126	Pad
15	1092	Wheel Half-6"-Aluminum	71	3089-2	Front Bar
16	1093	Bearing	72	3092-2	Center Bar
17	1185	¼-20 x ¾ Hex Whizlock Screw Gr 5	73	1557	Wheel Flange
18	1186	¼-20 Hex Whizlock Nut	74	1428	Lug Nut
19	3801S	15 x 6.00 x 6 Knobby Tire	75	1389	Bushing-¼ x ⅝
20	3802	5.30-4.50 x 6 Tube	76	1607	Front Plate
ASM	1412	Wheel Asm. -22" (inc. ref. # 21-22)	77	1608-2	Rear Bar
21	1451	Wheel Hub-8"-Steel	78	1602	Rear Plate
22	1452	22 x 11-8 Tubeless ATV tire	79	2386	¾-16 x 2½ Hex Head Screw Gr 5
23	1430	18-9.50 x 8 Tube (Repair Part Only)	80	1609	Bracket-Brake Pedal
24	1263	⅝-18 Hex Flanged Whizlock Nut	81	1615	Bracket-Throttle Pedal
25	9158	¾-16 x 2¼ Hex Cap Screw	82	9058	⅝-24 Jam Nut
26	9052	¾-16 Hex UTA Locknut	83		Not Used
27	4660	Spacer-1" I.D. x 4 ⅞"	84	5717	Pad-Headrest
28	1760	Flange-Bearing	85	1447	Shoulder Bolt
29	1759	Bearing-Axle	86	1845	¼-20 x ⅝ Hex Cap Screw Gr 5
30	9122	⅝-18 x 1¼ Hex Cap Screw	87	1846	¼-20 x ¾ Hex Cap Screw Gr 5
31	1189	⅝-18 UTA Locknut	88	1848	¼-20 x 1¼ Hex Cap Screw Gr 5
32	1561	Axle-38-½"	89	1628	Cable Retainer
33	2528	Sprocket-54 Tooth-#41	90	1082	Spacer-1 x ⅞
35	2531	Bushing W/Key	91		Not Used
36	9122	⅝-18 x 1¼ HHCS Gr 5	92	1019	Ty-Wrap
37	1124	⅝ Lockwasher	93	9091	¾ Flat Washer
38	2416	Brake Drum	NI	2581	Owners Manual
39	2513	Brake Band	NI	1394	Stop Switch Lead Wire Asm.
40	1854	¼ Flat Washer	NI	2435	Lead Wire Asm.
41	2421	Brake Rod	NI	9070	¾-16 x 1¼ HHCS
42	1436	Brake Pedal	ASM	2944	Hub & Sprocket Asm. (inc. ref. # 33, 35, 36, 37, & 67)
43	1437	Throttle Pedal			
44	9057	¼-20 Hex Locknut			
45	1496	Throttle Cable Asm.	NI = Not Illustrated		
46	9006	¼-20 x ½ Flanged Hex Head Whizlock Screw	ASM = Assembly		
47	1391	Stop Switch Assembly			
48	3160	Spring - Throttle Return			
49	1285	Connector			
50	1018	Cable Stop W/Screw	94	9160	¼ - 20 x ⅞ Hex Cap Screw w/Nylok
51	5159	Seat Back			
52	1626	Steering Wheel			

