

Operator's Manual SUPPLEMENT

Manco Model No.
388-05



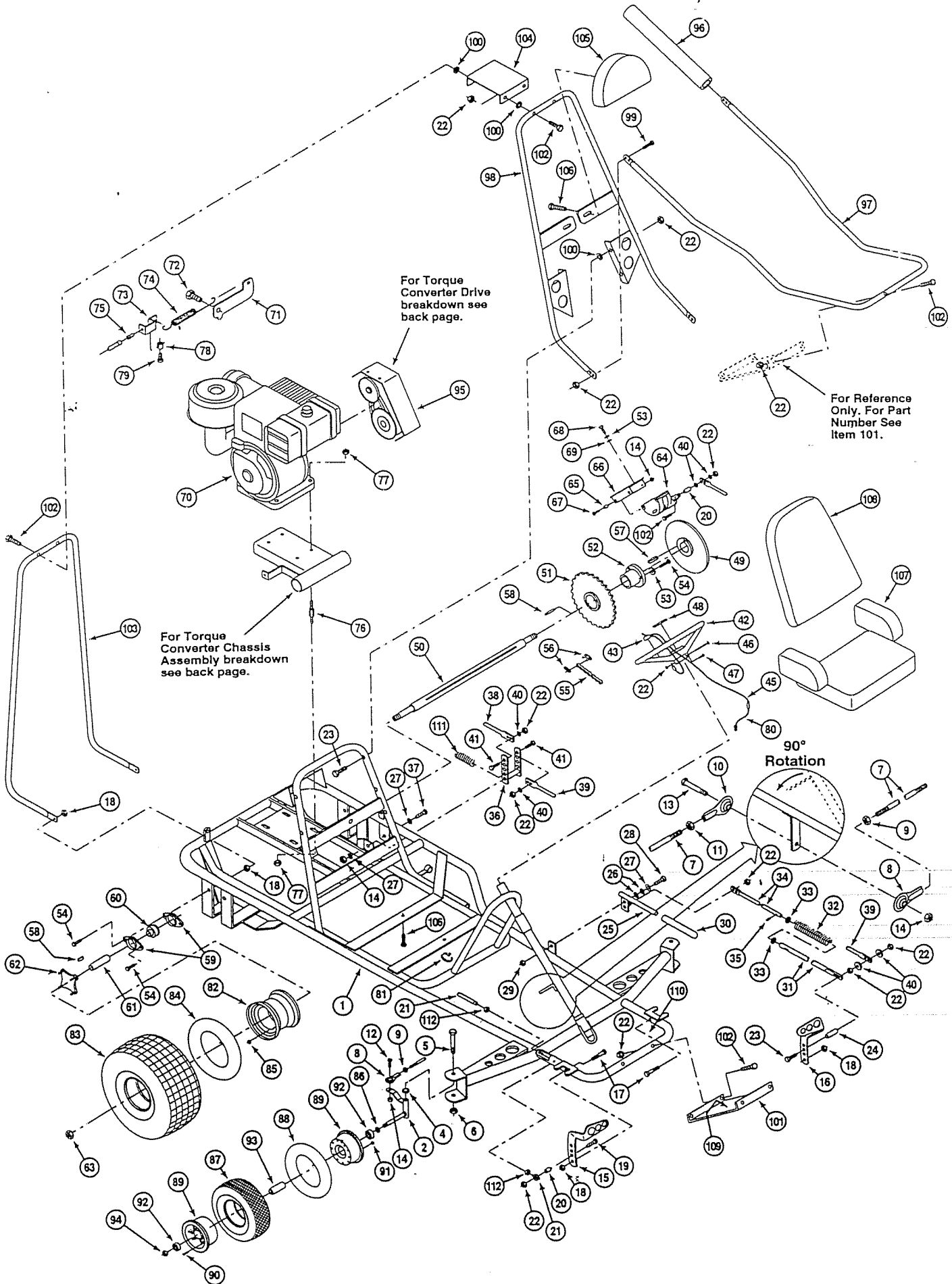
ORDERING PARTS

FAST & EASY!

- 1) Seek Part(s) from your models illustrated diagram, cross over REF# to PART#
- 2) Type PART# into sites [Search Box] at GoKartsRus.com TIP! - RIGHT CLICK LINK, SELECT OPEN IN NEW TAB
- 3) Add all needed parts to Shopping Cart | Complete "Checkout" | ✓ Done!

If a part does not come up in a Site Search, please [Contact Us](#) (include part# in email)

LOWEST PRICES!



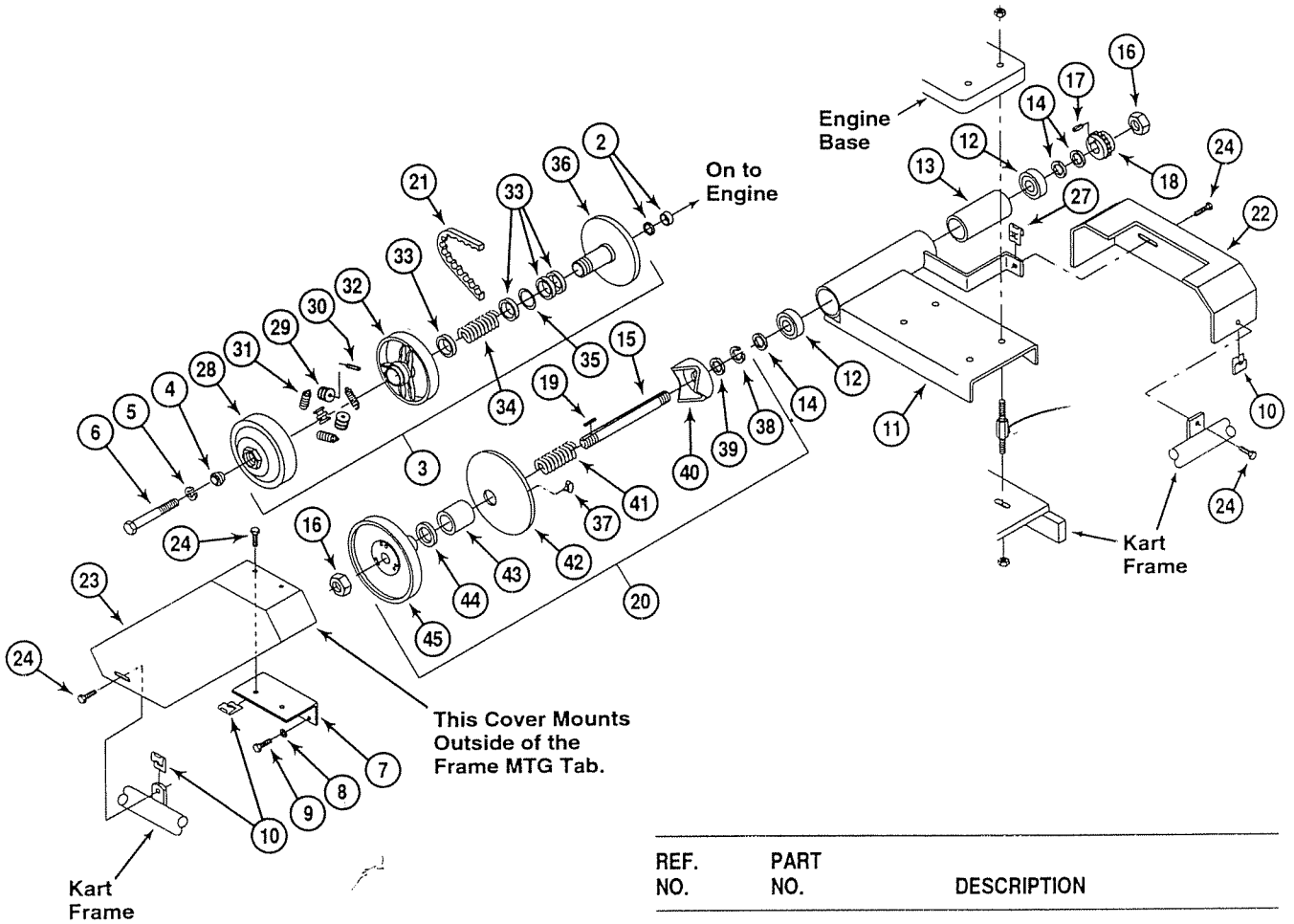
REPAIR PARTS

Model 388-05

REF. NO.	PART NO.	DESCRIPTION	REF. NO.	PART NO.	DESCRIPTION
1	6432-2	Frame	57	3712	1/4 Sq. x 1 Key
2	2457	R.H. Spindle	58	6123	1/4 Sq. x 1-3/4 Key
NI	2458	L.H. Spindle	59	1760	Bearing Flange
4	9022	1/2 Flat Washer	60	3941	Precision/Seal Bearing
5	1264	1/2-13 x 3-1/2 Hex Cap Screw	61	4660	Spacer 1 Inch I.D. x 4-7/16
6	1012	1/2-13 Top Lock Hex Nut	62	1557	Hub/Flange Assembly
ASM	6430	Tie Rod Assembly	63	9052	3/4-16 Top Lock Hex Nut
7	6431	Tie Rod	64	6455	Caliper
8	1414	Rod End R.H.	65	3904	5/8 x 5/8 Spacer
9	9092	3/8-24 R.H. Thread Jam Nut	66	6490-2	Caliper Mounting Bracket Assembly
10	1415	Rod End L.H.	67	2386	3/8-16 x 3-1/2 Hex Screw
11	9024	3/8-24 L.H. Thread Jam Nut	68	1275	5/16-18 x 3/4 Hex Screw
12	9146	3/8-16 x 1-1/2 Hex Cap Screw Gr5	69	9060	5/16 Flat Washer
13	9158	3/8-16 x 2-1/4 Hex Cap Screw Gr5	70	2790	8-HP Engine
14	9085	3/8-16 Toplock Hex Nut	71	1320	Spring Anchor
15	6309	Throttle Pedal	72	6192	10-32 x 5/8 Hex Screw
16	6293	Brake Pedal	73	1285	Briggs Connector
17	9110	3/8 x 7/8 Shoulder Bolt Gr5	74	3160	Extension Spring
18	1189	5/16-18 Top Lock Hex Nut	75	1628	Throttle Cable Retainer
19	1847	1/4-20 x 1 Hex Cap Screw Gr5	76	6374	Engine Support Spacer
20	1389	Bushing 1/4 I.D. x 5/16	77	1263	5/16-18 Hex Nut Flange Whiz
21	1496	Throttle Cable	78	2748	Cable Stop Nut
22	9057	1/4-20 Top Lock Hex Nut	79	2666	Swivel Screw
23	1849	1/4-20 x 1-1/2 Hex Cap Screw Gr5	80	2435	Wire Harness
24	6349	Bushing 5/16 O.D. x 22Ga	81	1019	Tywrap
25	6404-2	Brake Lever	ASM	1412	Rear Wheel Assembly - 22 x 11 x 8
26	6441	3/8 I.D. Spring Washer	82	1451	Wheel Hub - 8 Inch Steel
27	9091	3/8 Flat Washer	83	1452	22 x 11-8 Tubeless ATV Tire
28	6439	3/8 Dia. x 3/8 Shoulder Bolt	84	1430	18-9-1/2 x 8 Tube (Repair Part Only)
29	6440	5/16-18 Jam Nut	85	1428	Lug Nut
30	6442	Brake Handle Cover	86	5157	5/8 x 3/4 Spacer
ASM	6411-2	Parking Brake Rod Assembly	ASM	3803B	Wheel Assembly 6 Inch Turf Saver
31	6412	Parking Brake Tube	87	3801S	Tire 15 x 6 - 6 Turf Saver
32	6413	Compression Spring	88	3802	Inner Tube 6 Inch - JS87N Stem
33	6410	1/4 x .734 Dia. Flat Washer	89	1092-2	Wheel Half 6 Inch Untapped
34	6408	Parking Brake Rod	90	5839	1/4-20 x 3/4 Hex Flange Whiz
35	6414	1/8 x 1/2 Spiral Pin	91	1186	1/4-20 Hex Nut Whiz No Flange
36	6445-2	Brake Linkage	92	1093	Bearing 5/8 I.D. w/o Snap Ring
37	6452	3/8-16 x 5 Hex Cap Screw Gr5	93	5950	Spanner 5/8 I.D. x 2-1/8
38	4986-2	Brake Rod	94	1046	5/8-11 Top Lock Hex Nut
39	6292-2	Brake Rod	95	1689	Decal Dingo (TAV Cover)
40	1854	1/4 Flat Washer	96	6126	Arm Pad
41	1846	1/4-20 x 3/4 Hex Cap Screw Gr5	97	6478-2	Front Bar 388-05
42	6038	Steering Wheel	98	3092-2	Center Bar
43	1392	Stop Switch Assembly	99	1845	1/4-20 x 5/8 Hex Cap Screw
NI	1393	Ring Terminal	100	6235	Rubber Washer 1/4 I.D. x 1/4 Thick
45	1394	Wire 50 Inch w/Splice	101	1607	Front Plate
46	9080	1/4-20 x 2-3/4 Hex Cap Screw Gr5	102	1848	1/4-20 x 1-1/4 Hex Cap Screw
47	9160	1/4-20 x 7/8 Nylok Hex Cap Screw Gr5	103	1608-2	Rear Bar
48	3296	MPI Steering Wheel Decal	104	1602	Rear Plate
49	6314	Rotor	105	5717	Head Rest
50	6435	Axle Shaft	106	9006	1/4-20 x 1/2 Hex Fl. Whizlock Screw
ASM	2944	Sprocket Assembly	107	5160	Seat Bottom
51	2528	Sprocket	108	5159	Seat Back
52	2531	Tapered Bushing w/Key	109	1688	Decal - Dingo (Front Plate)
53	1124	5/16 Splitlock Washer	110	1441	Decal - Floor Pan Scuff
54	9122	5/16-18 x 1-1/4 Hex Screw	111	4365	Ext. Spring 3/8 O.D.
55	6373	Chain 420 x 66 OS w/Masterlink	112	9058	5/16-24 Jam Nut
56	2037	#420 Masterlink			

NI = Not Illustrated
ASM = Assembly

TORQUE CONVERTER

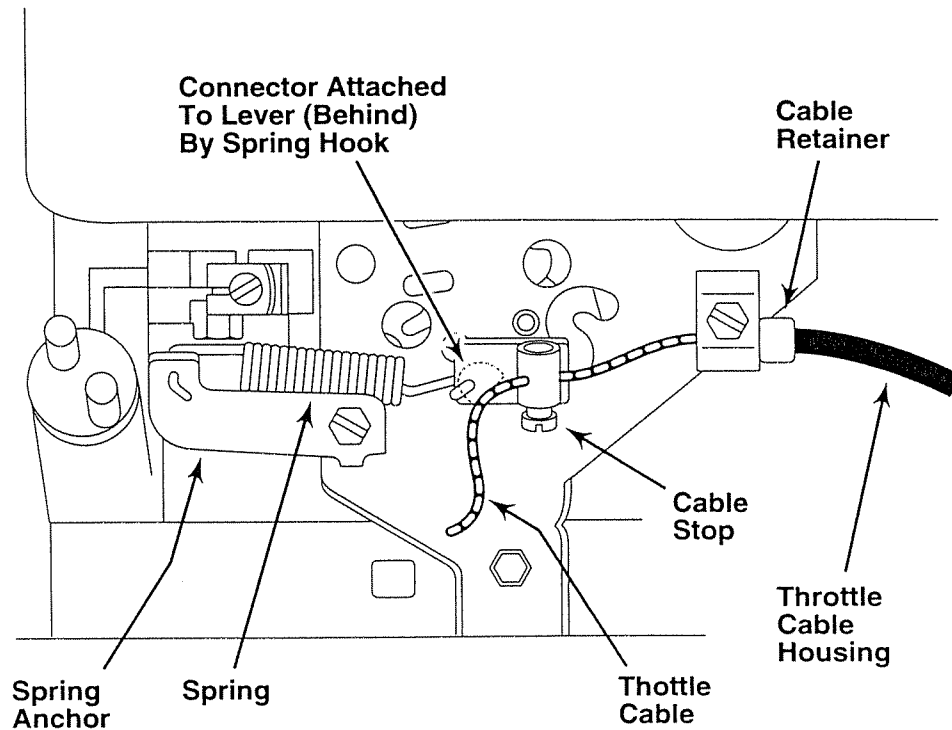


This Cover Mounts Outside of the Frame MTG Tab.

REF. NO.	PART NO.	DESCRIPTION
1		
2	3887	Spacer 1.0 I.D. x 1/8 Split Seam
3	2594	Driver Pulley
4	2468	Pilot Washer
5	2467	7/16 Lock Washer
6	2810	7/16-20 x 1-3/4 Hex Cap Screw Gr5
7	2448	Mounting Bracket
8	1130	3/8 Split Lock Washer
9	4070	3/8-16 x 3/4 Hex Cap Screw Gr5
10	2449	Tinnerman Clip C7343-1420-4
11	6365-2	TAV Chassis
12	5090	Bearing 5/8 I.D. w/Snap Ring
13	2430	Spanner 5/8 I.D. x 7-1/8
14	1937	Spacer 5/8 I.D. x 7/8 O.D. x 1/4
15	6317	Jackshaft
16	1136	5/8-18 Top Lock Hex Jam Nut
17	1031	Key 3/16 Sq. x 1/2 L
18	1125S	Sprocket 420 x 9 Tooth Steel
19	3403	Key 3/16 Sq. x 2 L
20	2432	Driven Pulley Mod 40

REF. NO.	PART NO.	DESCRIPTION
21	2433	Belt
22	2447	Chain Guard
23	2415	Torque Converter Cover
24	9006	1/4-20 x 1/2 Hex Flange Whiz
25		Not Used
26	1846	1/4-20 x 3/4 Hex Head Cap Screw Gr5
27	6548	Tinnerman Nut C17453-1420
28		Cover and Drive Plate
29	2470	Cam Roller
30	2471	Spring Clip
31	2472	Extension Spring
32		Moveable Face and Hub
33	2474	Guide Bushing
34	2475	Compression Spring
35		Spirol Retaining Ring
36		Fixed Face and Post
37	2516	Button Insert
38	2477	Retaining Ring
39	2478	Thrust Washer
40		Fixed Cam
41	2480	Torsion Spring
42		Moveable Face and Cam
43	2482	Bushing
44	2483	Spacer
45		Fixed Face and Post

THROTTLE CABLE INSTALLATION

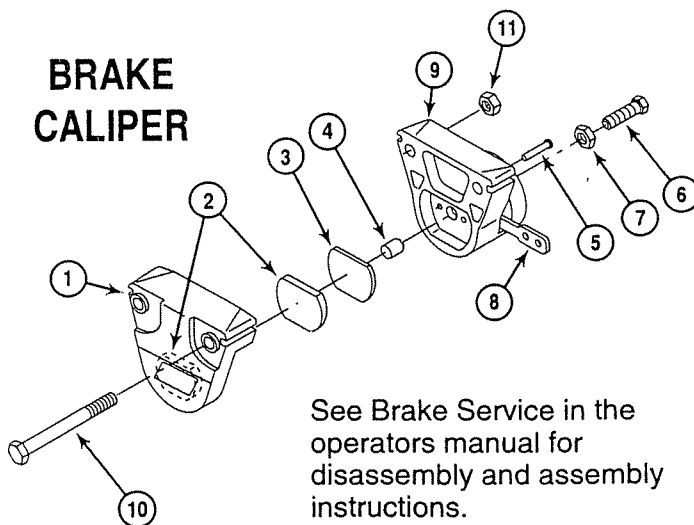


ASSEMBLY

Pass the throttle cable through the Cable Retainer and butt the throttle cable housing end against the inside shoulder of the Cable Retainer (the cable retainer is to be securely fastened to the engine with the clamping screw). Pass the end of the Throttle Cable through the hole in the bent end of the connector and through the Cable Stop. The Cable Stop should fit into the bend of the connector. Before tightening Cable Stop screw:

- 1 Ensure Spring Anchor, Spring and Connector are installed as illustrated above.
- 2 Ensure throttle pedal is in rearward (idle) position.
- 3 Ensure the Cable Stop is against the connector and no slack is in the Throttle Cable with *no* tension applied to the Spring.
- 4 Ensure Cable Housing is inside the Cable Retainer.

BRAKE CALIPER



REF. NO.	PART NO.	DESCRIPTION
ASM	6455	Caliper 9 O' Clock CCW
1	3929	3000-1005 MB-1 Anvil
NI		3000-9001 Lining Repair Kit (Includes Items 2 & 3)
2	3886	3000-1006 Brake Lining
3	3928	3000-1007 Backing Plate
4	3930	3000-1012 Actuator Pin
ASM	6534	3000-9008 MB-1 Service Kit (Includes Items 5, 8, & 9)
5		3000-1010 Groove Pin
6	3931	3000-1013 Adjuster Pin
7	3932	3000-1009 Jam Nut
8		3000-1004 Lever
9		3000-1003 Brake Housing
10	9158	3/8-16 x 2-1/4 HHCS Gr5
11	9085	3/8-16 Hex Lock Nut