

Operator's Manual SUPPLEMENT

MANCO MODEL NO.
389-11

WARNING:
Read Engine
Owner's Manual,
Vehicle Operator's
Manual, and
Supplement
Carefully Before
Operating
Vehicle.

Parts List



ORDERING PARTS

FAST & EASY!

- 1) Seek Part(s) from your models illustrated diagram, cross over REF# to PART#
- 2) Type PART# into sites [Search Box] at GoKartsRus.com TIP! - RIGHT CLICK LINK, SELECT OPEN IN NEW TAB
- 3) Add all needed parts to Shopping Cart | Complete "Checkout" | ✓ Done!

If a part does not come up in a Site Search, please [Contact Us](#) (include part# in email)

LOWEST PRICES!

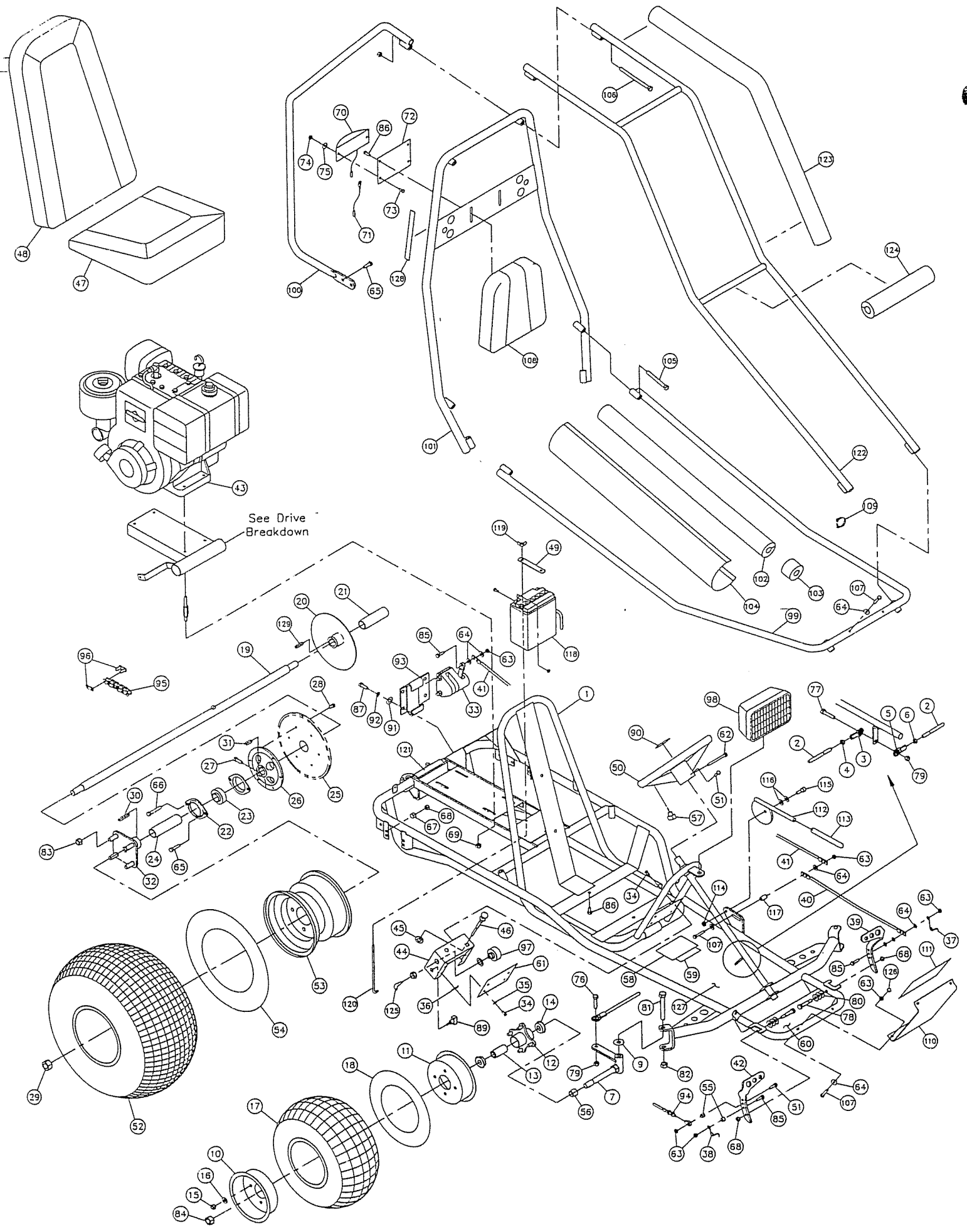
BEFORE OPERATING THIS VEHICLE, THE OWNER AND/OR OPERATOR MUST UNDERSTAND THE VEHICLE WAS NOT DESIGNED OR MANUFACTURED TO MEET SPECIFICATIONS FOR USE ON PUBLIC ROADS, STREETS, HIGHWAYS, OR THOROUGHFARES AND HAVE READ AND HAVE AN UNDERSTANDING OF ALL THE INSTRUCTIONS FOR SAFE ASSEMBLY AND OPERATION AS WELL AS THE INSTRUCTIONS GOVERNING THE ENGINE AND OTHER PORTIONS OF THE VEHICLE.

REPAIR PARTS - MODEL 389-11

REF. NO.	PART NO.	DESCRIPTION	REF. NO.	PART NO.	DESCRIPTION
	9640-2	Frame Weldment	66	6573	5/16-18 x 1-3/4 Hex Hd Cap Screw
ASM	6430	Tie Rod Assembly (incl. 2-6)	67	9674	Spacer 3/8"ID x 3/8
2	6431	Tie Rod	68	1189	5/16-18 Toplock Hex Nut
3	1414	Rod End, RH Thread	69	1263	5/16-18 Hex Flanged Whiz Nut
4	9092	3/8-24 Hex Jam Nut	70	6508	Tail Light Assembly
5	1415	Rod End, LH Thread	71	6319	Tail Light Ground Wire
6	9024	3/8-24 LH Hex Jam Nut	72	6305-2	Tail Light Bracket
7	2457	Spindle, RH	73	9106	#10-32 x 1/2 Hex Hd Mach Screw
8	2458	Spindle, LH	74	6193	#10-32 Hex Acorn Nut
9	9022	1/2" Flat Washer	75	6039	#10 Internal Lock Washer
ASM	9309FP	Wheel Assembly, Front (incl. 10-18)	76	9146	3/8-16 x 1-1/2 Hex Hd Cap Screw
10	4925-2	Wheel Half, 6" Outer	77	9145	3/8-16 x 1-3/4 Hex Hd Cap Screw
11	4926-2	Wheel Half, 6" Inner	78	1447	Pedal Bolt
12	9487-2	Wheel Hub	79	9085	3/8-16 Toplock Hex Nut
13	5950	Spanner, 5/8ID x 2-1/8	80	9091	3/8" Flat Washer
14	5090	Bearing, 5/8ID	81	1264	1/2-13 x 3-1/2 Hex Hd Cap Screw
15	2388	3/8-24 Hex Nut	82	1012	1/2-13 Toplock Hex Nut
16	1130	3/8 Split Lock Washer	83	1428	1/2-13 Cone Wheel Nut
17	4915	Tire, 145/70 x 6 Knobby	84	1046	5/8-11 Toplock Hex Nut
18	3802	Inner Tube, 6"	85	1847	1/4-20 x 1 Hex Hd Cap Screw
19	9694	Axle Shaft	86	5839	1/4-20 x 3/4 Flanged Whiz Screw
20	6314	Brake Rotor	87	2264	5/16-18 x 3/4 Hex Hd Cap Screw
21	6783	Spacer, 1" ID x 4-1/8	88	---	---
22	6617	Bearing Flange	89	6391	Light Switch Assembly
23	3941	Bearing, 1" ID	90	1689	Steering Wheel Decal
24	4660	Spacer, 1" ID x 4-7/16	91	9060	5/16 Flat Washer
ASM	6420	Sprocket Assembly (incl. 25-28)	92	1124	5/16 Split Lock Washer
25	6282	Sprocket, 420 x 54 Teeth	93	6490-2	Caliper Mounting Bracket
26	6280	Sprocket Hub	94	9345	Throttle Cable
27	6701	5/16-18 x 1" Soc. Hd Cap Screw	95	9343	Chain, 420 x 72 Links (incl. 96)
28	1876	1/4-20 x 5/8 Hex Flanged Whiz	96	2037	420 Masterlink
29	9162	3/4-10 Toplock Hex Nut	97	6344	Start Switch w/ Key
30	6123	Key, 1/4 sq. x 1-3/4	98	6364	Headlight Assembly
31	9680	Key, 1/4 x 3/8 x 1-1/4	99	9524-2	Front Bar Weldment
32	1557	Wheel Hub w/ Studs	100	9527-2	Rear Bar Weldment
33	9597	Brake Caliper Assembly	101	9522-2	Center Bar Weldment
34	6046	#10-24 x 1/2 Hex Hd Mach Screw	102	6524	Foam, 27-1/2" Black
35	6039	#10 Internal Lock Washer	103	6383	End Cap
36	5135	#10 Tinnerman Nut	104	6497	Custom Cover
37	9502	Pedal Spring, Left Wound	105	2386	3/8-16 x 3-1/2 Hex Hd Cap Screw
38	9503	Pedal Spring, Right Wound	106	6452	3/8-16 x 5 Hex Hd Cap Screw
39	1436	Brake Pedal	107	1849	1/4-20 x 1-1/2 Hex Hd Cap Screw
40	9638-2	Front Brake Rod	108	6384	Headrest
41	9639-2	Rear Brake Rod	109	9777	Plastic Hose Clamp - 7/8"ID
42	1437	Throttle Pedal	110	6395-2	Front Plate
43	9392	9-HP Engine	111	6604FP	Decal, Front Plate
44	6296-2	Control Box	112	6773-2	Parking Brake Handle
45	6353	Washer, Square Hole	113	6442	Brake Handle Cover
46	9344	Choke Cable	114	6440	5/16-18 Hex Jam Nut
47	9698	Seat Bottom	115	9172	3/8 x 1/4 Shoulder Bolt
48	6311	Seat Back	116	6441	3/8"ID Spring Washer
49	9642-2	Battery Clamp Bar	117	9869	Spacer, 5/16"ID x 5/8"
50	6038	Steering Wheel	118	3633	Battery)
51	9160	1/4-20 x 7/8 Hex Hd Cap Screw	119	9468	#10-32 Nyloc Wing Nut
ASM	1412	Wheel Assembly, Rear (incl. 52-54)	120	9430	Battery Hold Down Rod
52	1452	Tire, 22 x 11 - 8 Tubeless	121	2873	Decal, Trailer Load
53	1451	Wheel Rim, 8"	122	9525-2	Overhead Bar Weldment
54	1430	Inner Tube, 8" (Repair part only)	123	97588	Foam, 43" Black
55	1389	Bushing, 1/4"ID x 5/16	124	98088	Foam, 10" Black
56	5157	Spacer, 5/8"ID x 3/4	125	2290	Ignition Key
57	6394	Stop Switch Assembly	126	1443	1/4-20 Hex Acorn Nut
58	4504	Decal, Yellow Warning	127	6605	Decal, Floor Pan
59	2832	Decal, No Passenger	128	6540	Decal, Helmet Warning
60	1441	Decal, Front Floor Pan	129	1775	Key, 1/4 sq. x 1-1/4
61	9528-2	Cover Plate	NI	9247R1	Assembly Instructions
62	9080	1/4-20 x 2-3/4 Hex Hd Cap Screw	NI	9201	Dingo Owner's Manual
63	9057	1/4-20 Toplock Hex Nut	NI	6487	B&S 9-HP Engine Manual
64	1854	#14 Flat Washer			
65	9176	5/16-18 x 1 Hex Hd Cap Screw			

ASM = Assembly

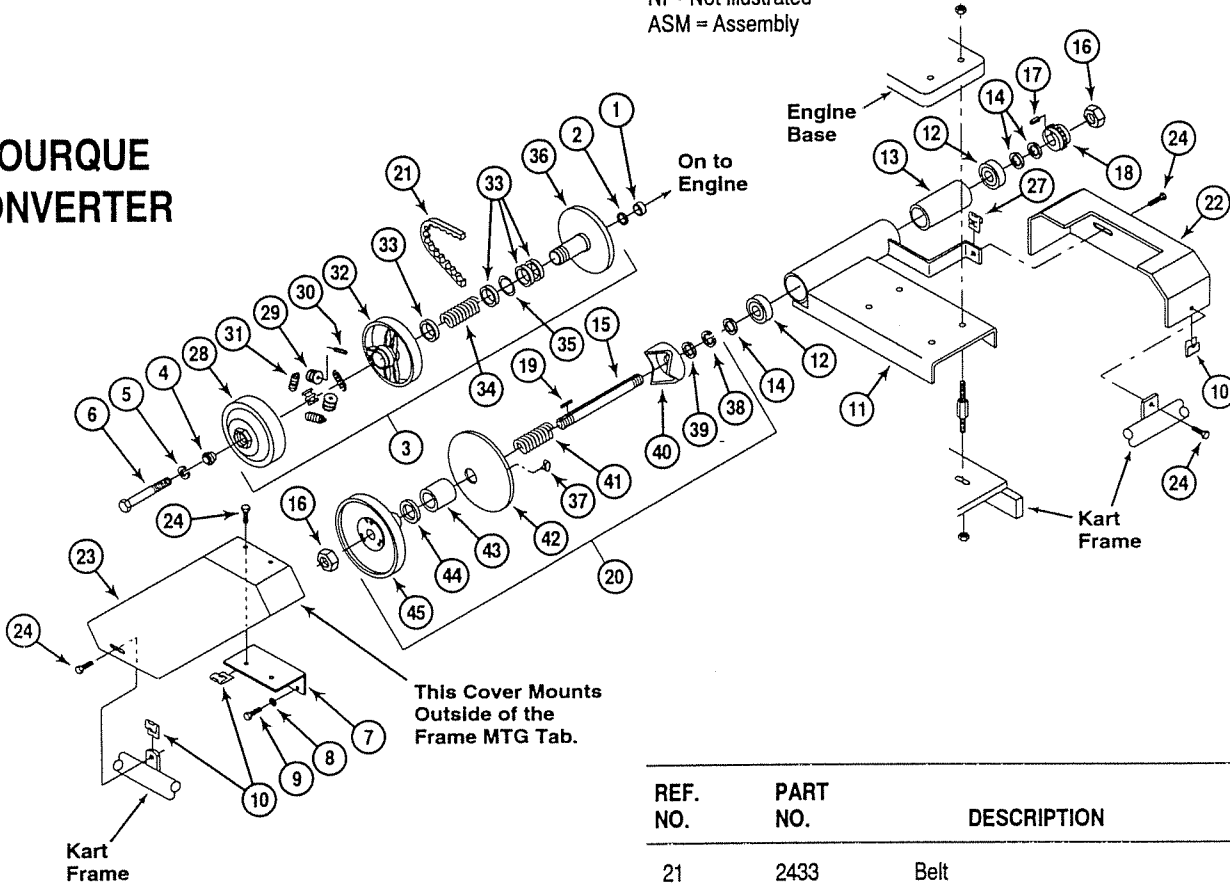
NI = Not Illustrated



REF. NO.	PART NO.	DESCRIPTION	REF. NO.	PART NO.	DESCRIPTION
120	6235	Rubber Washer 1/4 I.D. x 1/4 Thick	126	6312	Seatbottom
121	1443	1/4-20 Hex Acorn Nut	127	9058	5/16-24 Jam Nut
122	6232	5/16 Rubber Washer	128	6521	Battery Cable Mtg. Hdwr. Pk.
123	6332-2	Overhead Bar	129	4365	Ext. Spring .375 O.D.
124	6384	Headrest	130	5839	1/4-20 x 3/4 Hex Flange Whiz
125	6311	Seat Back	131	1441	Decal-Floor Pan Scuff

NI = Not Illustrated
 ASM = Assembly

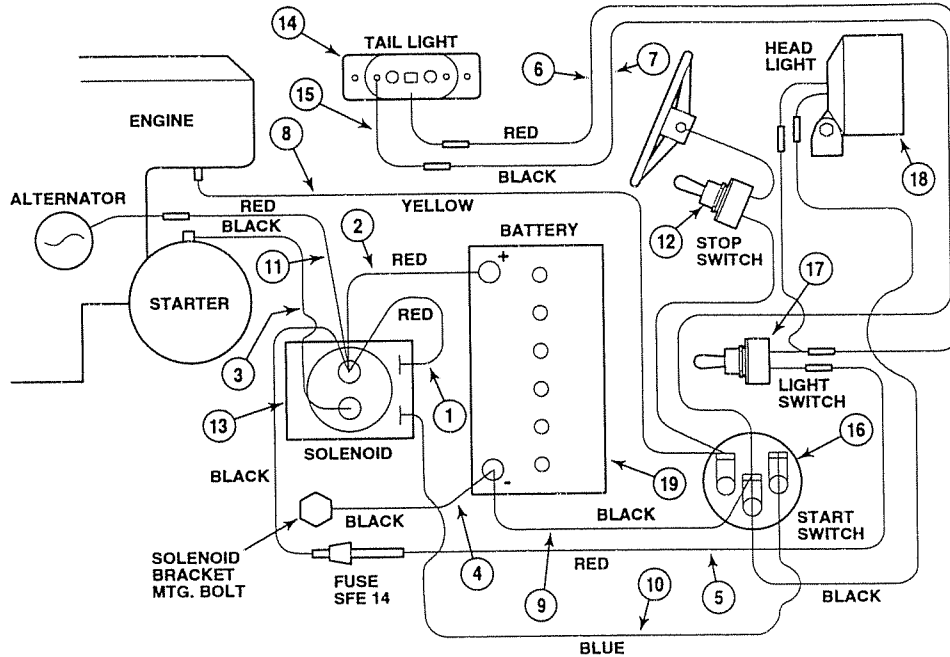
TOURQUE CONVERTER



REF. NO.	PART NO.	DESCRIPTION
1	1082	Spacer 1.0 I.D. x 7/16
2	3887	Spacer 1.0 I.D. x 1/8 Split Seam
3	2594	Driver Pulley
4	2468	Pilot Washer
5	2467	7/16 Lock Washer
6	3606	7/16-20 x 2.75 Hex Cap Screw Gr5
7	2448	Mounting Bracket
8	1130	3/8 Split Lock Washer
9	4070	3/8-16 x 3/4 Hex Cap Screw Gr5
10	2449	Tinnerman Clip C7343-1420-4
11	6365-2	TAV Chassis
12	5090	Bearing 5/8 I.D. w/Snap Ring
13	2430	Spanner 5/8 I.D. x 7-1/8
14	1937	Spacer 5/8 I.D. x 7/8 O.D. x 1/4
15	6317	Jackshaft
16	1136	5/8-18 Top Lock Hex Jam Nut
17	1031	Key 3/16 Sq. x 1/2 L
18	1125S	Sprocket 420 x 9 Tooth Steel
19	3403	Key 3/16 Sq. x 2 L
20	2432	Driven Pulley Mod 40

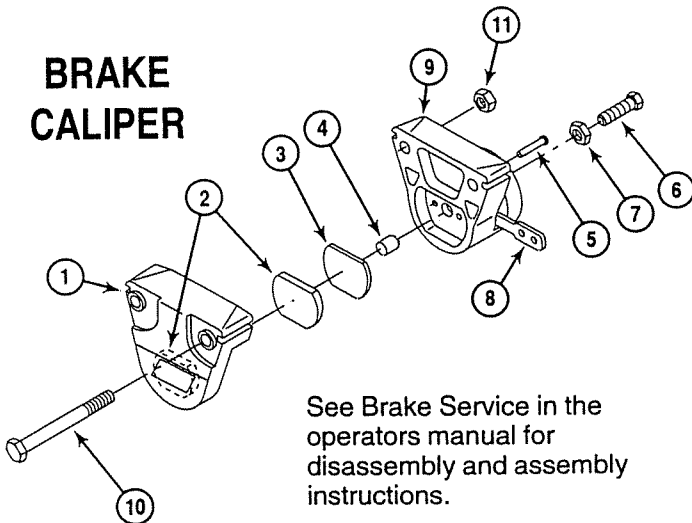
REF. NO.	PART NO.	DESCRIPTION
21	2433	Belt
22	6295-2	Chain Guard
23	2415	Torque Converter Cover
24	9006	1/4-20 x 1/2 Hex Flange Whiz
25		Not Used
26	1846	1/4-20 x 3/4 Hex Head Cap Screw Gr5
27	6548	Tinnerman Nut C17453-1420
28		Cover and Drive Plate
29	2470	Cam Roller
30	2471	Spring Clip
31	2472	Extension Spring
32		Moveable Face and Hub
33	2474	Guide Bushing
34	2475	Compression Spring
35		Spirol Retaining Ring
36		Fixed Face and Post
37	2516	Button Insert
38	2477	Retaining Ring
39	2478	Thrust Washer
40		Fixed Cam
41	2480	Torsion Spring
42		Moveable Face and Cam
43	2482	Bushing
44	2483	Spacer
45		Fixed Face and Post

WIRING DIAGRAM



REF. NO.	PART NO.	DESCRIPTION	REF. NO.	PART NO.	DESCRIPTION
1	2093	Red Wire 4 Inch 18Ga	12	6394	Stop Switch Assembly
2	3611	Battery Cable Red 9 Inch	13	2084	Solenoid
ASM	6494	Wiring Harness	14	6508	Tail Light Assembly
3	6516	Black Battery Cable 9 Inch	NI		Tail Light Bulb
4	3610	Black Battery Cable 9 Inch w/5/16 Term.	15	6319	Tail Light Ground Wire
5	6393	Solenoid/Light Switch Wire (Red)	16	6344	Start Switch
6	6392	Taillight/Light Switch Wire (Red)	17	6391	Light Switch
7	6388	Taillight/Switch Wire (Black)	ASM	6364	Headlight/Wire Assembly
8	6387	Engine/Switch Wire (Yellow)	18	2963	Headlight
9	6386	Battery. Gnd/Switch Wire (Black)	NI	2964	Headlight Bulb
10	6385	Solenoid/Switch Wire (Blue)	NI	6389	Headlight Pos. Wire Assembly
11	6381	Alternator Wire (Red)	NI	6390	Headlight Neg. Wire Assembly
NI	6506	Poly Loom 37 Inch	19	3633	Battery
NI	6505	Poly Loom 45 Inch	NI		Fuse SFE 14

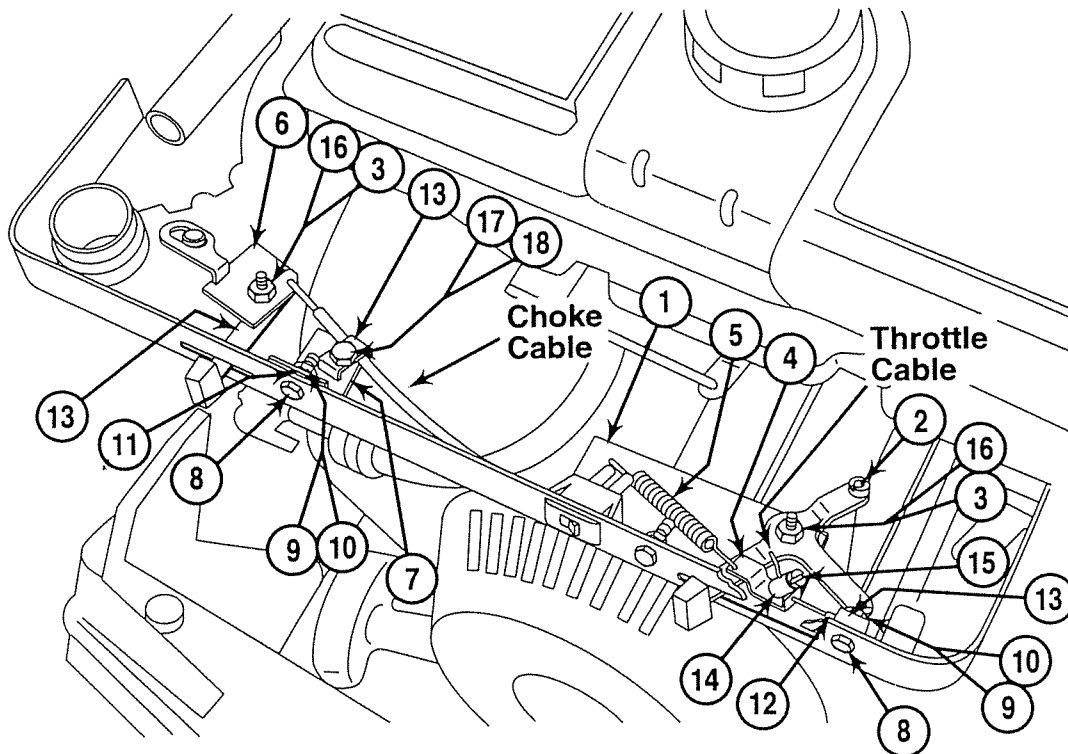
BRAKE CALIPER



See Brake Service in the operators manual for disassembly and assembly instructions.

REF. NO.	PART NO.	DESCRIPTION
ASM	6455	Caliper 9 O' Clock CCW
1	3929	3000-1005 MB-1 Anvil
NI		3000-9001 Lining Repair Kit (Includes Items 2 & 3)
2	3886	3000-1006 Brake Lining
3	3928	3000-1007 Backing Plate
4	3930	3000-1012 Actuator Pin
ASM	6534	3000-9008 MB-1 Service Kit (Includes Items 5, 8, & 9)
5		3000-1010 Groove Pin
6	3931	3000-1013 Adjuster Pin
7	3932	3000-1009 Jam Nut
8		3000-1004 Lever
9		3000-1003 Brake Housing
10	9158	3/8-16 x 2-1/4 HHCS Gr5
11	9085	3/8-16 Hex Lock Nut

9-HP ENGINE



ASSEMBLY

Throttle Cable: Pass the throttle cable through the Throttle Cable Retainer (Ref. 12) and butt the throttle cable housing end against the inside shoulder of the Throttle Cable Retainer. [The Throttle Cable Retainer is to be securely fastened to the engine with Cable Clamp (Ref. 13), Hex Nut (Ref. 10) and Lock Washer (Ref. 9)]. Pass the end of the throttle cable through the hole in the bent end of the Briggs Connector (Ref. 4) and through the Cable Stop Nut (Ref. 14). The Cable Stop Nut should fit into the bend of the connector. Before tightening the Swivel Screw (Ref. 15):

1. Ensure that the Throttle Spring Plate (Ref. 1), Extension Spring (Ref. 5), and Briggs Connector (Ref. 4) are installed as illustrated above.
2. Ensure that throttle pedal is in rearward (Idle) position.
3. Ensure that Cable Stop Nut is against the Briggs Connector and no slack exists in the throttle cable, with no tension applied to the spring.
4. Ensure cable housing is inside the Throttle Cable Retainer.

Choke Cable: Insert the choke wire into the Choke Actuator Adapter (Ref. 6). Clamp the cable housing to the Choke Cable Mount (Ref. 7) using Cable Clamp (Ref. 13), Screw (Ref. 17), and Locknut (Ref. 18).

NOTE: Before tightening the screw and nut, ensure that the choke knob is pushed all the way down and the choke housing is not binding. **DO NOT OVER TIGHTEN THE CLAMP NUT.** Ensure that the choke control moves in and out freely after tightening, if not, loosen the clamp screw slightly.

REF. NO.	PART NO.	DESCRIPTION	REF. NO.	PART NO.	DESCRIPTION
1	6361	Throttle Spring Plate	10	6371	M6 x 1.00 Hex Nut
2	6276	Throttle Lever	11	9060	5/16 Flat Washer
3	6397	Control Mtg. Spacer	12	1628	Throttle Cable Retainer
4	1285	Briggs Connector	13		Cable Clamps
5	3160	Extension Spring	14	2748	Cable Stop Nut
6	6362	Choke Actuator Adapter	15	2666	Swivel Screw
7	6363	Choke Cable Mount	16		M5 x 0.8 Locking Hex Nut
8	6370	M6 x 1.00 x 20 Hex Cap Screw Gr5	17	1846	1/4-20 x 3/4 Hex Head Screw Gr5
9	6372	M6 Split Lock Washer	18	9057	1/4-20 Top Lock Hex Nut

ADDENDUM TO OPERATOR'S MANUAL SUPPLEMENT

389-11

Please make the following corrections to the Drive Breakdown Section of your Operator's Manual Supplement:

CURRENT

Ref. No.	Part No.	Description
29	3887	Spacer, 1"ID x 1/16"
32	6374	Stud
39	2448	Mounting Bracket
42	2433	Drive Belt

CORRECTION

Ref. No.	Part No.	Description
		use quantity four (4) instead of two (2)
32	9332	Stud
39	9326-2	Mounting Bracket
42	6814	Drive Belt