

Operator's Manual SUPPLEMENT

Model No.
392E-0

WARNING:

Read Engine Owner's Manual, Vehicle Operator's Manual, and Supplement Carefully Before Operating Vehicle.

Parts List



ORDERING PARTS

FAST & EASY!

- 1) Seek Part(s) from your models illustrated diagram, cross over REF# to PART#
- 2) Type PART# into sites [Search Box] at GoKartsRus.com TIP! - RIGHT CLICK LINK, SELECT OPEN IN NEW TAB
- 3) Add all needed parts to Shopping Cart | Complete "Checkout" | ✓ Done!

If a part does not come up in a Site Search, please [Contact Us](#) (include part# in email)

LOWEST PRICES!

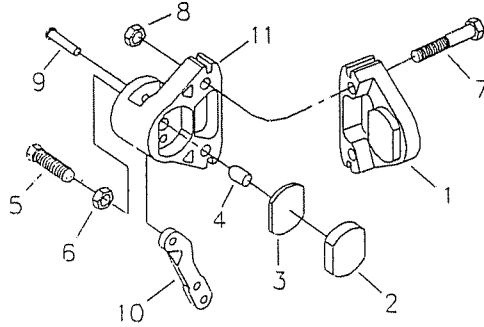
THIS VEHICLE IS FOR OFF-ROAD USE ONLY

BEFORE OPERATING THIS VEHICLE, THE OWNER AND/OR OPERATOR MUST UNDERSTAND THE VEHICLE WAS NOT DESIGNED OR MANUFACTURED TO MEET SPECIFICATIONS FOR USE ON STREETS, HIGHWAYS, OR THOROUGHFARES AND HAVE READ AND HAVE AN UNDERSTANDING OF ALL THE INSTRUCTIONS FOR SAFE ASSEMBLY AND OPERATION AS WELL AS THE INSTRUCTIONS GOVERNING THE ENGINE AND OTHER PORTIONS OF THE VEHICLE.

REPAIR PARTS - 392E-0

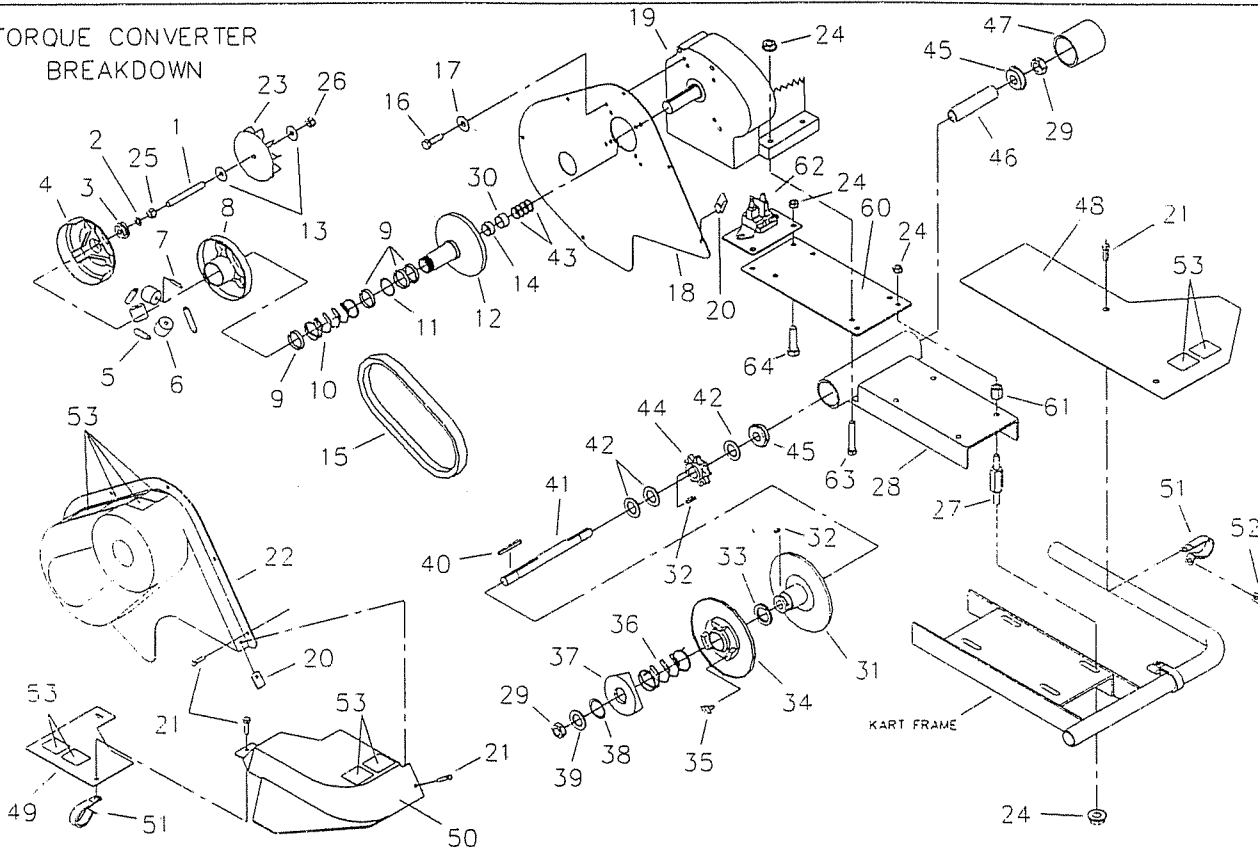
REF. NO.	PART NO.	DESCRIPTION	REF. NO.	PART NO.	DESCRIPTION
1	10711-5	Frame - Red	71	6573	Bolt, 5/16-18 x 1-3/4"
2	10421	Engine, 12HP Tecumseh	72	6617	Bearing Flange
3	5557	Seat Bottom	73	3941H	Bearing, 1" ID
4	8748	Seat Back	74	8223H	Axle Shaft
5	9343	Chain, 420 x 71 Links (incl. 6)	ASM	6420H	Sprocket Asm. (incl. 75-78)
6	2037	Master Link, 420 Chain	75	9006	Bolt, 1/4-20 x 1/2" Flanged Whiz
7	8711-5	Center Bar	76	6282	Sprocket, 420 x 54 Teeth
8	8702-5	Rear Bar	77	6701	Bolt, 5/16 x 1-1/4" Socket Head
9	8735	Headrest	78	6280H	Sprocket Hub
10	8714-5	Overhead Bar	79	6314H	Brake Rotor
11	8710-5	Front Bar	80	2265-16	Spacer, 1" ID x 3/4"
12	1854	Washer, No. 14 Flat	81	1263	Nut, 5/16-18 Flanged Whiz
13	1849	Bolt, 1/4-20 x 1-1/2"	82	9674-16	Spacer, 3/8 ID x 3/8"
14	6452	Bolt, 3/8-16 x 5"	83	8197	Brake Caliper Asm
15	9085	Nut, 3/8-16 Toplock	84	1441	Decal, Front Floor Pan Scuff
16	2386	Bolt, 3/8-16 x 3-1/2"	85	9834-2	Steering Crank Weldment
17	5839	Bolt, 1/4-20 x 3/4" Flanged Whiz	86	9873	Cam Follower Bearing
18	9176	Bolt, 5/16-18 x 1"	87	9872	Washer, 1/4 Flat
19	9145	Bolt, 3/8-16 x 1-3/4"	88	9871	Shoulder Bolt, 1/2 x 3"
ASM	6430	Tie Rod Asm. (incl. 20-24)	89	2257	Fairing
20	6431	Tie Rod	90	8445	Safety Flag
21	9092	Nut, 3/8-24 RH Jam	91	6305-2	Tail Light Bracket
22	1414	Rod End - RH	92	6508	Tail Light Assembly
23	9024	Nut, 3/8-24 LH Jam	93	9106	Bolt, #10-32 x 1/2"
24	1415	Rod End - LH	94	6319	Tail Light Ground Wire
25	9146	Bolt, 3/8-16 x 1-1/2"	95	6039	Washer, #10 Internal Lock
26	6038	Steering Wheel	96	6193	Nut, #10-32 Acorn
27	9080	Bolt, 1/4-20 x 2-3/4"	97	-----	
28	9160	Bolt, 1/4-20 x 7/8" Nylock	98	10572	Headlight Assembly
29	10573	Stop Switch Assembly	99	6046	Bolt, #10-24 x 1/2"
30	9172	Bolt, 3/8 x 1/4 Shoulder	100	5135	Nut, #10 Tinnerman
31	6441	Washer, 3/8 ID Spring	101	10574	Light Switch Assembly
32	6440	Nut, 5/16-18 Jam	102	9528-2	Cover Plate
33	6773-2	Parking Brake Handle	103	6344	Start Switch w/Key
34	6442	Brake Handle Cover	104	6313	Choke Cable
35	9057	Nut, 1/4-20 Toplock	105	6353	Washer, Square Hole
36	8215-2	Rear Brake Rod	106	6296-2	Control Box
37	8715-2	Front Brake Rod	107	2290	Ignition Key
38	9869	Spacer, 1/4 ID x 5/16 OD x 5/8"	108	9430	Battery Hold Down Rod
39	9502	Spring, Left Wound	109	3633	Battery
40	6293-16	Pedal, Brake	110	9642-2	Battery Clamp Bar
41	1847	Bolt, 1/4-20 x 1"	111	9468	Nut, #10-32 Nylock Wing
42	1189	Nut, 5/16-18 Toplock	112	10402-2	Seat Frame
43	9091	Washer, 3/8 Flat	113	6734	Seat Slide - pair
44	1447	Pedal Bolt	114	8373	Seat Belt Shoulder / Lap
45	9709	Compression Spring	115	11329	Decal Sheet, Center Bar Warnings
46	9188	Bolt, 1/2-13 x 1-1/2"	116	11330	Decal Sheet, Main Frame and Engine Warnings
47	5682	Bolt, 1/2-13 x 5-1/2"	NI	9247R5	Assembly Instructions
48	9022	Washer, 1/2 Flat	NI	6477	Dingo Operator's Manual
49	1012	Nut, 1/2-13 Toplock	NI	8834	Tecumseh 12hp Engine Manual
50	2457-2Z	Spindle, Right			
NI	2458-2Z	Spindle, Left			
51	5157-16	Spacer, 5/8 ID x 3/4"	ASM = Assembly		
52	6309-16	Pedal, Throttle	NI = Not Illustrated		
53	1389	Bushing, 1/4 ID x 5/16"			
54	9503	Spring, Right Wound			
55	9345	Throttle Cable			
56	5090	Bearing, 5/8 ID			
57	5950	Spanner, 5/8 ID x 2-1/8"			
58	9309FP	Wheel Assembly, Front			
59	1046	Nut, 5/8-11 Toplock			
60	3802	Inner Tube, 6"			
61	4915	Tire, 145/70 x 6 Knobby			
62	9162	Nut, 3/4-10 Toplock			
ASM	1412	Wheel Asm, Rear (incl. 63-65)			
63	1452	Tire, 22 x 11 - 8 Tubeless			
64	1430	Inner Tube, 8" (Repair Part Only)			
65	1451	Wheel Rim, 8"			
66	1428	Nut, 1/2-13 Cone Wheel			
67	1557H	Wheel Hub w/Studs			
68	9060	Washer, 5/16" Flat			
69	4660-16	Spacer, 1" ID x 4-7/16"			
70	K392	Axle Guard Repair Kit			

CALIPER BREAKDOWN



REF. NO	PART NO	DESCRIPTION
ASM	8197	Brake Caliper (incl. 1-11)
ASM	9810	Brake Pad Svc Kit (incl. 1-3)
1	*	Anvil w/Lining
2	*	Brake Lining
3	3928	Backing Plate
4	3930	Actuator Pin
5	3931	Adjuster Pin
6	3932	Nut, Jam
7	9158	Bolt, 3/8-16 x 2-1/4"
8	9085	Nut, 3/8-16 Toplock
ASM	6534	MB-1 Service Kit (incl. 9-11)
9	*	Groove Pin
10	*	Lever
11	*	Brake Housing

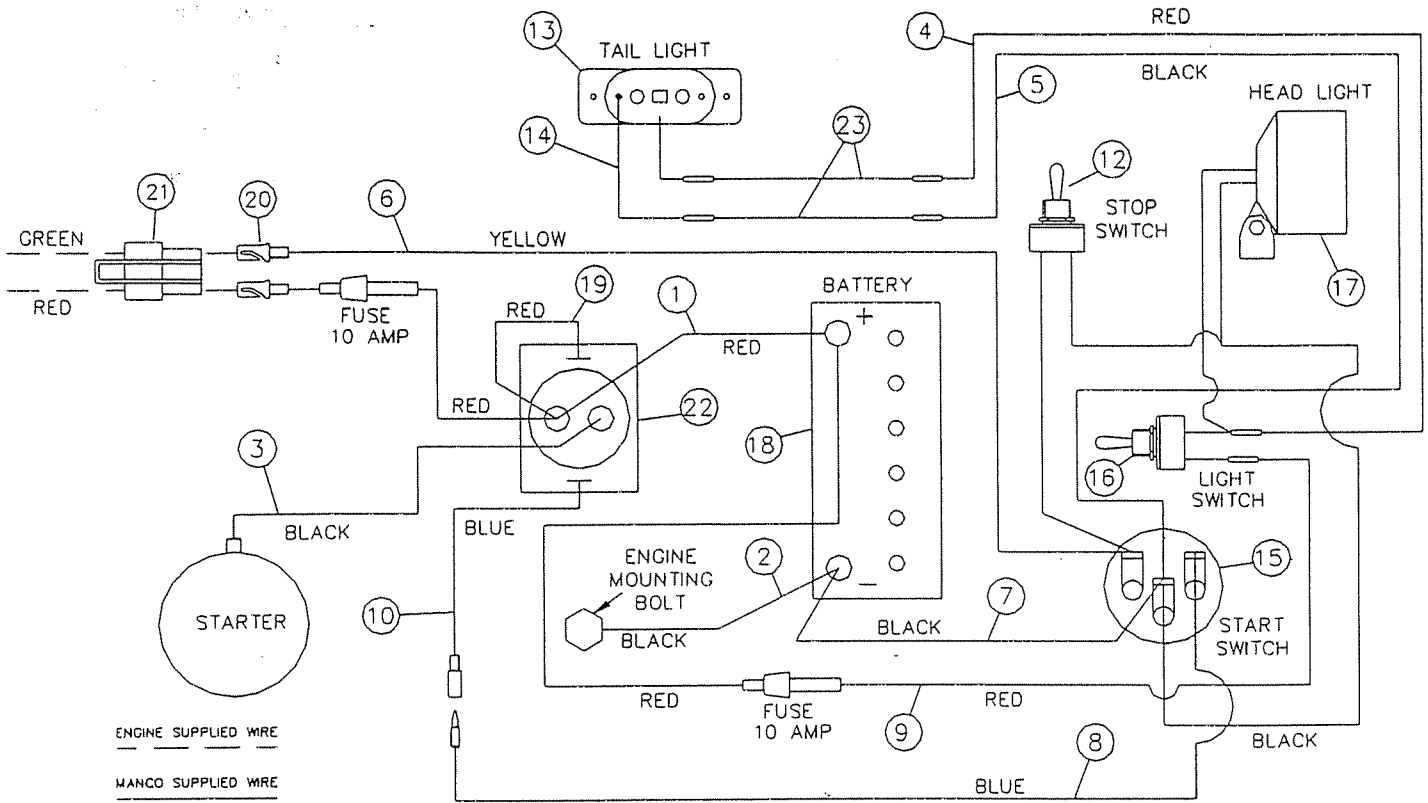
TORQUE CONVERTER BREAKDOWN



REF. NO	PART NO	DESCRIPTION	REF. NO	PART NO	DESCRIPTION	REF. NO	PART NO	DESCRIPTION
1	8689	Stud, 3/8-24 x 4-1/4"	23	8600	Impeller	45	5090	Bearing
2	1130	Washer, 3/8 Split Lock	24	1263	Nut, 5/16-18 Flange	46	2430	Spanner
3	2468	Washer, Pilot	25	2388	Nut, 3/8-24 Hex	47	8194	Cap, Plastic
ASM	2594	Driver Pulley Assembly (incl. REF. 4-12)	26	9123	Nut, 3/8-24 Toplock Hex	48	8878	Right Deck Cover
4	*	Cover and Drive Plate	27	9186	Bolt, 5/16-18 x 1-1/2"	49	8922	Left Deck Cover
5	2472	Extension Spring	28	8908	Chassis	50	8921	Caliper Cover - Left
6	2470	Cam Roller	29	1466	Nut, 5/8-11 Flexlok Jam	51	8266	Loop Clip
7	2471	Spring Clip	30	4914	Spacer, 1" ID x 9/16	52	8227	Clip Nut
8	*	Moveable Face and Hub	ASM	8664	Driven Pulley Assembly (incl. REF. 31-39)	53	11330	Decal Sheet, Main Frame and Engine Warnings
9	2474	Guide Bushing	31	*	Fixed Face and Post	54	---	---
10	2475	Compression Spring	32	1031	Key, 3/16sq x 1/2"	55	---	---
11	*	Retaining Ring	33	2483	Spacer	56	---	---
12	*	Fixed Face and Post	34	*	Moveable Face and Cam	57	---	---
13	9125	Washer, 3/8 Flat	35	2516	Button Insert	58	9176	Bolt, 5/16-18 x 1"
14	1082	Spacer, 1" ID x 7/16	36	2480	Torsion Spring	59	9030	Washer, 5/16 Int. Lock
15	6814	Belt, Symmetrical	37	*	Fixed Cam	60	10411	Adapter Plate
16	9101	Bolt, 5/16-24 x 3/4"	38	2478	Thrust Washer	61	8506	Engine Standoff
17	9060	Washer, 5/16 Plain	39	2477	Retaining Ring	62	8679	Solenoid Assembly
18	8745	Cover Panel	40	3403	Key, 3/16sq x 2"	63	9186	Bolt, 5/16-18 x 1-1/2"
19	10421	Engine, 12HP Tecumseh	41	8854	Jackshaft, 13 69"	64	2264	Bolt, 5/16-18 x 3/4"
20	2449	Nut, Tinnerman	42	1119	Spacer, 5/8ID x 1/8"			
21	9006	Bolt, 1/4-20 x 1/2" Whiz	43	3887	Spacer, 1" ID x 1/16			
22	8739	Cover Assembly	44	1125S	Sprocket, 9T #420			

* = Not Available Separately
 ASM = Assembly NI = Not Illustrated

WIRING DIAGRAM



ENGINE SUPPLIED WIRE

MANCO SUPPLIED WIRE

REF NO.	PART NO.	DESCRIPTION	REF NO.	PART NO.	DESCRIPTION
1	3611	Battery Cable, Red 9 in.	13	6508	Tail Light Assembly
2	3610	Battery Cable, Black 9 in.	14	6319	Wire, Taillight Ground
3	3611	Battery Cable, Red 9 in.	15	6344	Start Switch
ASM	9376P	Wiring Harness (incl. 4-9)	16	10574	Light Switch Assembly
4	-----	Wire, Taillight/Light Switch (Red)	17	10572	Headlight Assembly
5	-----	Wire, Taillight/Switch (Black)	NI	2964	Headlight Bulb
6	-----	Wire, Engine/Switch (Yellow)	18	3633	Battery
7	-----	Wire, Batt Gnd/Switch (Black)	19	2093	Solenoid Jumper Wire Assembly
8	-----	Wire, Solenoid/Switch (Blue)	20	10437	Terminal, PE Male Spade
9	-----	Wire, Solenoid/Light Switch (Red)	21	10438	Housing, PE
10	8281	Start Wire Adapter	22	2084	Solenoid
11	-----		23	8504	Extension Wire Assembly
NI	6378	Poly Loom 1/2" per foot	NI	9389	Fuse, 10 Amp
NI	6763	Poly Loom "Tee"	NI	6304-2	Solenoid Bracket, Black
NI	6813	Poly Loom "Outlet"			
12	10573	Stop Switch Assembly			

NI = Not Illustrated

ASM = Assembly

ORDERING PARTS

- 1) Seek Part(s) from your models illustrated diagram, cross over REF# to PART#
- 2) Type PART# into sites [Search Box] at GoKartsRus.com TIP! - RIGHT CLICK LINK, SELECT OPEN IN NEW TAB
- 3) Add all needed parts to Shopping Cart | Complete "Checkout" | **Done!**

If a part does not come up in a Site Search, please [Contact Us](#) (include part# in email)

FAST & EASY!

LOWEST PRICES!