

Operator's Manual SUPPLEMENT

MANCO MODEL NO.
393-00

WARNING:
Read Engine
Owner's Manual,
Vehicle Operator's
Manual, and
Supplement
Carefully Before
Operating
Vehicle.

Parts List



ORDERING PARTS

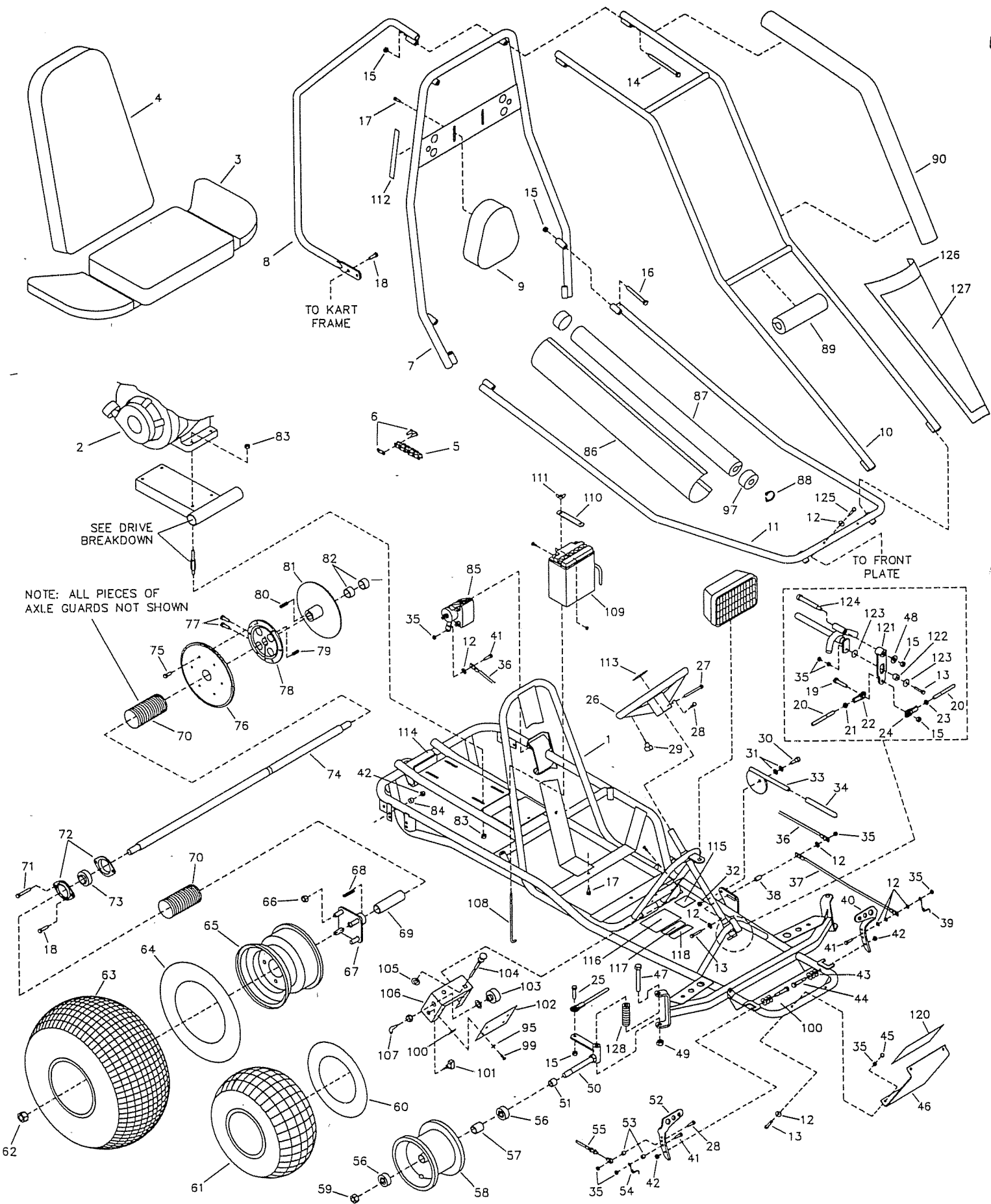
FAST & EASY!

- 1) Seek Part(s) from your models illustrated diagram, cross over REF# to PART#
- 2) Type PART# into sites [Search Box] at GoKartsRus.com TIP! - RIGHT CLICK LINK, SELECT OPEN IN NEW TAB
- 3) Add all needed parts to Shopping Cart | Complete "Checkout" | **✓ Done!**

If a part does not come up in a Site Search, please [Contact Us](#) (include part# in email)

LOWEST PRICES!

BEFORE OPERATING THIS VEHICLE, THE OWNER AND/OR OPERATOR MUST UNDERSTAND THE VEHICLE WAS NOT DESIGNED OR MANUFACTURED TO MEET SPECIFICATIONS FOR USE ON PUBLIC ROADS, STREETS, HIGHWAYS, OR THOROUGHFARES AND HAVE READ AND HAVE AN UNDERSTANDING OF ALL THE INSTRUCTIONS FOR SAFE ASSEMBLY AND OPERATION AS WELL AS THE INSTRUCTIONS GOVERNING THE ENGINE AND OTHER PORTIONS OF THE VEHICLE.

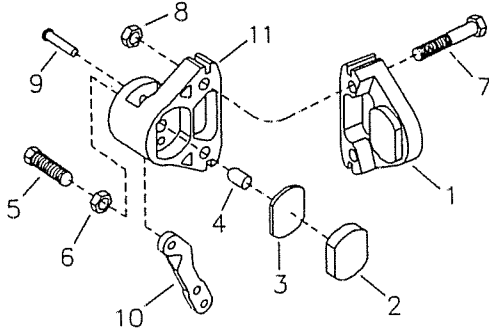


REPAIR PARTS - 393-00

| REF. NO. | PART NO. | DESCRIPTION | REF. NO. | PART NO. | DESCRIPTION |
|----------|----------|-----------------------------------|----------|----------|--|
| 1 | 8694-5 | Frame - Red | 69 | 4660 | Spacer, 1" ID x 4-7/16" |
| 2 | 8111 | Engine, 13HP Honda | 70 | K389-12 | Axle Guard Repair Kit |
| 3 | 5160 | Seat Bottom | 71 | 6573 | Bolt, 5/16-18 x 1-3/4" |
| 4 | 8748 | Seat Back | 72 | 6617 | Bearing Flange |
| 5 | 9343 | Chain, 420 x 71 Links (incl. 6) | 73 | 3941 | Bearing, 1" ID |
| 6 | 2037 | Master Link, 420 Chain | 74 | 8223 | Axle Shaft |
| 7 | 8711-5 | Center Bar | ASM | 6420 | Sprocket Asm. (incl. 75-78) |
| 8 | 8702-5 | Rear Bar | 75 | 9006 | Bolt, 1/4-20 x 1/2" Flanged Whiz |
| 9 | 8735 | Headrest | 76 | 6282 | Sprocket, 420 x 54 Teeth |
| 10 | 8714-5 | Overhead Bar | 77 | 6701 | Bolt, 5/16 x 1-1/4" Socket Head |
| 11 | 8710-5 | Front Bar | 78 | 6280 | Sprocket Hub |
| 12 | 1854 | Washer, No. 14 Flat | 79 | 9680 | Key, 1/4 x 3/8 x 1-1/4" |
| 13 | 1849 | Bolt, 1/4-20 x 1-1/2" | 80 | 1775 | Key, 1/4 sq. x 1-1/4" |
| 14 | 6452 | Bolt, 3/8-16 x 5" | 81 | 6314 | Brake Rotor |
| 15 | 9085 | Nut, 3/8-16 Toplock | 82 | 2265 | Spacer, 1" ID x 3/4" |
| 16 | 2386 | Bolt, 3/8-16 x 3-1/2" | 83 | 1263 | Nut, 5/16-18 Flanged Whiz |
| 17 | 5839 | Bolt, 1/4-20 x 3/4" Flanged Whiz | 84 | 9674 | Spacer, 3/8 ID x 3/8" |
| 18 | 9176 | Bolt, 5/16-18 x 1" | 85 | 8197 | Brake Caliper Asm. |
| 19 | 9145 | Bolt, 3/8-16 x 1-3/4" | 86 | 8729 | Arm Pad Cover |
| ASM | 6430 | Tie Rod Asm. (Incl. 20-24) | 87 | 8726 | Foam, 26" Gray |
| 20 | 6431 | Tie Rod | 88 | 8730 | Plastic Hose Clamp, 1-1/4" ID |
| 21 | 9092 | Nut, 3/8-24 RH Jam | 89 | 8732 | Foam, 9-1/2" Gray |
| 22 | 1414 | Rod End - RH | 90 | 8725 | Foam, 37" Gray |
| 23 | 9024 | Nut, 3/8-24 LH Jam | 91 | 6305-2 | Tail Light Bracket |
| 24 | 1415 | Rod End - LH | 92 | 6508 | Tail Light Assembly |
| 25 | 9146 | Bolt, 3/8-16 x 1-1/2" | 93 | 9106 | Bolt, #10-32 x 1/2" |
| 26 | 6038 | Steering Wheel | 94 | 6319 | Tail Light Ground Wire |
| 27 | 9080 | Bolt, 1/4-20 x 2-3/4" | 95 | 6039 | Washer, #10 Internal Lock |
| 28 | 9160 | Bolt, 1/4-20 x 7/8" Nylock | 96 | 6193 | Nut, #10-32 Acorn |
| 29 | 9799 | Stop Switch Assembly | 97 | 6880 | End Cap |
| 30 | 9172 | Bolt, 3/8 x 1/4 Shoulder | 98 | 6364 | Headlight Assembly |
| 31 | 6441 | Washer, 3/8 ID Spring | 99 | 6046 | Bolt, #10-24 x 1/2" |
| 32 | 6440 | Nut, 5/16-18 Jam | 100 | 5135 | Nut, #10 Tinnerman |
| 33 | 6773-2 | Parking Brake Handle | 101 | 6391 | Light Switch Assembly |
| 34 | 6442 | Brake Handle Cover | 102 | 9528-2 | Cover Plate |
| 35 | 9057 | Nut, 1/4-20 Toplock | 103 | 6344 | Start Switch w/Key |
| 36 | 8215-2 | Rear Brake Rod | 104 | 8118 | Choke Cable |
| 37 | 9638-2 | Front Brake Rod | 105 | 6353 | Washer, Square Hole |
| 38 | 9869 | Spacer, 1/4 ID x 5/16 OD x 5/8" | 106 | 6296-2 | Control Box |
| 39 | 9502 | Spring, Left Wound | 107 | 2290 | Ignition Key |
| 40 | 1436 | Pedal, Brake | 108 | 9430 | Battery Hold Down Rod |
| 41 | 1847 | Bolt, 1/4-20 x 1" | 109 | 3633 | Battery |
| 42 | 1189 | Nut, 5/16-18 Toplock | 110 | 9642-2 | Battery Clamp Bar |
| 43 | 9091 | Washer, 3/8 Flat | 111 | 9468 | Nut, #10-32 Nylock Wing |
| 44 | 1447 | Pedal Bolt | NI | 9677 | Decal, Warning: Hot Surfaces (on engine) |
| 45 | 1443 | Nut, 1/4-20 Acorn | NI | 9678 | Decal, Warning: Engine Exhaust (on engine) |
| 46 | 6395-5 | Front Plate - Red | NI | 5964 | Decal, Oil Warning (on engine) |
| 47 | 5682 | Bolt, 1/2-13 x 5-1/2" | 112 | 6540 | Decal, Warning: Wear Helmet |
| 48 | 9022 | Washer, 1/2 Flat | 113 | 1689 | Decal, Steering Wheel |
| 49 | 1012 | Nut, 1/2-13 Toplock | 114 | 2873 | Decal, Trailer Load |
| 50 | 2457 | Spindle, Right | 115 | 8138 | Decal, Warning: Entanglement |
| NI | 2458 | Spindle, Left | 116 | 4504 | Decal, Yellow Warning |
| 51 | 5157 | Spacer, 5/8 ID x 3/4" | 117 | 2832 | Decal, No Passengers |
| 52 | 1437 | Pedal, Throttle | 118 | 8153 | Decal, Age Restriction |
| 53 | 1389 | Bushing, 1/4 ID x 5/16" | 119 | 1441 | Decal, Front Floor Pan |
| 54 | 9503 | Spring, Right Wound | 120 | 8830 | Decal, Front Plate |
| 55 | 9345 | Throttle Cable | 121 | 9834-2 | Steering Crank Weldment |
| 56 | 5090 | Bearing, 5/8 ID | 122 | 9873 | Cam Follower Bearing |
| 57 | 5950 | Spanner, 5/8 ID x 2-1/8" | 123 | 9872 | Washer, 1/4 Flat |
| 58 | 9309FP | Wheel Assembly, Front | 124 | 9871 | Shoulder Bolt, 1/2 x 3" |
| 59 | 1046 | Nut, 5/8-11 Toplock | 125 | 1865 | Bolt, 1/4-20 x 1-3/4" |
| 60 | 3802 | Inner Tube, 6" | 126 | 2257 | Fairing |
| 61 | 4915 | Tire, 145/70 x 6 Knobby | 127 | 8734 | Fairing Decal |
| 62 | 9162 | Nut, 3/4-10 Toplock | 128 | 9709 | Compression Spring |
| ASM | 1412 | Wheel Asm, Rear (incl. 63-65) | NI | 9247R4 | Assembly Instructions |
| 63 | 1452 | Tire, 22 x 11 - 8 Tubeless | NI | 6477 | Dingo Operator's Manual |
| 64 | 1430 | Inner Tube, 8" (Repair Part Only) | NI | 8121 | Honda Engine Manual |
| 65 | 1451 | Wheel Rim, 8" | | | |
| 66 | 1428 | Nut, 1/2-13 Cone Wheel | | | |
| 67 | 1557 | Wheel Hub w/Studs | | | |
| 68 | 6123 | Key, 1/4 sq. x 1-3/4" | | | |

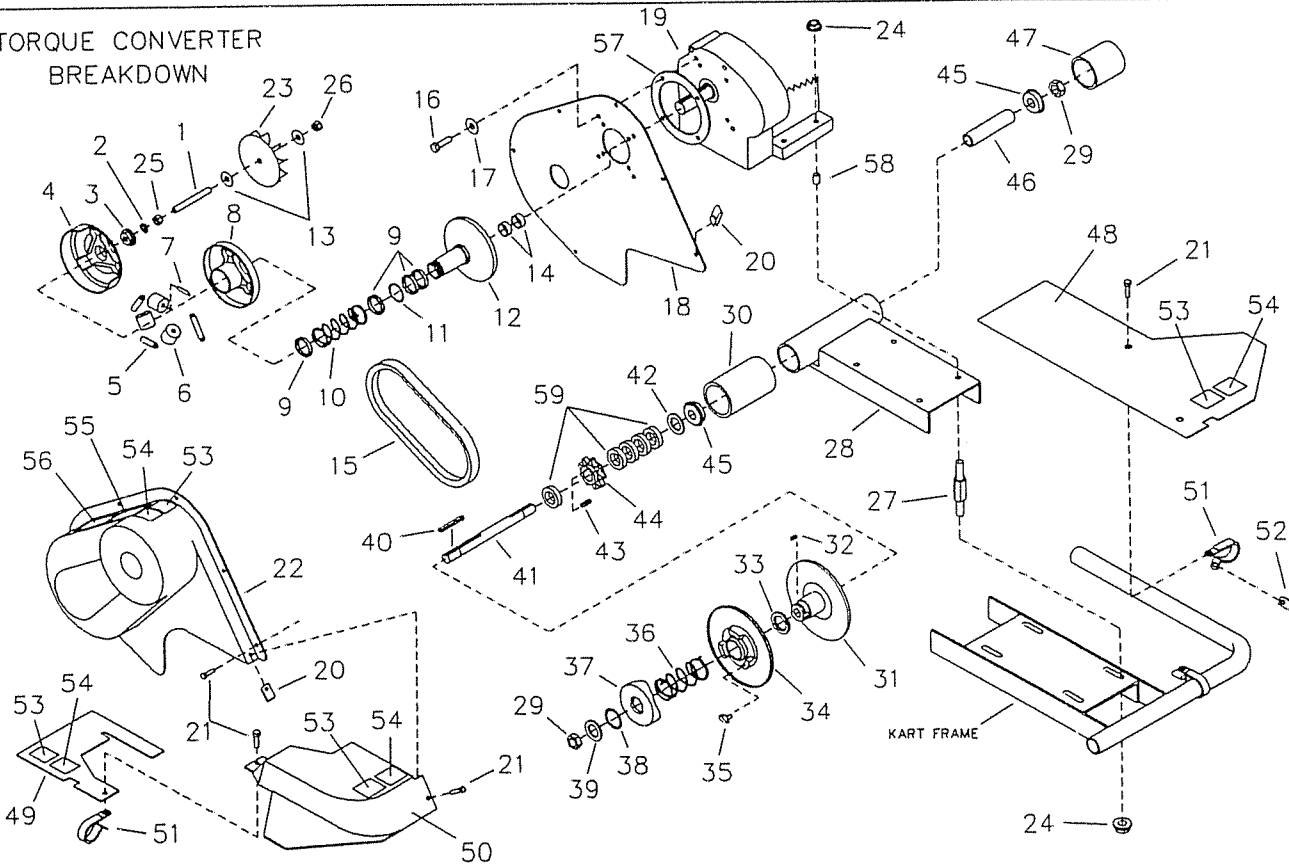
ASM = Assembly
NI = Not Illustrated

CALIPER BREAKDOWN



| REF. NO | PART NO | DESCRIPTION |
|---------|---------|-------------------------------|
| ASM | 8197 | Brake Caliper (incl. 1-11) |
| ASM | 9810 | Brake Pad Svc Kit (incl. 1-3) |
| 1 | * | Anvil w/Lining |
| 2 | * | Brake Lining |
| 3 | 3928 | Backing Plate |
| 4 | 3930 | Actuator Pin |
| 5 | 3931 | Adjuster Pin |
| 6 | 3932 | Nut, Jam |
| 7 | 9158 | Bolt, 3/8-16 x 2-1/4" |
| 8 | 9085 | Nut, 3/8-16 Toplock |
| ASM | 6534 | MB-1 Service Kit (incl. 9-11) |
| 9 | * | Groove Pin |
| 10 | * | Lever |
| 11 | * | Brake Housing |

TORQUE CONVERTER BREAKDOWN



27



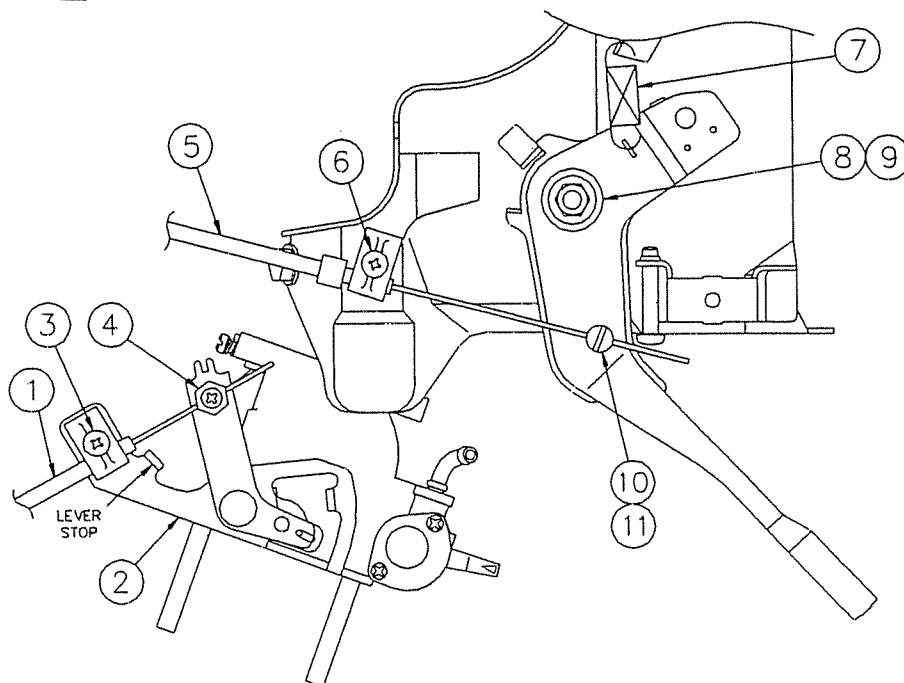
| REF. NO | PART NO | DESCRIPTION |
|---------|---------|--|
| 1 | 8689 | Stud, 3/8-24 x 4-1/4" |
| 2 | 1130 | Washer, 3/8 Split Lock |
| 3 | 2468 | Washer, Pilot |
| ASM | 2594 | Driver Pulley Assembly (incl. REF. 4-12) |
| 4 | * | Cover and Drive Plate |
| 5 | 2472 | Extension Spring |
| 6 | 2470 | Cam Roller |
| 7 | 2471 | Spring Clip |
| 8 | * | Moveable Face and Hub |
| 9 | 2474 | Guide Bushing |
| 10 | 2475 | Compression Spring |
| 11 | * | Retaining Ring |
| 12 | * | Fixed Face and Post |
| 13 | 9125 | Washer, 3/8 Flat |
| 14 | 1082 | Spacer, 1" ID x 7/16 |
| 15 | 6814 | Belt, Symmetrical |
| 16 | 9101 | Bolt, 5/16-24 x 3/4" |
| 17 | 9060 | Washer, 5/16 Plain |
| 18 | 8745 | Cover Panel |
| 19 | 8111 | Engine, 13HP Honda |
| 20 | 2449 | Nut, Tinnerman |
| 21 | 9006 | Bolt, 1/4-20 x 1/2" Whlz Flange |
| 22 | 8739 | Cover Assembly |

| REF. NO | PART NO | DESCRIPTION |
|---------|---------|---|
| 23 | 8600 | Impeller |
| 24 | 1263 | Nut, 5/16-18 Flange |
| 25 | 2388 | Nut, 3/8-24 Hex |
| 26 | 9123 | Nut, 3/8-24 Toplock Hex |
| 27 | 6374 | Engine Support Stud |
| 28 | 8209-2 | Chassis |
| 29 | 9155 | Nut, 5/8-11 Jam |
| 30 | G0312 | Guard, 3.12" |
| ASM | 8664 | Driven Pulley Assembly (incl. REF. 31-39) |
| 31 | * | Fixed Face and Post |
| 32 | 1031 | Key, 3/16sq x 1/2" |
| 33 | 2483 | Spacer |
| 34 | * | Moveable Face and Cam |
| 35 | 2516 | Button Insert |
| 36 | 2480 | Torsion Spring |
| 37 | * | Fixed Cam |
| 38 | 2478 | Thrust Washer |
| 39 | 2477 | Retaining Ring |
| 40 | 3403 | Key, 3/16sq x 2" |
| 41 | 8693 | Jacksaft 14.75" |
| 42 | 1119 | Spacer, 5/8ID x 1/8" |
| 43 | 8721 | Key, 3/16 x 1/8 x 1/2" |
| 44 | 8720 | Sprocket, 9T #420 Half-Keyway |

| REF. NO | PART NO | DESCRIPTION |
|---------|---------|------------------------------|
| 45 | 5090 | Bearing |
| 46 | 2430 | Spanner |
| 47 | 8194 | Cap, Plastic |
| 48 | 8878 | Right Deck Cover |
| 49 | 8879 | Left Deck Cover |
| 50 | 8876 | Caliper Cover |
| 51 | 8266 | Loop Clip |
| 52 | 8227 | Clip Nut |
| 53 | 1049 | Decal, Caution |
| 54 | 4912 | Decal, Warning: Guard |
| 55 | 8138 | Decal, Warning: Entanglement |
| 56 | 6958 | Decal, Tire Pressure |
| 57 | 8880 | Spacer Ring |
| 58 | 9533 | Engine Stud Bushing |
| 59 | 1937 | Spacer, 5/8" I.D. x 1/4" |
| NI | 9677 | Decal, Warning: Hot Surfaces |
| NI | 9678 | Decal, Warning: Eng. Exhaust |
| NI | 5964 | Decal, Oil Warning |

* = Not Available Separately
 ASM = Assembly NI = Not Illustrated

13-HP Honda Engine Model GX390K1QNE



Choke Cable Installation: Slide the end of the inner wire of choke cable (Ref. 1) through the cross-hole in the cable stop (Ref. 4). Do not tighten the set screw in the cable stop at this time. Place cable clamp and clamp screw (Ref. 3) over choke cable, and start clamp screw into the threaded hole in choke control (Ref. 2). Pull the knob of the choke cable (located on the console below the steering wheel) out approximately 1/4 inch. Ensure that the rotating lever on the choke control is in the "Run" position as shown above. Position cable housing under cable clamp so that the end of housing does not extend beyond the small upward-bent tab (lever stop), and tighten clamp screw (Ref. 3). **DO NOT OVER TIGHTEN CLAMP SCREW.** Tighten the set screw in the cable stop (Ref. 4). Ensure that choke moves freely, and stops against the lever stop, not on the end of cable housing.

Throttle Cable Installation: Place the small diameter of metal ferule on the end of throttle cable (Ref. 5) under cable clamp as shown, and tighten clamp screw (Ref. 6). Pass throttle cable through the cross-hole in the cable stop (Ref. 10). Pull cable tight to remove slack, and tighten the cable stop set screw (Ref. 11).

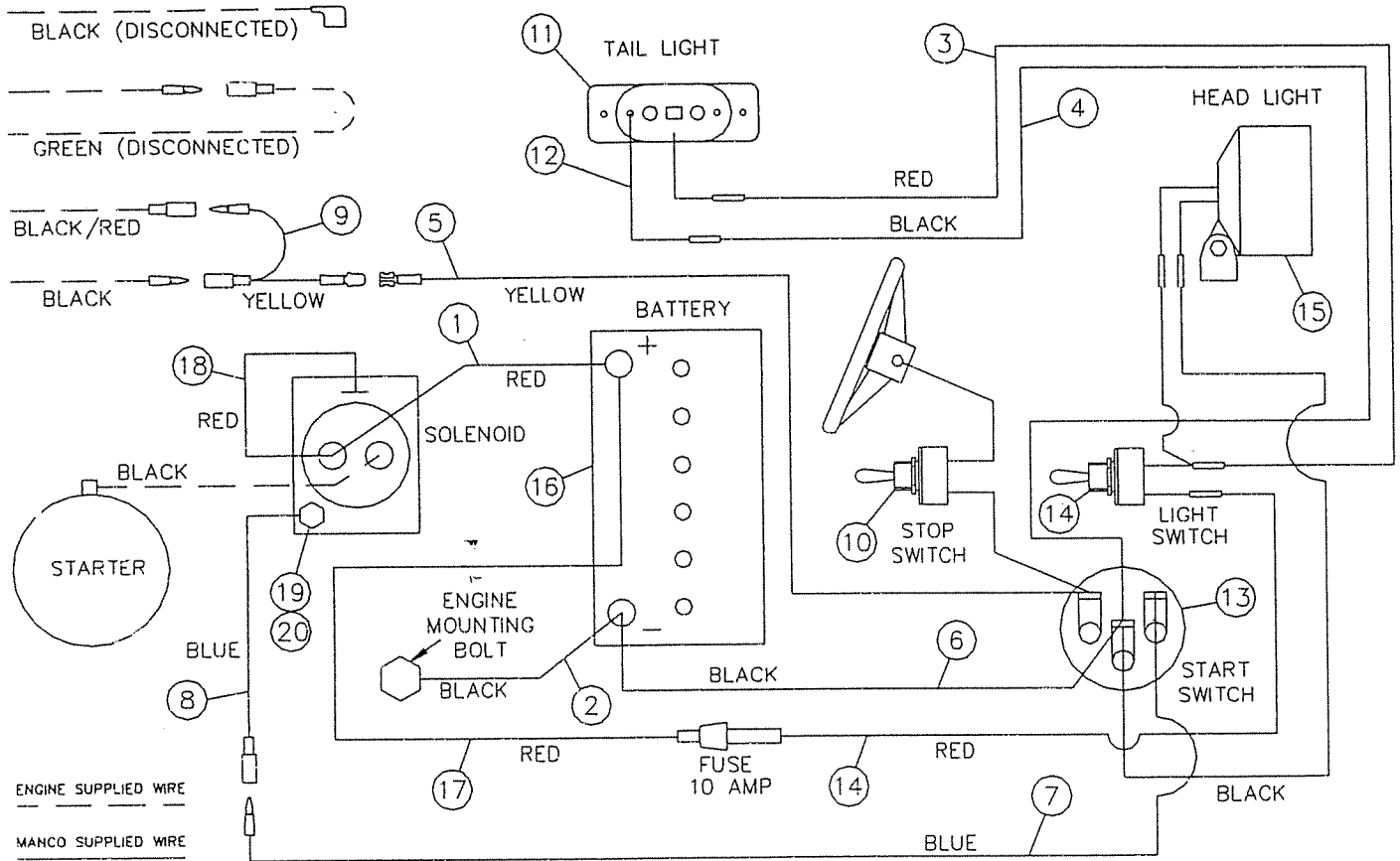
1. Ensure that the extension spring (Ref. 7) is installed as shown above.
2. Ensure that the throttle pedal is in the rearward (idle) position.
3. Ensure that the throttle pedal contacts the pedal stop in front of the pedal at the same time engine throttle linkage reaches its maximum (high speed) position so that cable is not stretched or broken when force is applied. Adjustment can be made by turning the two nuts on the pedal-end of throttle cable.
4. Ensure that the two nuts on the pedal-end of throttle cable are tightened against the bracket on the frame.

| REF NO. | PART NO. | DESCRIPTION | REF NO. | PART NO. | DESCRIPTION |
|---------|----------|----------------------------------|---------|----------|---------------------------------|
| 1 | 8118 | Choke Cable | 6 | | Clamp Screw (incl. with engine) |
| 2 | 8116 | Choke Control (incl. ref. 3 & 4) | 7 | 9346 | Extension Spring |
| 3 | | Clamp Screw | 8 | 9091 | 3/8 Plain Flat Washer |
| 4 | | Cable Stop | 9 | 1854 | #14 Plain Flat Washer |
| 5 | 8173 | Throttle Cable | 10 | 2748 | Cable Stop Nut |
| | | | 11 | 2666 | Cable Stop Set Screw |

WIRING DIAGRAM

Models 393-00 and 813-00

13-HP Honda Engine Model GX390K1QNE



| REF NO. | PART NO. | DESCRIPTION | REF NO. | PART NO. | DESCRIPTION |
|---------|----------|--------------------------------|---------|----------|---------------------------------|
| 1 | 3611 | Battery Cable Red 10 Inch | 8 | 8106 | Solenoid Wire Adapter (Blue) |
| 2 | 3610 | Battery Cable Black 9 Inch | 9 | 8107 | Stop Wire Adapter (Yellow) |
| ASM | 9376P | Wiring Harness | 10 | 6394 | Stop Switch Assembly |
| 3 | 9381 | Tail Light/Switch Wire (Red) | 11 | 6853 | Tail Light Assembly |
| 4 | 9379 | Tail Light/Switch Wire (Black) | NI | | Tail Light Bulb |
| 5 | 9383 | Engine Stop Wire (Yellow) | 12 | 6319 | Tail Light Ground Wire |
| 6 | 6386 | Battery Ground Wire (Black) | 13 | 6344 | Start Switch |
| 7 | 9385 | Solenoid/Switch Wire (Blue) | 14 | 6391 | Light Switch Assembly |
| NI | 6897 | Poly Loom 6 Inch | 15 | 6364 | Head Light Assembly |
| NI | 6897 | Poly Loom 28 Inch | NI | 2964 | Head Light Bulb |
| NI | 6505 | Poly Loom 43 Inch | 16 | 3633 | Battery |
| NI | 6793 | Poly Loom "Tee" | 17 | 9377 | Battery/Light Switch Wire (Red) |
| NI | 6813 | Poly Loom "Outlet" | 18 | 2093 | Solenoid Jumper Wire (Red) |
| | | | 19 | 8113 | M5 x .8 x 12 Nylon Screw |
| | | | 20 | 8114 | #10 Nylon Washer |

ORDERING PARTS

- 1) Seek Part(s) from your models illustrated diagram, cross over REF# to PART#
- 2) Type PART# into sites [Search Box] at GoKartsRus.com TIP! - RIGHT CLICK LINK, SELECT OPEN IN NEW TAB
- 3) Add all needed parts to Shopping Cart | Complete "Checkout" | ✓ Done!

If a part does not come up in a Site Search, please [Contact Us](#) (include part# in email)

FAST & EASY!

LOWEST PRICES!

RE NC 1 2 3 4 5 6 7 8 9 10 11 12 13 14 15 16 17 18 19 20 21 22 23 24 25 26 27 28 29 30 31 32 33 34 35 36 37 38 39 40 41 42 43 44 45 46 47 48 49 50 51 52 53 54 55 56 57 58 59 60 61 62 63 64 65 66 67 68 69 70 71 72 73 74 75 76 77 78 79 80 81 82 83 84 85 86 87 88 89 90 91 92 93 94 95 96 97 98 99 100