

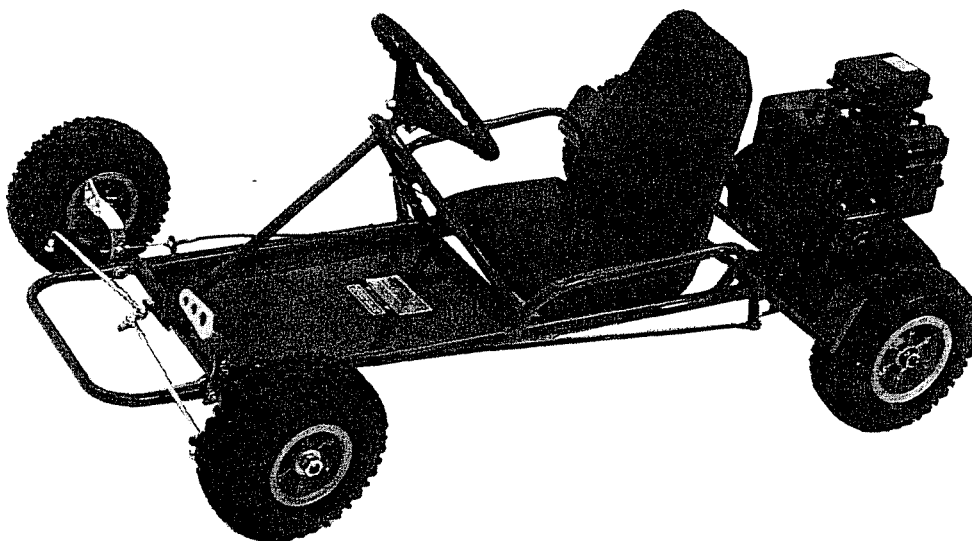
Operator's Manual SUPPLEMENT

MANCO MODEL NO.

400

WARNING:
Read Engine
Owner's Manual,
Vehicle Operator's
Manual, and
Supplement
Carefully Before
Operating
Vehicle.

Parts List

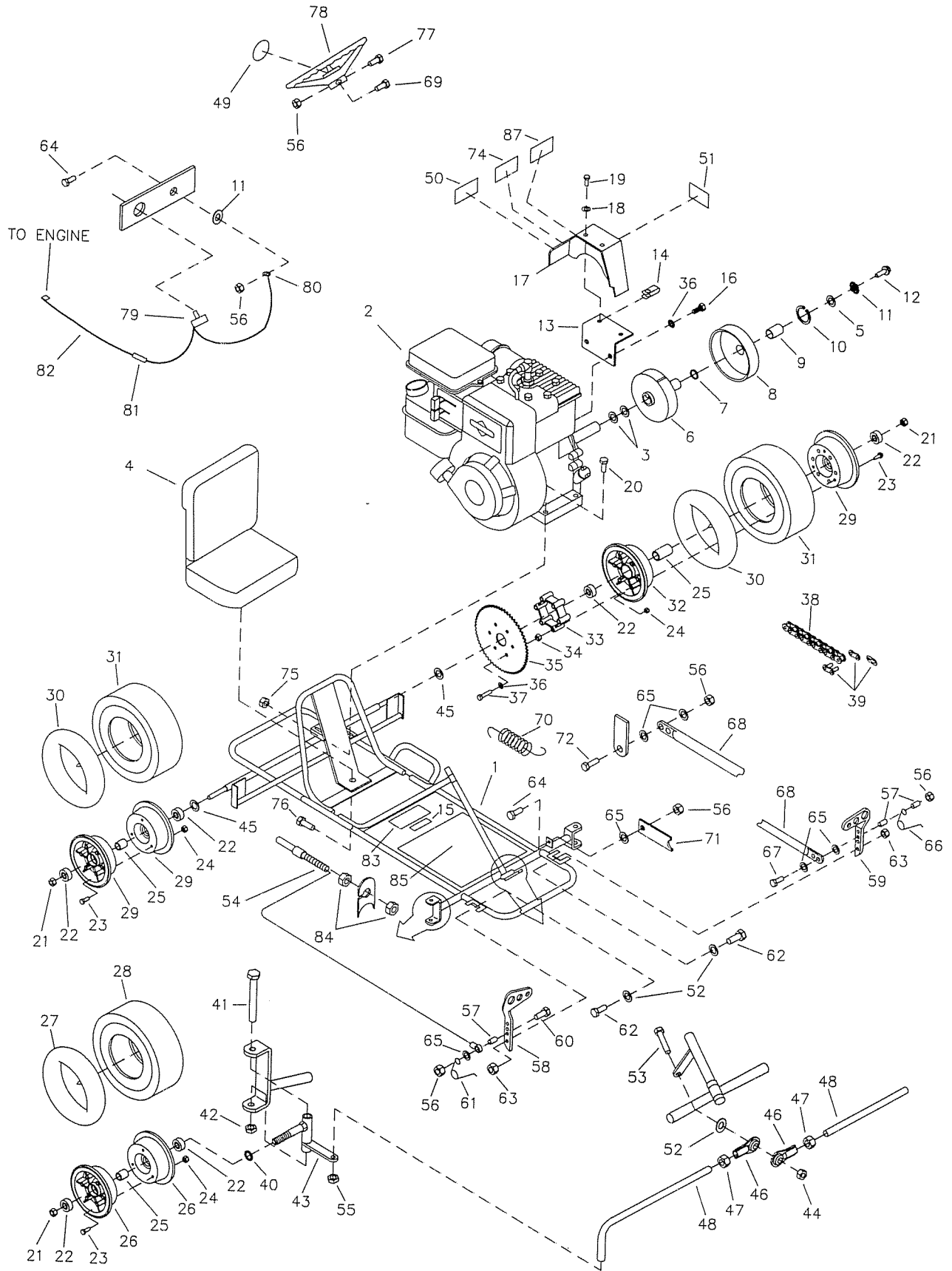


ORDERING PARTS

- FAST & EASY!**
- 1) Seek Part(s) from your models illustrated diagram, cross over REF# to PART#
 - 2) Type PART# into sites [Search Box] at GoKartsRus.com TIP! - RIGHT CLICK LINK, SELECT OPEN IN NEW TAB
 - 3) Add all needed parts to Shopping Cart | Complete "Checkout" | ✓ Done!
- LOWEST PRICES!**

If a part does not come up in a Site Search, please [Contact Us](#) (include part# in email)

BEFORE OPERATING THIS VEHICLE, THE OWNER AND/OR OPERATOR MUST UNDERSTAND THE VEHICLE WAS NOT DESIGNED OR MANUFACTURED TO MEET SPECIFICATIONS FOR USE ON PUBLIC ROADS, STREETS, HIGHWAYS, OR THOROUGHFARES AND HAVE READ AND HAVE AN UNDERSTANDING OF ALL THE INSTRUCTIONS FOR SAFE ASSEMBLY AND OPERATION AS WELL AS THE INSTRUCTIONS GOVERNING THE ENGINE AND OTHER PORTIONS OF THE VEHICLE.

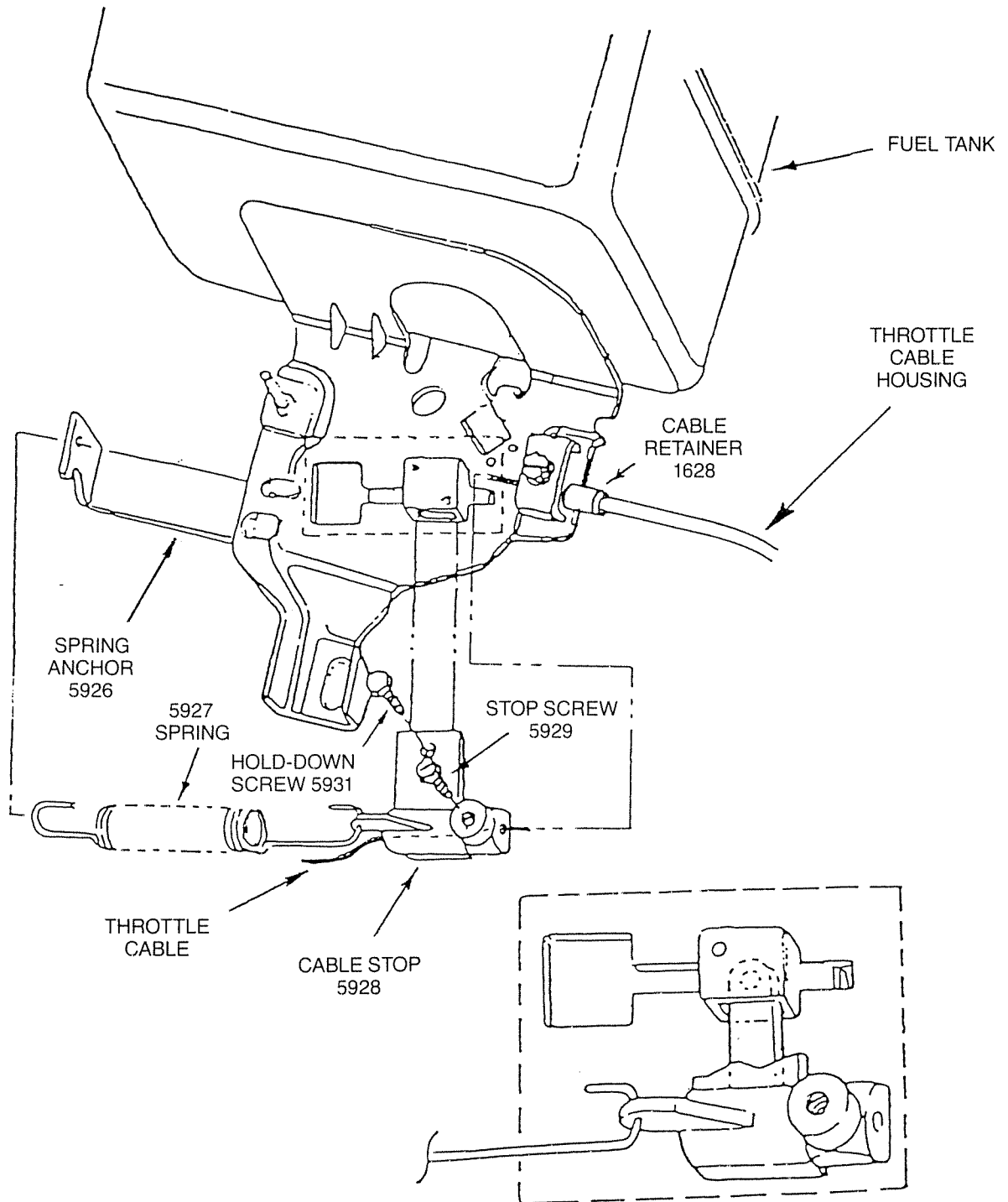


REPAIR PARTS - MODEL 400

REF NO.	PART NO.	DESCRIPTION	REF NO.	PART NO.	DESCRIPTION
	1	5980-19 Frame, Red	52	9091	Washer, 3/8 Flat
		5980-18 Frame, White	53	9145	Bolt, 3/8-16 x 1.75"
	2	8049 Engine, 3hp	54	1390	Throttle Cable w/ Housing (inc. REF 55)
	3	1168 Washer, 3/4ID x 1/32 Thick	55	9123	Nut, 3/8-24 Toplock
	4	1976 Seat	56	9057	Nut, 1/4-20 Toplock
	5	1943 Washer, 1-1/4OD x 9/32ID	57	1389	Bushing
ASM	4335	Clutch Assembly (inc. REF 6-10)	58	1437	Pedal, Throttle
	6	4496 Clutch Rotor	59	1436	Pedal, Brake
	7	3146 Washer, Fiber	60	1847	Bolt, 1/4-20 x 1.00"
	8	4491 Drum w/ Sprocket (inc. REF 9)	61	5902	Spring, Left Wound
	9	3143 Bushing	62	9110	Bolt, 5/16-18 x 1.75"
	10	3141 Snap Ring	63	1189	Nut, 5/16-18 Toplock
	11	5732 Washer, 1/4 Int/Ext Lock	64	1845	Bolt, 1/4-20 x .625"
	12	5733 Bolt, 1/4-28 x .75" Flange Whiz	65	1854	Washer, #14 Flat
	13	3363-2 Bracket, Chainguard	66	5903	Spring, Right Wound
	14	5135 Clip Nut	67	1849	Bolt, 1/4-20 x 1.50"
	15	2832 Decal, No Passengers	68	5982-2	Brake Rod
	16	9101 Bolt, 5/16-24 x .50"	69	9160	Bolt, 1/4-20 x .875"
	17	3362 Chainguard	70	5070	Spring
	18	6039 Washer, #10 Lock	71	1982	Pedal Latch
	19	6046 Screw, #10-24 x .50"	72	1846	Bolt, 1/4-20 x .75"
	20	9186 Bolt, 5/16-18 x 1.50"	73	4912	Decal, Warning
	21	1046 Nut, 5/8-11 Toplock	74	1049	Decal, Caution
ASM	2497	Front Wheel Assembly (inc. REF 22-28)	75	1263	Nut, 5/16-18 Flange
ASM	2247	Idle Wheel Asm (inc. REF 22-25,29-31)	76	1876	Bolt, 1/4-20 x .625"
ASM	4337	Drive Wheel Asm (inc. REF 22-25,29-37)	77	9080	Bolt, 1/4-20 x 2.75"
	22	1093 Bearing	78	6038	Steering Wheel
	23	5839 Bolt, 1/4-20 x .75"	ASM	4419	Stop Switch Assembly (inc. REF 79-82)
	24	1186 Nut, 1/4-20	79	1392	Stop Switch
	25	5949 Spanner	80	1393	Ring Terminal
	26	5158 Wheel Half, Front 4"	81	2650	Butt Connector
	27	1053 Tube, Front 4"	82	5642	Wire w/ Terminal
	28	2244 Tire, Front 4 10/3.50 x 4" Knobby	83	4504	Decal, Yellow Warning
	29	8004 Wheel Half, Rear 5" Untapped	84	9058	Nut, 5/16-24 Jam
	30	1753 Tube, Rear 5"	85	SM	Decal, Floor Pan
	31	2246 Tire, Rear 4 10/3.50 x 5" Knobby	NI	1019	Ty-Wrap
	32	8006 Wheel Half, Rear 5" Tapped	NI	4350	Vehicle Operator's Manual
	33	8008 Spacer	NI	2601	Engine Owner's Manual
	34	2388 Nut, 3/8-24			
	35	8007 Sprocket, #35 Chain x 60 Teeth			
	36	9030 Washer, 5/16 Lock			
	37	9127 Bolt, 5/16-18 x 2.25"			
	38	<u>6037</u> Chain, #35 x 72 Pitch (inc. REF 39)			
	39	1269 Master Link, #35 Chain			
	40	1937 Spacer, 5/8 ID x .25" Thick			
	41	1264 Bolt, 1/2-13 x 3.50"			
	42	1012 Nut, 1/2-13 Toplock			
	43	8021 Spindle, Right Side			
NI	8020	Spindle, Left Side			
	44	9085 Nut, 3/8-16 Toplock			
	45	1119 Spacer, 5/8ID x 1/8" Thick			
ASM	4354	Tie Rod Assembly (inc. REF 46-48)			
	46	1414 Tie Rod End, Right Hand Thread			
	47	9092 Nut, 3/8-24 Jam, Right Hand Thread			
	48	4353 Tie Rod			
	49	SM Decal, Steering Wheel Center			
	50	6612 Decal, Tire Pressure			
	51	6791 Decal, Oil Clutch			

ASM = Assembly
SM = Specify Model
NI = Not Illustrated

THROTTLE CABLE INSTALLATION



ASSEMBLY: Pass the throttle cable through the cable retainer and butt the throttle cable housing end against the inside shoulder of the cable retainer. (The cable retainer is to be securely fastened to the engine with the clamping screw.) Pass the end of the Throttle Cable through the hole in the cable stop. Before tightening cable stop screw:

1. Ensure spring anchor, spring, and cable are installed as illustrated above.
2. Ensure throttle pedal is in rearward (idle) position.
3. Ensure that there is no slack in the throttle cable with *no* tension applied to return spring.
4. Ensure cable housing is inside and against the cable retainer.