

OPERATOR'S MANUAL

SUPPLEMENT

Model No. 4005B-09

4006B-01

WARNING:

Read Engine Owner's Manual, Vehicle Operator's Manual, and Supplement Carefully Before Operating Vehicle.

Parts List



ORDERING PARTS

1) Seek Part(s) from your models illustrated diagram, cross over REF# to PART#

2) Type PART# into sites [Search Box] at GoKartsRus.com TIP! - RIGHT CLICK LINK, SELECT OPEN IN NEW TAB

3) Add all needed parts to Shopping Cart | Complete "Checkout" | Done!

If a part does not come up in a Site Search, please [Contact Us](#) (include part# in email)

FAST & EASY!

LOWEST PRICE!

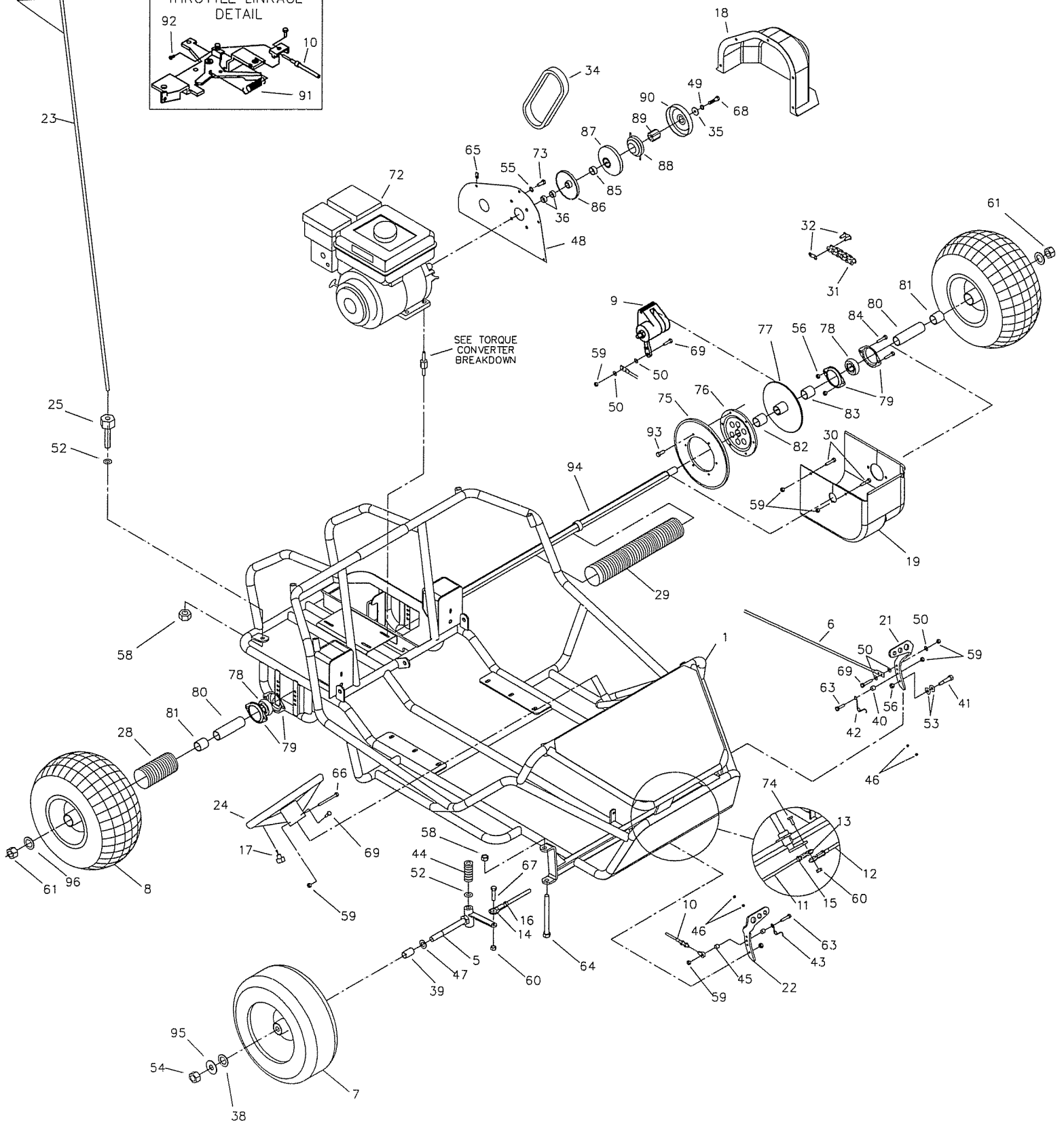
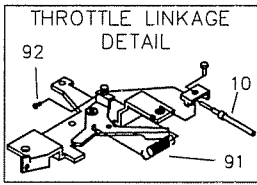
THIS VEHICLE IS FOR OFF-ROAD USE ONLY

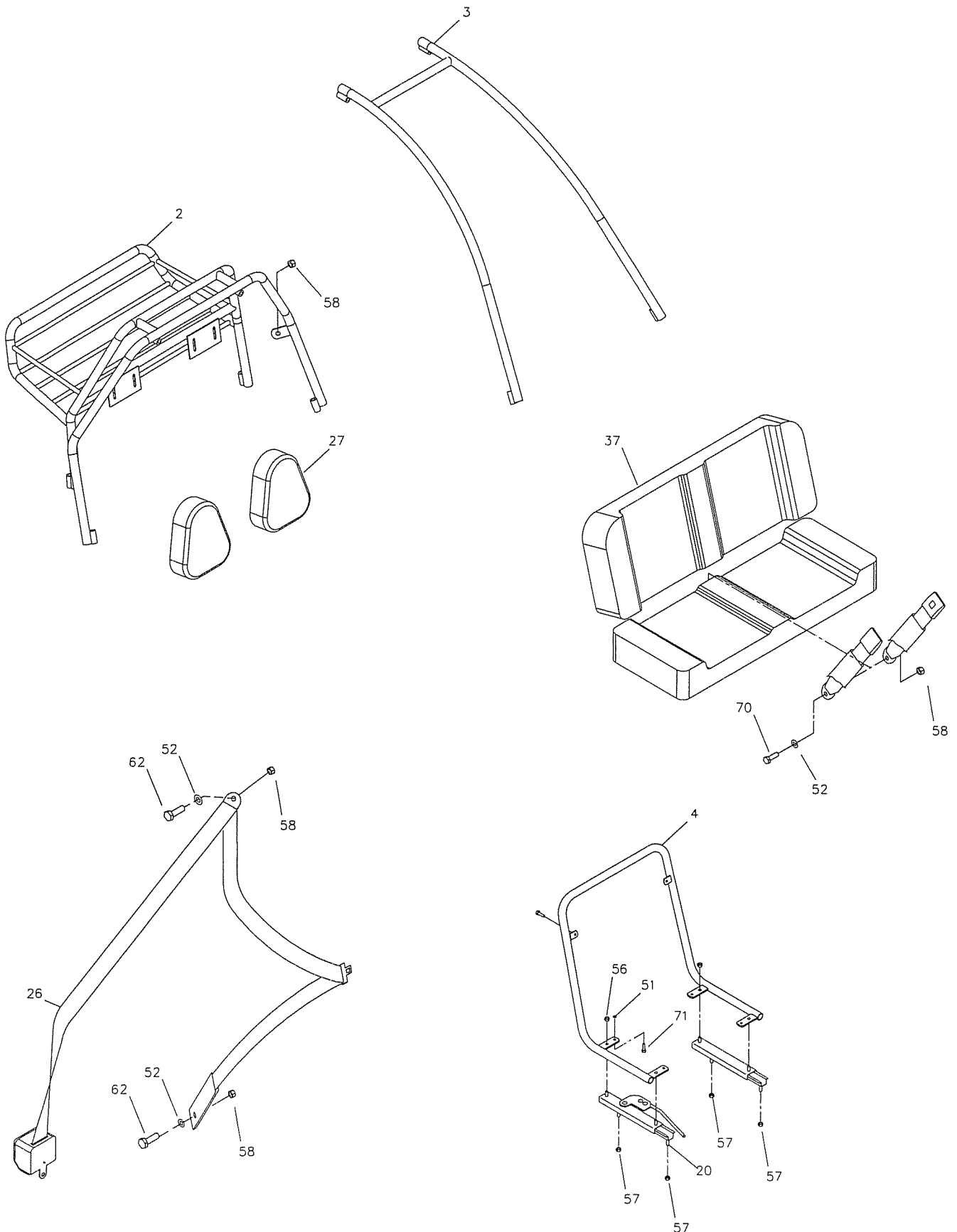
BEFORE OPERATING THIS VEHICLE, THE OWNER AND/OR OPERATOR MUST UNDERSTAND THE VEHICLE WAS NOT DESIGNED OR MANUFACTURED TO MEET SPECIFICATIONS FOR USE ON STREETS, HIGHWAYS, OR THOROUGHFARES AND HAVE READ AND HAVE AN UNDERSTANDING OF ALL THE INSTRUCTIONS FOR SAFE ASSEMBLY AND OPERATION AS WELL AS THE INSTRUCTIONS GOVERNING THE ENGINE AND OTHER PORTIONS OF THE VEHICLE.

PARTS LIST - MODEL 4005 / 4006

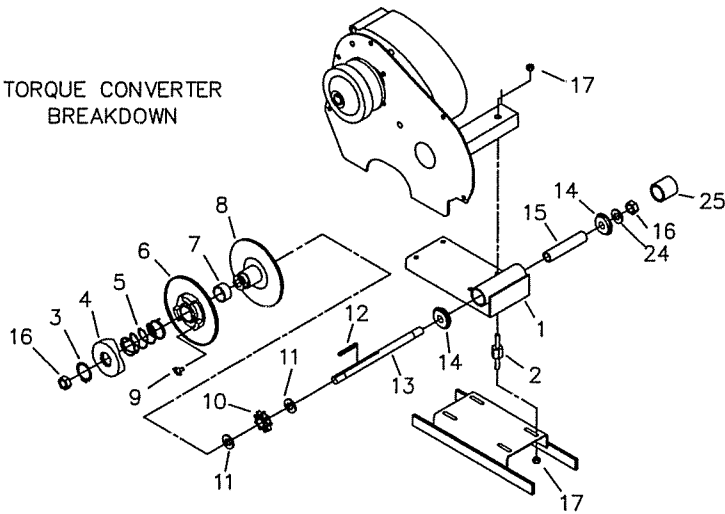
REF	PART #	DESCRIPTION
1	13786-39	FRAME – TRAFFIC YELLOW
	13786-29	FRAME – ULTRAMARINE BLUE
2	13719-39	CENTER BAR AND RACK WDMT - YELLOW
	13719-29	CENTER BAR AND RACK WDMT - BLUE
3	13752-2	OVERHEAD BARS - BLACK
	13752-39	OVERHEAD BARS - TRAFFIC YELLOW
4	12550-2	SEAT FRAME - BLACK
5	13788-2Z	RIGHT SPINDLE WITH ZERK - BLACK
NI	13789-2Z	LEFT SPINDLE WITH ZERK - BLACK
6	13858-2	BRAKE ROD
7	12490	FRONT WHEEL ASSEMBLY
8	10381	REAR WHEEL ASSEMBLY
9	9597	BRAKE CALIPER ASSEMBLY
10	8251	THROTTLE CABLE
ASM	4359	TIE ROD ASSY (INCL 11, 13, 14, 15, 16)
ASM	4618	TIE ROD ASSY (INCL 12, 13, 14, 15, 16)
11	5003	TIE ROD – 17.5 INCH
12	3224	TIE ROD – 8.75 INCH
13	1415	TIE ROD END – LEFT
14	1414	TIE ROD END – RIGHT
15	9024	NUT 3/8-24 JAM – LEFT
16	9092	NUT 3/8-24 JAM – RIGHT
17	9799	STOP SWITCH WIRE ASSY
NI	13854	WIRE HARNESS
18	11776	TOP COVER
19	13691	BOTTOM COVER
NI	13777	LEFT FENDER
NI	13778	RIGHT FENDER
20	6734	SEAT SLIDE
21	6293-16	BRAKE PEDAL
22	6309-16	THROTTLE PEDAL
23	5447	SAFETY FLAG
24	6038	STEERING WHEEL
25	11631	FLAG MOUNTING BOLT
26	8778	HARNESS – LAP/SHOULDER
27	6320	HEADREST
28	G0631	LOOM - 6.31 x 1.625 ID
29	G01450	LOOM - 14.5 x 1.625 ID
30	1846	BOLT, 1/4-20 x 3/4
31	6511	CHAIN - 420 x 66 (INCL 2037)
32	2037	MASTER LINK - 420 CHAIN
33	2386	BOLT
34	5959	BELT
35	200841	WASHER
36	1938	SPACER
37	13682	SEAT BACK/BOTTOM
38	13664	WASHER, FLAT
39	13790	SPANNER - FRONT SPINDLE
40	1389	BUSHING
41	1447	BOLT
42	9502	BRAKE PEDAL SPRING
43	9503	THROTTLE PEDAL SPRING
44	9709	COMPRESSION SPRING
45	9674-16	SPACER
46	9929	VINYL CAP - PEDAL STOPS

REF	PART #	DESCRIPTION
47	1119	SPACER
48	13598-2	COVER PLATE
49	1124	WASHER
50	1854	WASHER
51	5732	WASHER, 1/4
52	9022	WASHER, 1/2
53	9091	WASHER, 3/8
54	1046	NUT, 5/8-11 TL
55	9060	WASHER
56	1189	NUT, 5/16-18 TL
57	1263	NUT, 5/16-18 WF
58	13503	NUT, 1/2-13 CL
59	9057	NUT, 1/4-20 TL
60	9085	NUT, 3/8-16 TL
61	9162	NUT, 3/4-10 TL
62	13504	BOLT, 1/2-13 X 1
NI	13783	FENDER MOUNTING BOLT
63	1848	BOLT, 1/4-20 x 1.25
64	5682	BOLT, 1/2-13 x 5.5
65	8227	NUT, CLIP
66	9080	BOLT, 1/4-20 x 2.75
67	9146	BOLT, 3/8-16 x 1.5
68	8204	BOLT, 5/16-24 x 2.25
69	9160	BOLT, 1/4-20 x 0.88
70	9188	BOLT, 1/2-13 x 1.50
71	9189	BOLT, 1/4-20 x 0.88
72	12247	ENGINE, ROBIN 5HP
73	9101	BOLT, 5/16-24 x 0.50
74	9145	BOLT, 3/8-16 x 1.75
75	9338	SPROCKET
76	6280H	SPROCKET HUB
77	9511H	BRAKE DISC
78	3941H	BEARING
79	1760	BEARING FLANGE
80	4662-16	SPACER - 4.250"
81	2265-16	SPACER - .750"
82	13863	SPACER - 1.5"
83	13864	SPACER - 2.4"
84	2264	BOLT, 5/16-18 x 0.75
ASM	13100	DRIVEN PULLEY (85-90)
85	200349	BUSHING
86	**	STATIONARY SHEAVE
87	**	MOVEABLE SHEAVE
88	**	SHOE ASSEMBLY
89	**	HUB
90	**	DRUM
91	12348	RETURN SPRING
92	12347	SWIVEL SCREW
93	9006	BOLT, 1/4-20 x 0.5 WHIZ FLANGE
94	13782	AXLE, HEX
95	13354	WASHER - WHEEL RETAINING, FRONT
96	1194	WASHER - WHEEL RETAINING, REAR
97	1876	BOLT, 1/4-20 x .625 WHIZ FLANGE

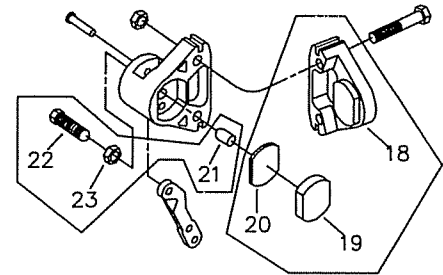




TORQUE CONVERTER
BREAKDOWN



CALIPER BREAKDOWN



REF	PART NO	DESCRIPTION
1	13594-2	WDMT, CHASSIS - GBLACK
2	1356	ASM, STUD
ASM	13373	DRIVEN PULLEY (30S 217610 INCLUDES 3-9)
3	11342	RETAINING RING
4	----	CAM
5	6805	SPRING
6	----	MOVEABLE SHEAVE
7	----	BUSHING
8	----	STATIONARY SHEAVE
9	6804	BUTTON, NYLON
10	8720	SPROCKET, 9T INTEGRAL KEY
11	1119	SPACER, 5/8 X 1/8
12	3403	KEY, 3/16 X 2
13	2777	JACKSHAFT, 5/8 X 10
14	5090	BEARING, 5/8 ID
15	13592	SPANNER, 5/8 ID X 5 1/2
16	1136	NUT, 5/8-18 CENTERLOCK HEX JAM
17	1263	NUT, 5/16-18 FLANGED WHIZ
ASM	9597	ASM, BRAKE CALIPER
KIT	13873	KIT, BRAKE PAD
18	KIT 13873	ANVIL WITH LINING
19	KIT 13873	BRAKE LINING
20	KIT 13873	BACKING PLATE
KIT	13874	KIT, BRAKE BOLT
21	KIT 13874	ACTUATOR PIN
22	KIT 13874	ADJUSTER PIN
23	KIT 13874	NUT, JAM
24	1469	WASHER 5/8 ID X 1 1/16 OD X 1/16
25	11808	VINYL CAP