

Operator's Manual SUPPLEMENT

MANCO MODEL NO.
403-11

WARNING:
Read Engine
Owner's Manual,
Vehicle Operator's
Manual, and
Supplement
Carefully Before
Operating
Vehicle.

Parts List



ORDERING PARTS

FAST & EASY!

LOWEST PRICES!

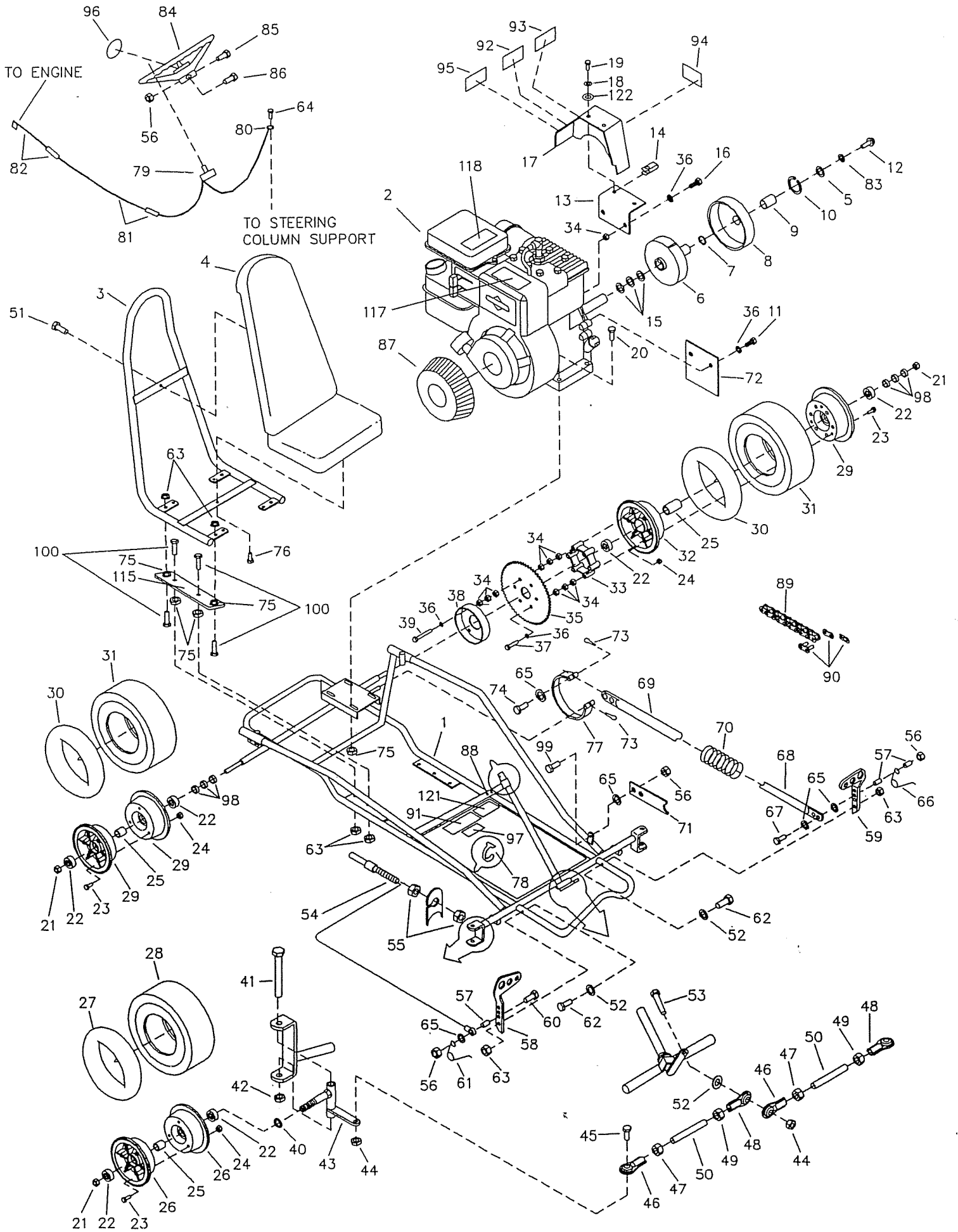
- 1) Seek Part(s) from your models illustrated diagram, cross over REF# to PART#
- 2) Type PART# into sites [Search Box] at GoKartsRus.com TIP! - RIGHT CLICK LINK, SELECT OPEN IN NEW TAB
- 3) Add all needed parts to Shopping Cart | Complete "Checkout" | ✓ Done!

If a part does not come up in a Site Search, please [Contact Us](#) (include part# in email)

BEFORE OPERATING THIS VEHICLE, THE OWNER AND/OR OPERATOR MUST UNDERSTAND THE VEHICLE WAS NOT DESIGNED OR MANUFACTURED TO MEET SPECIFICATIONS FOR USE ON PUBLIC ROADS, STREETS, HIGHWAYS, OR THOROUGHFARES AND HAVE READ AND HAVE AN UNDERSTANDING OF ALL THE INSTRUCTIONS FOR SAFE ASSEMBLY AND OPERATION AS WELL AS THE INSTRUCTIONS GOVERNING THE ENGINE AND OTHER PORTIONS OF THE VEHICLE.

REPAIR PARTS - MODEL 403-11

REF NO.	PART NO.	DESCRIPTION	REF NO.	PART NO.	DESCRIPTION
1	8125-19	Frame	54	1390	Throttle Cable w/ Housing (inc. REF 55)
2	8049	Engine, 3hp	55	9058	Nut, 5/16-24 Jam
3	9973-2	Seat Frame	56	9057	Nut, 1/4-20 Toplock
4	4324	Seat Pad	57	1389	Bushing
5	1398	Washer, 21/64 ID x 1-1/4 x 1/8	58	1437	Pedal, Throttle
ASM	4335	Clutch Assembly (inc. REF 6-10)	59	1436	Pedal, Brake
6	4496	Clutch Rotor	60	1847	Bolt, 1/4-20 x 1"
7	3146	Washer, Fiber	61	9502	Spring, Left Wound
8	4491	Drum w/ Sprocket (inc. REF 9)	62	9110	Bolt, 3/8 x 7/8 Shldr., 5/16-18 x 5/8 Thd.
9	3143	Bushing	63	1189	Nut, 5/16-18 Toplock
10	3141	Snap Ring	64	9796	Screw, 12-24 x 1/2" Self-Tapping
11	9101	Bolt, 5/16-24 x 1/2"	65	1854	Washer, #14 Flat
12	5733	Bolt, 1/4-28 x 3/4" Whiz Flange	66	9503	Spring, Right Wound
13	3363-2	Bracket, Chaingaurd	67	1849	Bolt, 1/4-20 x 1-1/2"
14	5135	Clip Nut	68	9945-2	Brake Rod, Front
15	1194	Washer, 3/4 ID, 1/8" Thick	69	9946-2	Brake Rod, Rear
16	8139	Bolt, 5/16-24 x 1"	70	9709	Spring
17	3362	Chaingaurd	71	1982	Pedal Latch
18	6039	Washer, #10 Lock	72	6960-2	Brake Pin Bracket
19	6046	Screw, #10-24 x 1/2"	73	9116	Cotter Pin
20	9186	Bolt, 5/16-18 x 1-1/2"	74	9118	Clevis Pin
21	1046	Nut, 5/8-11 Toplock	75	1263	Nut, 5/16-18 Flange
ASM	2497	Front Wheel Assembly (inc. REF 22-28)	76	1876	Bolt, 1/4-20 x 5/8" Whiz Flange
ASM	2247	Idle Wheel Asm (inc. REF 22-25,29-31)	77	1036	Brake Band
ASM	8135	Drive Wheel Asm (inc. REF 22-25,29-39)	78	1019	Ty-Wrap
22	1093	Bearing	ASM	9799	Stop Switch Assembly (inc. REF 79-81)
23	5839	Bolt, 1/4-20 x 3/4"	79	1392	Stop Switch
24	1186	Nut, 1/4-20	80	1393	Ring Terminal
25	5949	Spanner	81	1394	Wire, 50" w/Splice Connector
26	5158	Wheel Half, Front 4"	82	1406	Wire w/ Blade Terminal
27	1053	Tube, Front 4"	83	1115	Washer, 1/4 Split Lock
28	2244	Tire, Front 4.10/3.50 x 4" Knobby	84	6038	Steering Wheel
29	8004	Wheel Half, Rear 5" Untapped	85	9080	Bolt, 1/4-20 x 2-3/4"
30	1753	Tube, Rear 5"	86	9160	Bolt, 1/4-20 x 7/8"
31	2246	Tire, Rear 4.10/3.50 x 5" Knobby	87	6237	Finger Guard
32	8006	Wheel Half, Rear 5" Tapped	88	1463	Bushing, Insulating
33	8008	Spacer	89	6073	Chain, #35 x 72 Pitch (inc. REF 90)
34	2388	Nut, 3/8-24	90	1269	Master Link, #35 Chain
35	8007	Sprocket, #35 Chain x 60 Teeth	91	4504	Decal, Warning
36	9030	Washer, 5/16 Lock	92	1049	Decal, Caution
37	9051	Bolt, 5/16-18 x 3"	93	4912	Decal, Warning
38	1246	Brake Drum	94	6791	Decal, Oil Clutch
39	9988	Bolt, 5/16-18 x 4"	95	6621	Decal, Tire Pressure
40	1937	Spacer, 5/8 ID x 1/4" Thick	96	3296	Decal, Steering Wheel Center
41	1264	Bolt, 1/2-13 x 3-1/2"	97	2832	Decal, Warning No Passengers
42	1012	Nut, 1/2-13 Toplock	98	1119	Spacer, 5/8 ID x 1/8"
43	8021	Spindle, Right Side	99	1846	Bolt, 1/4-20 x 3/4"
NI	8020	Spindle, Left Side	100	9176	Bolt, 5/16-18 x 1"
44	9085	Nut, 3/8-16 Toplock	101	9554-19	Rear Bar, Sgl Seat
45	9146	Bolt, 3/8-16 x 1-1/2"	102	9540-2	Front Bar, Sgl Seat
ASM	4355	Tie Rod Assembly (inc. REF 46-50)	103	9549-2	Rear Upright Bar
46	1414	Tie Rod End, Right Hand Thread	104	9547-2	Center Bar, Sgl Seat
47	9092	Nut, 3/8-24 Jam, Right Hand Thread	105	6320	Headrest Pad, Sgl Seat
48	1415	Tie Rod End, Left Hand Thread	106	6452	Bolt, 3/8-16 x 5"
49	9024	Nut, 3/8-24 Jam, Left Hand Thread	107	2386	Bolt, 3/8-16 x 3-1/2"
50	4352	Tie Rod	108	2264	Bolt, 5/16-18 x 3/4"
51	9006	Bolt, 1/4-20 x 1/2" Whiz Flange	109	9776	Clamp, Foam Stop, 3/4"
52	9091	Washer, 3/8 Flat	110	9759B	Foam, Side Bar, 30"
53	9145	Bolt, 3/8-16 x 1-3/4"	111	9758Y	Foam, Front Bar, 43"



REPAIR PARTS - MODEL 403-11

REF NO.	PART NO.	DESCRIPTION
112	9763Y	Foam, 16" Sgl Seat
113	9764Y	Foam, 15" Sgl Seat
114	9765Y	Foam, 14" Sgl Seat
115	6983-2	Seat Adjuster Plate
116	9679	Decal, No Riders Allowed
117	9678	Decal, Warning: Engine Exhaust
118	9677	Decal, Hot Surfaces
119	8138	Decal, Warning: Entanglement
120	6540	Decal, Warning: Wear Helmet
121	8154	Decal, Age Restriction
122	9104	Washer, No. 10 Flat
NI	4350	Vehicle Operator's Manual
NI	2600	Engine Owner's Manual
NI	9212R4	Assembly Instructions
NI	5964	Decal, Oil Warning
NI	9798Y	Foam Kit, Universal

ASM = Assembly
 NI = Not Illustrated

