

Operator's Manual SUPPLEMENT

MANCO MODEL NO.

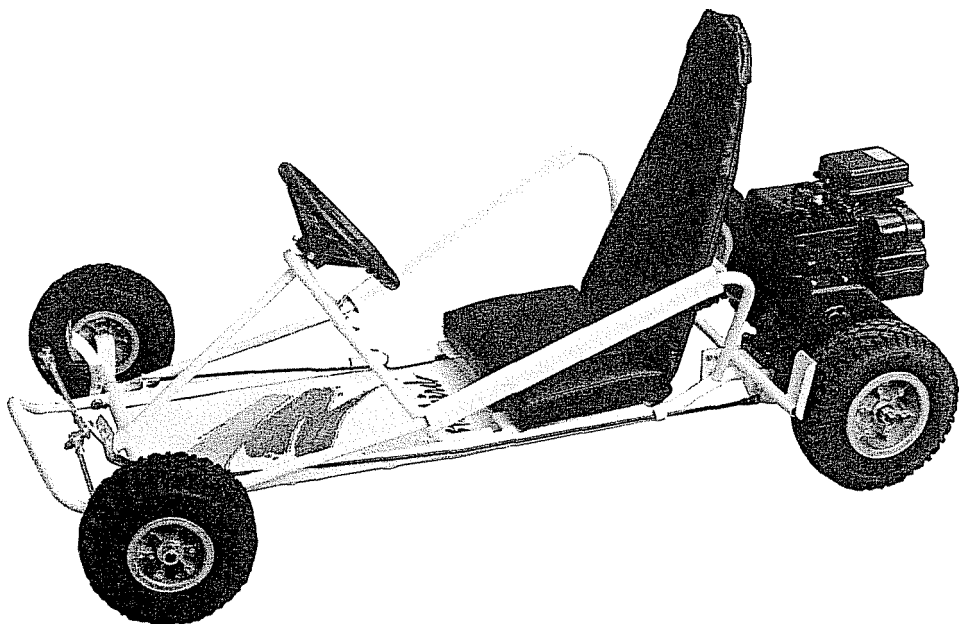
405-062

405-09

405-091 w TECUMSEH SHP

WARNING:
Read Engine
Owner's Manual,
Vehicle Operator's
Manual, and
Supplement
Carefully Before
Operating
Vehicle.

Parts List



MANCO

ORDERING PARTS

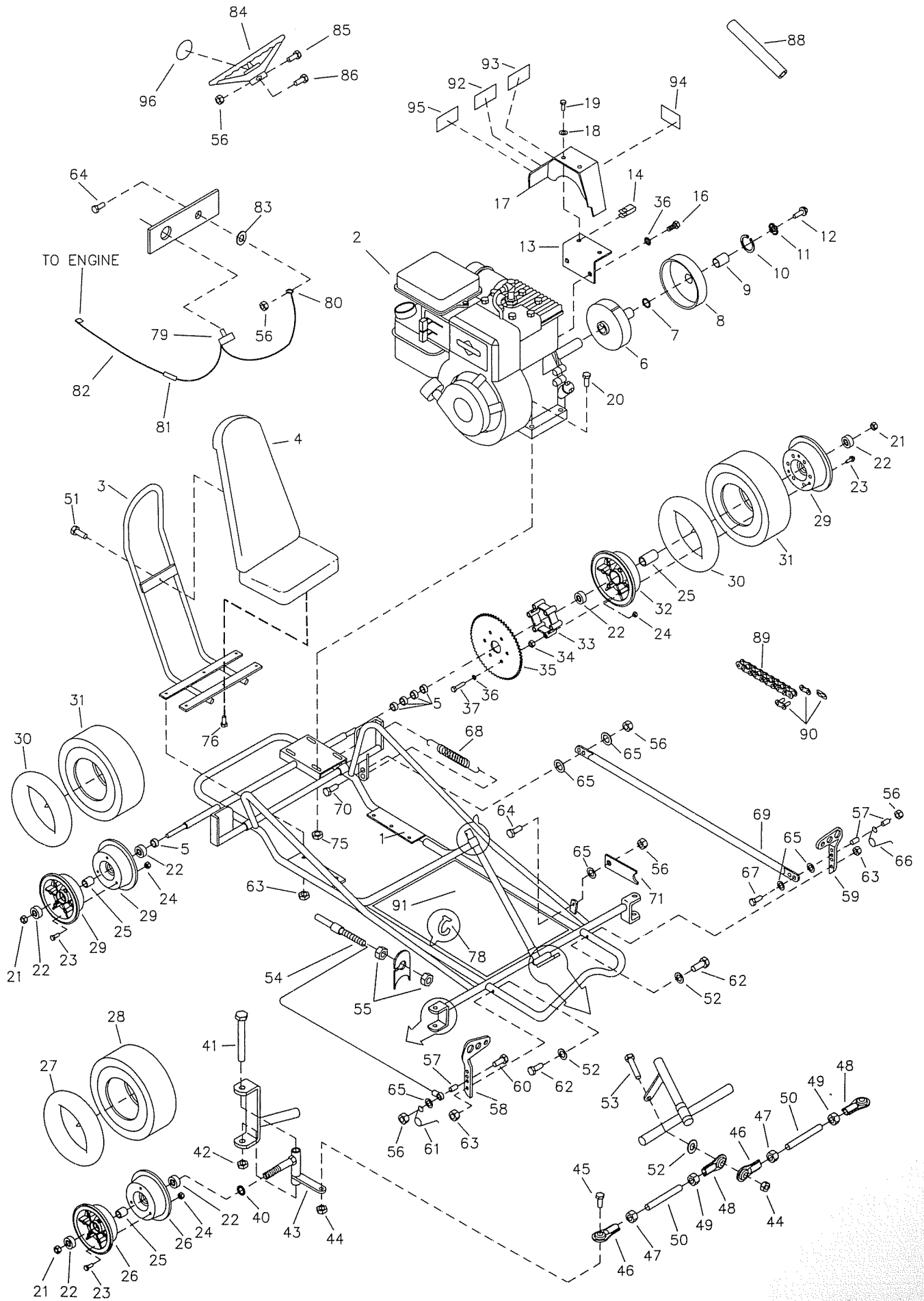
- 1) Seek Part(s) from your models illustrated diagram, cross over REF# to PART#
- 2) Type PART# into sites [Search Box] at GoKartsRus.com TIP! - RIGHT CLICK LINK, SELECT OPEN IN NEW TAB
- 3) Add all needed parts to Shopping Cart | Complete "Checkout" | ✓ Done!

If a part does not come up in a Site Search, please [Contact Us](#) (include part# in email)

FAST & EASY!

LOWEST PRICES!

BEFORE OPERATING THIS VEHICLE, THE OWNER AND/OR OPERATOR MUST UNDERSTAND THE VEHICLE WAS NOT DESIGNED OR MANUFACTURED TO MEET SPECIFICATIONS FOR USE ON PUBLIC ROADS, STREETS, HIGHWAYS, OR THOROUGHFARES AND HAVE READ AND HAVE AN UNDERSTANDING OF ALL THE INSTRUCTIONS FOR SAFE ASSEMBLY AND OPERATION AS WELL AS THE INSTRUCTIONS GOVERNING THE ENGINE AND OTHER PORTIONS OF THE VEHICLE.

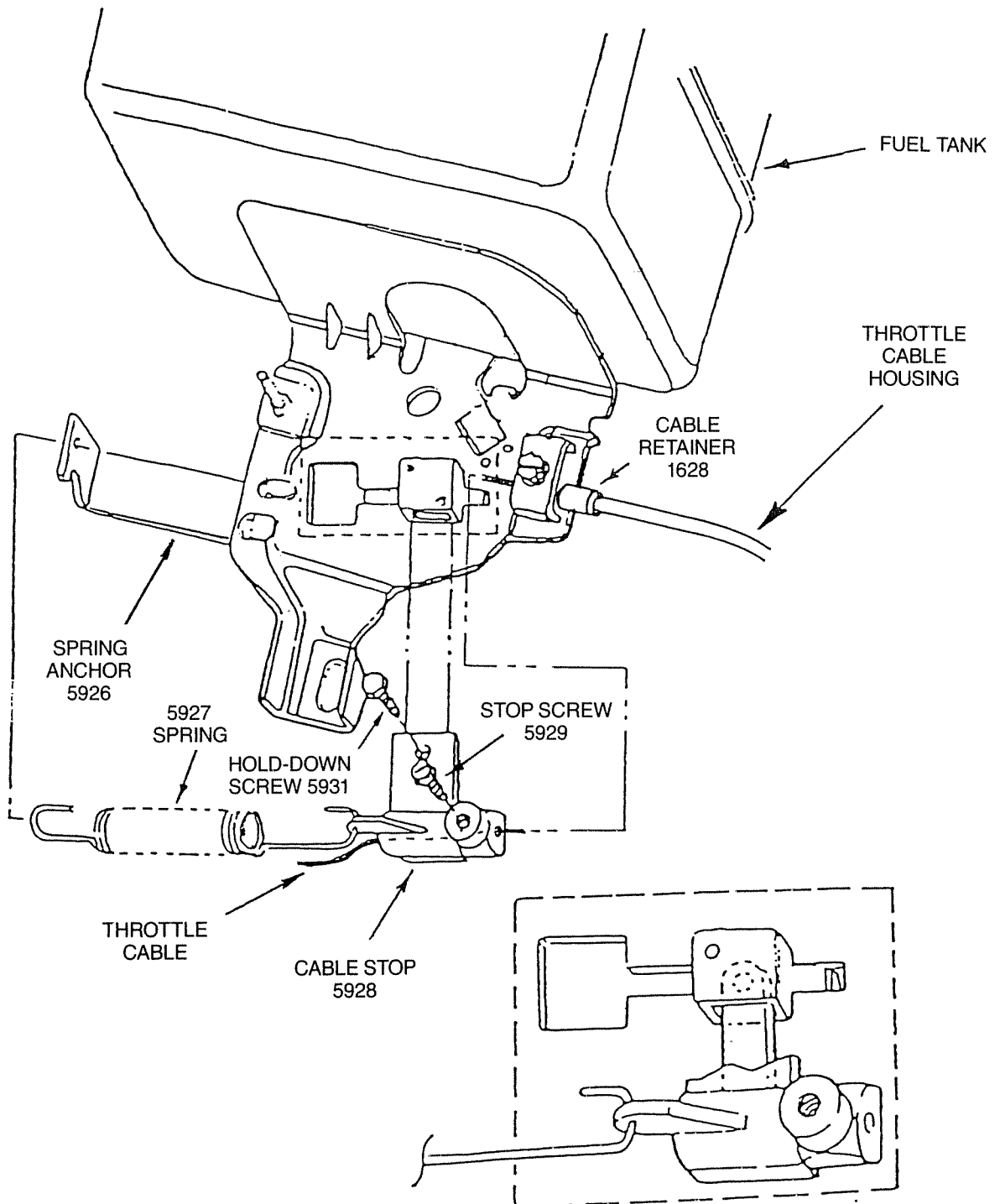


REPAIR PARTS - MODEL 405-062/09

REF NO.	PART NO.	DESCRIPTION	REF NO.	PART NO.	DESCRIPTION
1	6219-18	Frame	53	9145	Bolt, 3/8-16 x 1.75"
2	6010	Engine, 5hp	54	1390	Throttle Cable w/ Housing (inc. REF 55)
3	3347-2	Seat Frame	55	9058	Nut, 5/16-24 Jam
4	4324	Seat Pad	56	9057	Nut, 1/4-20 Toplock
5	1119	Spacer, 5/8 ID x 1/8"	57	1389	Bushing
ASM	4335	Clutch Assembly (inc. REF 6-10)	58	1437	Pedal, Throttle
6	4496	Clutch Rotor	59	1436	Pedal, Brake
7	3146	Washer, Fiber	60	1847	Bolt, 1/4-20 x 1.00"
8	4491	Drum w/ Sprocket (inc. REF 9)	61	9502	Spring, Left Wound
9	3143	Bushing	62	9110	Bolt, 5/16-18 x 1.75"
10	3141	Snap Ring	63	1189	Nut, 5/16-18 Toplock
11	9001	Washer, 3/8 Int/Ext Lock	64	1845	Bolt, 1/4-20 x .625"
12	1491	Bolt, 5/16-24 x .75"	65	1854	Washer, #14 Flat
13	3363-2	Bracket, Chainguard	66	9503	Spring, Right Wound
14	5135	Clip Nut	67	1849	Bolt, 1/4-20 x 1.50"
15	-----	-----	68	4365	Spring
16	9101	Bolt, 5/16-24 x .50"	69	5097	Brake Rod
17	3362	Chainguard	70	1846	Bolt, 1/4-20 x .75"
18	6039	Washer, #10 Lock	71	1982	Pedal Latch
19	6046	Screw, #10-24 x .50"	72	-----	-----
20	9186	Bolt, 5/16-18 x 1.50"	73	-----	-----
21	1046	Nut, 5/8-11 Toplock	74	-----	-----
ASM	2497	Front Wheel Assembly (inc. REF 22-28)	75	1263	Nut, 5/16-18 Flange
ASM	2247	Idle Wheel Asm (inc. REF 22-25,29-31)	76	1876	Bolt, 1/4-20 x 5/8" Whiz Flange
ASM	4337	Drive Wheel Asm (inc. REF 22-25,29-37)	77	-----	-----
22	1093	Bearing	78	1019	Ty-Wrap
23	5839	Bolt, 1/4-20 x .75"	ASM	4419	Stop Switch Assembly (inc. REF 79-82)
24	1186	Nut, 1/4-20	79	1392	Stop Switch
25	5949	Spanner	80	1393	Ring Terminal
26	5158	Wheel Half, Front 4"	81	2650	Butt Connector
27	1053	Tube, Front 4"	82	5642	Wire w/ Terminal
28	2244	Tire, Front 4.10/3.50 x 4" Knobby	83	5732	Washer, 1/4 Int/Ext Lock
29	8004	Wheel Half, Rear 5" Untapped	84	6038	Steering Wheel
30	1753	Tube, Rear 5"	85	9080	Bolt, 1/4-20 x 2.75"
31	2246	Tire, Rear 4.10/3.50 x 5" Knobby	86	9160	Bolt, 1/4-20 x .875"
32	8006	Wheel Half, Rear 5" Tapped	87	-----	-----
33	8008	Spacer	88	5934	Arm Pads w/ Covers (QTY 2) (Starbird)
34	2388	Nut, 3/8-24		9328	Arm Pads w/ Covers (QTY 2) (White Fox)
35	8007	Sprocket, #35 Chain x 60 Teeth	89	8050	Chain, #35 x 68 Pitch (inc. REF 90)
36	9030	Washer, 5/16 Lock	90	1269	Master Link, #35 Chain
37	9127	Bolt, 5/16-18 x 2.25"	91	6221	Decal, Floor Pan (Starbird)
38	-----	-----		9329	Decal, Floor Pan (White Fox)
39	-----	-----	92	1049	Decal, Caution
40	1937	Spacer, 5/8 ID x .25" Thick	93	4912	Decal, Warning
41	1264	Bolt, 1/2-13 x 3.50"	94	6791	Decal, Oil Clutch
42	1012	Nut, 1/2-13 Toplock	95	6621	Decal, Tire Pressure
43	8021	Spindle, Right Side	96	3296	Decal, Steering Wheel Cntr(Starbird)
NI	8020	Spindle, Left Side		5946	Decal, Steering Wheel Cntr(White Fox)
44	9085	Nut, 3/8-16 Toplock	NI	4350	Vehicle Operator's Manual
45	9146	Bolt, 3/8-16 x 1.50"	NI	2600	Engine Owner's Manual
ASM	4355	Tie Rod Assembly (inc. REF 46-50)			
46	1414	Tie Rod End, Right Hand Thread			
47	9092	Nut, 3/8-24 Jam, Right Hand Thread			
48	1415	Tie Rod End, Left Hand Thread			
49	9024	Nut, 3/8-24 Jam, Left Hand Thread			
50	4352	Tie Rod			
51	9006	Bolt, 1/4-20 x .5" Whiz Flange			
52	9091	Washer, 3/8 Flat			

ASM = Assembly
NI = Not Illustrated

THROTTLE CABLE INSTALLATION



ASSEMBLY: Pass the throttle cable through the cable retainer and butt the throttle cable housing end against the inside shoulder of the cable retainer. (The cable retainer is to be securely fastened to the engine with the clamping screw.) Pass the end of the Throttle Cable through the hole in the cable stop. Before tightening cable stop screw:

1. Ensure spring anchor, spring, and cable are installed as illustrated above.
2. Ensure throttle pedal is in rearward (idle) position.
3. Ensure that there is no slack in the throttle cable with *no* tension applied to return spring.
4. Ensure cable housing is inside and against the cable retainer.