

Operator's Manual SUPPLEMENT

MANCO MODEL NO.

405-202

405-262

405-291

WARNING:
Read Engine
Owner's Manual,
Vehicle Operator's
Manual, and
Supplement
Carefully Before
Operating
Vehicle.

Parts List



(UNIT PICTURED IS MODEL 405-20)

ORDERING PARTS

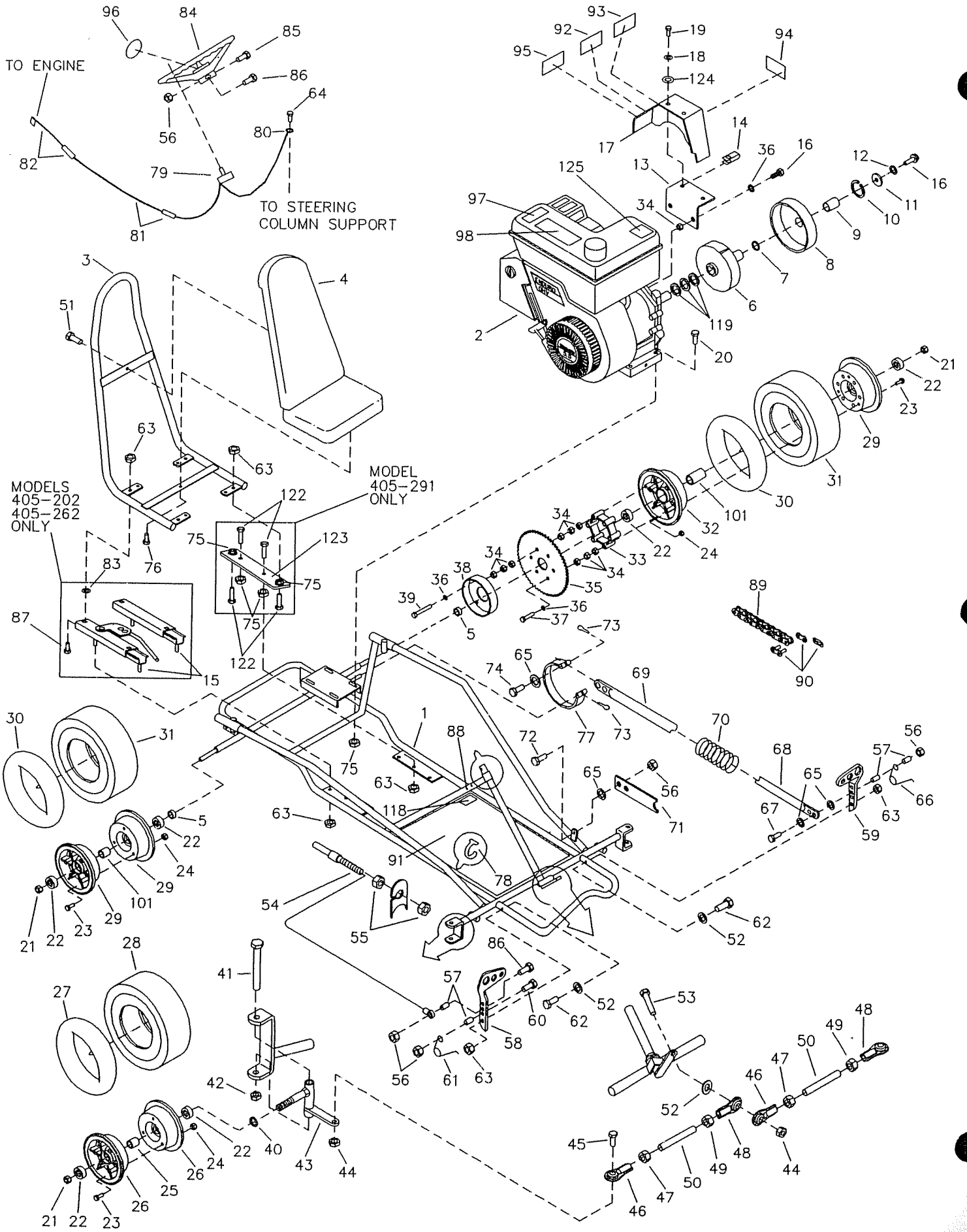
FAST & EASY!

- 1) Seek Part(s) from your models illustrated diagram, cross over REF# to PART#
- 2) Type PART# into sites [Search Box] at GoKartsRus.com TIP! - RIGHT CLICK LINK, SELECT OPEN IN NEW TAB
- 3) Add all needed parts to Shopping Cart | Complete "Checkout" | ✓ Done!

If a part does not come up in a Site Search, please [Contact Us](#) (include part# in email)

LOWEST PRICES!

BEFORE OPERATING THIS VEHICLE, THE OWNER AND/OR OPERATOR MUST UNDERSTAND THE VEHICLE WAS NOT DESIGNED OR MANUFACTURED TO MEET SPECIFICATIONS FOR USE ON PUBLIC ROADS, STREETS, HIGHWAYS, OR THOROUGHFARES AND HAVE READ AND HAVE AN UNDERSTANDING OF ALL THE INSTRUCTIONS FOR SAFE ASSEMBLY AND OPERATION AS WELL AS THE INSTRUCTIONS GOVERNING THE ENGINE AND OTHER PORTIONS OF THE VEHICLE.



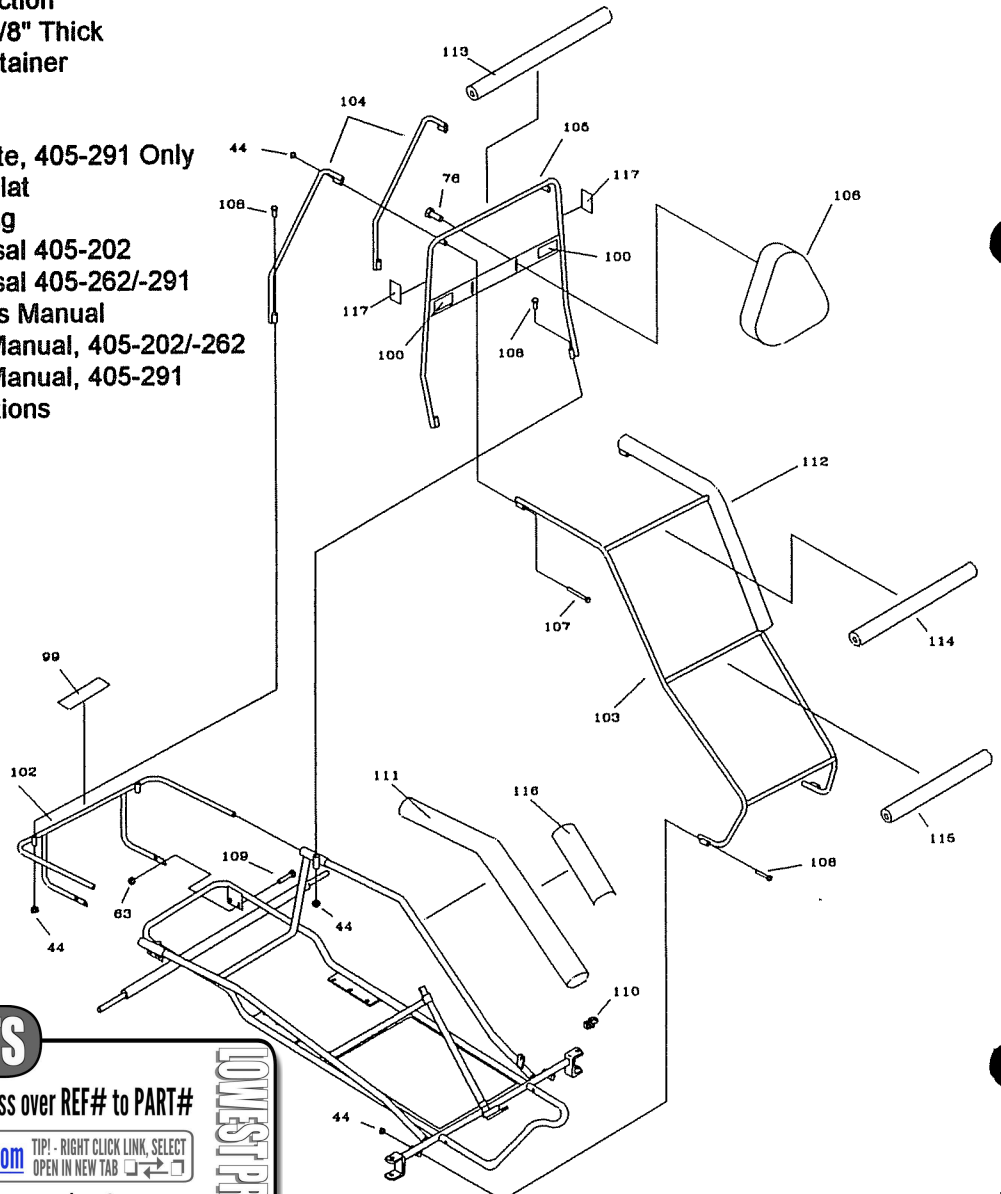
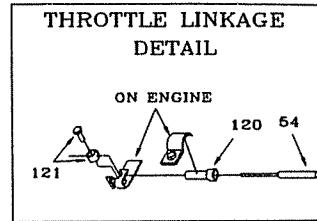
REPAIR PARTS - MODEL 405-202/-262/-291

REF NO.	PART NO.	DESCRIPTION	REF NO.	PART NO.	DESCRIPTION
1	8125-19	Frame, 405-202	52	9091	Washer, 3/8 Flat
	8125-18	Frame, 405-262/-291	53	9145	Bolt, 3/8-16 x 1-3/4"
2	9737	Engine, 5.5hp, 405-202/-262	54	1390	Throttle Cable w/ Housing (inc. REF 55)
	9661	Engine, 5hp, 405-291	55	9058	Nut, 5/16-24 Jam
3	9973-2	Seat Frame	56	9057	Nut, 1/4-20 Toplock
4	4324	Seat Pad	57	1389	Bushing
5	1119	Spacer, 5/8 ID x 1/8"	58	1437	Pedal, Throttle
ASM	4335	Clutch Assembly (inc. REF 6-10)	59	1436	Pedal, Brake
6	4496	Clutch Rotor	60	1847	Bolt, 1/4-20 x 1"
7	3146	Washer, Fiber	61	9502	Spring, Left Wound
8	4491	Drum w/ Sprocket (inc. REF 9)	62	9110	Bolt, 3/8 x 7/8 Shldr., 5/16-18 x 5/8 Thd.
9	3143	Bushing	63	1189	Nut, 5/16-18 Toplock
10	3141	Snap Ring	64	9796	Screw, 12-24 x 1/2" Self Tapping
11	1398	Washer, 21/64 ID x 1-1/4 OD x 1/8"	65	1854	Washer, #14 Flat
12	1130	Washer, 3/8 Split Lock	66	9503	Spring, Right Wound
13	3363-2	Bracket, Chainguard	67	1849	Bolt, 1/4-20 x 1-1/2"
14	5135	Clip Nut	68	9945-2	Brake Rod, Front
15	6734	Seat Slide Pair, 405-202/-262 Only	69	9946-2	Brake Rod, Rear
16	8139	Bolt, 5/16-24 x 1"	70	9709	Spring
17	3362	Chainguard	71	1982	Pedal Latch
18	6039	Washer, #10 Lock	72	1846	Bolt, 1/4-20 x 3/4"
19	6046	Screw, #10-24 x 1/2"	73	9116	Cotter Pin
20	9186	Bolt, 5/16-18 x 1-1/2"	74	9118	Clevis Pin
21	1046	Nut, 5/8-11 Toplock	75	1263	Nut, 5/16-18 Flange
ASM	8117	Front Wheel Assembly (inc. REF 22-28)	76	1876	Bolt, 1/4-20 x 5/8" Whiz Flange
ASM	9342	Idle Wheel Asm (inc. REF 22-25,29-31)	77	1036	Brake Band
ASM	8104	Drive Wheel Asm (inc. REF 22-25,29-39)	78	1019	Ty-Wrap
22	1093	Bearing	ASM	9799	Stop Switch Assembly (inc. REF 79-81)
23	5839	Bolt, 1/4-20 x 3/4"	79	1392	Stop Switch
24	1186	Nut, 1/4-20	80	1393	Ring Terminal
25	5949	Spanner, 1-13/16"	81	1394	Wire, 50" w/ Splice Connector
26	8004	Wheel Half, Front 5"	82	1406	Wire w/ Blade Terminal
27	1753	Tube, Front 5"	83	9989	Washer, Retaining
28	9982	Tire, Front 4.10/3.50 x 5" Block	84	6038	Steering Wheel
29	1092	Wheel Half, Rear 6" Untapped	85	9080	Bolt, 1/4-20 x 2-3/4"
30	3802	Tube, Rear 6"	86	9160	Bolt, 1/4-20 x 7/8"
31	4915	Tire, Rear 145/70 x 6" Knobby	87	9990	Carriage Bolt, 5/16-18 x .625, Rd. Head
32	1095	Wheel Half, Rear 6" Tapped	88	1463	Bushing, Insulating
33	8008	Spacer	89	9978	Chain, #35 x 68 Pitch (inc. REF 90)
34	2388	Nut, 3/8-24	90	1269	Master Link, #35 Chain
35	9986	Sprocket, #35 Chain x 80 Teeth	91	4342	Decal, Floor Pan 405-202
36	9030	Washer, 5/16 Lock		6221	Decal, Floor Pan 405-262
37	9051	Bolt, 5/16-18 x 3"		9329	Decal, Floor Pan 405-291
38	1246	Brake Drum	92	1049	Decal, Caution
39	9988	Bolt, 5/16-18 x 4"	93	4912	Decal, Warning
40	1937	Spacer, 5/8 ID x 1/4" Thick	94	6791	Decal, Oil Clutch
41	1264	Bolt, 1/2-13 x 3-1/2"	95	6625	Decal, Tire Pressure
42	1012	Nut, 1/2-13 Toplock	96	3296	Decal, Strng Wheel Cntr 405-202/-262
43	8021	Spindle, Right Side		5946	Decal, Strng Wheel Cntr 405-291
NI	8020	Spindle, Left Side	97	9677	Decal, Hot Surfaces
44	9085	Nut, 3/8-16 Toplock	98	9678	Decal, Warning: Engine Exhaust
45	9146	Bolt, 3/8-16 x 1-1/2"	99	9679	Decal, No Riders Allowed
ASM	4355	Tie Rod Assembly (inc. REF 46-50)	100	8138	Decal, Warning: Entanglement
46	1414	Tie Rod End, Right Hand Thread	101	5950	Spanner, 2-1/8"
47	9092	Nut, 3/8-24 Jam, Right Hand Thread	102	9554-19	Rear Bar, 405-202
48	1415	Tie Rod End, Left Hand Thread		9554-18	Rear Bar, 405-262/-291
49	9024	Nut, 3/8-24 Jam, Left Hand Thread	103	9540-2	Front Bar
50	4352	Tie Rod	104	9549-2	Rear Upright Bar
51	9008	Bolt, 1/4-20 x 1/2" Whiz Flange	105	9547-2	Center Bar

REPAIR PARTS - MODEL 405-202/262/291

REF NO.	PART NO.	DESCRIPTION
106	6320	Headrest Pad
107	6452	Bolt, 3/8-16 x 5"
108	2386	Bolt, 3/8-16 x 3-1/2"
109	2264	Bolt, 5/16-18 x 3/4"
110	9776	Clamp, Foam Stop, 3/4"
111	9759B	Foam, Side Bar, 30"
112	9758Y	Foam, Front Bar, 43" 405-202
	9758W	Foam, Front Bar, 43" 405-262/-291
113	9763Y	Foam, 16" 405-202
	9763W	Foam, 16" 405-262/-291
114	9764Y	Foam, 15" 405-202
	9764W	Foam, 15" 405-262/-291
115	9765Y	Foam, 14" 405-202
	9765W	Foam, 14" 405-262/-291
116	9800	Arm Pad Cover, 405-202
	9797	Arm Pad Cover, 405-262
117	6540	Decal, Warning: Wear Helmet
118	8154	Decal, Age Restriction
119	1194	Washer, 3/4 ID, 1/8" Thick
120	1628	Throttle Cable Retainer
121	1018	Cable Stop
122	9176	Bolt, 5/16-18 x 1"
123	6983-2	Seat Adjuster Plate, 405-291 Only
124	9104	Washer, No. 10 Flat
125	5964	Decal, Oil Warning
NI	9798Y	Foam Kit, Universal 405-202
	9798W	Foam Kit, Universal 405-262/-291
NI	4350	Vehicle Operator's Manual
NI	2684E	Engine Owner's Manual, 405-202/262
NI	2684D	Engine Owner's Manual, 405-291
NI	9212R4	Assembly Instructions

ASM = Assembly
NI = Not Illustrated



ORDERING PARTS

1) Seek Part(s) from your models illustrated diagram, cross over REF# to PART#

2) Type PART# into sites [Search Box] at GoKartsRus.com TIP! - RIGHT CLICK LINK, SELECT OPEN IN NEW TAB

3) Add all needed parts to Shopping Cart | Complete "Checkout" | Done!

If a part does not come up in a Site Search, please [Contact Us](#) (include part# in email)

FAST & EASY!

LOWEST PRICES!