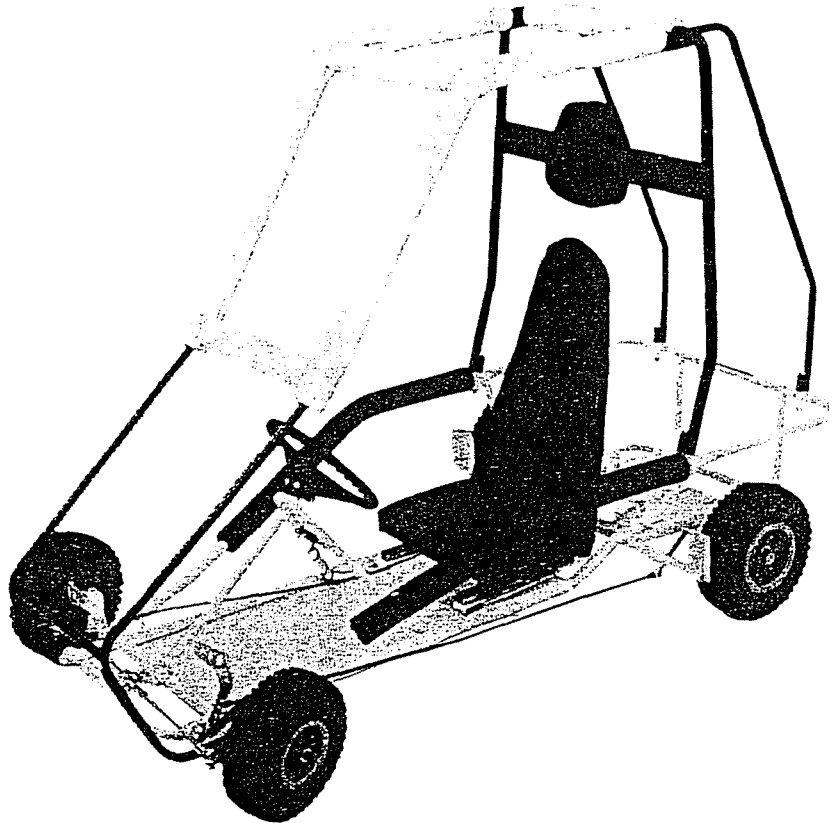


Operator's Manual SUPPLEMENT

MANCO MODEL NO.
407-00

WARNING:
Read Engine
Owner's Manual,
Vehicle Operator's
Manual, and
Supplement
Carefully Before
Operating
Vehicle.

Parts List



UNIT PICTURED SHOWS SCRUB BRAKES.
ACTUAL UNIT EQUIPPED WITH BAND BRAKES.

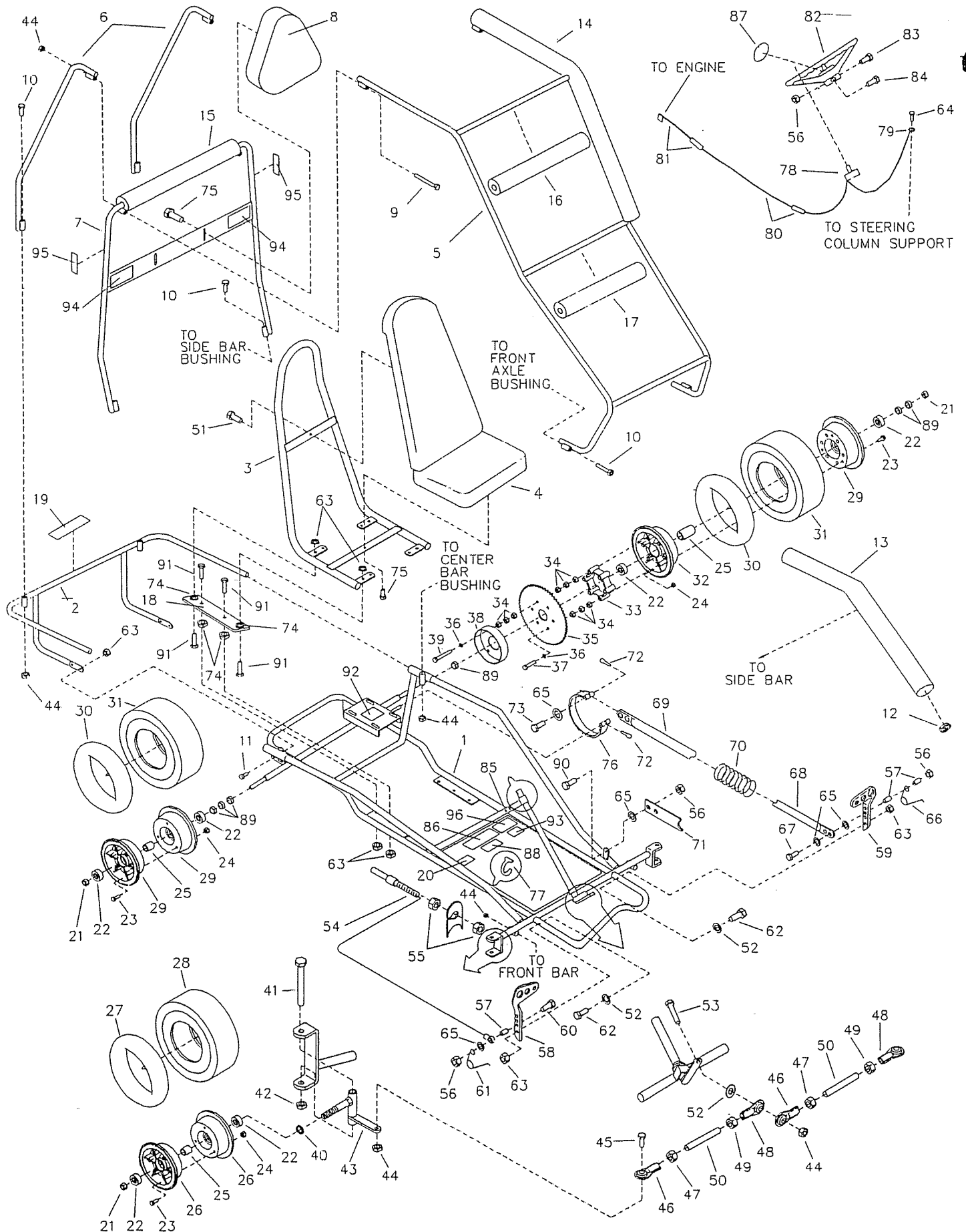
MANCO

ORDERING PARTS

- FAST & EASY!**
- 1) Seek Part(s) from your models illustrated diagram, cross over REF# to PART#
 - 2) Type PART# into sites [Search Box] at GoKartsRus.com TIP! - RIGHT CLICK LINK, SELECT OPEN IN NEW TAB
 - 3) Add all needed parts to Shopping Cart | Complete "Checkout" | Done!
- LOWEST PRICES!**

If a part does not come up in a Site Search, please [Contact Us](#) (include part# in email)

BEFORE OPERATING THIS VEHICLE, THE OWNER AND/OR OPERATOR MUST UNDERSTAND THE VEHICLE WAS NOT DESIGNED OR MANUFACTURED TO MEET SPECIFICATIONS FOR USE ON PUBLIC ROADS, STREETS, HIGHWAYS, OR THOROUGHFARES AND HAVE READ AND HAVE AN UNDERSTANDING OF ALL THE INSTRUCTIONS FOR SAFE ASSEMBLY AND OPERATION AS WELL AS THE INSTRUCTIONS GOVERNING THE ENGINE AND OTHER PORTIONS OF THE VEHICLE.



REPAIR PARTS - MODEL 407-00

REF NO.	PART NO.	DESCRIPTION	REF NO.	PART NO.	DESCRIPTION
1	8125-19	Frame	54	1390	Throttle Cable w/ Housing (inc. REF 55)
2	9554-19	Rear Bar, Sgl Seat	55	9058	Nut, 5/16-24 Jam
3	9973-2	Seat Frame	56	9057	Nut, 1/4-20 Toplock
4	4324	Seat Pad	57	1389	Bushing
5	9540-2	Front Bar, Sgl Seat	58	1437	Pedal, Throttle
6	9549-2	Rear Upright Bar	59	1436	Pedal, Brake
7	9547-2	Center Bar, Sgl Seat	60	1847	Bolt, 1/4-20 x 1"
8	6320	Headrest Pad, Sgl Seat	61	9502	Spring, Left Wound
9	6452	Bolt, 3/8-16 x 5"	62	9110	Bolt, 3/8 x 7/8 Shldr., 5/16-18 x 5/8 Thd.
10	2386	Bolt, 3/8-16 x 3-1/2"	63	1189	Nut, 5/16-18 Toplock
11	2264	Bolt, 5/16-18 x 3/4"	64	9796	Screw, 12-24 x 1/2" Self-Tapping
12	9776	Clamp, Foam Stop, 3/4"	65	1854	Washer, #14 Flat
13	9759B	Foam, Side Bar, 30"	66	9503	Spring, Right Wound
14	9758Y	Foam, Front Bar, 43"	67	1849	Bolt, 1/4-20 x 1-1/2"
15	9763Y	Foam, 16" Sgl Seat	68	9945-2	Brake Rod, Front
16	9764Y	Foam, 15" Sgl Seat	69	9946-2	Brake Rod, Rear
17	9765Y	Foam, 14" Sgl Seat	70	9709	Spring
18	6983-2	Seat Adjuster Plate	71	1982	Pedal Latch
19	9679	Decal, No Riders Allowed	72	9116	Cotter Pin
20	6621	Decal, Tire Pressure	73	9118	Clevis Pin
21	1046	Nut, 5/8-11 Toplock	74	1263	Nut, 5/16-18 Flange
ASM	2497	Front Wheel Assembly (inc. REF 22-28)	75	1876	Bolt, 1/4-20 x 5/8" Whiz Flange
ASM	2247	Idle Wheel Asm (inc. REF 22-25,29-31)	76	1036	Brake Band
ASM	8135	Drive Wheel Asm (inc. REF 22-25,29-39)	77	1019	Ty-Wrap
22	1093	Bearing	ASM	9799	Stop Switch Assembly (inc. REF 79-81)
23	5839	Bolt, 1/4-20 x 3/4" Whiz Flange	78	1392	Stop Switch
24	1186	Nut, 1/4-20	79	1393	Ring Terminal
25	5949	Spanner	80	1394	Wire, 50" w/Splice Connector
26	5158	Wheel Half, Front 4"	81	1406	Wire w/ Blade Terminal
27	1053	Tube, Front 4"	82	6038	Steering Wheel
28	2244	Tire, Front 4.10/3.50 x 4" Knobby	83	9080	Bolt, 1/4-20 x 2-3/4"
29	8004	Wheel Half, Rear 5" Untapped	84	9160	Bolt, 1/4-20 x 7/8"
30	1753	Tube, Rear 5"	85	1463	Bushing, Insulating
31	2246	Tire, Rear 4.10/3.50 x 5" Knobby	86	4504	Decal, Warning
32	8006	Wheel Half, Rear 5" Tapped	87	3296	Decal, Steering Wheel Center
33	8008	Spacer	88	2832	Decal, Warning No Passengers
34	2388	Nut, 3/8-24	89	1119	Spacer, 5/8 ID x 1/8"
35	8007	Sprocket, #35 Chain x 60 Teeth	90	1846	Bolt, 1/4-20 x 3/4"
36	9030	Washer, 5/16 Lock	91	9176	Bolt, 5/16-18 x 1"
37	9051	Bolt, 5/16-18 x 3"	92	8151	Decal, Warning 5Hp Maximum
38	1246	Brake Drum	93	8152	Decal, Warning Install Chainguard
39	9988	Bolt, 5/16-18 x 4"	94	8138	Decal, Warning: Entanglement
40	1937	Spacer, 5/8 ID x 1/4" Thick	95	6540	Decal, Warning: Wear Helmet
41	1264	Bolt, 1/2-13 x 3-1/2"	96	8154	Decal, Age Restriction
42	1012	Nut, 1/2-13 Toplock	NI	4350	Vehicle Operator's Manual
43	8021	Spindle, Right Side	NI	2600	Engine Owner's Manual
NI	8020	Spindle, Left Side	NI	9212R4	Assembly Instructions
44	9085	Nut, 3/8-16 Toplock	NI	5964	Decal, Oil Warning
45	9146	Bolt, 3/8-16 x 1-1/2"	NI	9798Y	Foam Kit, Universal
ASM	4355	Tie Rod Assembly (inc. REF 46-50)			
46	1414	Tie Rod End, Right Hand Thread			
47	9092	Nut, 3/8-24 Jam, Right Hand Thread			
48	1415	Tie Rod End, Left Hand Thread			
49	9024	Nut, 3/8-24 Jam, Left Hand Thread			
50	4352	Tie Rod			
51	9006	Bolt, 1/4-20 x 1/2" Whiz Flange			
52	9091	Washer, 3/8 Flat			
53	9145	Bolt, 3/8-16 x 1-3/4"			

ASM = Assembly
 NI = Not Illustrated