

Operator's Manual SUPPLEMENT

MANCO MODEL NO.

415-202

415-262

415-291

WARNING:
Read Engine
Owner's Manual,
Vehicle Operator's
Manual, and
Supplement
Carefully Before
Operating
Vehicle.

Parts List



(UNIT PICTURED IS MODEL 415-20)

MANCO
PRODUCTS, INC.

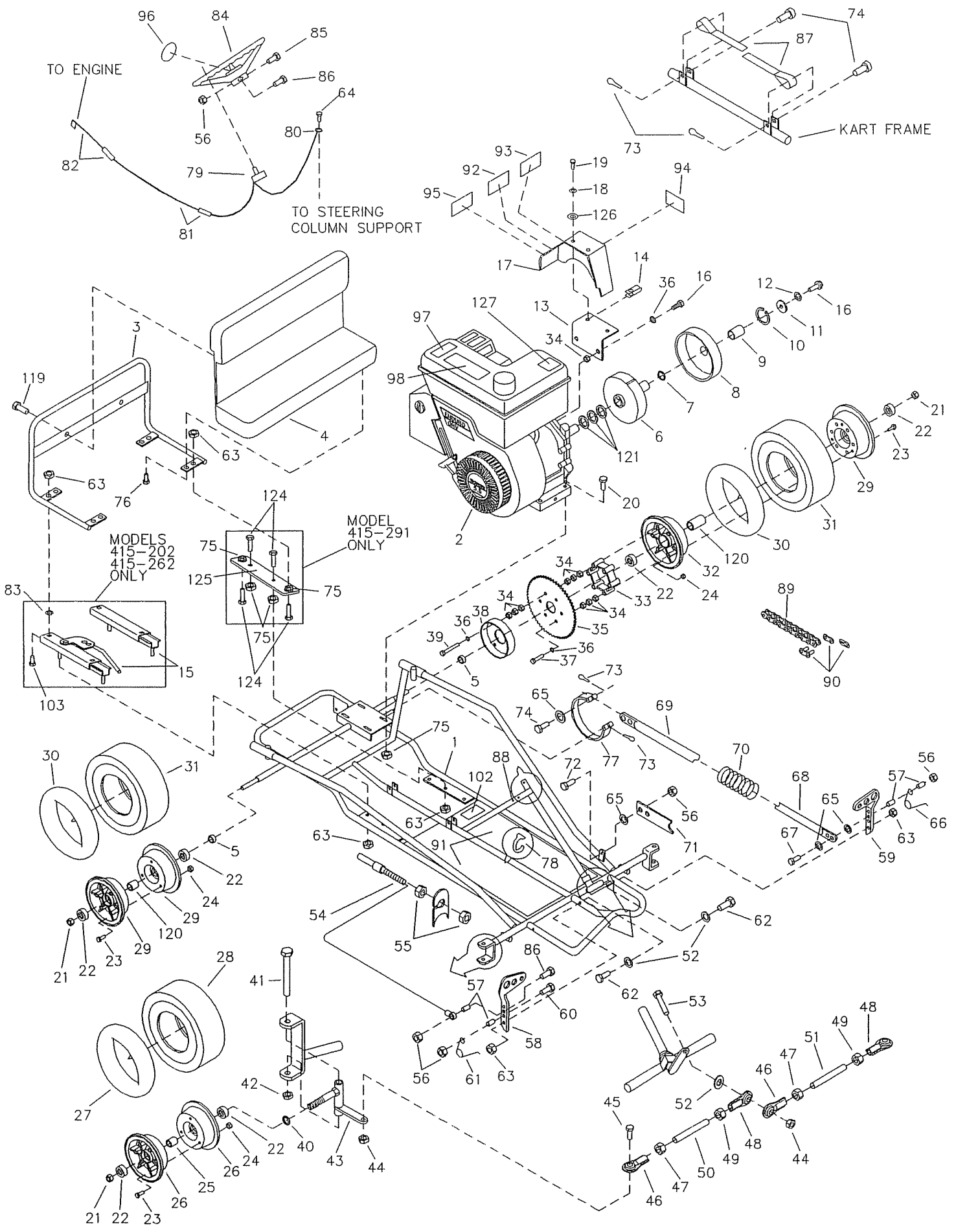
ORDERING PARTS

- FAST & EASY!**
- 1) Seek Part(s) from your models illustrated diagram, cross over REF# to PART#
 - 2) Type PART# into sites [Search Box] at GoKartsRus.com TIP! - RIGHT CLICK LINK, SELECT OPEN IN NEW TAB
 - 3) Add all needed parts to Shopping Cart | Complete "Checkout" | ✓ Done!

If a part does not come up in a Site Search, please [Contact Us](#) (include part# in email)

LOWEST PRICE!

BEFORE OPERATING THIS VEHICLE, THE OWNER AND/OR OPERATOR MUST UNDERSTAND THE VEHICLE WAS NOT DESIGNED OR MANUFACTURED TO MEET SPECIFICATIONS FOR USE ON PUBLIC ROADS, STREETS, HIGHWAYS, OR THOROUGHFARES AND HAVE READ AND HAVE AN UNDERSTANDING OF ALL THE INSTRUCTIONS FOR SAFE ASSEMBLY AND OPERATION AS WELL AS THE INSTRUCTIONS GOVERNING THE ENGINE AND OTHER PORTIONS OF THE VEHICLE.

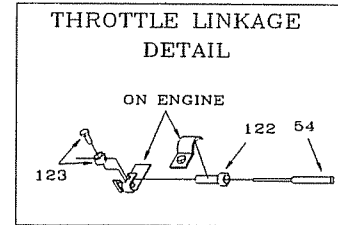


REPAIR PARTS - MODEL 415-202/-262/-291

REF NO.	PART NO.	DESCRIPTION	REF NO.	PART NO.	DESCRIPTION
1	8124-19	Frame, 415-202	51	4356	Tie Rod, Short
	8124-18	Frame, 415-262/-291	52	9091	Washer, 3/8 Flat
2	9737	Engine, 5.5hp 415-202/-262	53	9145	Bolt, 3/8-16 x 1-3/4"
	9661	Engine, 5hp 415-291	54	1390	Throttle Cable w/ Housing (inc. REF 55)
3	9968-2	Seat Frame	55	9058	Nut, 5/16-24 Jam
4	8134	Seat Back/Bottom	56	9057	Nut, 1/4-20 Toplock
5	1119	Spacer, 5/8 ID x 1/8"	57	1389	Bushing
ASM	4335	Clutch Assembly (inc. REF 6-10)	58	1437	Pedal, Throttle
6	4496	Clutch Rotor	59	1436	Pedal, Brake
7	3146	Washer, Fiber	60	1847	Bolt, 1/4-20 x 1"
8	4491	Drum w/ Sprocket (inc. REF 9)	61	9502	Spring, Left Wound
9	3143	Bushing	62	9110	Bolt, 3/8 x 7/8 Shldr., 5/16-18 x 5/8 Thd.
10	3141	Snap Ring	63	1189	Nut, 5/16-18 Toplock
11	1398	Washer, 21/64 ID x 1-1/4 OD x 1/8"	64	9796	Screw, 12-24 x 1/2" Self Tapping
12	1130	Washer, 3/8 Split Lock	65	1854	Washer, #14 Flat
13	3363-2	Bracket, Chainguard	66	9503	Spring, Right Wound
14	5135	Clip Nut	67	1849	Bolt, 1/4-20 x 1-1/2"
15	6734	Seat Slide Pair, 415-202/-262 Only	68	9945-2	Brake Rod, Front
16	8139	Bolt, 5/16-24 x 1"	69	9946-2	Brake Rod, Rear
17	3362	Chainguard	70	9709	Spring
18	6039	Washer, #10 Lock	71	1982	Pedal Latch
19	6046	Screw, #10-24 x 1/2"	72	1846	Bolt, 1/4-20 x 3/4"
20	9186	Bolt, 5/16-18 x 1-1/2"	73	9116	Cotter Pin
21	1046	Nut, 5/8-11 Toplock	74	9118	Clevis Pin
ASM	8117	Front Wheel Assembly (inc. REF 22-28)	75	1263	Nut, 5/16-18 Flange
ASM	9342	Idle Wheel Asm (inc. REF 22-25,29-31)	76	9189	Bolt, 1/4-20 x 7/8"
ASM	8104	Drive Wheel Asm (inc. REF 22-25,29-39)	77	1036	Brake Band
22	1093	Bearing	78	1019	Ty-Wrap
23	5839	Bolt, 1/4-20 x 3/4"	ASM	9799	Stop Switch Assembly (inc. REF 79-81)
24	1186	Nut, 1/4-20	79	1392	Stop Switch
25	5949	Spanner, 5/8 ID x 1-13/16"	80	1393	Ring Terminal
26	8004	Wheel Half, Front 5"	81	1394	Wire, 50" w/ Splice Connector
27	1753	Tube, Front 5"	82	1406	Wire w/ Blade Terminal
28	9982	Tire, Front 4.10/3.50 x 5" Block	83	9989	Washer, Retaining
29	1092	Wheel Half, Rear 6" Untapped	84	6038	Steering Wheel
30	3802	Tube, Rear 6"	85	9080	Bolt, 1/4-20 x 2-3/4"
31	4915	Tire, Rear 145/70 x 6" Knobby	86	9160	Bolt, 1/4-20 x 7/8"
32	1095	Wheel Half, Rear 6" Tapped	87	4372	Handhold Strap
33	8008	Spacer	88	1463	Bushing, Insulating
34	2388	Nut, 3/8-24	89	9978	Chain, #35 x 86 Pitch (inc. REF 90)
35	9986	Sprocket, #35 Chain x 80 Teeth	90	1269	Master Link, #35 Chain
36	9030	Washer, 5/16 Lock	91	4341	Decal, Floor Pan 415-202
37	9051	Bolt, 5/16-18 x 3"		6222	Decal, Floor Pan 415-262
38	1246	Brake Drum		9330	Decal, Floor Pan 415-291
39	9988	Bolt, 5/16-18 x 4"	92	1049	Decal, Caution
40	1937	Spacer, 5/8 ID x 1/4" Thick	93	4912	Decal, Warning
41	1264	Bolt, 1/2-13 x 3-1/2"	94	6791	Decal, Oil Clutch
42	1012	Nut, 1/2-13 Toplock	95	6625	Decal, Tire Pressure
43	8021	Spindle, Right Side	96	3296	Decal, Strng Wheel Cntr 415-202/-262
NI	8020	Spindle, Left Side		5946	Decal, Strng Wheel Cntr 415-291
44	9085	Nut, 3/8-16 Toplock	97	9677	Decal, Hot Surfaces
45	9146	Bolt, 3/8-16 x 1-1/2"	98	9678	Decal, Warning: Engine Exhaust
ASM	4359	Tie Rod Assembly (inc. REF 46-50)	99	9679	Decal, No Riders Allowed
ASM	4358	Tie Rod Assembly (inc. REF 46-49,51)	100	8138	Decal, Warning: Entanglement
46	1414	Tie Rod End, Right Hand Thread	101	6540	Decal, Warning: Wear Helmet
47	9092	Nut, 3/8-24 Jam, Right Hand Thread	102	8154	Decal, Age Restriction
48	1415	Tie Rod End, Left Hand Thread	103	9990	Carriage Bolt, 5/16-18 x .625, Rd. Head
49	9024	Nut, 3/8-24 Jam, Left Hand Thread	104	9553-19	Rear Bar, 415-202
50	5003	Tie Rod, Long		9553-18	Rear Bar, 415-262/-291

REPAIR PARTS - MODEL 415-202/-262/-291

REF NO.	PART NO.	DESCRIPTION
105	9539-2	Front Bar
106	9549-2	Rear Upright Bar
107	9546-2	Center Bar
108	6217	Headrest Pad
109	6452	Bolt, 3/8-16 x 5"
110	2386	Bolt, 3/8-16 x 3-1/2"
111	2264	Bolt, 5/16-18 x 3/4"
112	9776	Clamp, Foam Stop, 3/4"
113	9759B	Foam, Side Bar, 30"
114	9758Y	Foam, Front Bar, 43" 415-202
	9758W	Foam, Front Bar, 43" 415-262/-291
115	9760Y	Foam, 22" 415-202
	9760W	Foam, 22" 415-262/-291
116	9761Y	Foam, 21" 415-202
	9761W	Foam, 21" 415-262/-291
117	9762Y	Foam, 20" 415-202
	9762W	Foam, 20" 415-262/-291
118	9800	Arm Pad Cover, 415-202
	9797	Arm Pad Cover, 415-262
119	1876	Bolt, 1/4-20 x 5/8"
120	5950	Spanner, 5/8 ID x 2-1/8"
121	1194	Washer, 3/4 ID, 1/8" Thick
122	1628	Throttle Cable Retainer
123	1018	Cable Stop
124	9176	Bolt, 5/16-18 x 1"
125	6983-2	Seat Adjuster Plate, 415-291 Only
126	9104	Washer, No. 10 Flat
127	5964	Decal, Oil Warning
NI	4350	Vehicle Operator's Manual
NI	2684E	Engine Owner's Manual, 415-202/-262
NI	2684D	Engine Owner's Manual, 415-291
NI	9212R4	Assembly Instructions
NI	9798Y	Foam Kit, 415-202
NI	9798W	Foam Kit, 415-262/-291



ASM = Assembly
NI = Not Illustrated

