

Operator's Manual  
SUPPLEMENT  
Model No. 425B-X  
426C-X

**⚠ WARNING:**

Read Engine Owner's Manual, Vehicle Operator's Manual, and Supplement Carefully Before Operating Vehicle.

Parts List



**ORDERING PARTS**

- FAST & EASY!**
- 1) Seek Part(s) from your models illustrated diagram, cross over REF# to PART#
  - 2) Type PART# into sites [Search Box] at [GoKartsRus.com](http://GoKartsRus.com) TIP! - RIGHT CLICK LINK, SELECT OPEN IN NEW TAB
  - 3) Add all needed parts to Shopping Cart | Complete "Checkout" | ✓ Done!
- LOWEST PRICES!**

*If a part does not come up in a Site Search, please [Contact Us](#) (include part# in email)*

**THIS VEHICLE IS FOR  
OFF-ROAD USE ONLY**

BEFORE OPERATING THIS VEHICLE, THE OWNER AND/OR OPERATOR MUST UNDERSTAND THE VEHICLE WAS NOT DESIGNED OR MANUFACTURED TO MEET SPECIFICATIONS FOR USE ON STREETS, HIGHWAYS, OR THOROUGHFARES AND HAVE READ AND HAVE AN UNDERSTANDING OF ALL THE INSTRUCTIONS FOR SAFE ASSEMBLY AND OPERATION AS WELL AS THE INSTRUCTIONS GOVERNING THE ENGINE AND OTHER PORTIONS OF THE VEHICLE.

## PARTS LIST FOR MODELS 425B, 426C

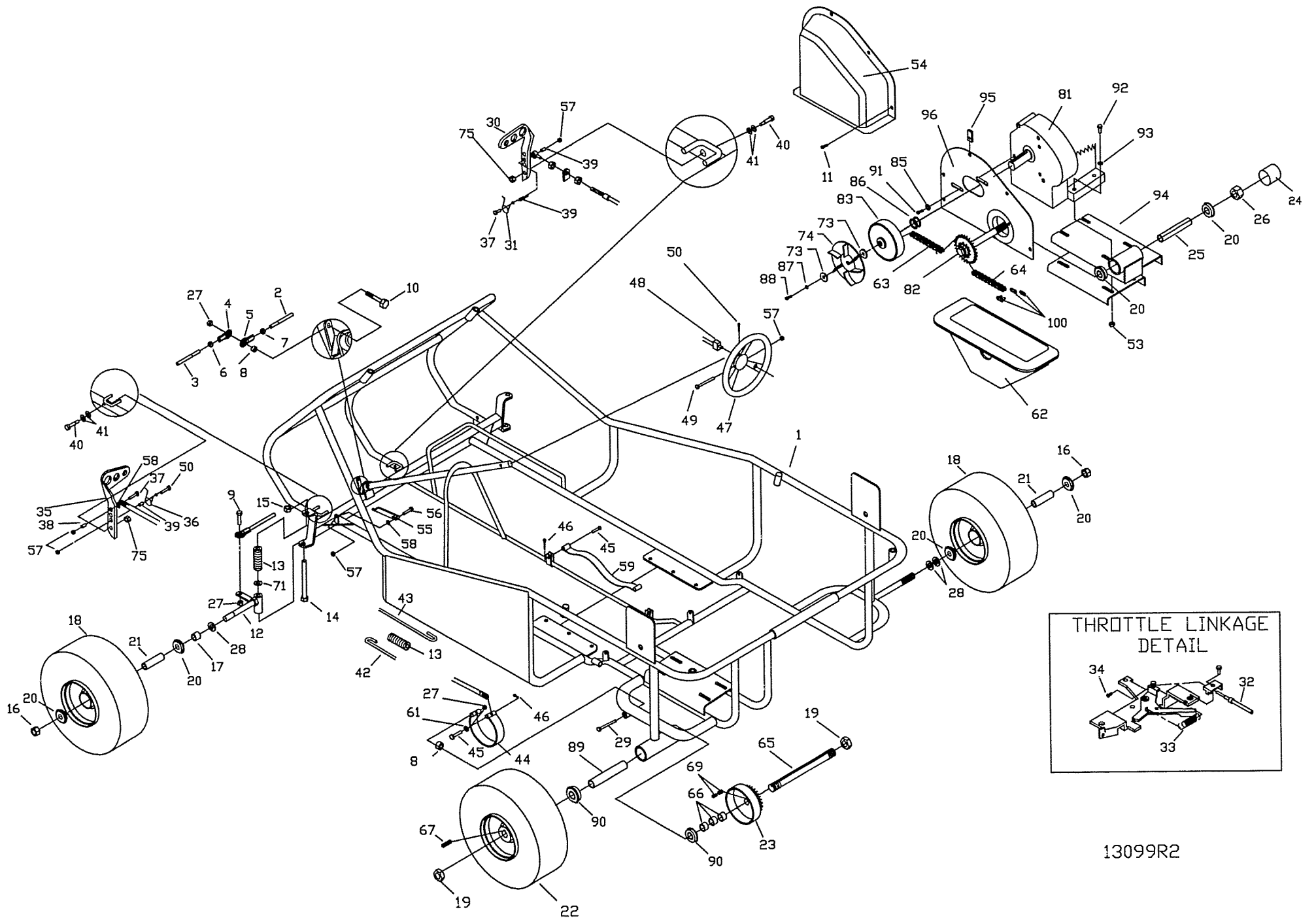
REF NO.	PART NO.	DESCRIPTION
1	13098-37	FRAME - RED (426C,425B)
	13098-39	FRAME - TRAFFIC YELLOW (425B)
	13098-13	FRAME -ORANGE (425B)
<b>ASM</b>	10869	TIE ROD ASSY LONG (INCL 2, 4-7)
<b>ASM</b>	5020	TIE ROD ASSY SHORT (INCL. 3-7)
2	10868	TIE ROD 19.0
3	5004	TIE ROD 7.25
4	1415	TIE ROD END - LEFT
5	1414	TIE ROD END - RIGHT
6	9024	NUT, 3/8-24 JAM LH THREAD
7	9092	NUT, 3/8-24 JAM RH THREAD
8	9674-16	SPACER, 3/8 ID X 3/8 LONG
9	9146	BOLT, 3/8-16 X 1.50
10	9158	BOLT, 3/8-16 X 2.25
11	9006	BOLT, 1/4-20 X .50 HEX FLNGE WHZ
12	10548-2Z	LEFT SPINDLE BLACK WITH ZERK
<b>NI</b>	10549-2Z	RIGHT SPINDLE BLACK WITH ZERK
13	9709	COMPRESSION SPRING
14	5682	BOLT, 1/2-13 X 5.50 G5 ZINC
15	1012	NUT, 1/2-13 TOPLOCK
16	1046	NUT, 5/8-11 TOPLOCK
17	1104	SPACER SPLIT .812OD .625ID 1.000L
18	12490	WHEEL ASSY 6 INCH KNOBBY (INCLUDES 20 & 21)
		TIRE 145/70 x 6 KNOBBY (REPLACEMENT PART FOR #12490)
<b>NI</b>	4915C	INNER TUBE 6IN JS87N STEM (REPLACEMENT PART FOR #12490)
<b>NI</b>	3802	INNER TUBE 6IN JS87N STEM (REPLACEMENT PART FOR #12490)
19	9162	NUT 3/4-10 HEX TL Z
20	5090	BEARING, 5/8" I.D.
21	5950	SPANNER, 5/8" I.D. X 2-1/8"
22	12778	DRIVE WHEEL ASSEMBLY 6 INCH 145/70 KNOBBY
		SPROCKET WITH DRUM
23	12745	SPROCKET WITH DRUM
24	11808	CAP VINYL 1.5 ID 1.5LG
25	6568	SPANNER 5/8 ID X 3-7/8 LG 11GA
26	1466	NUT 5/8-11 FLEXLOK JAM
27	9085	NUT 3/8-16 TOPLOCK HEX
28	1119	SPACER .625ID 1.062OD .125THK Z
29	2386	BOLT 3/8-16 X 3.50HHCS G5 Z
30	6309-16	THROTTLE PEDAL

REF NO.	PART NO.	DESCRIPTION
31	9503	PEDAL SPRING - RIGHT WOUND
32	8251	THROTTLE CABLE 74.50 INCH
33	12348	RETURN SPRING
34	12347	SWIVEL SCREW
35	6293-16	BRAKE PEDAL
36	9502	PEDAL SPRING - LEFT WOUND
37	1848	BOLT, 1/4-20 X 1.25
38	6349	BUSHING, 5/16 OD X 22G
39	1389	BUSHING, 1/4 ID X .313
40	1447	BOLT, 3/8 X 1-1/8 SHOULDER
41	9091	WASHER, FLAT 3/8 SAE N
42	12733-2	BRAKE ROD - REAR BLACK
43	9945-2	BRAKE ROD - FRONT BLACK
44	1036	BRAKE BAND W/RETAINER
45	9118	CLEVIS PIN 1/4 X 1.250 Z
46	9116	COTTER PIN 3/32 X .750 Z
47	6038	STEERING WHEEL
48	9799	STOP SWITCH WIRE ASM
<b>NI</b>	12273	WIRE HARNESS
49	9080	BOLT, 1/4-20 X 2.75 HHCS G2 Z
50	9160	BOLT, 1/4-20 X .875 NYLOCK
<b>NI</b>	9796	BOLT, #12-24 X .500 SELF TAPPING
51	6320	HEADREST - SINGLE
52	12734	SEAT - BACK/BOTTOM DBL - BLK
53	1263	NUT 5/16-18 HEX FLANGED WHIZ
54	12600	TOP GUARD
55	13310-2	PEDAL LATCH - BLACK
56	1846	BOLT, 1/4-20 X .750
57	9057	NUT, 1/4-20 TOPLOCK
58	1854	WASHER, #14 FLAT MS Z
59	4372	HANDHOLD STRAP
60	2388	NUT 3/8-24 HEX Z
61	5732	WASHER 1/4 IEL Z
62	12741	BOTTOM GUARD
63	9788	CHAIN 35 X 58 PITCH (INCL. #100)
64	12658	CHAIN 35 X 56 PITCH (INCL. #100)
65	12825	JACKSHAFT 3/4 X 11.50IN
66	1938	SPACER .75ID 11GA .375 ZI
67	3403	KEY 3/16SQ X 2.000
68	8778	HARNESS LAP SHOULDER REST
69	1031	KEY 3/16SQ X .500L

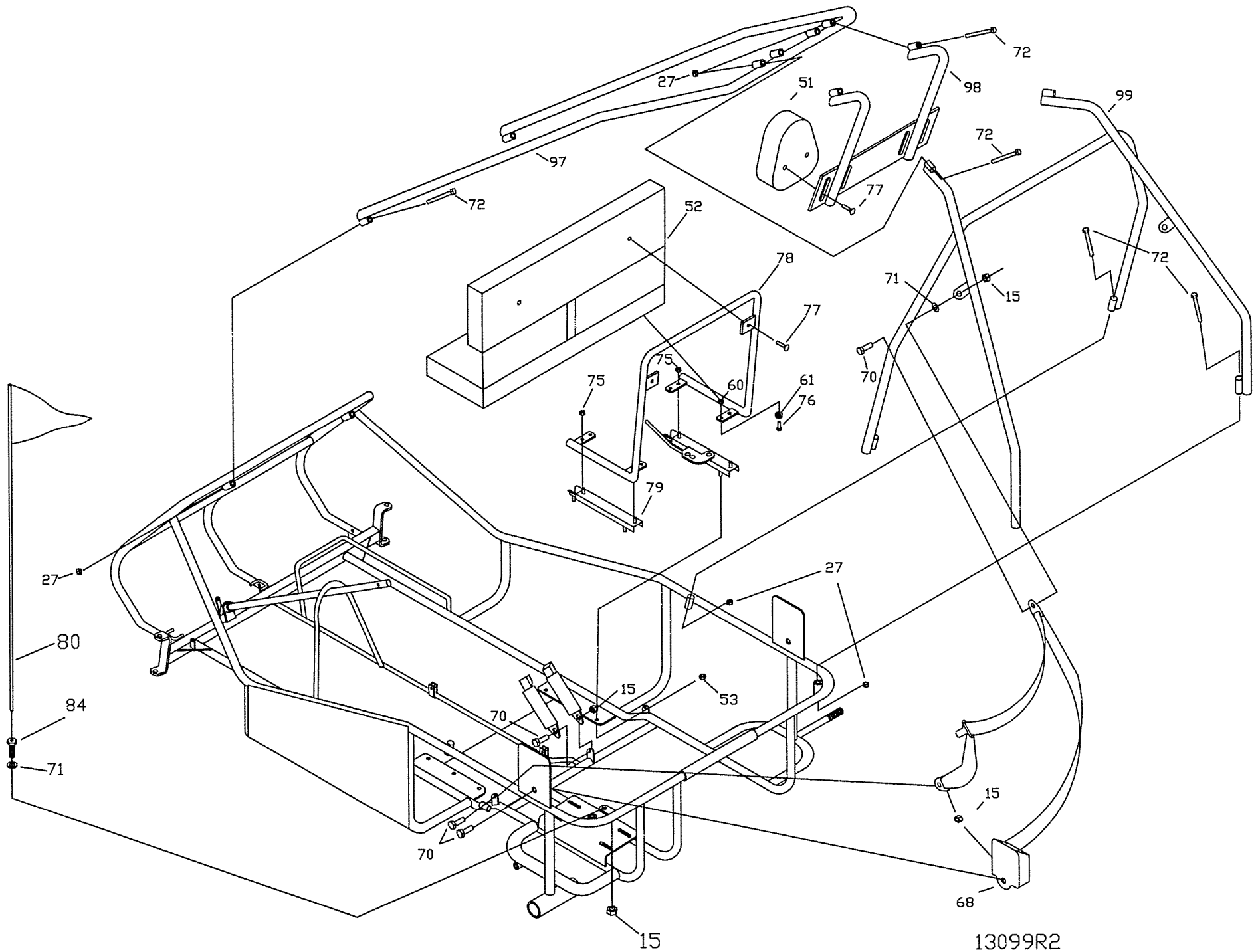
REF NO.	PART NO.	DESCRIPTION
70	9188	BOLT, 1/2-13 X 1.50
71	9022	WASHER, 1/2 FLAT
72	2386	BOLT, 3/8-16 X 3.50
<b>NI</b>	5287	BOLT #10-16 X .375 SELF TAPPING
<b>NI</b>	5288	WIRE CLAMP
73	1398	WASHER, 21/64 ID X 1 1/4 X 1/8
74	13048	IMPELLER
75	1189	NUT, 5/16-18 HEX TOPLOCK
76	9189	BOLT, 1/4-20 X .875 HEX FLANGEWHIZ
77	1876	BOLT 1/4-20 X .625 HEX FLANGE WHIZ
78	9968-2	SEAT FRAME - BLACK
79	6734	SEAT SLIDE - PAIR
80	5447	SAFETY FLAG - 6FT
81	12247	ENGINE 5HP OHC (425B)
		ENGINE 6.5HP OHC W/COIL (426C)
82	12250	SPROCKET ASM 36/16T (426C)
		SPROCKET ASM 36/12T (425B)
83	4335	CLUTCH .75ID SGL SPKT MAX T
84	11361	FLAG MOUNTING BOLT
85	9060	WASHER 5/16 TYPE A PLAIN SAE N Z
86	1168	WASHER, 3/4 ID STEEL
87	1124	WASHER, 5/16 SPLIT LOCK
88	8139	BOLT, 5/16-24 X 1.00 HHCS
89	12827	SPANNER 3/4 ID 3.672 LG
90	12783	BEARING - 3/4ID X 1-3/4OD SNP RING
91	9101	BOLT, 5/16-24 X .500 W/ NYLON
92	9186	BOLT, 5/16-18 X 1.500
93	9030	WASHER, 5/16 INT/EXT LOCK
94	12742-2	JACKSHAFT WDMT BLACK
95	8227	NUT, 1/4-20 TINNERMAN
96	13095	COVER PLATE ASSEMBLY
97	13074-2	FRONT BAR - BLACK
98	12731-2	HEADREST WDMT - BLACK
99	13071-2	REAR BAR - BLACK
100	1269	MASTERLINK 35 CHAIN
<b>NI</b>	12794	RUNNING LIGHT KIT (426C ONLY)
<b>NI</b>	13097	REPLACEMENT LIGHTS ONLY (426C)
<b>NI</b>	9389	10 AMP FUSE (USED IN RUN LIGHTS)
<b>NI</b>	12834	OPERATOR'S MANUAL
<b>NI</b>	11330	DECAL SHEET - WARNINGS LARGE
<b>NI</b>	12008	DECAL SHEET - WARNINGS (SM #2)

**ASM** = ASSEMBLY

**NI** = NOT ILLUSTRATED



13099R2



13099R2