

# Operator's Manual SUPPLEMENT

MANCO MODEL NO.

445-241    446-252

445-25    446-352

**WARNING:**  
Read Engine  
Owner's Manual,  
Vehicle Operator's  
Manual, and  
Supplement  
Carefully Before  
Operating  
Vehicle.

Parts List



(Unit Pictured is 445-25)

# MANCO

## ORDERING PARTS

FAST & EASY!

1) Seek Part(s) from your models illustrated diagram, cross over REF# to PART#

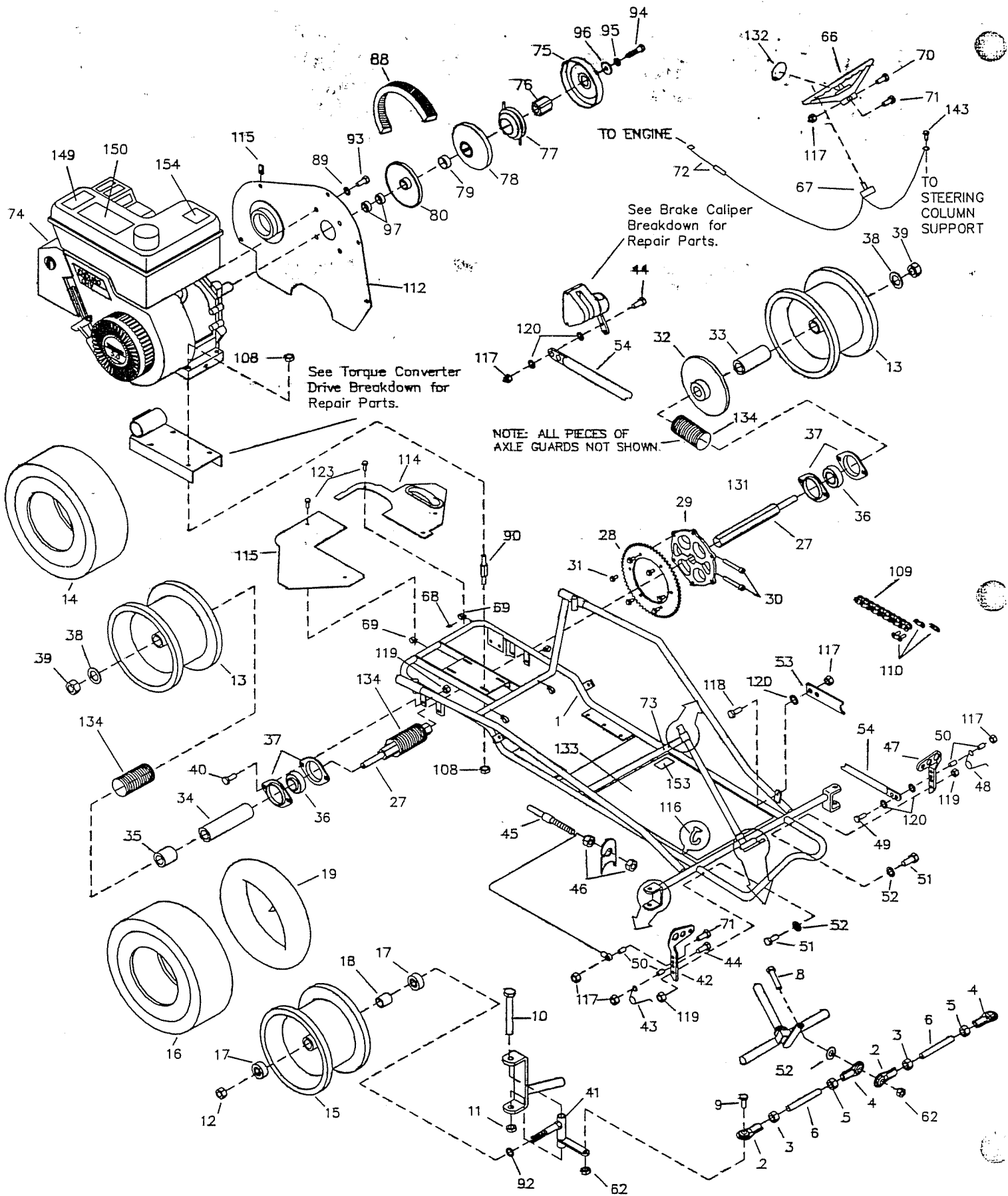
2) Type PART# into sites [Search Box] at [GoKartsRus.com](http://GoKartsRus.com) TIP! - RIGHT CLICK LINK, SELECT OPEN IN NEW TAB

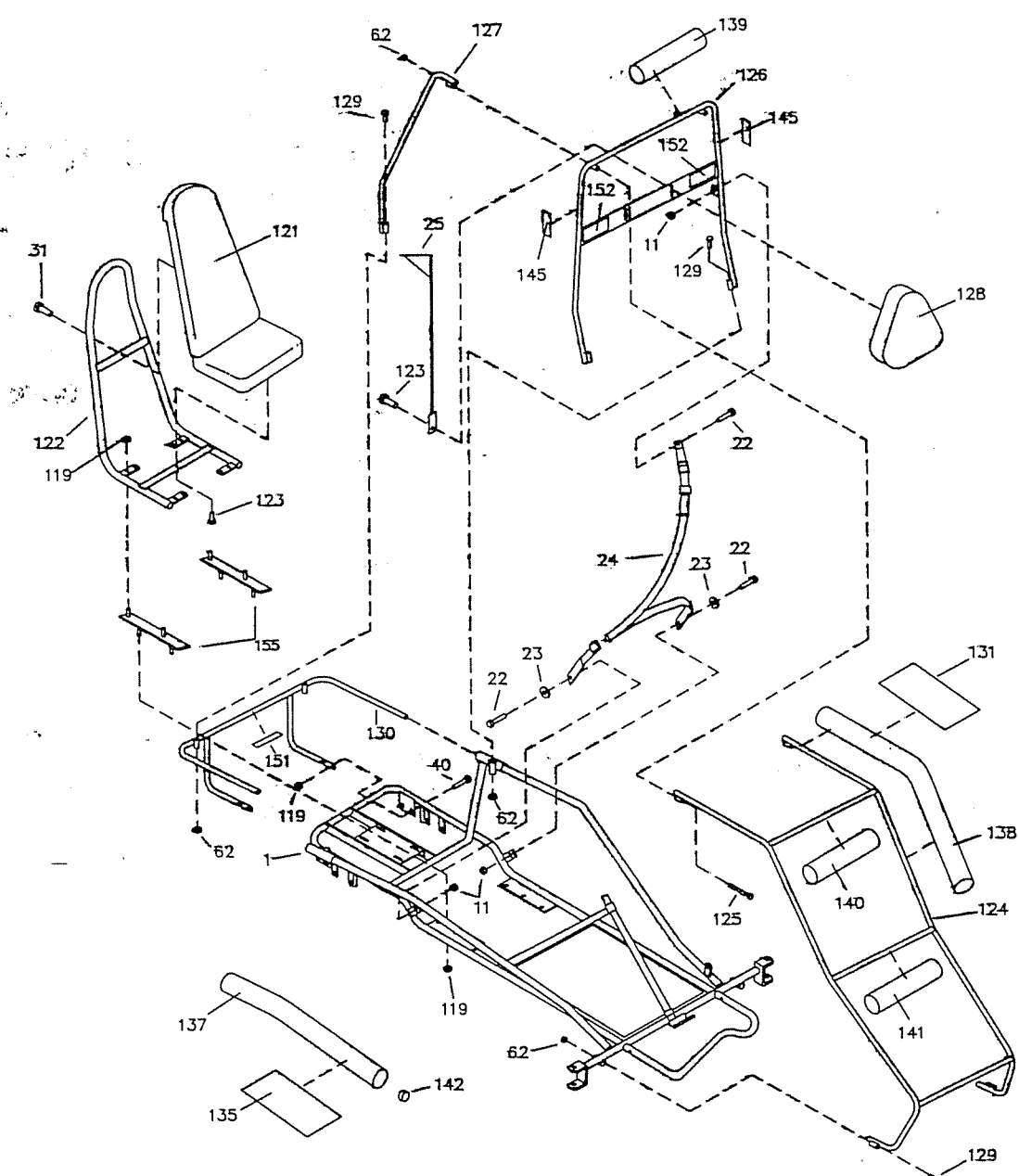
3) Add all needed parts to Shopping Cart | Complete "Checkout" | ✓ Done!

If a part does not come up in a Site Search, please [Contact Us](#) (include part# in email)

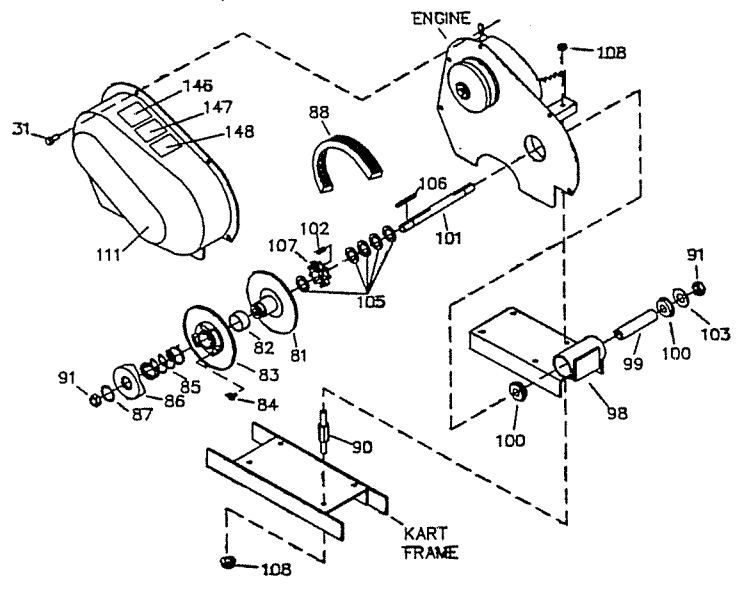
LOWEST PRICES!

BEFORE OPERATING THIS VEHICLE, THE OWNER AND/OR OPERATOR MUST UNDERSTAND THE VEHICLE WAS NOT DESIGNED OR MANUFACTURED TO MEET SPECIFICATIONS FOR USE ON PUBLIC ROADS, STREETS, HIGHWAYS, OR THOROUGHFARES AND HAVE READ AND HAVE AN UNDERSTANDING OF ALL THE INSTRUCTIONS FOR SAFE ASSEMBLY AND OPERATION AS WELL AS THE INSTRUCTIONS GOVERNING THE ENGINE AND OTHER PORTIONS OF THE VEHICLE.

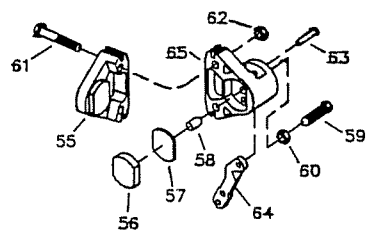




Torque Converter Drive Breakdown



Brake Caliper Breakdown



## REPAIR PARTS

REF. NO.	REF. NO.	DESCRIPTION	REF. NO.	REF. NO.	DESCRIPTION
1	8176-2	Frame, Black	48	9503	Spring, Right Wound
	8176-7	Frame, Green	49	1849	Bolt, 1/4-20 x 1-1/2"
	8176-13	Frame, Orange	50	1389	Bushing, 1/4 ID x 5/16"
<b>ASM</b>	4355	Tie Rod Asm. (incl. 2-6)	51	9110	Bolt, 5/16-18 x 1-1/2"
2	1414	Tie Rod End, RH Thread	52	9091	Washer, 3/8" Flat
3	9092	Nut, 3/8-24 Jam RH	53	1982	Pedal Latch
4	1415	Tie Rod End, LH Thread	54	9599-2	Brake Rod
5	9024	Nut, 3/8-24 Jam LH	<b>ASM</b>	9598	Brake Caliper (incl. 55-65)
6	4352	Tie Rod, Short	<b>ASM</b>	9810	Brake Pad Service Kit (incl. 55-57)
7			55	**	Anvil w/Lining
<b>B</b>	9145	Bolt, 3/8-16 x 1-3/4"	56	**	Brake Lining
9	9146	Bolt, 3/8-16 x 1-1/2"	57	3928	Backing Plate
10	1264	Bolt, 1/2-13 x 3-1/2"	58	3930	Actuator Pin
11	1012	Nut, 1/2-13 Toplock	59	3931	Adjuster Pin
12	1046	Nut, 5/8-11 Toplock	60	3932	Nut, Jam
13	6289PH	Wheel Asm, Rear (incl. 14)	61	9158	Bolt, 3/8-16 x 2-1/4"
14	9607	Tire, 16 X 8 - 7" Knobby	62	9085	Nut, 3/8-16 Toplock
<b>15</b>	<b>9309FP</b>	Wheel Asm, Front (incl. 16-18)	<b>ASM</b>	6534	MB-1 Service Kit (incl. 63-65)
16	4915	Tire, 145/70 x 6" Knobby	63	**	Groove Pin
17	5090	Bearing, 5/8" ID w/ Snap Ring	64	**	Lever
18	5950	Spanner, 5/8" ID x 2-1/8"	65	**	Brake Housing
19	3802	Tube, 6" (Repair Part Only)	66	6038	Steering Wheel
20			<b>ASM</b>	9799	Stop Switch Assembly (incl. 67-69)
21			67		
22	9188	Bolt, 1/2-13 x 1-1/4"	68	8227	Tinnerman Nut
23	9022	Washer, 1/2" Flat	69	8266	Loop Clip
24	8373	Seat Belt, Shoulder/Lap	70	9080	Bolt, 1/4-20 x 2-3/4"
25	8445	Safety Flag	71	9160	Bolt, 1/4-20 x 7/8"
26			72	1406	Wiring Harness
27	9693H	Axle Shaft	73	1463	Bushing, Insulating
<b>ASM</b>	9570H	Sprocket Asm. (incl. 28-31)	74	9661C	Engine, 5hp Tec (445-241)
28	9338	Sprocket, 420P 60T		6010C	Engine, 5hp B&S (445-25)
29	6280H	Sprocket Hub		9737	Engine, 6hp Tec (446-252, -352)
30	6701	Bolt, 5/16-18 x 1"	<b>ASM</b>	5957	Pulley, Driver (incl. 75-80)
31	9006	Bolt, 1/4-20 x 1/2"	75	**	Drum
32	9511H	Brake Disc, 6"	76	**	Hub
33	4913	Spacer, 1" ID x 3"	77	**	Shoe Assembly
34	1448	Spacer, 1" ID x 3-9/16"	78	**	Moveable Sheave
35	2265	Spacer, 1" ID x 3/4"	79	200349	Bushing
36	3941H	Bearing	80	**	Stationary Sheave
37	1760	Bearing Flange	<b>ASM</b>	5958	Pulley, Driven (incl. 81-87)
38	1194	Washer, 3/4" Flat	81	**	Stationary Sheave
39	9162	Nut, 3/4-10 Toplock	82	**	Bushing
40	2264	Bolt, 5/16-18 x 3/4"	83	**	Moveable Sheave
41	6257	Spindle, RH	84	6804	Button, Nylon
<b>NI</b>	6256	Spindle, LH	85	6805	Spring
42	1437	Pedal, Throttle	86	**	Cam
43	9502	Spring, Left Wound	87	2477	Retaining Ring
44	1847	Bolt, 1/4-20 x 1"	88	5959	Belt
45	8252	Cable, Throttle (incl. 46)	89	9060	Washer, 5/16 Flat
46	9058	Nut, 5/16-24 Jam	90	1356	Stud
47	1436	Pedal, Brake	91	1136	Nut, 5/8-16 Toplock

3

ING  
AN  
DRT

117  
48

4

## REPAIR PARTS

REF. NO.	REF. NO.	DESCRIPTION	REF. NO.	REF. NO.	DESCRIPTION
92	5157	Spacer, 5/8 ID x 3/4"	133	5576	Decal, Pan (445-241)
93	9101	Bolt, 5/16-24 x 1/2" Nylock		6596	Decal, Pan (445-25, 446-252)
94	1454	Bolt, 5/16-24 x 1-3/4"		10136	Decal, Pan (446-352)
95	1124	Washer, 5/16" Split Lock	134	K445-241	Axle Guard Repair Kit
96	1398	Washer, 21/64" ID x 1-1/4"	135	5579	Arm Pad Cover (445-241)
97	1938	Spacer, 3/4 ID x 3/8"		9778	Arm Pad Cover (445-25, 446-252)
98	1110	Chassis, Torque Converter		10138	Arm Pad Cover (446-352)
99	1116	Spanner, 5/8 ID x 4-13/16"	136	2388	Nut, 3/8-24
100	5090	Bearing, 5/8 ID	ASM	9798*	Replacement Foam Kit (incl. 137- 141)
101	1118	Jackshaft	137	9759*	Foam, Side Bar, 30"
102	1031	Key, 3/16 sq. x 1/2"	138	9758*	Foam, Front Bar, 43"
103	1469	Washer, 5/8 ID x 1" OD	139	9763*	Foam, Top Center, 16"
104	1937	Spacer, 5/8 ID x 1/4"	140	9764*	Foam, Middle Center, 15"
105	1119	Spacer, 5/8 ID x 1/8"	141	9765*	Foam, Bottom Center, 14"
106	3403	Key, 3/16 sq. x 2"	142	9776	Clamp, Foam Stop 3/4"
107	1125s	Sprocket, #420, 9T	143	9796	Screw, 12-24 x 1/2" Self Tapping
108	1263	Nut, 5/16-18 Whiz Flange	144	1130	Washer, 3/8 Split Lock
109	9515	Chain, #420 x 64P (incl. 110)	145	6540	Decal, Helmet Warning
110	2037	Masterlink, #420	146	1049	Decal, Caution
111	8187	Cover, Torque Converter	147	4912	Decal, Chain Guard Warning
NI	6594	Decal, TAV Cover (445-25, 446-252)	148	9610	Decal, Tire Pressure
	10137	Decal, TAV Cover (446-352)	149	9677	Decal, Warning: Hot Surfaces
112	8188	Cover Plate (incl. 113)	150	9678	Decal, Warning: Engine Exhaust
113	2449	Tinnerman Nut	151	9679	Decal, No Riders Allowed
114	8240	Left Deck Cover Asm	152	8138	Decal, Warning: Entanglement
115	8230	Right Deck Cover	153	8154	Decal, Age Restriction
116	1019	Ty-Wrap	154	5964	Decal, Oil Warning
117	9057	Nut, 1/4-20 Toplock	155	8132	Seat Frame Riser
118	1846	Bolt, 1/4-20 x 3/4"		8142	Seat Slides (optional)
119	1189	Nut, 5/16-18 Toplock	NI	2601	B&S Engine Operator's Manual
120	1854	Washer, #14 Flat		2684D	Tec Engine Operator's Manual
121	4324	Seat Pad (445-241)	NI	4350	Operator's Manual
	6584	Seat Pad (445-25, 446-252)	NI	9212R4	Assembly Instructions
	10133	Seat Pad (446-352)			
122	9973-2	Seat Frame			
123	1876	Bolt, 1/4-20 x 5/8"			
124	9540-2	Front Bar			
125	6452	Bolt, 3/8-16 x 5"			
126	9547-2	Center Bar			
127	9549-2	Rear Upright			
128	5577	Headrest Pad (445-241)			
	6585	Headrest Pad (445-25, 446-252)			
	10132	Headrest Pad (446-352)			
129	2386	Bolt, 3/8-16 x 3-1/2"			
130	9554-2	Rear Bar, Black			
	9554-7	Rear Bar, Green			
	9554-13	Rear Bar, Orange			
131	9799	Top Pad Cover (445-25, 446-252)			
	10139	Top Pad Cover (446-352)			
132	6592	Decal, Strg Wheel (485-25, 486-252)			
	10135	Decal, Strg Wheel (486-352)			

ASM = Assembly

NI = Not Illustrated

\* = Specify Black, Pink, White, or Yellow

\*\* = Not Sold Separately

## ORDERING PARTS

1) Seek Part(s) from your models illustrated diagram, cross over REF# to PART#

2) Type PART# into sites [Search Box] at [GoKartsRus.com](http://GoKartsRus.com) TIP! - RIGHT CLICK LINK, SELECT OPEN IN NEW TAB

3) Add all needed parts to Shopping Cart | Complete "Checkout" |  Done!

If a part does not come up in a Site Search, please [Contact Us](#) (include part# in email)

**FAST & EASY!**

**LOWEST PRICE!**