

Manco Model 445-431 Parts Manual

ORDERING PARTS

FAST & EASY!

LOWEST PRICES!

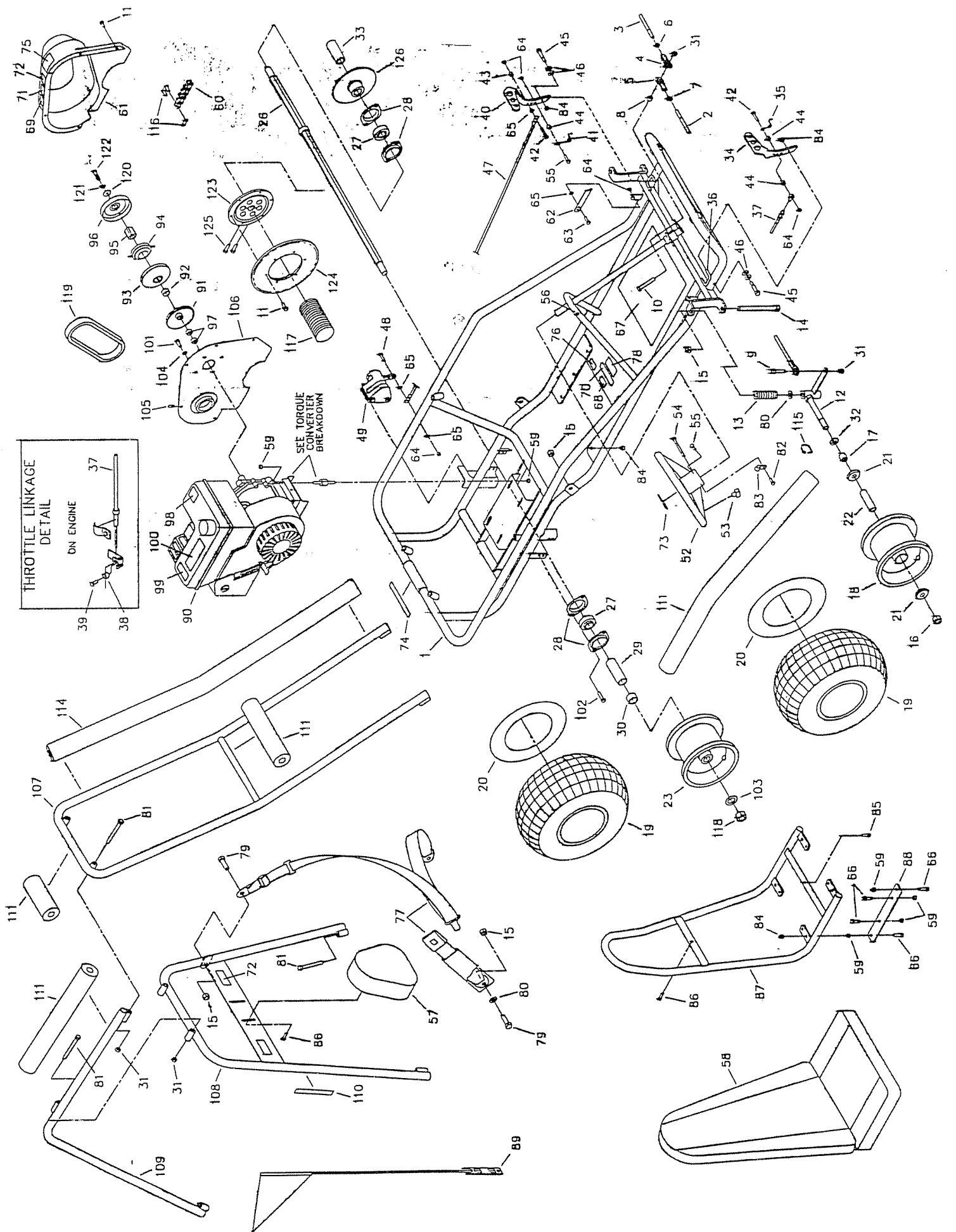
- 1) Seek Part(s) from your models illustrated diagram, cross over REF# to PART#
- 2) Type PART# into sites [Search Box] at GoKartsRus.com TIP! - RIGHT CLICK LINK, SELECT OPEN IN NEW TAB   
- 3) Add all needed parts to Shopping Cart | Complete "Checkout" | ✓ Done!

If a part does not come up in a Site Search, please [Contact Us](#) (include part# in email)

REPAIR PARTS - MODEL 445-431

1	10526-13	FRAME WELDMENT, ORANGE	69	1049	DECAL CAUTION DRIVE COVER
ASM	10897	TIE ROD ASM (INCL 2, 4-7)	70	8164	DECAL NO CHILD UNDER 12 YRS
2	10896	TIE ROD 10.25"	71	4812	DECAL WARNING CHAINGUARD
3	---	---	72	8138	DECAL WARNING ENTANGLEMENT
4	1415	TIE ROD END LH THREAD	73	10153	DECAL STEERING WHEEL
5	1414	TIE ROD END RH THREAD	74	9679	DECAL NO RIDERS ALLOWED
6	9024	NUT, 3/8-24 JAM LH THREAD	75	8895	DECAL TIRE PRESS 10/10
7	9092	NUT, 3/8-24 JAM RH THREAD	76	5027	MANCO SERIAL NUMBER
8	9674	SPACER, 3/8 ID X 3/8 LONG	77	8373	SEAT BELT - SHOULDER/LAP
9	9146	BOLT, 3/8-16 X 1.50	78	8399	DECAL, WARNING SEAT BELT
10	9158	BOLT, 3/8-16 X 2.25	79	9188	BOLT, 1/2-13 X 1.50
11	9006	BOLT, 1/4-20 X .50 HEX FLANGED WHIZ	80	9022	WASHER, 1/2 FLAT
NI	10548	SPINDLE WELDMENT LEFT BLACK	81	2386	BOLT, 3/8-16 X 3.50
12	10549	SPINDLE WELDMENT RIGHT BLACK	NI	8746M	VIDEO TAPE SAFETY MANCO
13	9709	COMPRESSION SPRING	82	5287	BOLT #10-16 X .375 SELF TAPPING
14	5682	BOLT, 1/2-13 X 5.500	83	5288	WIRE CLAMP
15	1012	NUT, 1/2-13 TOPLOCK	84	1189	NUT, 5/16-18 HEX TOPLOCK
16	1046	NUT, 5/8-11 TOPLOCK	85	9189	BOLT, 1/4-20 X .875 HEX FLANGED WHIZ
17	1104	SPACER SPLIT .812OD .625ID 1.000L	86	1876	BOLT 1/4-20 X .625 HEX FLANGED WHIZ
18	10383	WHEEL ASSEMBLY, IDLE (INCL 19-22)	87	9973-2	SEAT FRAME WELDMENT BLACK
19	3801S	TIRE 15/8 X 6" TURF SAVER	88	6983-2	SEAT RISER PLATE, BLACK
20	3802	INNER TUBE 6"	89	8445	FLAG SAFETY W/ BRKT 3FT
21	5090	BEARING, 5/8" I.D.	90	9661C	ENGINE 5HP TEC OHV
22	5950	SPANNER, 5/8" LD. X 2-1/8"	ASM	5957	DRIVER PULLEY ASSEMBLY 30S (INCL 91-96)
23	10382	WHEEL ASM, 15/8 X 6 TURF SAVER, HEX	91	---	STATIONARY SHEAVE
24	---	---	92	200349	BUSHING
25	---	---	93	---	MOVEABLE SHEAVE
26	9693H	AXLE WELDMENT HEX 33.50"	94	---	SHOE ASSEMBLY
27	3941H	BEARING, SEALED SPHERICAL 7/8 HEX	95	---	HUB
28	1760	BEARING FLANGE	96	---	DRUM
29	1448	SPACER, 1" LD. X 3-9/16"	97	1938	SPACER, 3/4" I.D. X 3/8" LONG
30	2265	SPACER, 1" LD. X 3/4"	98	5964	DECAL, SHIPPED W/O OIL
31	9085	NUT, 3/8-16 TOPLOCK HEX	99	9677	DECAL, WARNING HOT SURFACES
32	1119	SPACER .625ID 1.062OD .125THK Z	100	9678	DECAL, ENGINE EXHAUST
33	4913	SPACER, 1" I.D. X 3"	101	9101	BOLT, 5/16-24 X .500 W/ NYLOK
34	6309	PEDAL, THROTTLE TRIMMED	102	2264	BOLT, 5/16-18 X 3/4" LONG
35	9503	SPRING, PEDAL RIGHT WOUND	103	1194	WASHER, 3/4" SAE FLAT
36	9929	RUBBER CAP .25ID X .25 BLACK	104	9060	WASHER, 5/16 FLAT
37	8252	THROTTLE CABLE 61 INCH	105	8227	NUT, 1/4-20 TINNERMAN
38	2748	CABLE STOP NUT	106	8188	PLATE, COVER 4XX TC BLACK
39	2666	SWIVEL SCREW	107	10536	OVERHEAD BAR WELDMENT SGL BLACK
40	6293	PEDAL, BRAKE TRIMMED	108	10543	CENTER BAR WELDMENT SGL BLACK
41	9502	SPRING, PEDAL LEFT WOUND	109	10541	REAR BAR WELDMENT BLACK
42	1848	BOLT, 1/4-20 X 1.25"	110	6540	DECAL, WARNING WEAR A HELMET
43	6349	BUSHING, 5/16 OD X 22G	111	10915	FOAM PACK, SINGLE ORANGE
44	1389	BUSHING, 1/4 ID X .313	112	---	---
45	4447	BOLT, 3/8 X 1-1/8 SHOULDER	113	---	---
46	9091	WASHER, FLAT 3/8 SAE N	114	9758A	FOAM, 43-INCH ORANGE
47	9599-2	BRAKE ROD BLACK	115	10493	PLASTIC HOSE CLAMP 1"
48	1847	BOLT, 1/4-20 X 1"	116	2037	MASTERLINK 420 CHAIN
49	9598	BRAKE CALIPER ASSEMBLY	117	K485	AXLE GUARD KIT
50	---	---	118	9162	NUT, 3/4" TOPLOCK HEX
51	---	---	119	5959	DRIVE BELT
52	6038	STEERING WHEEL	120	1398	WASHER, 21/64 ID X 1 1/4 X 1/8
53	9799	STOP SWITCH WIRE ASM	121	1124	WASHER, 5/16" SPLITLOCK
NI	1406	STOP SWITCH WIRE EXTENSION	122	8204	BOLT, 5/16-24 X 2-1/4"
54	9080	BOLT, 1/4-20 X 2.750	123	6280H	SPROCKET HUB HEX
55	9160	BOLT, 1/4-20 X .875	124	6282	SPROCKET, 420 X 54 TEETH
56	9796	BOLT, #12-24 X .500 SELF TAPPING	125	6701	BOLT 5/16-18 X 1.250 SHCS
57	6320	HEADREST, SINGLE NO LOGO	126	9511H	BRAKE DISK
58	4324	SEAT BACK/BOTTOM PLAIN	NI	1019	CABLE TIE
59	1263	NUT 5/16-18 HEX FLANGED WHIZ	NI	4350	OPERATOR'S MANUAL
60	1524	CHAIN, 420 X 60 LINKS INCL. MASTERLINK			
61	8187	DRIVE COVER, TC/LA			
62	1982	PEDAL LATCH, BLACK			
63	1846	BOLT, 1/4-20 X .750			
64	9057	NUT, 1/4-20 TOPLOCK			
65	1854	WASHER, #14 FLAT MS Z			
66	9176	BOLT, 5/16-18 X 1.0			
67	10149	DECAL FLOOR PAN			
68	8381	DECAL MADE IN AMERICA			

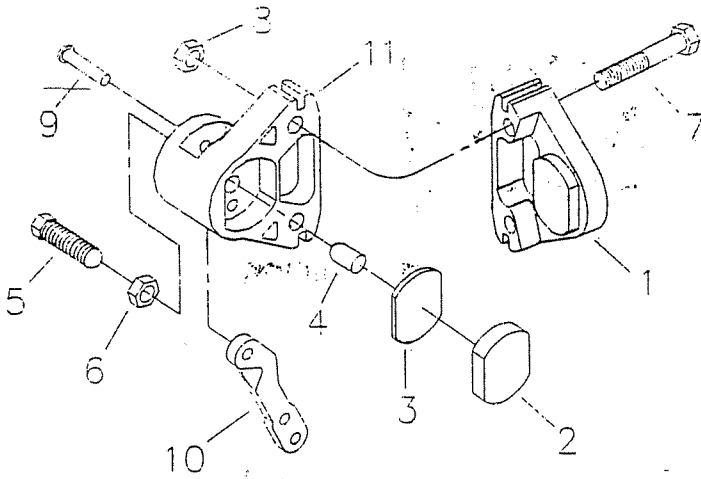
ASM = ASSEMBLY
NI = NOT ILLUSTRATED



THROTTLE LINKAGE
DETAIL
ON ENGINE

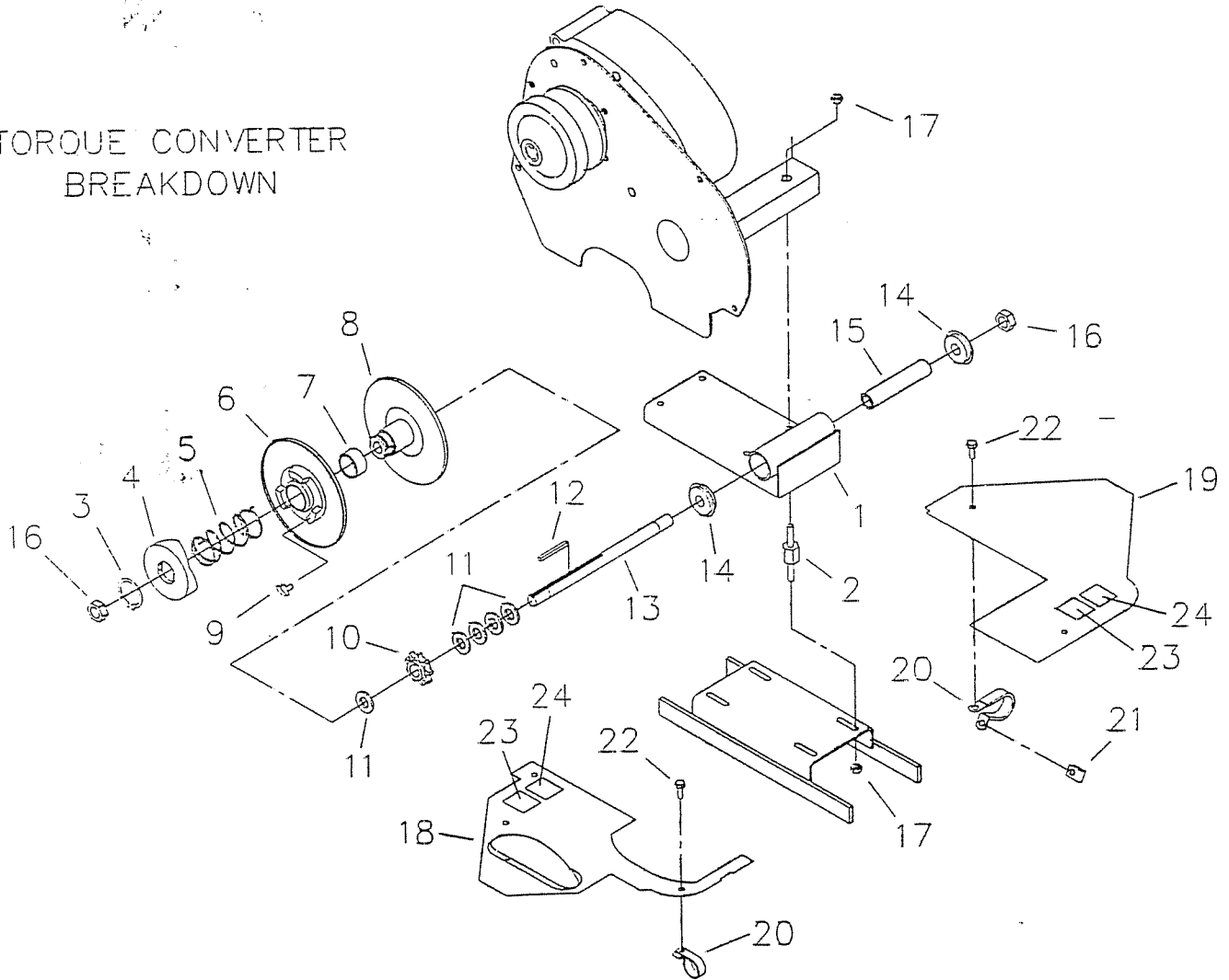
SEE TORQUE
CONVERTER
BREAKDOWN

BRAKE CALIPER BREAKDOWN



REF	PART #	DESCRIPTION
ASM	8598	BRAKE CALIPER ASSEMBLY (INCL. 1-11)
ASM	9810	BRAKE PAD SERVICE KIT (INCL. 1-3)
1	—	ANVIL WITH LINING
2	—	BRAKE LINING
3	3928	BACKING PLATE
4	3930	ACTUATOR PIN
5	3931	ADJUSTOR PIN
6	3932	NUT, JAM
7	9158	BOLT, 3/8-16 X 2-1/4"
8	9085	NUT, 3/8-16 TOPLOCK HEX
ASM	6534	MB-1 SERVICE KIT (INCL. 9-11)
9	—	GROOVE PIN
10	—	LEVER
11	—	BRAKE HOUSING

TORQUE CONVERTER BREAKDOWN



REF	PART #	DESCRIPTION
1	1110	CHASSIS WELDMENT, BLACK
2	1356	STUD ASSEMBLY
3	2477	RETAINING RING
4	—	CAM
5	6805	SPRING
6	—	MOVEABLE SHEAVE
7	—	BUSHING
8	—	STATIONARY SHEAVE
9	6804	BUTTON, NYLON
10	8720	SPROCKET, 9-TEETH INT. KEY
11	1119	SPACER, 5/8" I.D. X 1/8"
12	3403	KEY, 3/16" SQ. X 2"

REF	PART #	DESCRIPTION
13	1118	JACKSHAFT, 5/8" X 10.00
14	5090	BEARING, 5/8" I.D.
15	1116	SPANNER, 5/8" I.D. X 4-13/16"
16	1136	NUT, 5/8-18 CENTERLOCK HEX JAM
17	1263	NUT, 5/16-18 FLANGED WHIZ
18	8240	LEFT DECK COVER ASSEMBLY
19	8230	RIGHT DECK COVER
20	8266	LOOP CLIP
21	8227	NUT, 1/4-20 TINNEMAN
22	1876	BOLT, 1/4-20 X 5/8" HEX FLANGED WHIZ
23	1049	DECAL, CAUTION DRIVE COVER
24	4912	DECAL, WARNING CHAINGUARD