

# Operator's Manual SUPPLEMENT

MANCO MODEL NO.  
475-311

**WARNING:**  
Read Engine  
Owner's Manual,  
Vehicle Operator's  
Manual, and  
Supplement  
Carefully Before  
Operating  
Vehicle.

Parts List



## ORDERING PARTS

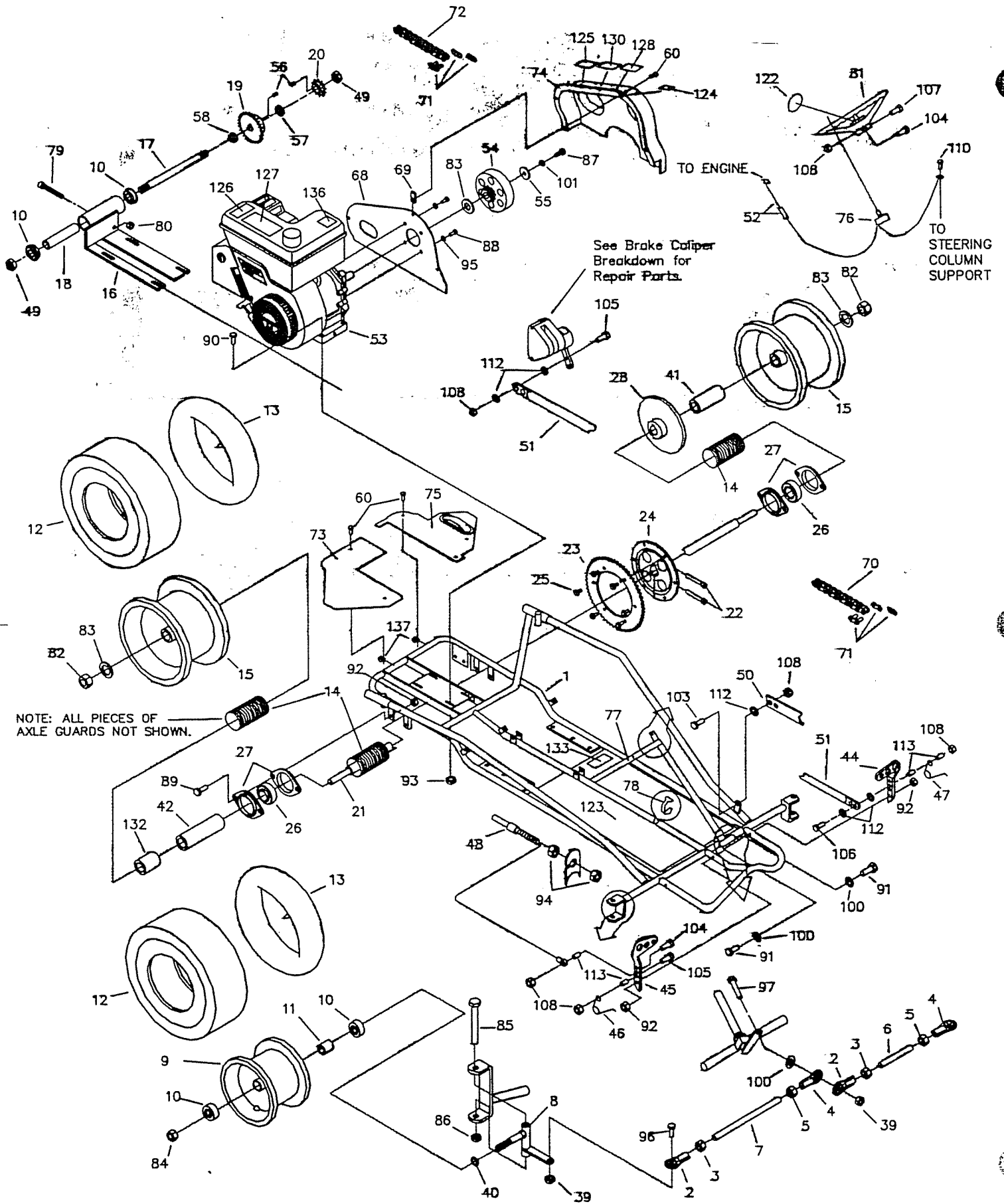
FAST & EASY!

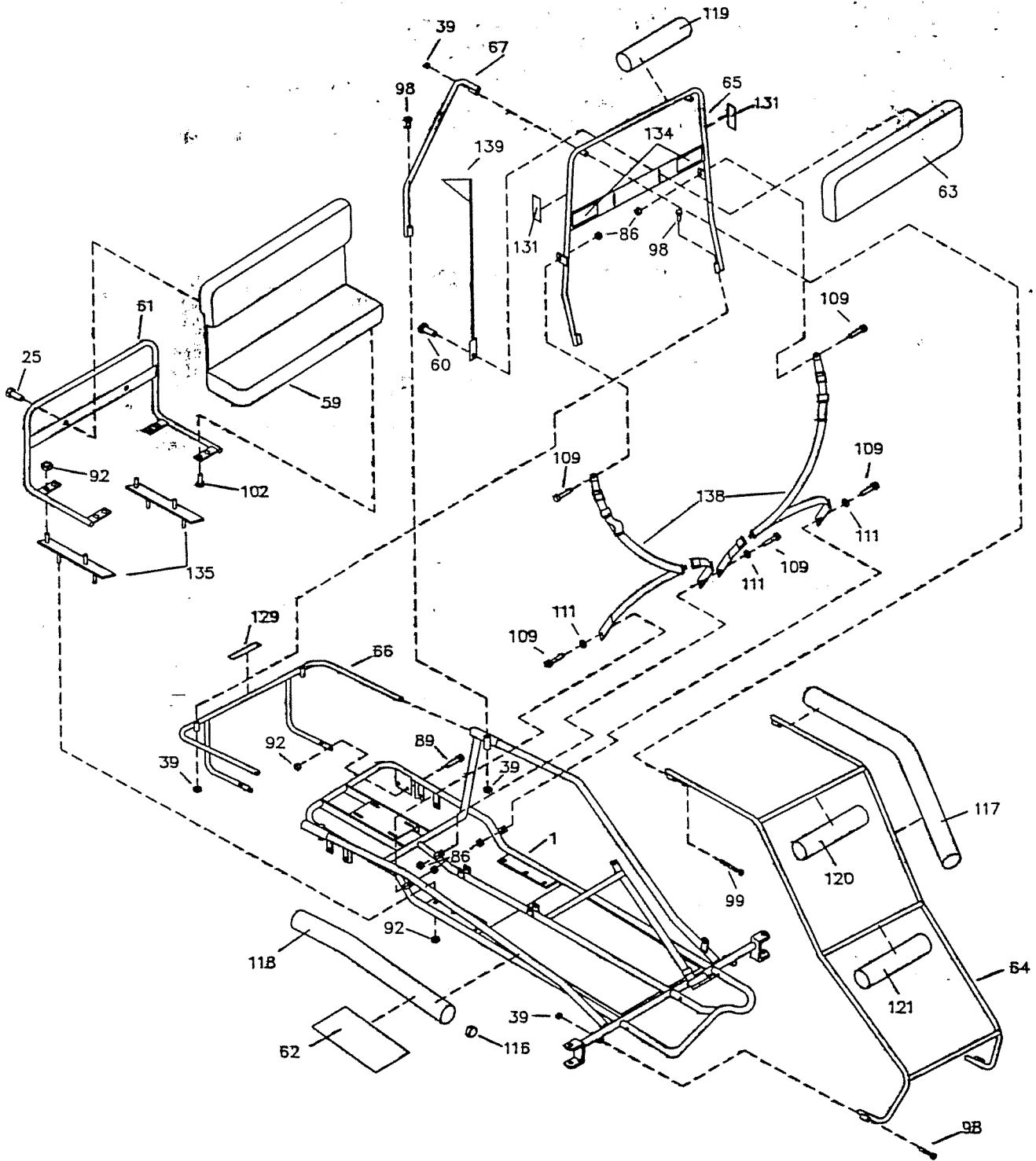
- 1) Seek Part(s) from your models illustrated diagram, cross over REF# to PART#
- 2) Type PART# into sites [Search Box] at [GoKartsRus.com](http://GoKartsRus.com) TIP! - RIGHT CLICK LINK, SELECT OPEN IN NEW TAB
- 3) Add all needed parts to Shopping Cart | Complete "Checkout" | ✓ Done!

If a part does not come up in a Site Search, please [Contact Us](#) (include part# in email)

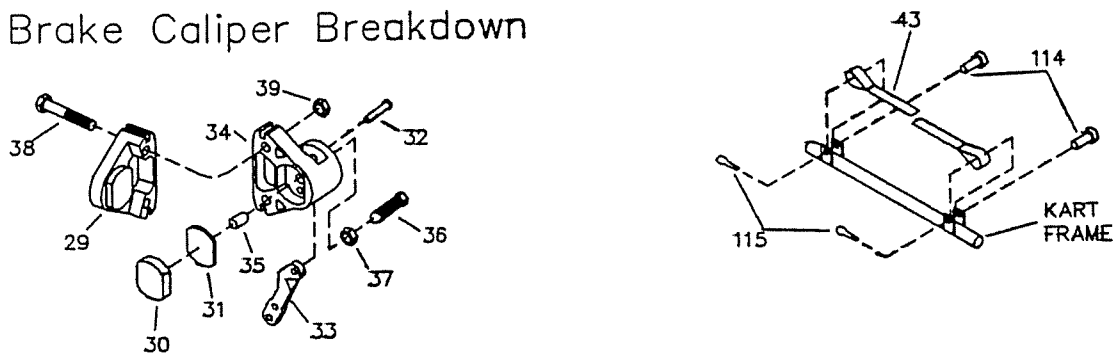
LOWEST PRICES!

BEFORE OPERATING THIS VEHICLE, THE OWNER AND/OR OPERATOR MUST UNDERSTAND THE VEHICLE WAS NOT DESIGNED OR MANUFACTURED TO MEET SPECIFICATIONS FOR USE ON PUBLIC ROADS, STREETS, HIGHWAYS, OR THOROUGHFARES AND HAVE READ AND HAVE AN UNDERSTANDING OF ALL THE INSTRUCTIONS FOR SAFE ASSEMBLY AND OPERATION AS WELL AS THE INSTRUCTIONS GOVERNING THE ENGINE AND OTHER PORTIONS OF THE VEHICLE.





Brake Caliper Breakdown



REPAIR PARTS 475-311

REF. NO.	PART NO.	DESCRIPTION	REF. NO.	PART NO.	DESCRIPTION
	8175-2	Frame	50	1982	Pedal Latch
ASM	4358	Tie Rod Asm. Short (incl. 2-6)	51	9599-2	Brake Rod
ASM	9322	Tie Rod Asm. Long (incl. 2-5, 7)	52	1406	Wiring Harness
2	1414	Tie Rod End, RH Thread	53	9661C	Engine, 5.5hp
3	9092	Nut, 3/8-24 Jam RH	54	4195C	Clutch
4	1415	Tie Rod End, LH Thread	55	1398	Washer, 21/64 ID x 1-1/4"
5	9024	Nut, 3/8-24 Jam LH	56	1031	Key, 3/16 sq x 1/2"
6	4356	Tie Rod, Short	57	1119	Spacer, 5/8 ID x 1/8"
7	9321	Tie Rod, Long	58	1937	Spacer, 5/8 ID x 1/4"
NI	6256-2	Spindle, Left	59	8134	Seat Pad, Back/Bottom
B	6257-2	Spindle, Right	60	1876	Bolt, 1/4-20 x 5/8" Whiz Flange
9	9309FP	Wheel Asm, Front (incl. 10-13)	61	9968-2	Seat Frame
10	5090	Bearing, 5/8" ID w/ Snap Ring	62	9800	Arm Pad Cover
11	5950	Spanner, 5/8" ID x 2-1/8"	63	6217	Headrest Pad
12	4915	Tire, 145/70 x 6 Knobby	64	9539-2	Front Bar
13	3802	Tube, 6" (Repair Part Only)	65	9546-2	Center Bar
14	K475-311	Axle Guard Repair Kit	66	9553-2	Rear Bar
15	8749	Wheel Asm, Rear (incl. 18-20)	67	9549-2	Rear Upright Bar
16	6558-2	Speed Reducer Chassis	68	8682	Cover Plate
17	6563	Jackshaft	69	2449	Nut, Tinnerman
18	6568	Spanner	70	9514	Chain, #420 x 62 Pitch (Incl 71)
19	8761	Sprocket, 420P x 15T	71	2037	Master Link, #420
20	1125s	Sprocket, 420P x 9T	72	9724	Chain, #420 x 42 Pitch (Incl 71)
21	9323H	Axle Shaft	73	8230	Right Deck Cover
ASM	6420H	Sprocket Asm, (incl. 22-25)	74	8690	Drive Cover
22	6701	Bolt, 5/16-18 x 1" Socket Head	75	8981	Left Deck Cover Asm
23	6282	Sprocket, 420P x 54T	76	9799	Stop Switch Assembly
24	6280H	Hub, Sprocket	77	1463	Bushing, Insulating
25	9006	Bolt, 1/4-20 x 1/2" Whiz Flange	78	1019	Ty-Wrap
26	3941H	Bearing, 1" ID	79	2385	Bolt, 3/8-16 x 4"
27	1760	Bearing Flange	80	1128	Nut, 3/8-16
28	9511H	Brake Disk	81	6038	Steering Wheel
ASM	9598	Brake Caliper (incl. 29-39)	82	9162	Nut, 3/4-10 Toplock
ASM	9810	Brake Pad Service Kit (incl. 29-31)	83	1194	Washer, 3/4" Flat
ASM	6534	MB-1 Service Kit (incl. 32-34)	84	1046	Nut, 5/8-11 Toplock
29	*	Anvil with Brake Lining	85	1264	Bolt, 1/2-13 x 3-1/2"
30	*	Brake Lining	86	1012	Nut, 1/2-13 Toplock
31	*	Backing Plate	87	1491	Bolt, 5/16-24 X 3/4"
32	*	Groove Pin	88	9101	Bolt, 5/16-18 x 1/2"
33	*	Lever	89	2264	Bolt, 5/16-18 x 3/4"
34	*	Housing	90	9186	Bolt, 5/16-18 x 1-1/2"
35	3930	Actuator Pin	91	9110	Bolt, 5/16-18 x 1-1/2", 7/8" Shoulder
36	3931	Adjuster Screw	92	1189	Nut, 5/16-18 Toplock
37	3932	Jam Nut	93	1263	Nut, 5/16-18 Whiz Flange
38	9158	Bolt, 3/8-16 x 2-1/4"	94	9058	Nut, 5/16-24 Jam
39	9085	Nut, 3/8-16 Toplock	95	9060	Washer, 5/16 Flat
40	5157	Spacer, 5/8" ID x 3/4"	96	9146	Bolt, 3/8-16 x 1-1/2"
41	4913	Spacer, 1" ID x 3"	97	9145	Bolt, 3/8-16 x 1-3/4"
42	1448	Spacer, 1" ID x 3-9/16"	98	2386	Bolt, 3/8-16 x 3-1/2"
43	4372	Handhold Strap	99	6452	Bolt, 3/8-16 x 5"
44	1436	Brake Pedal	100	9091	Washer, 3/8 Flat
45	1437	Throttle Pedal	101	1124	Washer, 3/8 Split Lock
46	9502	Spring, Left Wound	102	9189	Bolt, 1/4-20 x 7/8" Whiz Flange
47	9503	Spring, Right Wound	103	1846	Bolt, 1/4-20 x 3/4"
48	8251	Throttle Cable	104	9160	Bolt, 1/4-20 x 7/8" w/ Nylock
49	1136	Nut, 5/8-11 Jam	105	1847	Bolt, 1/4-20 x 1"
			106	1849	Bolt, 1/4-20 x 1-1/2"

REPAIR PARTS 475-311

REF. NO.	PART NO.	DESCRIPTION	REF. NO.	PART NO.	DESCRIPTION
107	9080	Bolt, 1/4-20 x 2-3/4"	128	4912	Decal, Warning Chain Guard
108	9057	Nut, 1/4-20 Toplock	129	9679	Decal, Warning No Riders Allowed
109	9188	Bolt, 1/2-13 x 1-1/4"	130	1049	Decal, Caution Drive Cover
110	9796	Bolt, 12-24 x 1/2" Self Tapping	131	6540	Decal, Helmet Warning
111	9022	Washer, 1/2 Flat	132	2265	Spacer, 1"ID x 3/4"
112	1854	Washer, No. 14 Flat	133	8154	Decal, Age Restriction
113	1389	Bushing, 1/4" ID x 5/16"	134	8138	Decal, Warning: Entanglement
114	9118	Clevis Pin	135	8132	Seat Frame Riser
115	9116	Cotter Pin	136	5964	Decal, Warning Kart Shipped w/o Oil
116	9776	Clamp, 3/4" ID	137	8266	Loop Clip
ASM	9798**	Foam Replacement Kit (incl. 117-121)	NI	8227	Tinnerman (used on PN 8266)
117	9758**	Foam, 43"	138	8373	Seat belt, Shoulder/Lap
118	9759**	Foam, 30"	139	8445	Safety Flag
119	9760**	Foam, 22"	NI	2684E	Engine Owner's Manual 475-112
120	9761**	Foam, 21"	NI	4350	Vehicle Operator's Manual
121	9762**	Foam, 20"	NI	9212r4	Vehicle Assembly Instructions
122	3296	Decal, Steering Wheel Center			
123	4341	Decal, Floor Pan			
124	6791	Decal, Oil Clutch Here			
125	9373	Decal, Tire Pressure			
126	9677	Decal, Warning Hot Surfaces			
127	9678	Decal, Warning Engine Exhaust			

ASM = Assembly  
 NI = Not Illustrated.  
 \* = Not Available Separately.  
 \*\* = Specify Black, Pink, White, Yellow.

## ORDERING PARTS

FAST & EASY!

LOWEST PRICES!

- 1) Seek Part(s) from your models illustrated diagram, cross over REF# to PART#
- 2) Type PART# into sites [Search Box] at [GoKartsRus.com](http://GoKartsRus.com) TIP! - RIGHT CLICK LINK, SELECT OPEN IN NEW TAB
- 3) Add all needed parts to Shopping Cart | Complete "Checkout" | ✓ Done!

If a part does not come up in a Site Search, please [Contact Us](#) (include part# in email)