

Operator's Manual SUPPLEMENT

MANCO MODELS NOS.

475

435



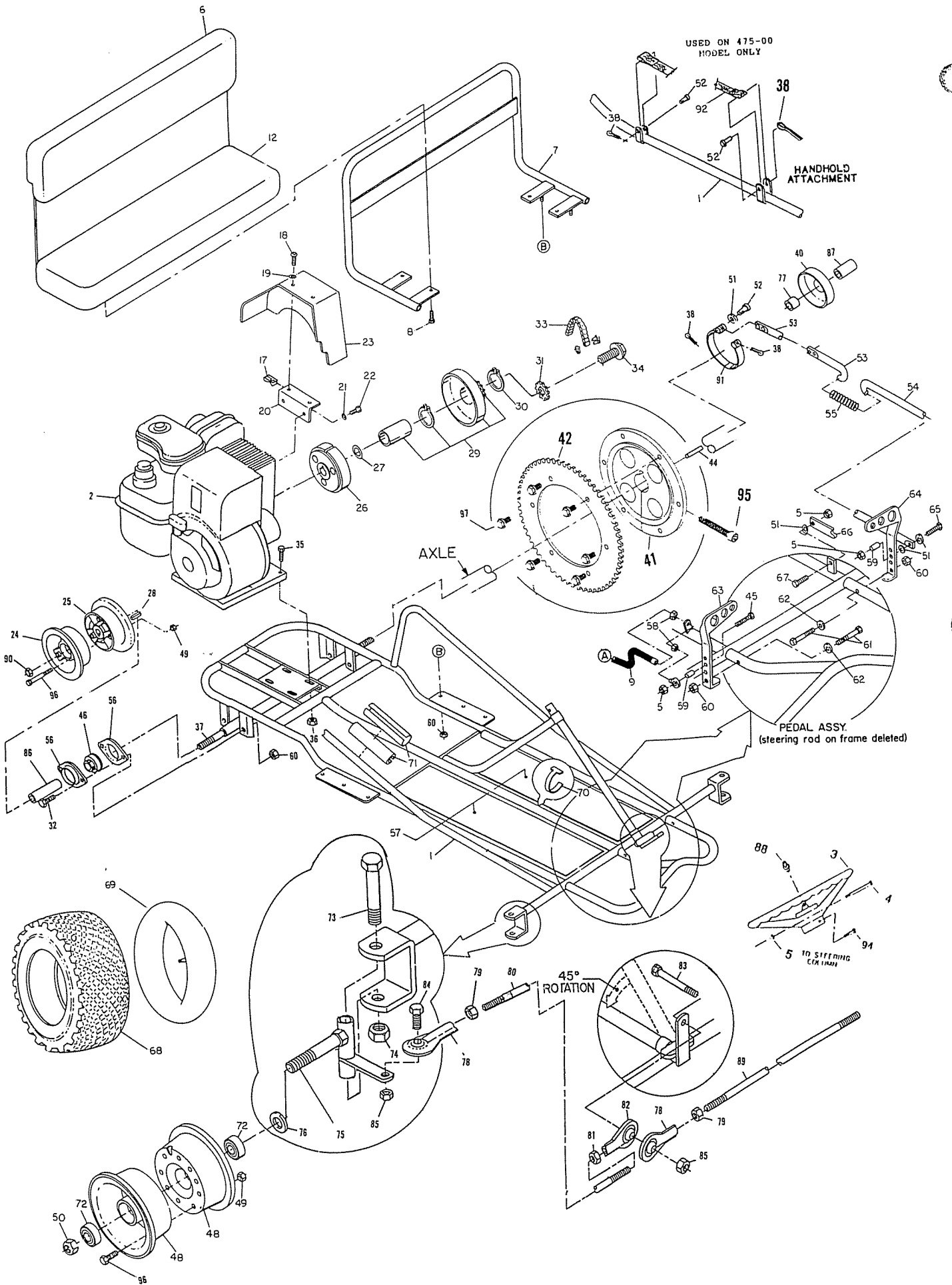
ORDERING PARTS

FAST & EASY!

- 1) Seek Part(s) from your models illustrated diagram, cross over REF# to PART#
- 2) Type PART# into sites [Search Box] at GoKartsRus.com TIP! - RIGHT CLICK LINK, SELECT OPEN IN NEW TAB
- 3) Add all needed parts to Shopping Cart | Complete "Checkout" | ✓ Done!

If a part does not come up in a Site Search, please [Contact Us](#) (include part# in email)

LOWEST PRICE!



REPAIR PARTS

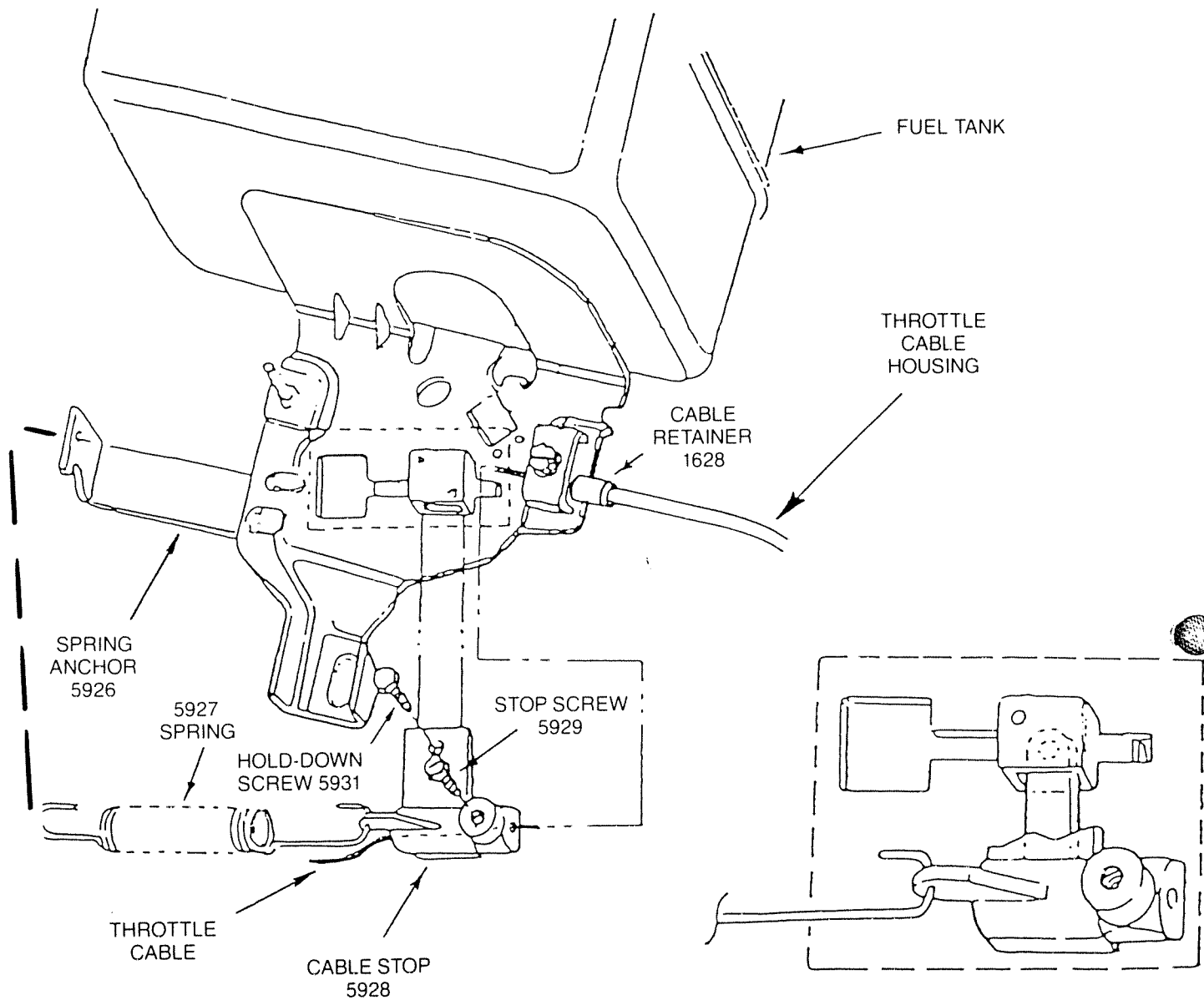
Model 475-00/435-00

NOTE: This repair parts list supplies part numbers for models 475 and 435. Most components are the same for both models. However, part numbers followed with one asterisk (*) are for Model 475-00 only; part numbers followed with two asterisks(**) are for Model 435-00 only.

REF. NO.	PART NO.	DESCRIPTION	REF. NO.	PART NO.	DESCRIPTION
1	4884-2*	Frame (475-00) Shown	63	8011	Throttle Pedal
1	6273-2**	Frame (435-00) Not Shown	64	8009	Brake Pedal
2	6010	Engine 5 HP	65	1848	¼-20 x 1¼ Hex Cap Screw
3	6038	Steering Wheel	66	1982	Pedal Latch
4	9080	¼-20 x 2¾ Hex Cap Screw	67	1845	¼-20 x ⅝ Hex Cap Screw
5	9057	¼-20 Hex Toplock Nut	68	2244	Tire, 4.10-3.50 x 4 (Front)
6	4328*	Seat Back (475-00) Shown	69	1053	Innertube, 4.10-3.50 x 4 (Front)
6	4324**	Single Seat (435-00) Not Shown	70	1019	Tywrap
7	3325-2*	Seat Frame (475-00) Shown	71	6126	Arm Pad
7	3347-2**	Seat Frame (435-00) Not Shown	72	1093	Bearing
8	1876	¼-20 x ⅝ Hex Fl. Whizlock Screw	73	1264	½-13 x 3½ Hex Cap Screw
9	1496*	Throttle Cable (475-00)	74	1012	½-13 Hex Toplock Nut
9	1390**	Throttle Cable (435-00)	75	8020	Spindle
12	4327*	Seat Bottom/Flap (475-00)	76	1937	Spacer, ⅝ ID x ¼ Lg.
17	5135	#10-24 Tinnerman Nut	77	4914	Spacer, 1.0 ID x ⅝ Lg.
18	6046	#10-24 x ½ Hex Machine Screw	78	1415	Rod End, LH
19	6039	#10 Internal Lock Washer	79	9024	⅜-24 LH Hex Jam Nut
20	3363-2	Chainguard Bracket	80	5003*	Tie Rod (Long) (475-00)
21	9030	⅝ Internal Lock Washer	80	4352**	Tie Rod (Qty. 2) (435-00)
22	9101	⅝-24 x ½ Nylock Hex Cap Screw	81	9092	⅜-24 RH Hex Jam Nut
23	4294	Chainguard	82	1414	Rod End RH
24	5128	Wheel Half — 5", ¾ Bore	83	9158	⅜-16 x 2¼ Hex Cap Screw
25	5127	Wheel Half — 5", 1" Bore	84	9146	⅜-16 x 1½ Hex Cap Screw
26	4496	Clutch Center	85	9085	⅜-16 Toplock Hex Nut
27	3146	Fiber Washer	86	4659*	Spacer, 1.0 ID x ¾ (475-00)
28	6123	Key, ¼ x ¼ x 1¾	86	4913**	Spacer, 1.0 ID x 3 (435-00)
29	4491	Drum With Sprocket	87	4913*	Spacer, 1.0 ID x 3 (475-00)
30	3141	Shaft Snap Ring	87	4660**	Spacer, 1.0 ID x 4⅞ (435-00)
31	9001	⅜ Int./Ext. Lock Washer	88	1392	Stop Switch
32	2264	⅝-18 x ¾ Hex Cap Screw	89	4356*	Tie Rod (475-00)
33	2079	Chain — #35 x 76 Pitch W/Masterlink	90	9052	¾-16 Hex Toplock Nut
34	1491	⅝-24 x ¾ Hex Cap Screw	91	1492	Brake Band
35	1122	⅝-18 x 1½ Hex Cap Screw	92	4372*	Hand Hold
36	1263	⅝-18 Hex Fl. Whizlock Nut	94	9160	¼-20 x ⅝ Hex Cap Screw W/Nylok
37	1387*	Axle Shaft (475-00)	95	6701	⅝-18 x 1 Shcs.
37	6274**	Axle Shaft (435-00)	96	5839	¼-20 x ¾ Hex Flanged Whiz
38	9116	⅜ Dia. x ¾ Lg. Cotter Pin	97	9006	¼-20 x ½ Hex Flanged Whiz
40	1078	Brake Drum	ASM	2493	Wheel Assembly, 5" Knobby Rear
41	6280	Sprocket Hub	ASM	2497	Wheel Assembly, 4" Knobby Front
42	1420	Sprocket 35A60	ASM	4335	Clutch ¾ Shaft
44	1775	Key — ¼ x ¼ x ¼	ASM	4358*	Tie Rod LH (Short) (475-00)
45	1846	¼-20 x ¾ Hex Cap Screw	ASM	4359*	Tie Rod RH (Long) (475-00)
46	3941	Bearing 1.0 ID	ASM	4355**	Tie Rod (435-00)
48	5158	Wheel Half — 4"	NI	1628	Cable Retainer (See Back)
49	1186	¼-20 Hex Whizlock Nut	NI	2246	Tire, 4.10-3.50 x 5 (Rear)
50	1046	⅝-11 Hex Lock Nut	NI	1753	Innertube, 4.10-3.50 x 5 (Rear)
51	1854	¼ Std. Flat Washer	NI	8021	Spindle
52	9118	¼ Dia x 1¼ Lg. Clevis Pin	NI	1394	Stop Switch Wire
53	4944-2	Brake Rod Rear	NI	1406	Wiring Harness
54	2377	Brake Rod Front	NI	5949	Spanner ⅝ ID x 1⅜ (Wh. Asm.)
55	5681	Compression Spring	NI	PX2970**	1.0 ID Flat Washer (Qty 2) (435-00)
56	1760	Bearing Flange	NI	1393	Ring Terminal
57	4341*	Decal (475-00)	NI	1463	Insulating Bushing
57	4342**	Decal (435-00)			
58	9058	⅝-24 Hex Jam Nut			
59	1389	Bushing			
60	1189	⅝-18 Hex Lock Nut			
61	9110	⅝ Shoulder Bolt			
62	9091	⅝ Std. Flat Washer			

NI = Not Illustrated
ASM = Complete Assembly
* Model 475-00 Only
** Model 435-00 Only

THROTTLE CABLE INSTALLATION



ASSEMBLY: Pass the throttle cable through the cable retainer and butt the throttle cable housing end against the inside shoulder of the cable retainer. (The cable retainer is to be securely fastened to the engine with the clamping screw.) Pass the end of the Throttle Cable through the hole in the cable stop. Before tightening cable stop screw:

1. Ensure spring anchor, spring, and cable are installed as illustrated above.
2. Ensure throttle pedal is in rearward (idle) position.
3. Ensure that there is no slack in the throttle cable with *no* tension applied to return spring.
4. Ensure cable housing is inside and against the cable retainer.