

Operator's Manual SUPPLEMENT

MANCO MODEL NO.

485-15

485-16

WARNING:
Read Engine
Owner's Manual,
Vehicle Operator's
Manual, and
Supplement
Carefully Before
Operating
Vehicle.

Parts List



ORDERING PARTS

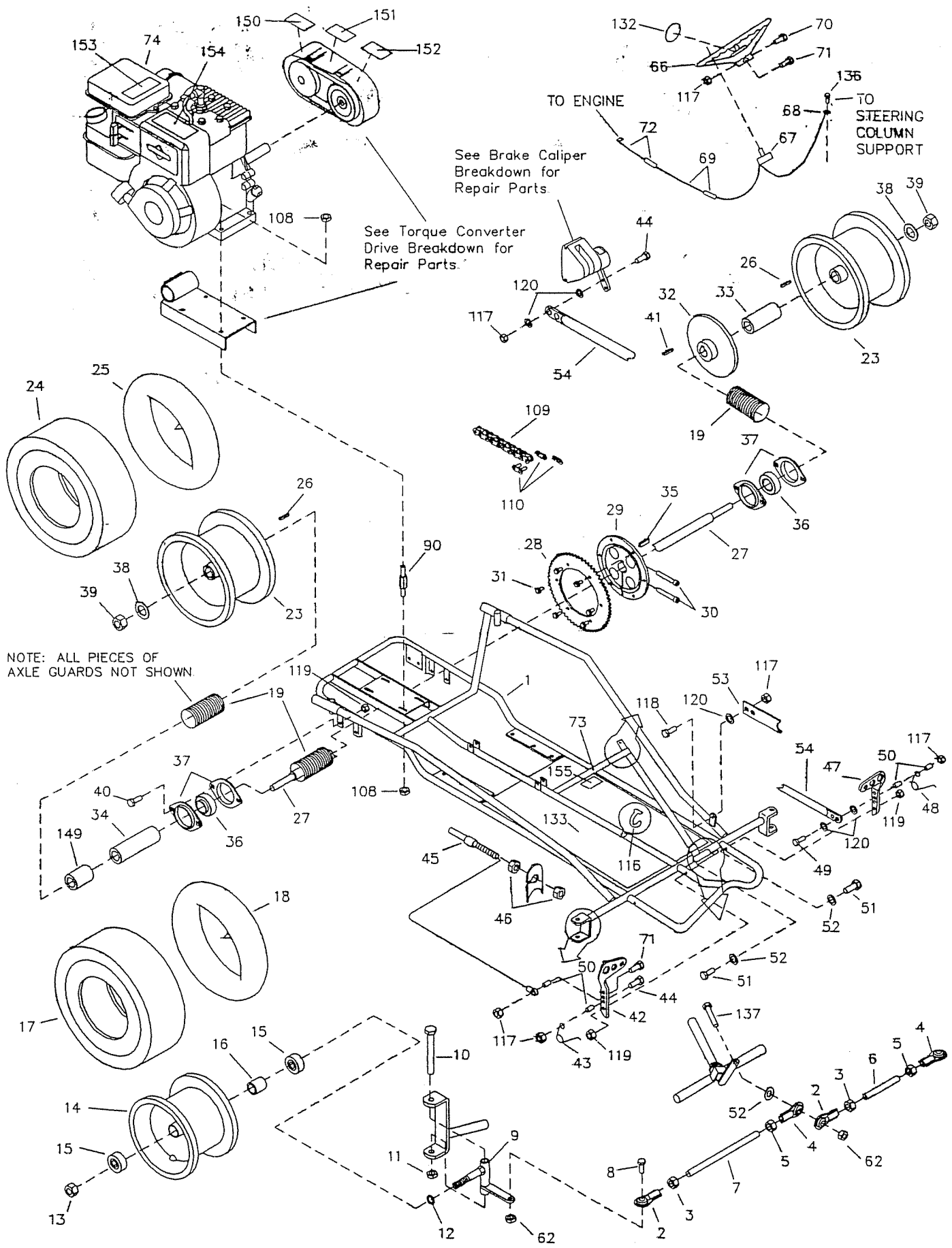
FAST & EASY!

- 1) Seek Part(s) from your models illustrated diagram, cross over REF# to PART#
- 2) Type PART# into sites [Search Box] at GoKartsRus.com TIP! - RIGHT CLICK LINK, SELECT OPEN IN NEW TAB
- 3) Add all needed parts to Shopping Cart | Complete "Checkout" | ✓ Done!

If a part does not come up in a Site Search, please [Contact Us](#) (include part# in email)

LOWEST PRICES!

BEFORE OPERATING THIS VEHICLE, THE OWNER AND/OR OPERATOR MUST UNDERSTAND THE VEHICLE WAS NOT DESIGNED OR MANUFACTURED TO MEET SPECIFICATIONS FOR USE ON PUBLIC ROADS, STREETS, HIGHWAYS, OR THOROUGHFARES AND HAVE READ AND HAVE AN UNDERSTANDING OF ALL THE INSTRUCTIONS FOR SAFE ASSEMBLY AND OPERATION AS WELL AS THE INSTRUCTIONS GOVERNING THE ENGINE AND OTHER PORTIONS OF THE VEHICLE.



REPAIR PARTS - MODEL 485-15/-16

REF NO.	PART NO.	DESCRIPTION	REF NO.	PART NO.	DESCRIPTION
	1	8175-2	49	1849	Bolt, 1/4-20 x 1-1/2"
ASM	4358	Tie Rod Asm. Short (incl. 2-6)	50	1389	Bushing, 1/4ID x 5/16"
ASM	9322	Tie Rod Asm. Long (incl. 2-5,7)	51	9110	Bolt, 5/16-18 x 1-1/2"
2	1414	Tie Rod End, RH Thread	52	9091	Washer, 3/8" Flat
3	9092	Nut, 3/8-24 Jam RH	53	1982	Pedal Latch
4	1415	Tie Rod End, LH Thread	54	9599-2	Brake Rod
5	9024	Nut, 3/8-24 Jam LH	ASM	9598	Brake Caliper (incl. 55-65)
6	4356	Tie Rod, Short	ASM	9810	Brake Pad Service Kit (incl. 55-57)
7	9321	Tie Rod, Long	55	*	Anvil w/Lining
8	9146	Bolt, 3/8-16 x 1-1/2"	56	*	Brake Lining
NI	6256-2	Spindle, LH	57	3928	Backing Plate
9	6257-2	Spindle, RH	58	3930	Actuator Pin
10	1264	Bolt, 1/2-13 x 3-1/2"	59	3931	Adjuster Pin
11	1012	Nut, 1/2-13 Toplock	60	3932	Nut, Jam
12	5157	Spacer, 5/8ID x 3/4"	61	9158	Bolt, 3/8-16 x 2-1/4
13	1046	Nut, 5/8-11 Toplock	62	9085	Nut, 3/8-16 Toplock
14	9309FP	Wheel Asm, Front (incl. 15-18)	ASM	6534	MB-1 Service Kit (incl. 63-65)
15	5090	Bearing, 5/8" ID	63	*	Groove Pin
16	5950	Spanner, 5/8ID x 2-1/8"	64	*	Lever
17	4915	Tire, 145/70 x 6 Knobby	65	*	Brake Housing
18	3802	Tube, 6"	66	6038	Steering Wheel
19	K485-13	Axle Guard Repair Kit	ASM	9799	Stop Switch Asm (incl. 67-69)
20	-----	-----	67	1392	Switch, Toggle
21	-----	-----	68	1393	Ring Terminal
22	-----	-----	69	1394	Wire, 50" w/ Splice Connector
ASM	6289P	Wheel Asm, Rear (incl. 23-24)	70	9080	Bolt, 1/4-20 x 2-3/4"
23	9606	Rim, 7" Black	71	9160	Bolt, 1/4-20 x 7/8"
24	9607	Tire, 16 x 8 - 7"	72	1406	Wiring Harness
25	9609	Tube, 16 x 8 - 7" (Repair Part Only)	73	1463	Bushing, Insulating
26	6123	Key, 1/4 sq. x 1-3/4"	74	6010	Engine, 5hp
27	9323	Axle Shaft	ASM	5957	Pulley, Driver (incl. 75-80)
ASM	9570	Sprocket Asm (incl. 28-31)	75	*	Drum
28	9338	Sprocket, 420P 60T	76	*	Hub
29	6280	Sprocket Hub	77	*	Shoe Assembly
30	6701	Bolt, 5/16-18 x 1"	78	*	Moveable Sheave
31	1876	Bolt, 1/4-20 x 5/8"	79	200349	Bushing
32	9511	Brake Disc, 6"	80	*	Stationary Sheave
33	4913	Spacer, 1"ID x 3"	ASM	5958	Pulley, Driven (incl. 81-87)
34	1448	Spacer, 1"ID x 3-9/16"	81	*	Stationary Sheave
35	9680	Key, 1/4 x 3/8 x 1-1/4"	82	*	Bushing
36	3941	Bearing	83	*	Moveable Sheave
37	1760	Bearing Flange	84	6804	Button, Nylon
38	1194	Washer, 3/4" Flat	85	6805	Spring
39	9162	Nut, 3/4-10 Toplock	86	*	Cam
40	2264	Bolt, 5/16-18 x 3/4"	87	2477	Retaining Ring
41	1775	Key, 1/4sq. x 1-1/4"	88	5959	Belt
42	1437	Pedal, Throttle	89	9030	Washer, 5/16 Interlock
43	9502	Spring, Left Wound	90	1356	Stud
44	1847	Bolt, 1/4-20 x 1"	91	1136	Nut, 5/8-16 Toplock
45	1496	Cable, Throttle (incl. 46)	92	1494	Mounting Bracket
46	9058	Nut, 5/16-24 Jam	93	9101	Bolt, 5/16-24 x 1/2" Nylock
47	1436	Pedal, Brake	94	1454	Bolt, 5/16-24 x 1-3/4"
48	9503	Spring, Right Wound	95	1124	Washer, 5/16" Split Lock

REPAIR PARTS - MODEL 485-15/16

REF NO.	PART NO.	DESCRIPTION	REF NO.	PART NO.	DESCRIPTION
96	1398	Washer, 21/64" ID x 1-1/4"	133	6595	Decal, Floor Pan Set, 485-15
97	1938	Spacer, 3/4 ID x 3/8"		9497	Decal, Floor Pan Set, 485-16
98	1110	Chassis, Torque Converter	134	6593	Decal, Drive Cover, 485-15
99	1116	Spanner, 5/8 ID x 4-13/16"		9499	Decal, Drive Cover, 485-16
100	5090	Bearing, 5/8 ID	135	9006	Bolt, 1/4-20 x 1/2" Whiz Flange
101	1118	Jackshaft	136	9796	Screw, Self-Tapping
102	1031	Key, 3/16 sq. x 1/2"	137	9145	Bolt, 3/8-16 x 1-3/4"
103	1469	Washer, 5/8 ID x 1" OD	138	9118	Clevis Pin
104	1937	Spacer, 5/8 ID x 1/4"	139	9116	Cotter Pin
105	1119	Spacer, 5/8 ID x 1/8"	140	4372	Handhold Strap
106	3403	Key, 3/16 sq. x 2"	141	9779	Top Pad Cover, 485-15
107	1125s	Sprocket, #420 9T <i>8720</i>	142	9778	Arm Pad Cover, 485-15
108	1263	Nut, 5/16-18 Whiz Flange		9797	Arm Pad Cover, 485-16
109	9515	Chain, #420 x 64P (incl. 110)	ASM	9798**	Foam Replacement Kit (incl. 143-147)
110	2037	Masterlink, #420	143	9758**	Foam, 43"
111	1542	Cover, Torque Converter	144	9759**	Foam, 30"
112	1537-2	Rear Mounting Bracket	145	9760**	Foam, 22"
113	2277	Bolt, 8-32 x 1/2"	146	9761**	Foam, 21"
114	2278	Nut, 8-32 Toplock	147	9762**	Foam, 20"
115	2279	Washer, #8 Flat	148	9776	Clamp, Foam Stop 3/4"
116	1019	Ty-Wrap	149	2265	Spacer, 1" ID x 3/4"
117	9057	Nut, 1/4-20 Toplock	150	1049	Decal, Caution
118	1846	Bolt, 1/4-20 x 3/4"	151	4912	Decal, Chainguard Warning
119	1189	Nut, 5/16-18 Toplock	152	9610	Decal, Tire Pressure
120	1854	Washer, #14 Flat	153	9677	Decal, Warning: Hot Surfaces
121	8134	Seat Back/Bottom	154	9678	Decal, Warning: Engine Exhaust
122	9968-2	Seat Frame, 485-15	155	8154	Decal, Age Restriction
123	9189	Bolt, 1/4-20 x 7/8"	156	6540	Decal, Warning: Wear Helmet
124	9539-2	Front Bar	157	8138	Decal, Warning: Entanglement
125	6452	Bolt, 3/8-16 x 5"	158	9679	Decal, Warning: No Riders Allowed
126	9546-2	Center Bar	159	6734	Seat Slide Pair
127	9549-2	Rear Upright	160	9990	Carriage Bolt, 5/16-18 x .625, Rd. Hea
128	6580	Headrest Pad, 485-15	161	9989	Washer, Retaining
	9500	Headrest Pad, 485-16	NI	5964	Decal, Oil Warning
129	2386	Bolt, 3/8-16 x 3-1/2"	NI	2601	Engine Operator's Manual
130	9553-2	Rear Bar	NI	4350	Operator's Manual
131			NI	9212R4	Assembly Instructions
132	6592	Decal, Steering Wheel, 485-15			
	9498	Decal, Steering Wheel, 485-16			

ASM = Assembly

NI = Not Illustrated

* = Not Sold Separately

** = Specify Black, Pink, White, Yellow