

Operator's Manual SUPPLEMENT

MANCO MODEL NO.

485-25 485-291

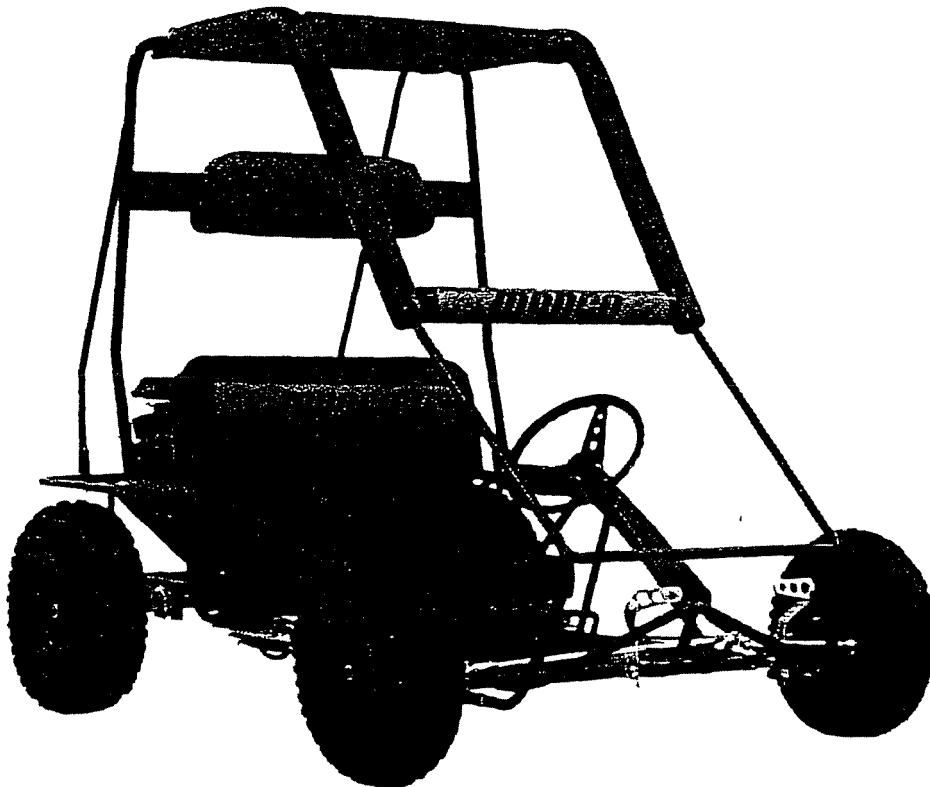
485-26 486-252

485-241 486-352

486-452

WARNING:
Read Engine
Owner's Manual,
Vehicle Operator's
Manual, and
Supplement
Carefully Before
Operating
Vehicle.

Parts List



(Unit Pictured is 485-25)

ORDERING PARTS

FAST & EASY!

1) Seek Part(s) from your models illustrated diagram, cross over REF# to PART#

2) Type PART# into sites [Search Box] at GoKartsRus.com TIP! - RIGHT CLICK LINK, SELECT OPEN IN NEW TAB

3) Add all needed parts to Shopping Cart | Complete "Checkout" | Done!

If a part does not come up in a Site Search, please [Contact Us](#) (include part# in email)

LOWEST PRICE!

BEFORE OPERATING THIS VEHICLE, THE OWNER AND/OR OPERATOR MUST UNDERSTAND THE VEHICLE WAS NOT DESIGNED OR MANUFACTURED TO MEET SPECIFICATIONS FOR USE ON PUBLIC ROADS, STREETS, HIGHWAYS, OR THOROUGHFARES AND HAVE READ AND HAVE AN UNDERSTANDING OF ALL THE INSTRUCTIONS FOR SAFE ASSEMBLY AND OPERATION AS WELL AS THE INSTRUCTIONS GOVERNING THE ENGINE AND OTHER PORTIONS OF THE VEHICLE.

REPAIR PARTS

REF. NO.	REF. NO.	DESCRIPTION	REF. NO.	REF. NO.	DESCRIPTION
1	8175-2	Frame, Black	47	1436	Pedal, Brake
	8175-7	Frame, Green	48	9503	Spring, Right Wound
	8175-13	Frame, Orange	49	1849	Bolt, 1/4-20 x 1-1/2"
ASM	4358	Tie Rod Asm. (incl. 2-6)	50	1389	Bushing, 1/4 ID x5/16"
ASM	9322	Tie Rod Asm (incl. 2-5,7)	51	9110	Bolt, 5/16-18 x 1-1/2"
2	1414	Tie Rod End, RH Thread	52	9091	Washer, 3/8" Flat
3	9092	Nut, 3/8-24 Jam RH	53	1982	Pedal Latch
4	1415	Tie Rod End, LH Thread	54	9599-2	Brake Rod
5	9024	Nut, 3/8-24 Jam LH	ASM	9598	Brake Caliper (incl. 55-65)
6	4356	Tie Rod, Short	ASM	9810	Brake Pad Service Kit (incl. 55-57)
7	9321	Tie Rod, Long	55	**	Anvil w/Lining
8	9145	Bolt, 3/8-16 x 1-3/4"	56	**	Brake Lining
9	9146	Bolt, 3/8-16 x 1-1/2"	57	3928	Backing Plate
10	1264	Bolt, 1/2-13 x 3-1/2"	58	3930	Actuator Pin
11	1012	Nut, 1/2-13 Toplock	59	3931	Adjuster Pin
12	1046	Nut, 5/8-11 Toplock	60	3932	Nut, Jam
13	6289PH	Wheel Asm, Rear (incl. 14)	61	9158	Bolt, 3/8-16 x 2-1/4"
14	9607	Tire, 16 X 8 - 7" Knobby	62	9085	Nut, 3/8-16 Toplock
15	9309FP	Wheel Asm, Front (incl. 16-18)	ASM	6534	MB-1 Service Kit (incl. 63-65)
16	4915	Tire, 145/70 x 6" Knobby	63	**	Groove Pin
17	5090	Bearing, 5/8" ID w/ Snap Ring	64	**	Lever
18	5950	Spanner, 5/8" ID x 2-1/8"	65	**	Brake Housing
19	3802	Tube, 6" (Repair Part Only)	66	6038	Steering Wheel
20	9118	Clevis Pin	ASM	9799	Stop Switch Assembly (incl. 67-69)
21	9116	Cotter Pin	67	-----	-----
22	9188	Bolt, 1/2-13 x 1-1/4"	68	8227	Tinnerman Nut
23	9022	Washer, 1/2" Flat	69	8266	Loop Clip
24	8373	Seat Belt, Shoulder/Lap	70	9080	Bolt, 1/4-20 x 2-3/4"
25	8445	Safety Flag	71	9160	Bolt, 1/4-20 x 7/8"
26	4372	Handhold	72	1406	Wiring Harness
27	9323H	Axle Shaft	73	1463	Bushing, Insulating
ASM	9570H	Sprocket Asm. (incl. 28-31)	74	9661C	Engine, 5hp Tec (485-241, -291)
28	9338	Sprocket, 420P 60T		6010C	Engine, 5hp B&S (485-25, -26)
29	6280H	Sprocket Hub		9737	Engine, 6hp Tec (486-252, -352)
30	6701	Bolt, 5/16-18 x 1"	ASM	5957	Pulley, Driver (incl. 75-80)
31	9006	Bolt, 1/4-20 x 1/2"	75	**	Drum
32	9511H	Brake Disc, 6"	76	**	Hub
33	4913	Spacer, 1" ID x 3"	77	**	Shoe Assembly
34	1448	Spacer, 1" ID x 3-9/16"	78	**	Moveable Sheave
35	2265	Spacer, 1" ID x 3/4"	79	200349	Bushing
36	3941H	Bearing	80	**	Stationary Sheave
37	1760	Bearing Flange	ASM	5958	Pulley, Driven (incl. 81-87)
38	1194	Washer, 3/4" Flat	81	**	Stationary Sheave
39	9162	Nut, 3/4-10 Toplock	82	**	Bushing
40	2264	Bolt, 5/16-18 x 3/4"	83	**	Moveable Sheave
41	6257	Spindle, RH	84	6804	Button, Nylon
NI	6256	Spindle, LH	85	6805	Spring
42	1437	Pedal, Throttle	86	**	Cam
43	9502	Spring, Left Wound	87	2477	Retaining Ring
44	1847	Bolt, 1/4-20 x 1"	88	5959	Belt
45	8251	Cable, Throttle (incl. 46)	89	9060	Washer, 5/16 Flat
46	9058	Nut, 5/16-24 Jam	90	1356	Stud

REPAIR PARTS

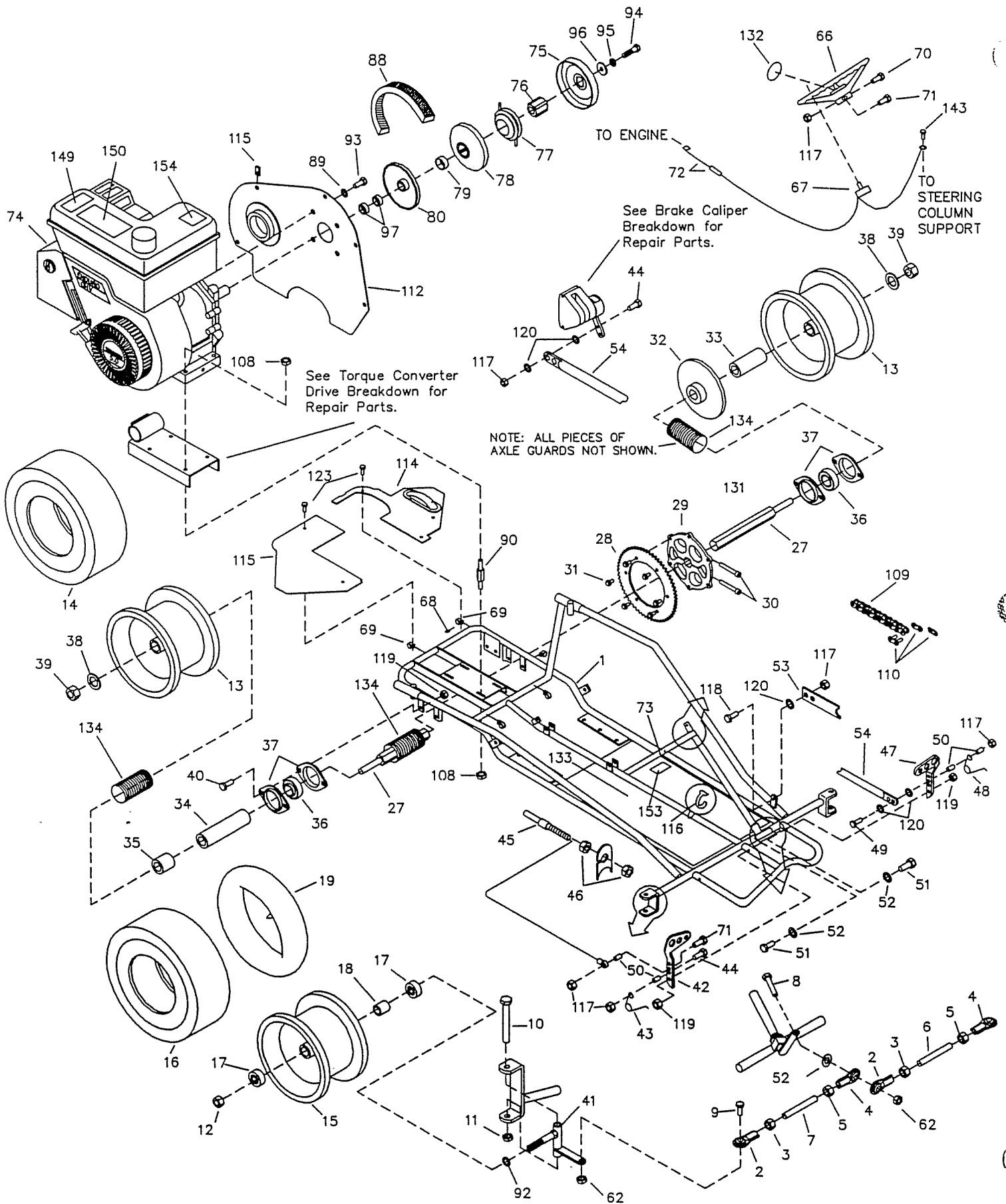
REF. NO.	REF. NO.	DESCRIPTION	REF. NO.	REF. NO.	DESCRIPTION
91	1136	Nut, 5/8-16 Toplock	131	9799	Top Pad Cover (485-25, 486-252)
92	5157	Spacer, 5/8 ID x 3/4"		10139	Top Pad Cover (486-352)
93	9101	Bolt, 5/16-24 x 1/2" Nylock	132	6592	Decal, Strg Wheel (485-25, 486-252)
94	1454	Bolt, 5/16-24 x 1-3/4"		10135	Decal, Strg Wheel (486-352)
95	1124	Washer, 5/16" Split Lock		9498	Decal, Strg Wheel (485-26)
96	1398	Washer, 21/64" ID x 1-1/4"		5946	Decal, Strg Wheel (485-291)
97	1938	Spacer, 3/4 ID x 3/8"	133	5588	Decal, Pan (485-241)
98	1110	Chassis, Torque Converter		6595	Decal, Pan (485-25, 486-252)
99	1116	Spanner, 5/8 ID x 4-13/16"		10144	Decal, Pan (486-352)
100	5090	Bearing, 5/8 ID		9497	Decal, Pan (485-26)
101	1118	Jackshaft		8174	Decal, Pan (485-291)
102	1031	Key, 3/16 sq. x 1/2"	134	K485-241	Axle Guard Repair Kit
103	1469	Washer, 5/8 ID x 1" OD	135	5579	Arm Pad Cover (485-241)
104	1937	Spacer, 5/8 ID x 1/4"		9778	Arm Pad Cover (485-25, 486-252)
105	1119	Spacer, 5/8 ID x 1/8"		10138	Arm Pad Cover (486-352)
106	3403	Key, 3/16 sq. x 2"		9797	Arm Pad Cover (485-26)
8720 107	1125 9T	Sprocket, #420, 9T	136	2388	Nut, 3/8-24
108	1263	Nut, 5/16-18 Whiz Flange	ASM	9798*	Replacement Foam Kit (incl. 137- 141)
109	9515	Chain, #420 x 64P (incl. 110)	137	9759*	Foam, Side Bar, 30"
110	2037	Masterlink, #420	138	9758*	Foam, Front Bar, 43"
111	8187	Cover, Torque Converter	139	9760*	Foam, Top Center, 22"
NI	6593	Decal, TAV Cover (485-25, 486-252)	140	9761*	Foam, Middle Center, 21"
	10145	Decal, TAV Cover (486-352)	141	9762*	Foam, Bottom Center, 20"
	9499	Decal, TAV Cover (485-26)	142	9776	Clamp, Foam Stop 3/4"
	8172	Decal, TAV Cover (485-291)	143	9796	Screw, 12-24 x 1/2" Self Tapping
112	8188	Cover Plate (incl. 113)	144	1130	Washer, 3/8 Split Lock
113	2449	Tinnerman Nut	145	6540	Decal, Helmet Warning
114	8241	Left Deck Cover Asm	146	1049	Decal, Caution
115	8230	Right Deck Cover	147	4912	Decal, Chain Guard Warning
116	1019	Ty-Wrap	148	9610	Decal, Tire Pressure
117	9057	Nut, 1/4-20 Toplock	149	9677	Decal, Warning: Hot Surfaces
118	1846	Bolt, 1/4-20 x 3/4"	150	9678	Decal, Warning: Engine Exhaust
119	1189	Nut, 5/16-18 Toplock	151	9679	Decal, No Riders Allowed
120	1854	Washer, #14 Flat	152	8138	Decal, Warning: Entanglement
121	8134	Seat Pad (485-241, -291, -26)	153	8154	Decal, Age Restriction
	9987	Seat Pad (485-25, 486-252)	154	5964	Decal, Oil Warning
	10142	Seat Pad (486-352)	155	8132	Seat Frame Riser
122	9968-2	Seat Frame		8142	Seat Slides (optional)
123	1876	Bolt, 1/4-20 x 5/8"	NI	2601	B&S Engine Operator's Manual
124	9539-2	Front Bar		2684D	Tec Engine Operator's Manual
125	6452	Bolt, 3/8-16 x 5"	NI	4350	Operator's Manual
126	9546-2	Center Bar	NI	9212R4	Assembly Instructions
127	9549-2	Rear Upright			
128	5581	Headrest Pad (485-241)			
	6580	Headrest Pad (485-25, 486-252)			
	9500	Headrest Pad (485-26)			
	6217	Headrest Pad (485-291)			
	10141	Headrest Pad (486-352)			
129	2386	Bolt, 3/8-16 x 3-1/2"			
130	9553-2	Rear Bar, Black			
	9553-7	Rear Bar, Green			
	9553-13	Rear Bar, Orange			

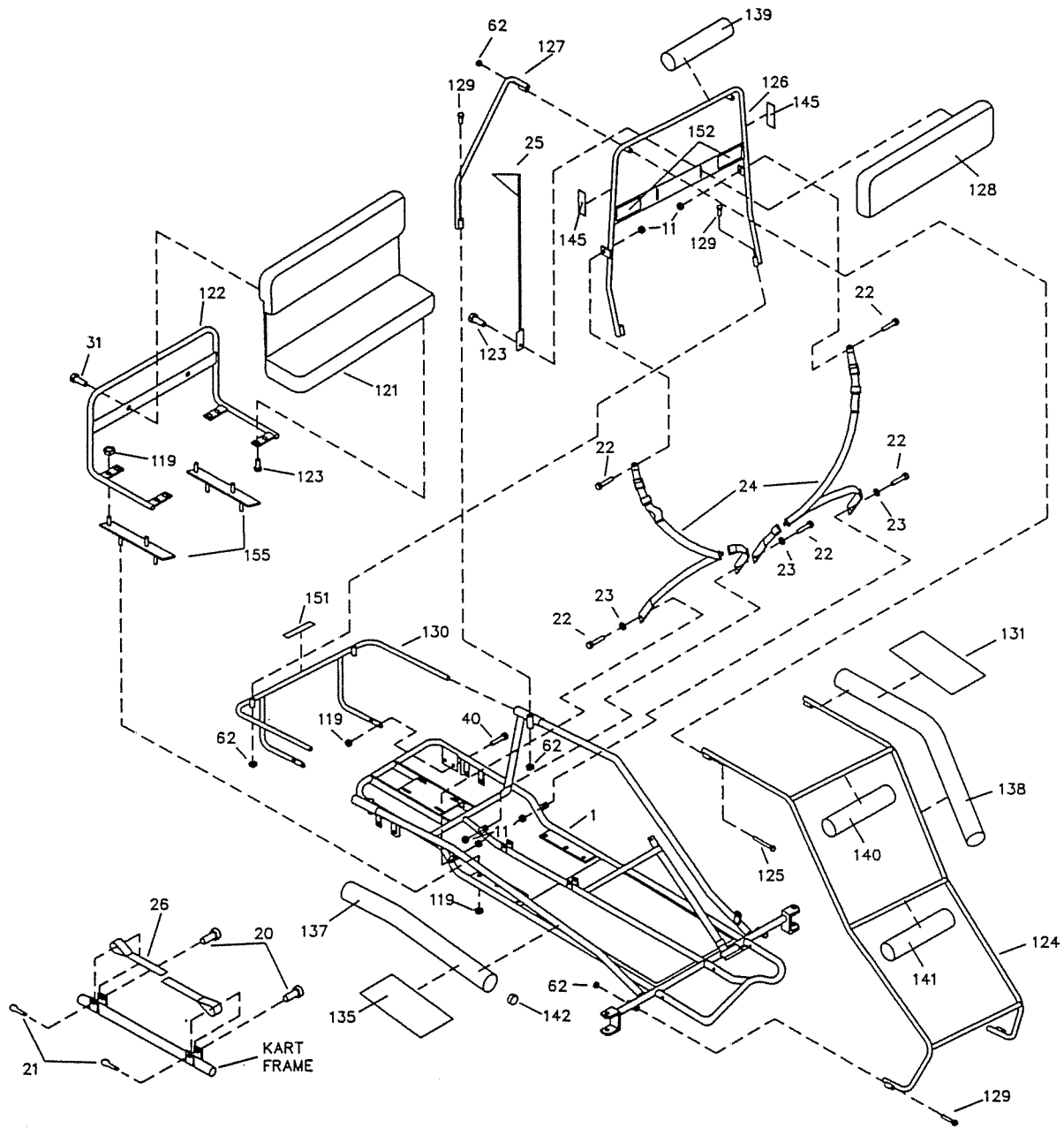
ASM = Assembly

NI = Not Illustrated

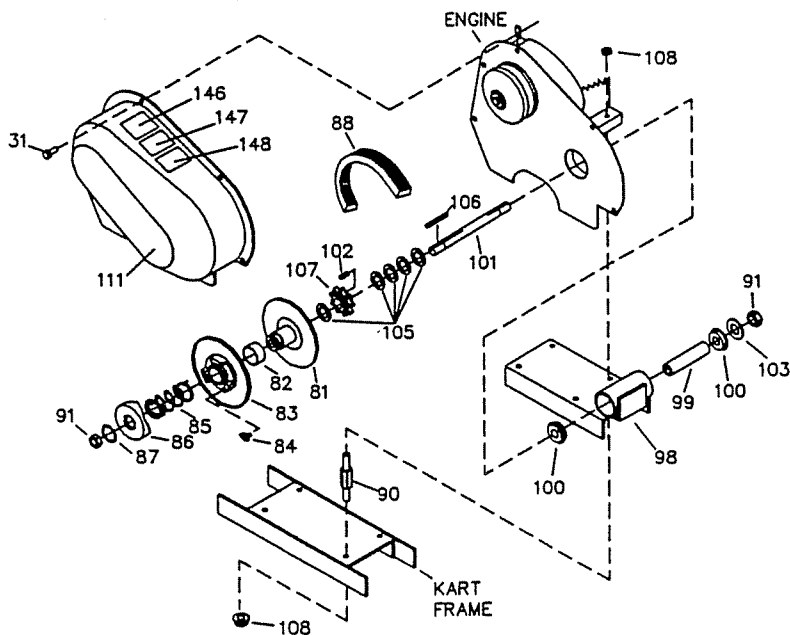
* = Specify Black, Pink, White. or Yellow

** = Not Sold Separately

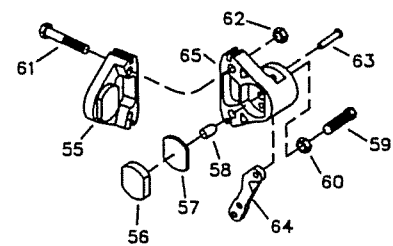




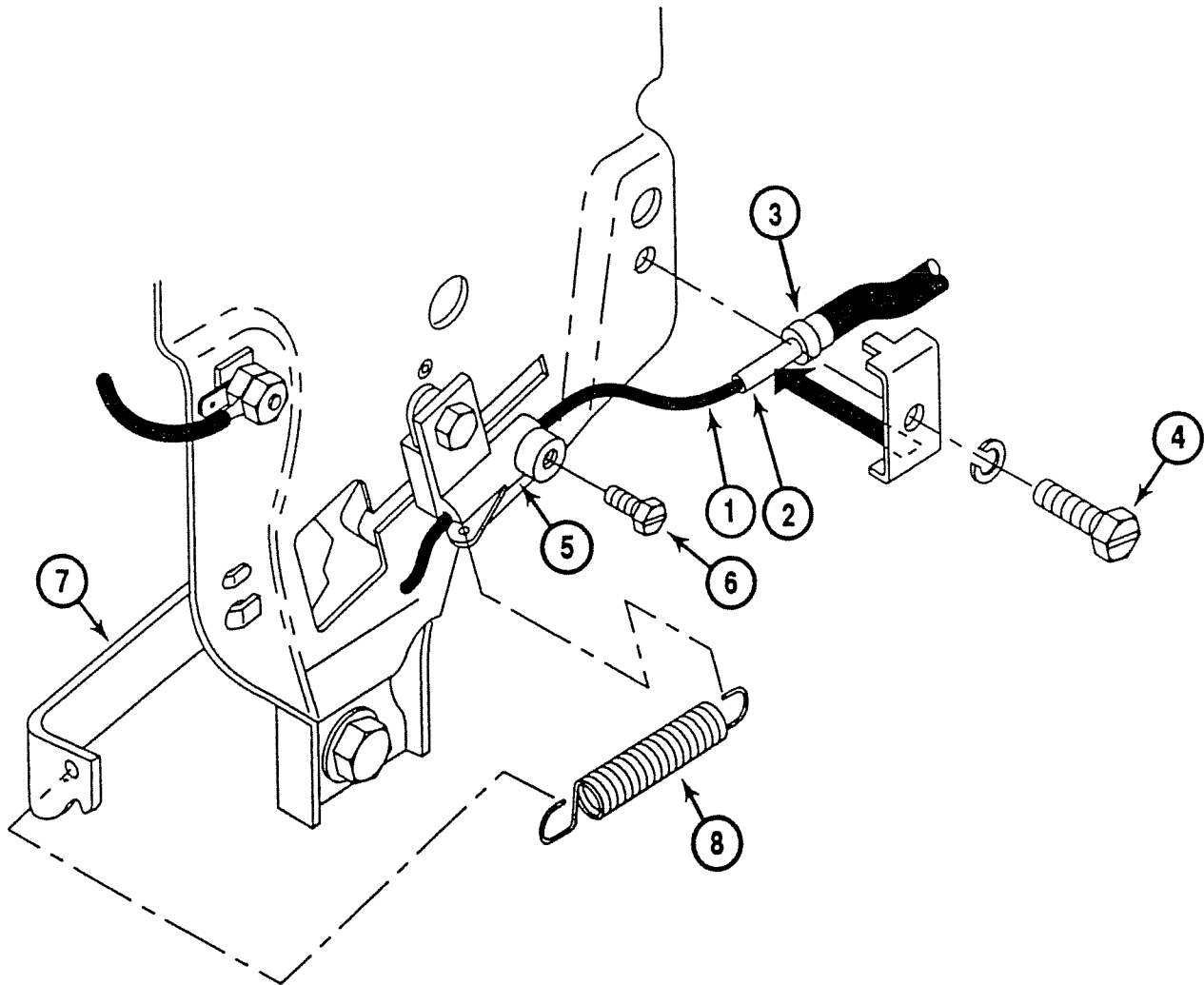
Torque Converter Drive Breakdown



Brake Caliper Breakdown



THROTTLE CABLE INSTALLATION



- ASSEMBLY:** Pass the Throttle Cable (Item 1) through the 1628 Cable Retainer (Item 2) and butt the Throttle Cable Housing End (Item 3) against the Inside Shoulder of the 1628 Cable Retainer (Item 2). The 1628 Cable Retainer (Item 2) is to be securely fastened to the engine with the Clamping Screw (Item 4). Pass the Wire End of the Throttle Cable Housing (Item 1) through the hole in the 5928 Cable Stop (Item 5). Before tightening 5929 Cable Stop Screw (Item 6):
1. Ensure 5926 Spring Anchor (Item 7), 5927 Spring (Item 8) and Throttle Cable are installed as illustrated above.
 2. Ensure throttle pedal is in rearward (idle) position.
 3. Ensure that there is no slack in the Throttle Cable Wire End (Item 1) with no tension applied to the spring (Item 8).
 4. Ensure Throttle Cable Housing End (Item 3) is inside and against the 1628 Cable Retainer (Item 2).