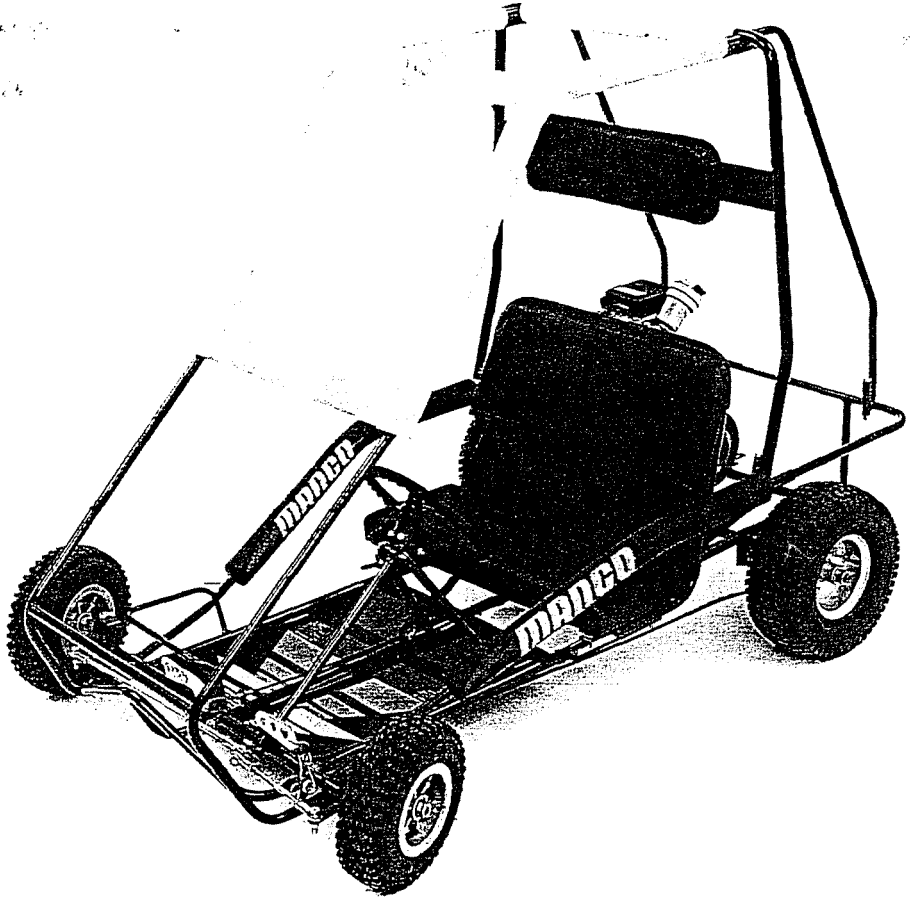


Operator's Manual SUPPLEMENT

MANCO MODEL NO.
485-331

WARNING:
Read Engine
Owner's Manual,
Vehicle Operator's
Manual, and
Supplement
Carefully Before
Operating
Vehicle.

Parts List



ORDERING PARTS

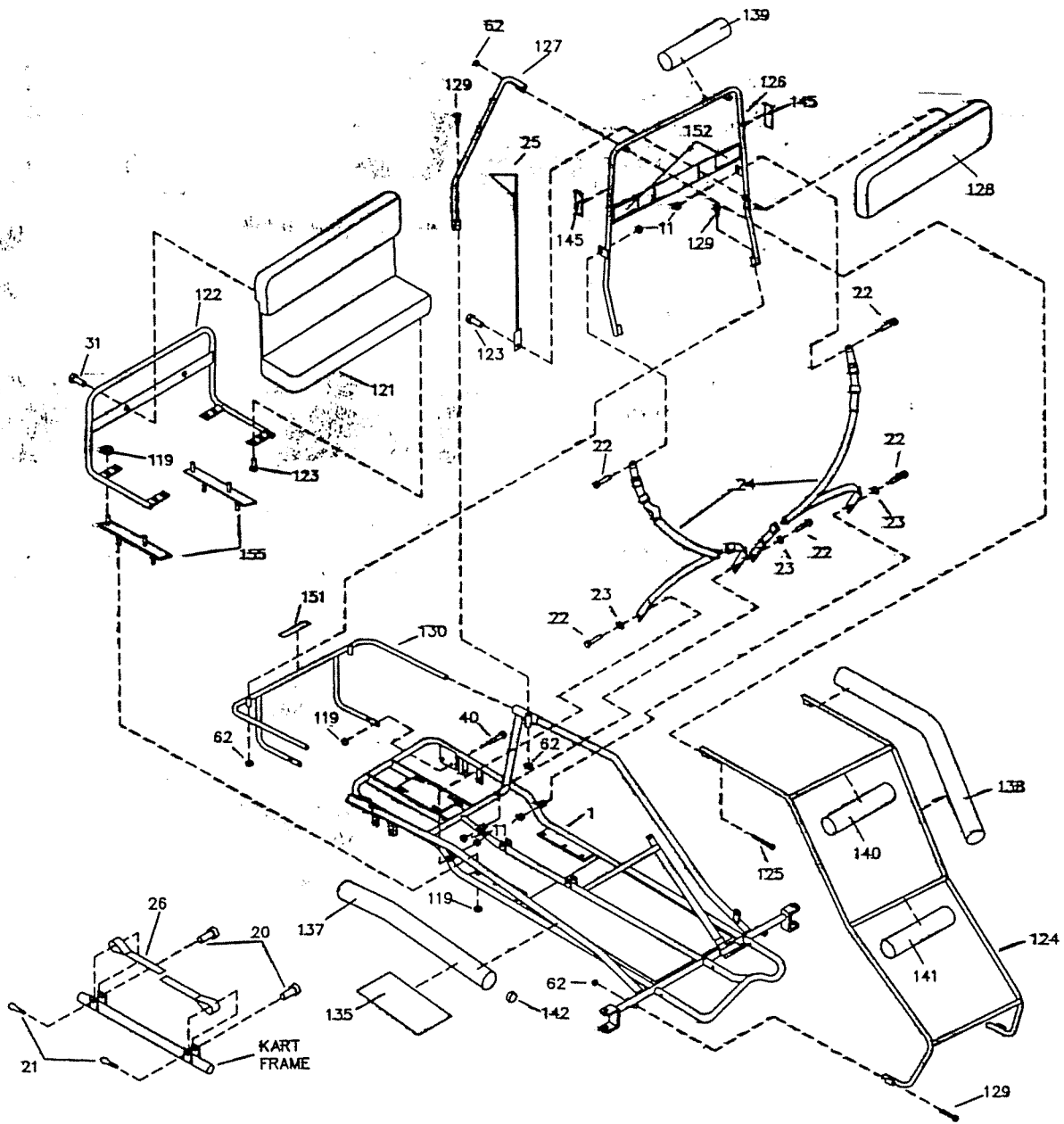
FAST & EASY!

- 1) Seek Part(s) from your models illustrated diagram, cross over REF# to PART#
- 2) Type PART# into sites [Search Box] at GoKartsRus.com TIP! - RIGHT CLICK LINK, SELECT OPEN IN NEW TAB
- 3) Add all needed parts to Shopping Cart | Complete "Checkout" | ✓ Done!

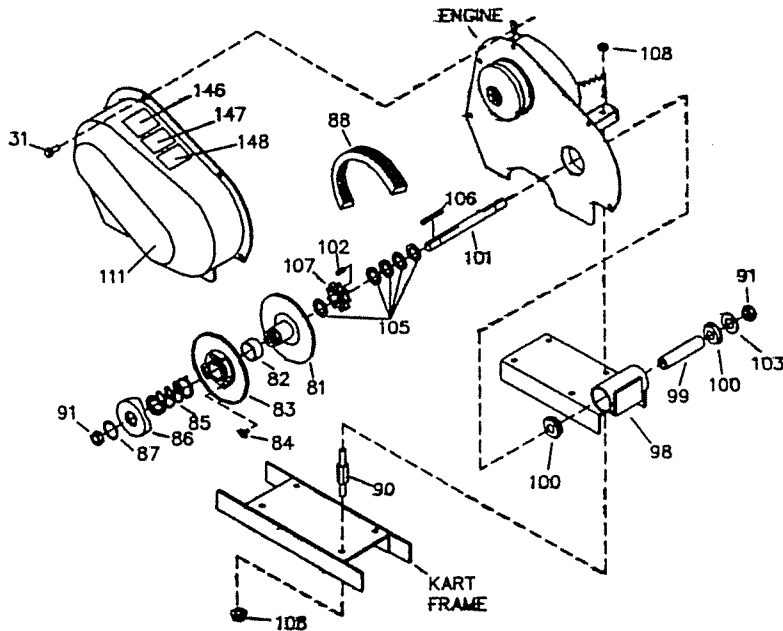
If a part does not come up in a Site Search, please [Contact Us](#) (include part# in email)

LOWEST PRICES!

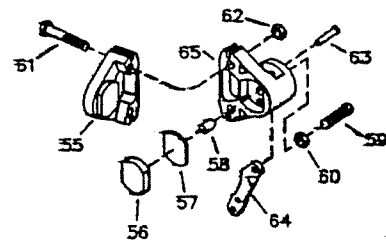
BEFORE OPERATING THIS VEHICLE, THE OWNER AND/OR OPERATOR MUST UNDERSTAND THE VEHICLE WAS NOT DESIGNED OR MANUFACTURED TO MEET SPECIFICATIONS FOR USE ON PUBLIC ROADS, STREETS, HIGHWAYS, OR THOROUGHFARES AND HAVE READ AND HAVE AN UNDERSTANDING OF ALL THE INSTRUCTIONS FOR SAFE ASSEMBLY AND OPERATION AS WELL AS THE INSTRUCTIONS GOVERNING THE ENGINE AND OTHER PORTIONS OF THE VEHICLE.



Torque Converter Drive Breakdown



Brake Caliper Breakdown



REPAIR PARTS - MODEL 485-331

REF. NO.	REF. NO.	DESCRIPTION	REF. NO.	REF. NO.	DESCRIPTION
1	8175-2	Frame	50	1389	Bushing, 1/4ID x 5/16"
ASM	4358	Tie Rod Asm. (incl. 2-6)	51	9110	Bolt, 5/16-18 x 1-1/2"
ASM	9322	Tie Rod Asm (incl. 2-5,7)	52	9091	Washer, 3/8" Flat
2	1414	Tie Rod End, RH Thread	53	1982	Pedal Latch
3	9092	Nut, 3/8-24 Jam RH	54	9599-2	Brake Rod
4	1415	Tie Rod End, LH Thread	ASM	9598	Brake Caliper (incl. 55-65)
5	9024	Nut, 3/8-24 Jam LH	ASM	9810	Brake Pad Service Kit (incl. 55-57)
6	4356	Tie Rod, Short	55	**	Anvil w/Lining
7	9321	Tie Rod, Long	56	**	Brake Lining
8	9145	Bolt, 3/8-16 x 1-3/4"	57	3928	Backing Plate
9	9146	Bolt, 3/8-16 x 1-1/2"	58	3930	Actuator Pin
10	1264	Bolt, 1/2-13 x 3-1/2"	59	3931	Adjuster Pin
11	1012	Nut, 1/2-13 Toplock	60	3932	Nut, Jam
12	1937	Spacer, 5/8ID x 1/4"	61	9158	Bolt, 3/8-16 x 2-1/4"
13	1046	Nut, 5/8-11 Toplock	62	9085	Nut, 3/8-16 Toplock
14	8750	Wheel Asm, Rear (incl. 16)	ASM	6534	MB-1 Service Kit (incl. 63-65)
15	8751	Wheel Asm, Front (incl. 16-18)	63	**	Groove Pin
16	3801s	Tire, 15 x 6 x 6" Turf Saver	64	**	Lever
17	5090	Bearing, 5/8" ID w/ Snap Ring	65	**	Brake Housing
18	5950	Spanner, 5/8" ID x 2-1/8"	66	6038	Steering Wheel
19	3802	Tube, 6" (Repair Part Only)	ASM	9799	Stop Switch Assembly (incl. 67-69)
20	9118	Clevis Pin	67		
21	9116	Cotter Pin	68	8227	Tinnerman Nut
22	9188	Bolt, 1/2-13 x 1-1/4"	69	8266	Loop Clip
23	9022	Washer, 1/2" Flat	70	9080	Bolt, 1/4-20 x 2-3/4"
24	8373	Seat Belt, Shoulder/Lap	71	9160	Bolt, 1/4-20 x 7/8"
25	8445	Safety Flag	72	1406	Wiring Harness
26	4372	Handhold	73	1463	Bushing, Insulating
27	9693H	Axle Shaft → 9323H	74	9661C	Engine, 5hp
ASM	6420H	Sprocket Asm. (incl. 28-31)	ASM	5957	Pulley, Driver (incl. 75-80)
28	6282	Sprocket, 420P 54T	75	**	Drum
29	6280H	Sprocket Hub	76	**	Hub
30	6701	Bolt, 5/16-18 x 1"	77	**	Shoe Assembly
31	9006	Bolt, 1/4-20 x 1/2"	78	**	Moveable Sheave
32	9511H	Brake Disc, 6"	79	200349	Bushing
33	4913	Spacer, 1" ID x 3"	80	**	Stationary Sheave
34	1448	Spacer, 1" ID x 3-9/16"	ASM	5958	Pulley, Driven (incl. 81-87)
35	2265	Spacer, 1" ID x 3/4"	81	**	Stationary Sheave
36	3941H	Bearing	82	**	Bushing
37	1760	Bearing Flange	83	**	Moveable Sheave
38	1194	Washer, 3/4" Flat	84	6804	Button, Nylon
39	9162	Nut, 3/4-10 Toplock	85	6805	Spring
40	2264	Bolt, 5/16-18 x 3/4"	86	**	Cam
41	6257	Spindle, RH	87	2477	Retaining Ring
NI	6256	Spindle, LH	88	5959	Belt
42	1437	Pedal, Throttle	89	9060	Washer, 5/16 Flat
43	9502	Spring, Left Wound	90	1356	Stud
44	1847	Bolt, 1/4-20 x 1"	91	1136	Nut, 5/8-16 Toplock
45	8252	Cable, Throttle (incl. 46)	92		
46	9058	Nut, 5/16-24 Jam	93	9101	Bolt, 5/16-24 x 1/2" Nylock
47	1436	Pedal, Brake	94	1454	Bolt, 5/16-24 x 1-3/4"
48	9503	Spring, Right Wound	95	1124	Washer, 5/16" Split Lock
49	1849	Bolt, 1/4-20 x 1-1/2"			

REPAIR PARTS - MODEL 485-331

REF. NO.	REF. NO.	DESCRIPTION	REF. NO.	REF. NO.	DESCRIPTION
96	1398	Washer, 21/64" ID x 1-1/4"	133	4342	Decal, Pan
97	1938	Spacer, 3/4" ID x 3/8"	134	K445-13	Axle Guard Repair Kit
98	1110	Chassis, Torque Converter	135	9800	Arm Pad Cover
99	1116	Spanner, 5/8" ID x 4-13/16"	136	2388	Nut, 3/8-24
100	5090	Bearing, 5/8" ID	ASM	9798*	Replacement Foam Kit (incl. 137- 141)
101	1118	Jackshaft	137	9759*	Foam, Side Bar, 30"
102	1031	Key, 3/16 sq. x 1/2"	138	9758*	Foam, Front Bar, 43"
103	1469	Washer, 5/8" ID x 1" OD	139	9763*	Foam, Top Center, 16"
104	1937	Spacer, 5/8" ID x 1/4"	140	9764*	Foam, Middle Center, 15"
105	1119	Spacer, 5/8" ID x 1/8"	141	9765*	Foam, Bottom Center, 14"
106	3403	Key, 3/16 sq. x 2"	142	9776	Clamp, Foam Stop 3/4"
107	1125s	Sprocket, #420, 9T	143	9796	Screw, 12-24 x 1/2" Self Tapping
108	1263	Nut, 5/16-18 Whiz Flange	144	1130	Washer, 3/8 Split Lock
109	1524	Chain, #420 x 60P (incl. 110)	145	6540	Decal, Helmet Warning
110	2037	Masterlink, #420	146	1049	Decal, Caution
111	8187	Cover, Torque Converter	147	4912	Decal, Chain Guard Warning
112	8188	Cover Plate (incl. 113)	148	8895	Decal, Tire Pressure
113	2449	Tinnerman Nut	149	9677	Decal, Warning: Hot Surfaces
114	8240	Left Deck Cover Asm	150	9678	Decal, Warning: Engine Exhaust
115	8230	Right Deck Cover	151	9679	Decal, No Riders Allowed
116	1019	Ty-Wrap	152	8138	Decal, Warning: Entanglement
117	9057	Nut, 1/4-20 Toplock	153	8154	Decal, Age Restriction
118	1846	Bolt, 1/4-20 x 3/4"	154	5964	Decal, Oil Warning
119	1189	Nut, 5/16-18 Toplock	155	8132	Seat Frame Riser
120	1854	Washer, #14 Flat	NI	2601	Engine Operator's Manual
121	4324	Seat Pad	NI	4350	Operator's Manual
122	9973-2	Seat Frame	NI	9212R4	Assembly Instructions
123	1876	Bolt, 1/4-20 x 5/8"			
124	9540-2	Front Bar - 9539-2			
125	6452	Bolt, 3/8-16 x 5" 9546-2			
126	9547-2	Center Bar			
127	9549-2	Rear Upright - 9549-2			
128	6320	Headrest Pad			
129	2386	Bolt, 3/8-16 x 3-1/2"			
130	9554-2	Rear Bar 9553-2			
131	-----	-----			
132	3296	Decal, Steering Wheel Center			

ASM= Assembly

NI = Not Illustrated

* = Specify Black, Pink, White, or Yellow

** = Not Sold Separately