

Operator's Manual SUPPLEMENT

MANCO MODELS NOS.

475

485

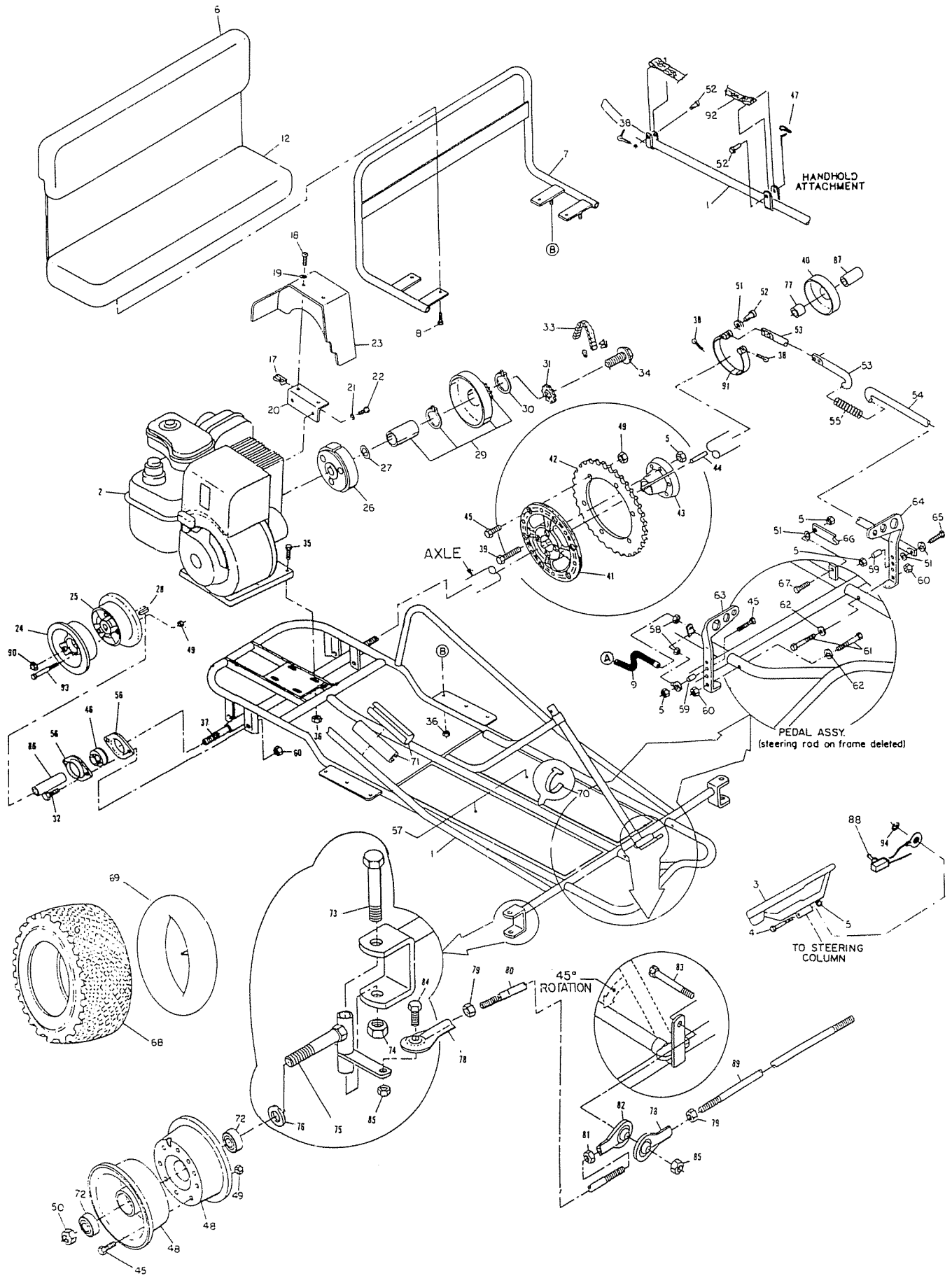


ORDERING PARTS

- FAST & EASY!**
- 1) Seek Part(s) from your models illustrated diagram, cross over REF# to PART#
 - 2) Type PART# into sites [Search Box] at GoKartsRus.com TIP! - RIGHT CLICK LINK, SELECT OPEN IN NEW TAB
 - 3) Add all needed parts to Shopping Cart | Complete "Checkout" | Done!

If a part does not come in a Site Search, please [Contact Us](#) (include part# in email)

LOWEST PRICES!



REPAIR PARTS

Model 475-00/485-00

NOTE: This repair parts list supplies part numbers for models 475 and 485. Most components are the same for both models. However, part numbers followed with one asterisk (*) are for Model 475-00 only; part numbers followed with two asterisks (***) are for Model 485-00 only.

REF. NO.	PART NO.	DESCRIPTION	REF. NO.	PART NO.	DESCRIPTION
1	4884-2	Frame	57	4341	Decal
2	6010	Engine	58	9058	5/16-24 Hex Jam Nut
3	1626	Steering Wheel	59	1389	Bushing
4	9080	1/4-20 x 2 3/4 Hex Cap Screw	60	1189	5/16-18 Hex Locknut
5	9057	1/4-20 Hex Toplock Nut	61	9110	3/8 Shoulder Bolt
6	4328	Seat Back	62	9091	3/8 Std. Flat Washer
7	3325-2	Seat Frame	63	8011	Throttle Pedal
8	1876	1/4-20 x 3/8 Hex Fl. Whizlock Screw	64	8009	Brake Pedal
9	1496	Throttle Cable	65	1847	1/4-20 x 1 Hex Cap Screw
NI	1628	Cable Retainer	66	1982	Pedal Latch
11		Not Used	67	1845	1/4-20 x 3/8 Hex Cap Screw
12	4327	Seat Bottom/Flap	68	2244*	Tire, 4.10 - 3.50 x 4
13		Not Used	68	2246**	Tire, 4.10 - 3.50 x 5
14		Not Used	69	1053*	Innertube, 4.10 - 3.50 x 4
15		Not Used	69	1753**	Innertube, 4.10 - 3.50 x 5
16		Not Used	70	1019	Tywrap
17	5135*	#10-24 Tinnerman Nut	71	6126	Arm Pad
18	6046*	#10-24 x 1/2 Truss Head Screw	72	1093	Bearing
19	6039*	Internal Lock Washer	73	1264	1/2-13 x 3 1/2 Hex Cap Screw
20	3363-2*	Chainguard Bracket	74	1012	1/2-13 Hex Toplock Nut
20	1494**	Cover Mounting Bracket	75	8021	R.H. Spindle
21	9030*	3/16 Int. Lock Washer	NI	8020	L.H. Spindle
22	9101	3/16-24 x 1/2 Nylock Hex Cap Screw	76	3761	Spacer, 3/8 I.D. x 1/4
23	4294*	Chainguard	77	4914	Spacer, 1.0 I.D. x 3/16
24	5128*	Wheel Half-5", 3/4" Bore	78	1415	Rod End, L.H.
24	4925**	Wheel Half-6", Outer	79	9024	3/8-24 L.H. Hex Jam Nut
25	5127*	Wheel Half-5", 1" Bore	80	5003	Tie Rod (Long)
25	4926**	Wheel Half-6", Inner	81	9092	3/8-24 R.H. Hex Jam Nut
26	4496*	Clutch Center	82	1414	Rod End, R.H.
27	3146*	Fiber Washer	83	9158	3/8-16 x 2 1/4 Hex Cap Screw
28	6123	Key, 1/4 x 1/4 x 1 3/4	84	9146	3/8-16 x 1 1/2 Hex Cap Screw
29	4491*	Drum With Sprocket	85	9085	3/8-16 Toplock Hex Nut
30	3141*	Shaft Snap Ring	86	4659*	Spacer, 1.0 I.D. x 3 3/4
31	9001*	3/8 Int/Ext Lockwasher	86	4913**	Spacer, 1.0 I.D. x 3
32	2264	3/16-18 x 3/4 Hex Cap Screw	87	4913*	Spacer, 1.0 I.D. x 3
33	2079*	Chain-#35 x 76 Pitch w/Masterlink	87	5646**	Spacer, 1.0 I.D. x 2 1/4
33	1324**	Chain-#35 x 78 Pitch w/Masterlink	88	1392	Stopswitch
34	1491*	3/16-24 x 3/4 Hex Cap Screw	NI	1394	Stop Switch Wire
35	1122*	3/16-18 x 1 1/2 Hex Cap Screw	89	4356	Tie Rod
36	1263	3/16-18 Hex Fl. Whizlock Nut	90	9052	3/4-16 Hex Toplock Nut
37	1387	Axle Shaft Weldment	91	1036	Brake Band
38	9116	3/32 Dia. x 3/4 Lg. Cotter Pin	92	4372	Handhold
39	1849	1/4-20 x 1 1/2 Hex Cap Screw GR5	93	5839*	1/4-20 x 3/4 Hex Flanged Whiz
40	1078	Brake Drum Weldment	94	5732*	1/4 Int/Ext Lock Washer
41	1421	Vari-Hub	ASM	2497*	Wheel Assembly, 4" Knobby Front
42	1420*	Sprocket, 35A60	ASM	4930**	Wheel Assembly, 5" Knobby Front
42	2998**	Sprocket, 35A72	ASM	2493*	Wheel Assembly, 5" Knobby Rear
43	5625	Vari-Hub Bushing	ASM	4924**	Wheel Assembly, 6" Knobby Rear
44	1775	Key, 1/4 x 1/4 x 1 1/4	ASM	4358	Tie Rod, L.H. (Short)
45	1846	1/4-20 x 3/4 Hex Cap Screw	ASM	4359	Tie Rod, R.H. (Long)
46	3941	Bearing 1.0 I.D.	NI	4927**	Hub, 1" Bore (6" Wheels)
47	9116	3/32 Dia. x 3/4 Lg. Cotter Pin	NI	3801**	Tire, 15 x 6.00-6"
48	5158*	Wheel Half, 4"	NI	3802**	Innertube, 6"
48	8004**	Wheel Half, 5" Untapped			
49	1186	1/4-20 Hex Whizlock Nut			
50	1046	3/8-11 Hex Locknut			
51	1854	1/4 Std. Flat Washer			
52	9118	1/4 Dia. x 1 1/4 Lg. Clevis Pin			
53	4944-2	Brake Rod, Rear			
54	2377	Brake Rod, Front			
55	5681	Compression Spring			
56	1760	Bearing Flange			

*MODEL 475-00 ONLY

**MODEL 485-00 ONLY

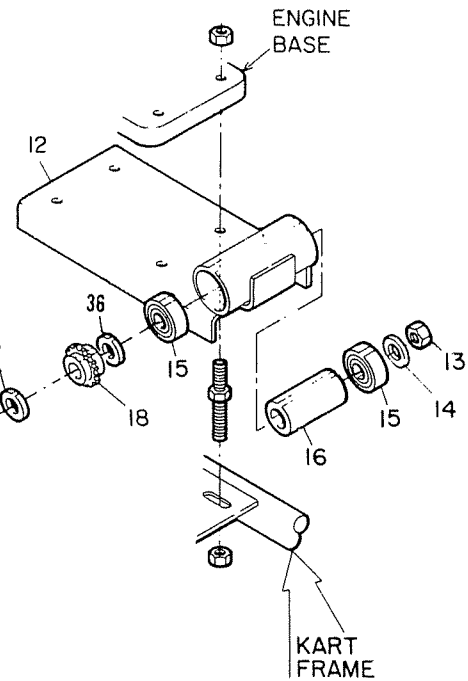
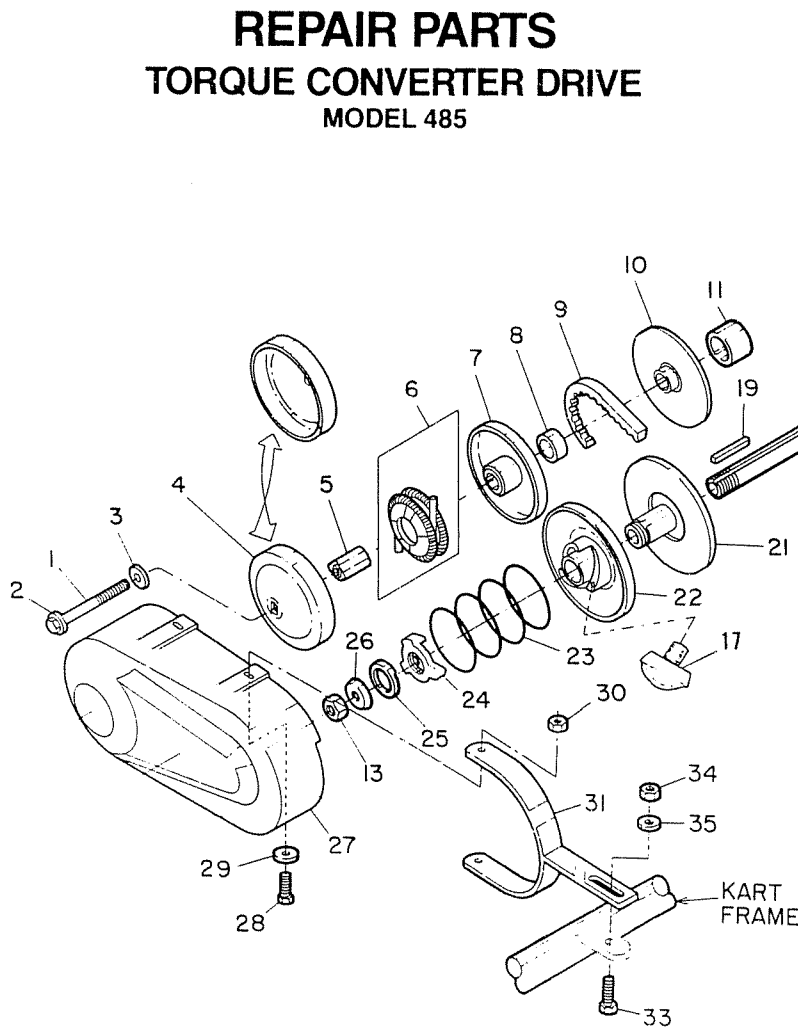
NI = NOT ILLUSTRATED

ASM = ASSEMBLY COMPLETE

REPAIR PARTS

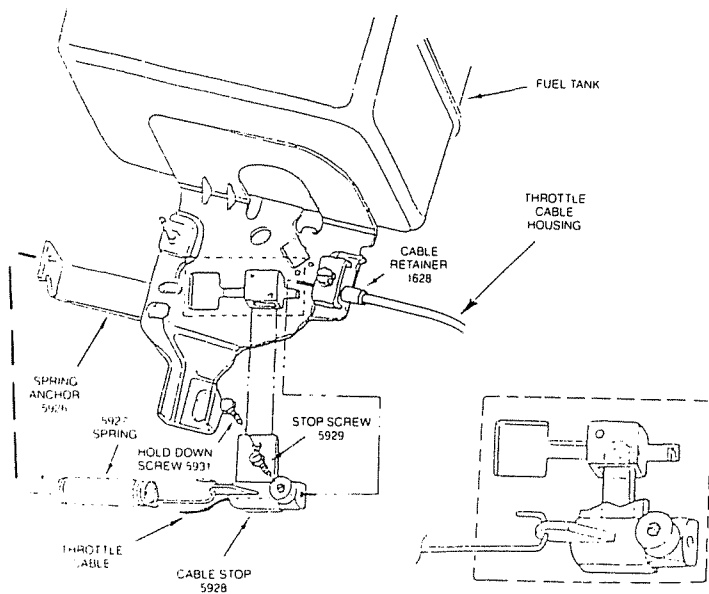
TORQUE CONVERTER DRIVE

MODEL 485



REF. NO	PART NO.	DESCRIPTION
1	1454	5/16-24 x 1 1/2 Hex cap screw
2	1124	5/16 Lockwasher
3	1398	21/64 Flat washer
4		Driver drum
5		Driver hub
6		Drive shoe asm
7		Moveable sheave - driver
8	200349	Bushing
9	5959	Belt
10		Stationary sheave - driver
11	1938	Spacer
12	1110	Chassis
13	1136	5/8-18 UTA Locknut
14	1469	5/8 I.D. Spacer/washer
15	5090	Bearing
16	1116	Bearing spanner
17	2516	Nylon button - cam - heavy duty
18	3504	Sprocket - 12 tooth - 3/8" pitch
19	3403	3/16 square x 2
20	1118	Jackshaft
21		Stationary sheave
22		Moveable sheave with cam
23	204114	Spring
24		Cam
25	2477	Retaining ring
26	204489	Cup washer
27	1542	Cover
28	2277	#8-32 x 1/2 Hex head screw
29	2279	#8 Flat washer
30	2278	#8-32 UTA Locknut
31	1537	Mounting bracket
33	1846	1/4-20 x 3/4 Hex head screw Gr 5
34	9057	1/4-20 UTA Locknut
35	1854	1/4 Flat washer
36	1937	5/8 I.D. x 7/8 O.D. x 1/4 Spacer
37	1119	5/8 I.D. x 7/8 O.D. x 1/8 Spacer
ASM	5957	Driving pulley asm (assembled to crankshaft)
ASM	5958	Driven pulley asm (assembled to jackshaft)

THROTTLE CABLE INSTALLATION



ASSEMBLY: Pass the throttle cable through the cable retainer and butt the throttle cable housing end against the inside shoulder of the cable retainer. (The cable retainer is to be securely fastened to the engine with the clamping screw.) Pass the end of the Throttle Cable through the hole in the cable stop. Before tightening cable stop screw:

- 1 Ensure spring anchor, spring, and cable are installed as illustrated above
- 2 Ensure throttle pedal is in rearward (idle) position
- 3 Ensure that there is no slack in the throttle cable with no tension applied to return spring
- 4 Ensure cable housing is inside and against the cable retainer.