

## REPAIR PARTS - MODEL 486-652

1	10527-2	FRAME WELDMENT, BLACK	67	10144	DECAL SET FLOOR PAN
<b>ASM</b>	10869	TIE ROD ASM LONG (INCL. 2, 4-7)	68	8381	DECAL MADE IN AMERICA
<b>ASM</b>	5020	TIE ROD ASM SHORT (INCL. 3-7)	69	1049	DECAL CAUTION DRIVE COVER
2	10868	TIE ROD 19.0	70	8154	DECAL NO CHILD UNDER 12 YRS
3	5004	TIE ROD 7.25	71	4912	DECAL WARNING CHAINGUARD
4	1415	TIE ROD END LH THREAD	72	8138	DECAL WARNING ENTANGLEMENT
5	1414	TIE ROD END RH THREAD	73	10135	DECAL STEERING WHEEL
6	9024	NUT, 3/8-24 JAM LH THREAD	74	9679	DECAL NO RIDERS ALLOWED
7	9092	NUT, 3/8-24 JAM RH THREAD	75	6958	DECAL TIRE PRESS 3.6/6.0
8	9674	SPACER, 3/8 ID X 3/8 LONG	76	5027	MANCO SERIAL NUMBER
9	9146	BOLT, 3/8-16 X 1.50	77	8373	SEAT BELT - SHOULDER/LAP
10	9158	BOLT, 3/8-16 X 2.25	78	8399	DECAL, WARNING SEAT BELT
11	9006	BOLT, 1/4-20 X .50 HEX FLANGED WHIZ	79	9188	BOLT, 1/2-13 X 1.50
<b>NI</b>	10548	SPINDLE WELDMENT LEFT BLACK	80	9022	WASHER, 1/2 FLAT
12	10549	SPINDLE WELDMENT RIGHT BLACK	81	2386	BOLT, 3/8-16 X 3.50
13	9709	COMPRESSION SPRING	<b>NI</b>	8746M	VIDEO TAPE SAFETY MANCO
14	5682	BOLT, 1/2-13 X 5.500	82	5287	BOLT #10-16 X .375 SELF TAPPING
15	1012	NUT, 1/2-13 TOPLOCK	83	5288	WIRE CLAMP
16	1046	NUT, 5/8-11 TOPLOCK	84	1189	NUT, 5/16-18 HEX TOPLOCK
17	1104	SPACER SPLIT .812OD .625ID 1.000L	85	9189	BOLT, 1/4-20 X .875 HEX FLANGED WHIZ
18	9309FP	WHEEL ASSEMBLY, IDLE (INCL. 19-22)	86	1876	BOLT 1/4-20 X .625 HEX FLANGED WHIZ
19	4915	TIRE 145/70 X 6" KNOBBY	87	9968-2	SEAT FRAME WELDMENT BLACK
20	3802	INNER TUBE 6"	88	6734	SEAT SLIDE PR - SHORT
21	5090	BEARING, 5/8" I.D.	89	8445	FLAG SAFETY W/ BRKT 3FT
22	5950	SPANNER, 5/8" I.D. X 2-1/8"	90	10131	ENGINE 6HP TEC OHV W/ LIGHTING COIL
<b>ASM</b>	10381	WHEEL ASM, 18 X 9.5 - 8 KNOBBY (INCL. 23-24)	<b>ASM</b>	5957	DRIVER PULLEY ASSEMBLY 30S (INCL. 91-96)
23	10324H	WHEEL, 8" HEX BLACK	91	-----	STATIONARY SHEAVE
24	3548	TIRE, 18 X 9.5 - 8 KNOBBY	92	200349	BUSHING
25	1430	TUBE, 8 INCH (REPAIR ONLY)	93	-----	MOVEABLE SHEAVE
26	10881	AXLE WELDMENT HEX 42-3/16	94	-----	SHOE ASSEMBLY
27	3941H	BEARING, SEALED SPHERICAL 7/8 HEX	95	-----	HUB
28	1760	BEARING FLANGE	96	-----	DRUM
29	4662	SPACER, 1" I.D. X 4-1/4"	97	1938	SPACER, 3/4" I.D. X 3/8" LONG
30	2265	SPACER, 1" I.D. X 3/4"	98	5964	DECAL, SHIPPED W/O OIL
31	9085	NUT, 3/8-16 TOPLOCK HEX	99	9677	DECAL, WARNING HOT SURFACES
32	1119	SPACER .625ID 1.062OD .125THK Z	100	9678	DECAL, ENGINE EXHAUST
33	4660	SPACER, 1" I.D. X 4-7/16	101	9101	BOLT, 5/16-24 X .500 W/ NYLOK
34	6309	PEDAL, THROTTLE TRIMMED	102	2264	BOLT, 5/16-18 X 3/4" LONG
35	9503	SPRING, PEDAL RIGHT WOUND	103	1194	WASHER, 3/4" SAE FLAT
36	9929	RUBBER CAP .25ID X .25 BLACK	104	9060	WASHER, 5/16 FLAT
37	8251	THROTTLE CABLE 74.50 INCH	105	8227	NUT, 1/4-20 TINNERMAN
38	2748	CABLE STOP NUT	106	8188	PLATE, COVER 4XX TC BLACK
39	2666	SWIVEL SCREW	107	10537	OVERHEAD BAR WELDMENT BLACK
40	6293	PEDAL, BRAKE TRIMMED	108	10544	CENTER BAR WELDMENT BLACK
41	9502	SPRING, PEDAL LEFT WOUND	109	10541	REAR BAR WELDMENT BLACK
42	1848	BOLT, 1/4-20 X 1.25"	110	6540	DECAL, WARNING WEAR A HELMET
43	6349	BUSHING, 5/16 OD X 22G	111	10890	FOAM PACK, ORANGE
44	1389	BUSHING, 1/4 ID X .313	112	-----	
45	1447	BOLT, 3/8 X 1-1/8 SHOULDER	113	-----	
46	9091	WASHER, FLAT 3/8 SAE N	114	9758A	FOAM, 43.0 ORANGE
47	9599-2	BRAKE ROD BLACK	115	10493	PLASTIC HOSE CLAMP 1"
48	1847	BOLT, 1/4-20 X 1"	116	2037	MASTERLINK 420 CHAIN
49	9598	BRAKE CALIPER ASSEMBLY	117	K485	AXLE GUARD KIT
50	9118	PIN, CLEVIS 1/4 X 1.250 Z	118	9162	NUT, 3/4" TOPLOCK HEX
51	9116	PIN, COTTER 3/32 X .750 Z	119	5959	DRIVE BELT
52	6038	STEERING WHEEL	120	1398	WASHER, 21/64 ID X 1 1/4 X 1/8
53	9799	STOP SWITCH WIRE ASM	121	1124	WASHER, 5/16" SPLITLOCK
<b>NI</b>	1406	STOP SWITCH WIRE EXTENSION	122	8204	BOLT, 5/16-24 X 2-1/4"
54	9080	BOLT, 1/4-20 X 2.750	123	6280H	SPROCKET HUB HEX
55	9160	BOLT, 1/4-20 X .875	124	6282	SPROCKET, 420 X 54 TEETH
56	9796	BOLT, #12-24 X .500 SELF TAPPING	125	6701	BOLT 5/16-18 X 1.250 SHCS
57	10141	HEADREST ,DOUBLE	126	9511H	BRAKE DISK
58	10142	SEAT BACK/BOTTOM	127	10145	DECAL, DRIVE COVER
59	1263	NUT 5/16-18 HEX FLANGED WHIZ	<b>NI</b>	1019	CABLE TIE
60	9514	CHAIN, 420 X 62 LINKS INCL. MASTERLINK	<b>NI</b>	4350	OPERATOR'S MANUAL
61	8187	DRIVE COVER, TC/LA			<b>ASM</b> = ASSEMBLY
62	1982	PEDAL LATCH, BLACK			<b>NI</b> = NOT ILLUSTRATED
63	1846	BOLT, 1/4-20 X .750			
64	9057	NUT, 1/4-20 TOPLOCK			
65	1854	WASHER, #14 FLAT MS Z			
66	4372	HANDHOLD STRAP			

### FAST & EASY!

## ORDERING PARTS

FAST & EASY!

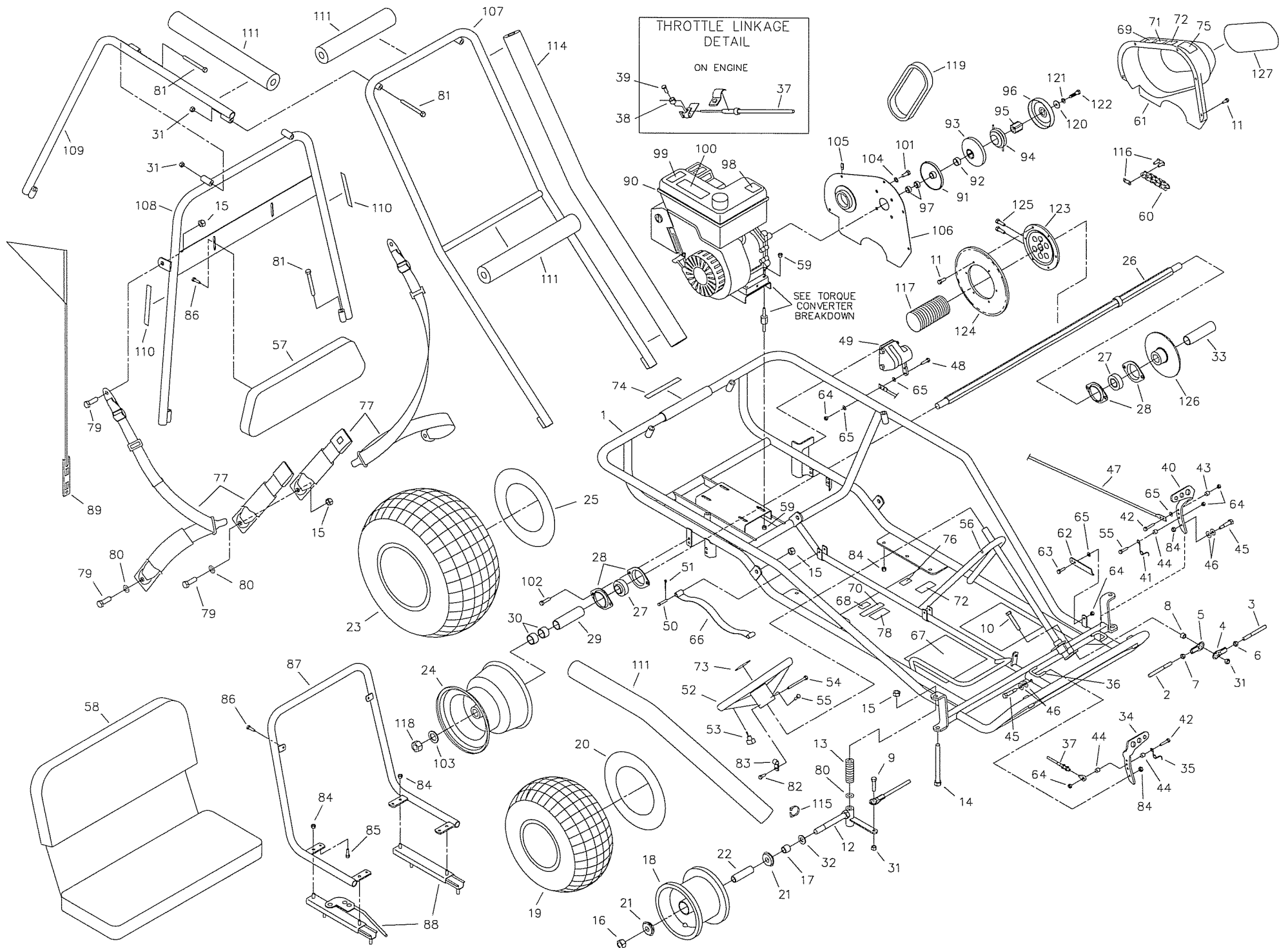
1) Seek Part(s) from your models illustrated diagram, cross over REF# to PART#

2) Type PART# into sites [Search Box] at [GoKartsRus.com](http://GoKartsRus.com) TIP! - RIGHT CLICK LINK, SELECT OPEN IN NEW TAB

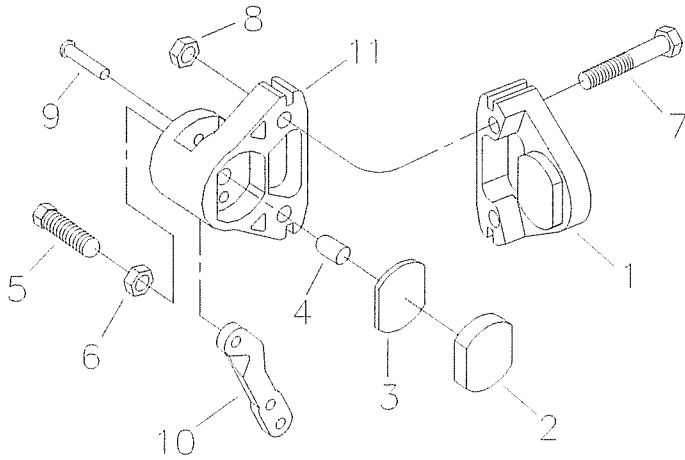
3) Add all needed parts to Shopping Cart | Complete "Checkout" |  Done!

LOWEST PRICE!

If a part does not come up in a Site Search, please [Contact Us](#) (include part# in email)

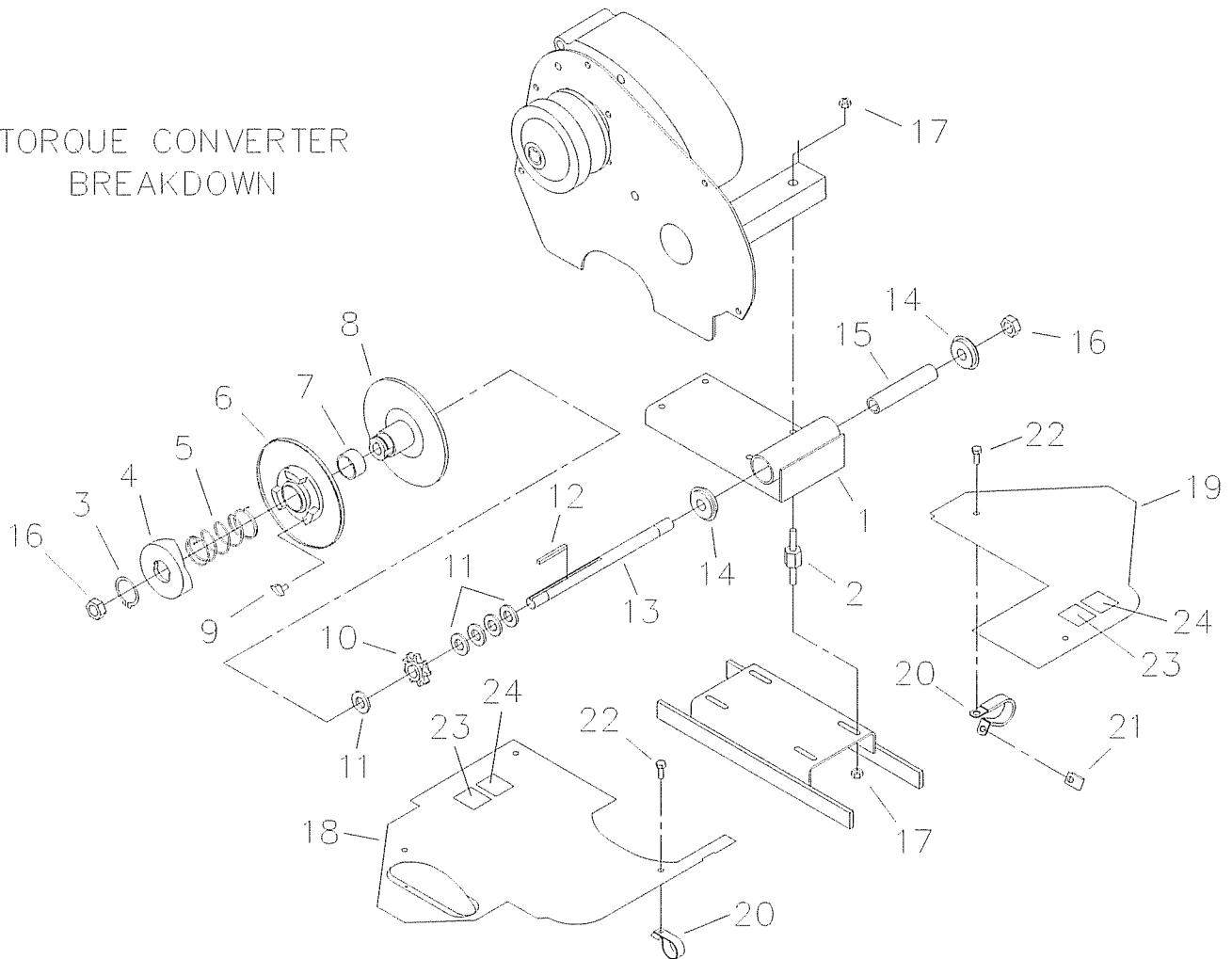


## CALIPER BREAKDOWN



REF	PART #	DESCRIPTION
ASM	8598	BRAKE CALIPER ASSEMBLY (INCL. 1-11)
ASM	9810	BRAKE PAD SERVICE KIT (INCL. 1-3)
1	----	ANVIL WITH LINING
2	----	BRAKE LINING
3	3928	BACKING PLATE
4	3930	ACTUATOR PIN
5	3931	ADJUSTOR PIN
6	3932	NUT, JAM
7	9158	BOLT, 3/8-16 X 2-1/4"
8	9085	NUT, 3/8-16 TOPLOCK HEX
ASM	6534	MB-1 SERVICE KIT (INCL. 9-11)
9	----	GROOVE PIN
10	----	LEVER
11	----	BRAKE HOUSING

## TORQUE CONVERTER BREAKDOWN



REF	PART #	DESCRIPTION
1	1110	CHASSIS WELDMENT, BLACK
2	1356	STUD ASSEMBLY
3	2477	RETAINING RING
4	----	CAM
5	6805	SPRING
6	----	MOVEABLE SHEAVE
7	----	BUSHING
8	----	STATIONARY SHEAVE
9	6804	BUTTON, NYLON
10	8720	SPROCKET, 9-TEETH INT. KEY
11	1119	SPACER, 5/8" I.D. X 1/8"
12	3403	KEY, 3/16" SQ. X 2"

REF	PART #	DESCRIPTION
13	1118	JACKSHAFT, 5/8" X 10.00
14	5090	BEARING, 5/8" I.D.
15	1116	SPANNER, 5/8" I.D. X 4-13/16"
16	1136	NUT, 5/8-18 CENTERLOCK HEX JAM
17	1263	NUT, 5/16-18 FLANGED WHIZ
18	8241	LEFT DECK COVER ASSEMBLY
19	8230	RIGHT DECK COVER
20	8266	LOOP CLIP
21	8227	NUT, 1/4-20 TINNEMAN
22	1876	BOLT, 1/4-20 X 5/8" HEX FLANGED WHIZ
23	1049	DECAL, CAUTION DRIVE COVER
24	4912	DECAL, WARNING CHAINGUARD