

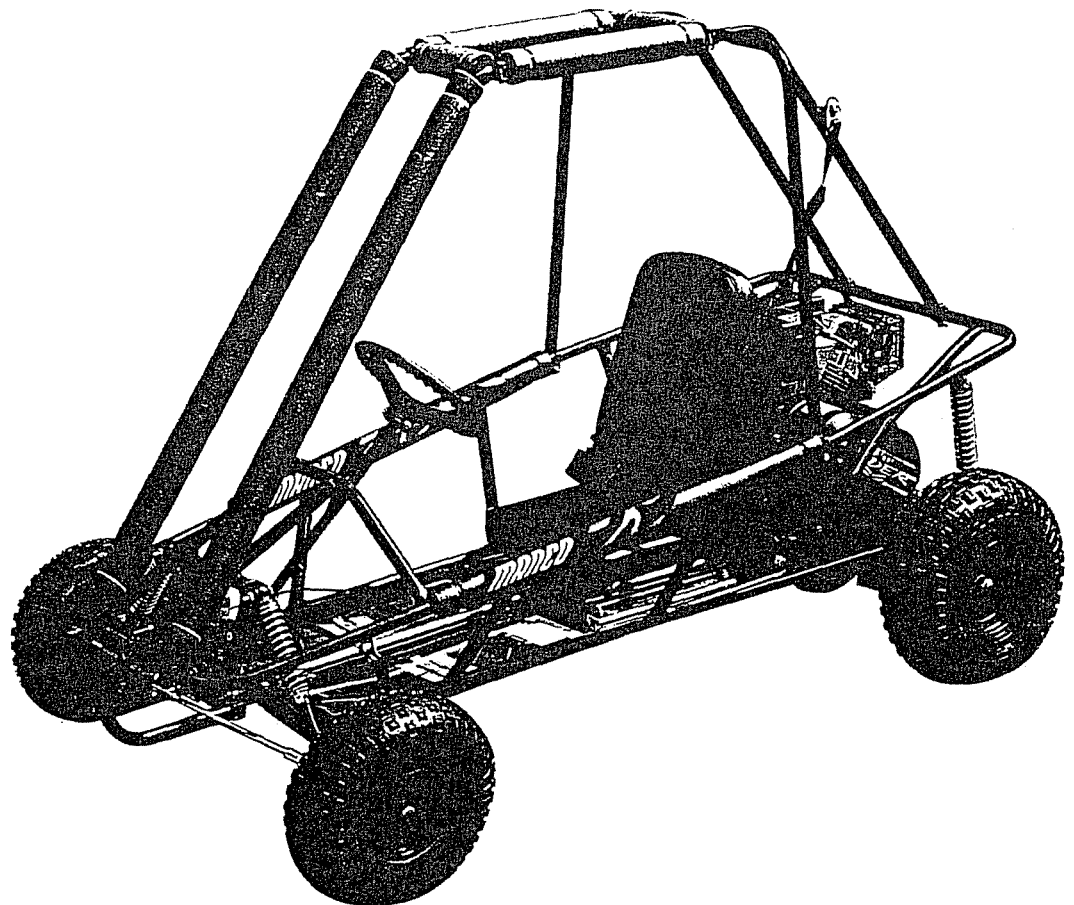
Operator's Manual SUPPLEMENT

MANCO MODEL NO.

5326

WARNING:
Read Engine
Owner's Manual,
Vehicle Operator's
Manual, and
Supplement
Carefully Before
Operating
Vehicle.

Parts List



ORDERING PARTS

FAST & EASY!

- 1) Seek Part(s) from your models illustrated diagram, cross over REF# to PART#
- 2) Type PART# into sites [Search Box] at GoKartsRus.com TIP! - RIGHT CLICK LINK, SELECT OPEN IN NEW TAB
- 3) Add all needed parts to Shopping Cart | Complete "Checkout" | ✓ Done!

If a part does not come up in a Site Search, please [Contact Us](#) (include part# in email)

LOWEST PRICES!

BEFORE OPERATING THIS VEHICLE, THE OWNER AND/OR OPERATOR MUST UNDERSTAND THE VEHICLE WAS NOT DESIGNED OR MANUFACTURED TO MEET SPECIFICATIONS FOR USE ON PUBLIC ROADS, STREETS, HIGHWAYS, OR THOROUGHFARES AND HAVE READ AND HAVE AN UNDERSTANDING OF ALL THE INSTRUCTIONS FOR SAFE ASSEMBLY AND OPERATION AS WELL AS THE INSTRUCTIONS GOVERNING THE ENGINE AND OTHER PORTIONS OF THE VEHICLE.

PARTS LIST
MODEL 5326

REF NO	PART NO	DESCRIPTION	REF NO	PART NO	DESCRIPTION
1	5521-20	FRAME BRIGHT YELLOW	52	9609	TUBE 7" (REPAIR PART ONLY)
	5521-29	FRAME ULTRAMARINE BLUE	53	K5326	AXLE GUARD REPAIR KIT
2	10156	DRIVE CHASSIS	54	2265	SPACER 1.0ID 12G 3/4
3	10157	LH SWING ARM	55	1448	SPACER 1.000ID X 12G X 3.563
4	10158	RH SWING ARM	56	1760	BEARING FLANGE
ASM	5431	TIE ROD ASM (INCL 5-9)	57	3941H	BEARING HEX"
5	1414	ROD END, RH THREAD	58	2264	BOLT 5/16-18 X .750 HHCS G5 Z
6	9092	NUT 3/8-24 JAM RH	59	9323H	AXLE HEX WDMT DICHROMATE
7	5430	TIE ROD 14"	ASM	9570H	SPROCKET ASM (INCL 60-63)
8	9024	NUT 3/8-24 JAM LH	60	9338	SPROCKET LA 420P 60T
9	1415	ROD END, LH THREAD	61	6280H	SPROCKET HUB HEX
10	9091	WASHER FLAT 3/8 SAE N	62	9006	BOLT 1/4-20 X .500 HH WF
11	9145	BOLT 3/8-16 X 1.750 HHCS G5	63	6701	BOLT 5/16-18 X 1.250 SHCS
12	9085	NUT 3/8-16 TL HEX Z	64	9511H	BRAKE DISC 6 HEX
13	9146	BOLT 3/8-16 X 1.500 HHCS G5	65	4913	SPACER 1.0ID 12G 3.0
14	2457	SPINDLE RH	66	9515	CHAIN 420 X 64P (INCL 67)
NI	2458	SPINDLE LH	67	2037	MASTERLINK #420
15	1264	BOLT 1/2-13 X 3.750 HHCS G2	68	10160	COVER RIGHT DECK
16	1012	NUT 1/2-13 TL HEX Z	69	10393	COVER LEFT DECK
17	5157	SPACER 5/8 ID X 13GA X .750	70	1876	BOLT 1/4-20 X .625 HH WF Z
18	9309FP	WHEEL ASM 6" (INCL 19-21)	71	8266	LOOP CLIP 1 INCH
19	5090	BEARING 5/8 ID W/SNAP RING	72	8227	NUT 1/4-20 CLIP
20	5950	SPANNER 5/8 ID X 2-1/8	73	1356	STUD ASM
21	4915	TIRE 145/70 X 6 KNOBBY	74	1263	NUT 5/16-18 HEX WF Z
22	3802	TUBE 6" (REPAIR PART ONLY)	75	10131	ENGINE 6HP W/ LIGHTING COIL
23	1447	BOLT 5/16-18X11/16 SHOULDER		9737	ENGINE 6HP W/O LIGHTING COIL
24	1189	NUT 5/16-18 HEX TL Z	76	9677	DECAL WARNING HOT SURFACES
25	1849	BOLT 1/4-20 X 1.500 HHCS G5 Z	77	9678	DECAL ENGINE EXHAUST IS BAD
26	1854	WASHER #14 FLAT MS Z	78	5964	DECAL SHIPPED W/O OIL
27	1436	PEDAL BRAKE	79	10392	COVER PLATE LA TC
28	1389	BUSHING .25ID X .031G X .313	80	2449	NUT TINNERMAN C7343-1420-4
29	9503	SPRING PEDAL RIGHT WOUND	81	9060	WASHER 5/16 TYPE A PLAIN SAE N
30	9057	NUT 1/4-20 TL Z	82	9101	BOLT 5/16-24 X .500 HHCS G5
31	9160	BOLT 1/4-20 X .875 HHCS NL G5 Z	84	5959	BELT 30S 203589 27.4 OC
32	1847	BOLT 1/4-20 X 1.000 HHCS G5 Z	ASM	5957	DRIVER PULLEY 30S (INCL 85-90)
33	1437	PEDAL THROTTLE	85	**	STATIONARY SHEAVE
34	9502	SPRING PEDAL LEFT WOUND	86	200349	BUSHING
35	8252	THROTTLE CABLE 61 IN (INCL 36)	87	**	MOVEABLE SHEAVE
36	9058	NUT 5/16-24 JAM	88	**	SHOE ASSEMBLY
37	10155	BRAKE ROD 46.750	89	**	HUB
38	2386	BOLT 3/8-16 X 3.500 HHCS G5 Z	90	**	DRUM
39	1398	WASHER 21/64 ID X 1 1/4 X 1/8	91	1398	WASHER 21/64 ID X 1 1/4 X 1/8
40	1449	BOLT 3/8-16 X 2.000 HHCS G5 Z	92	1124	WASHER 5/16 SL Z
41	6634	SHOCK BUSHING	93	8204	BOLT 5/16-24 X 2.250 HHCS G5 YZ
42	4561	SHOCK ABSORBER	94	9006	BOLT 1/4-20 X .500 HH WF
43	10800	STOP WIRE ASM	95	10164	COVER DRIVE LA TC FCSST
44	1406	WIRING HARNESS (FOR KARTS EQUIPPED WITH ENGINE PN 9737, REF 75, ONLY)	96	1049	DECAL CAUTION DRIVE COVER
			97	4912	DECAL WARNING CHNGRD MUST
			98	9610	DECAL TIRE PRESS 3.6 7.0
45	6038	STEERING WHEEL	99	1136	NUT 5/8-18 CL HEX JAM Z
46	9080	BOLT 1/4-20 X 2.750 HHCS G2 Z	ASM	5958	DRIVEN PULLEY 30S (INCL 100-106)
47	1046	NUT 5/8-11 TL HEX Z	100	2477	RETAINING RING
48	9162	NUT 3/4-10 HEX TL Z	101	**	CAM
49	1194	WASHER 3/4 SAE FLAT	102	6805	SPRING
50	6289PH	WHEEL ASM 7" KNOBBY	103	6804	BUTTON NYLON
51	9607	TIRE 16 X 8 -7" KNOBBY	104	**	MOVEABLE SHEAVE

PARTS LIST
MODEL 5326

REF NO	PART NO	DESCRIPTION
105	**	BUSHING
106	**	STATIONARY SHEAVE
107	1119	SPACER .625ID 1.062OD .125THK Z
108	1125S	SPROCKET DR 420P 9T .625"ID
109	1031	KEY 3/16SQ X .500L
110	3403	KEY 3/16SQ X 2.000
111	1118	JACKSHAFT 5/8 X 10.000
112	5090	BEARING W/ SNAP RING
113	1110	CHASSIS WDMT-GBLK
114	1116	SPANNER .625 X 11G X 4.188
115	1469	WASHER .625ID 1.062OD .062THK Z
ASM	10335	BRAKE CALIPER (INCL 116-126)
ASM	9810	BRAKE PAD SVC KIT (INCL 116-118)
116	**	ANVIL W/LINING
117	**	BRAKE LINING
118	3928	BACKING PLATE
119	3930	ACTUATOR PIN
120	3931	ADJUSTER PIN
121	3932	NUT JAM
122	9158	BOLT 3/8-16 X 2.250 HHCS
123	9085	NUT 3/8-16 TL HEX Z
ASM	6534	MB-1 SERVICE KIT (INCL 124-126)
124	**	GROOVE PIN
125	**	LEVER
126	**	BRAKE HOUSING
127	5407-2	SEAT FRAME SGL GBLK
128	5159	SEAT BACK
129	5557	SEAT BOTTOM NO WINGS
130	8655	SEAT SLIDE PAIR - 80X
131	5408-2	OVERHEAD BAR RH GBLK
132	5409-2	OVERHEAD BAR LH GBLK
133	5411-2	CROSS BAR GBLK
134	5461	SEAT BELT SHOULDER/LAP 81"
135	5447	SAFETY FLAG - 6FT
136	9188	BOLT 1/2-13 X 1.50 HHCS G5 Z

REF NO	PART NO	DESCRIPTION
137	9022	WASHER 1/2 STD FLAT Z
ASM	10273	RUNNING LIGHT ASM (INCL 138) (FOR KARTS EQUIPPED WITH ENGINE PN 10131, REF 75, ONLY)
138	10184	RUNNING LIGHTS (FOR KARTS EQUIPPED WITH ENGINE PN 10131, REF 75, ONLY)
NI	4350AV	OPERATORS MANUAL
NI	6540	DECAL WARNING WEAR A HELMET
NI	8138	DECAL WARNING LONG HAIR
NI	8154	DECAL NO CHILD UNDER 12 YRS
NI	8746	SAFETY VIDEO
NI	9679	DECAL NO RIDERS ALLOWED

MODEL SPECIFIC GRAPHICS

MODEL 5326-00 ONLY

NI	10873	DECAL PAN
NI	10875	DECAL TC COVER
NI	10908	FOAM PACK (INCL ARM PAD COVERS PN 10878)
NI	10878	ARM PAD COVERS
NI	9758L	FOAM BLUE 66.0

MODEL 5326-06 ONLY

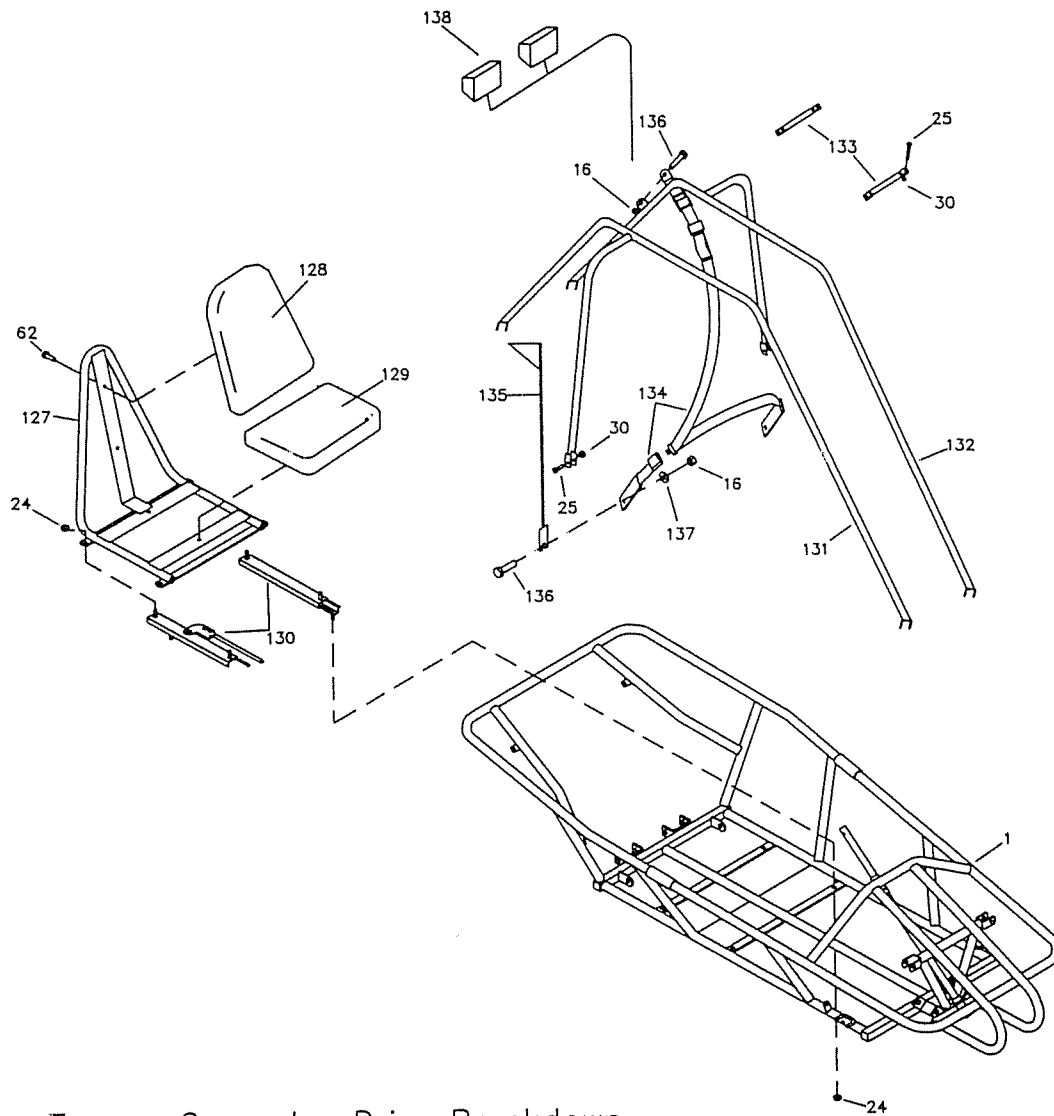
NI	10797	DECAL PAN
NI	9499	DECAL TC COVER
NI	9498	DECAL STEERING WHEEL
NI	10042	FOAM PACK
NI	9757	FOAM BLACK 60.0

ASM - ASSEMBLY

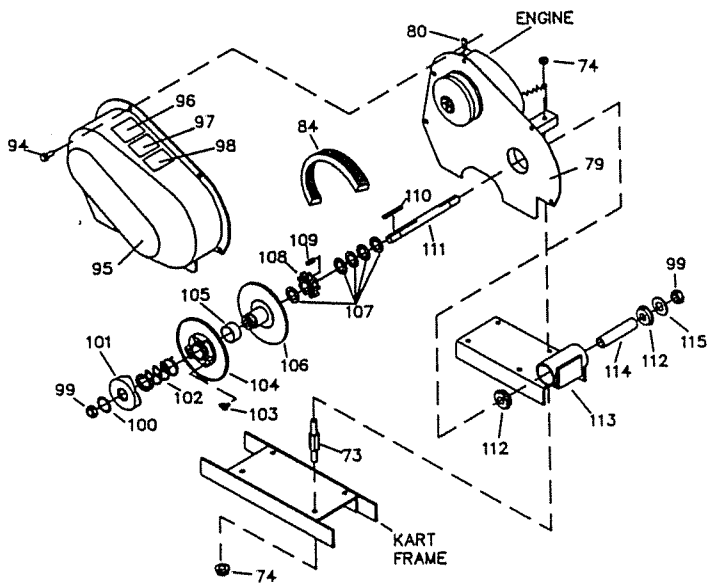
NI - NOT ILLUSTRATED

** - NOT SOLD SEPERATELY

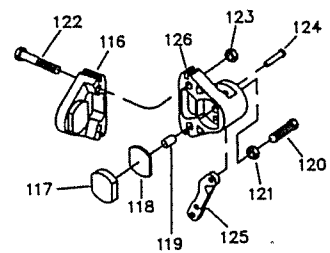
*



Torque Converter Drive Breakdown



Brake Caliper Breakdown



Orientation of lever and hardware may vary.

