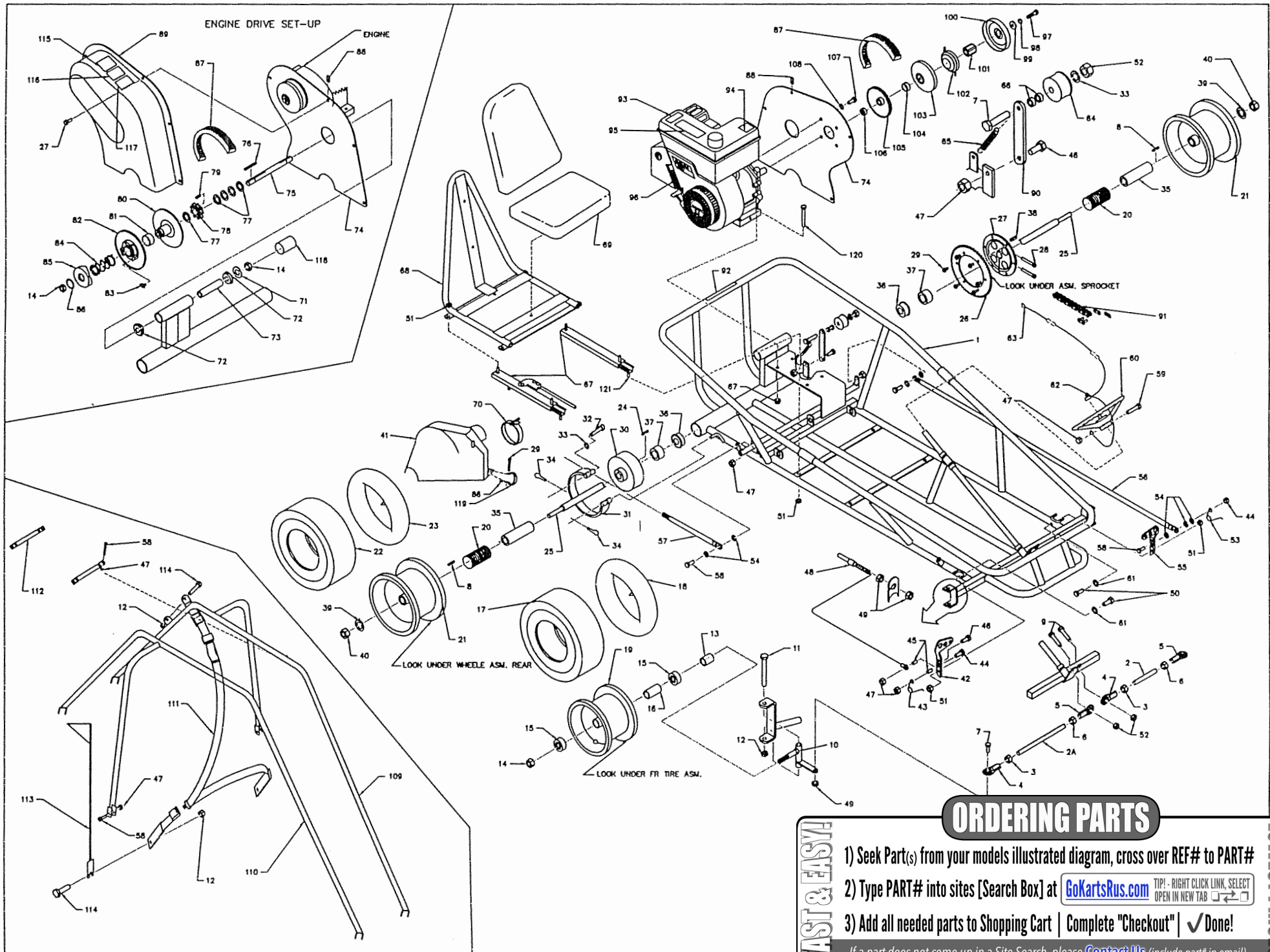


YELLOW JACKET

BTS 5406-00 / BTD 5416-00

1.	5450-5	FRAME-RED(MODEL 5406)	41.	5529	BRAKE COVER	89.	5530	DRIVE COVER
	5484-5	FRAME-YEL(MODEL 5416)	42.	1437	PEDAL THROTTLE	90.	10293	LEVER
ASM	6982	TIE ROD (MODEL 5406)	NI	6309	PEDAL THROTTLE(5416)	91.	9515	CHAIN 420 X 64P
		(2A-6) BOTH SIDES	43.	9502	SPRING LEFT WOUND	92.	9679	DECAL NO RIDERS
ASM	5468	TIE ROD (MODEL 5416)	44.	9160	BOLT ¼-20 X 7/8 HHCS	93.	9677	DECAL WARNING HOT
		LONG (2A-6)	45.	1389	BUSHING 1/4ID X 5/16	94.	5964	DECAL SHIPPED W/ O OIL
ASM	5469	TIE ROD (MODEL 5416)	46.	1847	BOLT ¼-20 X 1"	95.	9678	DECAL ENGINE EXH.
		SHORT (2-6)	47.	9057	NUT ¼-20 T/LOCK	96.	5533	ENGINE 6.0
2..	5509	TIE ROD 8.5(MODEL 5406)	48.	8251	THROTTLE CABLE 74.5 "	ASM.	5958	DRIVER, PUL.(100-105)
2A.	6981	TIE ROD 14.5(MODEL5416)	49.	2748	NUT 5/16-24 JAM	97.	1454	BOLT 5/16-24 X 1-¼
NI	5510	TIE ROD (MODEL 5406)	50.	1447	BOLT 5/16-18X11/ 16 THD	98.	1124	WASHER 5/16 SL
3.	9092	NUT 3/8-24 HEX RH. JAM	51.	1189	NUT 5/16-18T/LOCK	99.	9060	WASHER 5/16 FLAT
4.	1414	TIE ROD END RH	52.	9085	NUT 3/8-16 TOP LOCK	100.	*	DRUM
5.	1415	TIE ROD END LH	53.	9503	SPRING RIGHT WOUND	101.	*	HUB
6.	9024	NUT 3/8-24 HEX LH JAM	54.	1854	WASHER #14 FLAT	102.	*	SHOE ASSEMBLY
7.	9145	BOLT 3/8-16 X 1-3/4	55.	1436	BRAKE PEDAL	103.	*	MOVE/SHEAVE BUSHING
8.	6123	KEY ¼ - SQ. 1-3/4	56.	10287	BRAKE ROD 44-3/4	104.	*	BUSHING
9.	9146	BOLT 3/8-16 X 1-1/2	57.	5460	BRAKE ROD 7-3/8	105.	*	STAY SHEAVE BUSHING
10.	5451	SPINDLE (BOTH SIDES)	58.	1849	BOLT ¼ -20 X 1-1/2	106.	1938	SPACER ¼ ID X .375
11.	1264	BOLT ½ -13 X 3-3/4	59.	9080	BOLT ¼-20 X 2-¾	107.	9109	BOLT 5/ 16 -24 X ½ HHCS
12.	1012	NUT ½-13 T/LOCK	60.	5423	STEERING WHEEL	108.	1079	WASHER 5/16
13.	5157	SPACERS/8 ID X .750	61.	1124	WASHER 5/16	109.	5408	OVER HEAD BAR LH-5406
14.	1046	NUT 5/8-11 T/ LOCK	62.	1406	WIRING HARNESS	NI.	10280	OVER HEAD BAR LH-5416
ASM	9309FP	WHEEL 6" (# 15-17,19)	63.	5422	STOP WIRE	110.	5409-2	OVER HEAD BAR RH-5406
15.	5090	BEARING 5/8 ID	64.	8567	IDLER PULLEY	NI.	10281	OVER HEAD BAR RH-5416
16.	6788	SPACER ¼ ID. X 3/8	65.	4365	SPRING EXTENSION	111.	5461-2	SEAT BELT
17.	4915	TIRE 145/70 X 6"	66.	9674	SPACER 3/8 OD X 3/8	NI.	8373	SEAT BELT FOR (5416)
18.	3802	TUBE 6" (REPAIR PART)	67.	8655	SEAT SLIDE PAIR	112.	5411-2	CROSS BAR
19.	4927	RIM 6" (REPAIR PART)	68.	5407	SINGLE SEAT FRAME	113.	5447	SAFETY FLAG
20.	G0568	LOOM 5-11/16	NI	5438	DOUBLE SEAT FRAME	114.	9188	BOLT/2 -113 X 1 ½
ASM	5429	WHEEL 8" (# 21-22)	69.	5424	SEAT PAD	115.	6958	DECAL TIRE PRESS.
21.	10324	RIM 8" (REPAIR PART)	NI	5463	DOUBLE SEAT PAD / BTD	116.	4912	DECAL W/ CHAIN GUARD
22.	3548	TIRE 18/9.5 X8	70.	5418	CLAMP 2.1/2 ID HOSE	117.	1049	DECAL DRIVE COVER
23.	1430	TUBE 8" (REPAIR PART)	71.	1119	WASHER 5/8	118.	10292	COVER JACKSHAFT
24.	3712	KEY ¼ SQ. X 1"	72.	5090	BEARING 5/8	119.	8826	LOOP CLIP
25.	5545	AXLE	73.	6788	SPANNER	120.	6573	BOLT 5/16-18 X 1-3/4
ASM	6420	SPROCKET (# 26-29)	74.	5531	BACK PLATE	121.	2264	BOLT 5/16-18 X 3/4
26.	6282	SPROCKET 420P X 54T	75.	8219 \$	JACKSHAFT	NI.	10042	FOAM PACK.
27.	6280	SPROCKET HUB	76.	3403	KEY 3/16 SQ. X 2"	NI	4350AV	OPERATORS MANUAL.
28.	6701	BOLT 5/16-18 X 1-¼	77.	1119	SPACER 5/8 ID	NI	9233R2	ADDENDUM BRAKE/TAV
29.	9006	BOLT ¼ -20 X ½	78.	1125S	SPROCKET DR 420P 9T	NI	9283R3	ADDENDUM SEAT BELTS
30.	2417	BRAKE DRUM	79.	1031	KEY 3/16 SQ. X ½	NI	5405	YJ 8" ROUND
31.	2513	BRAKE BAND	ASM	5958	DRIVEN PULL. (80-86)	NI	8138	DECAL LONG HAIR
32.	9118	PIN CLEVIS	80.	*	STATIONARY SHEAVE	NI	5404	DECAL WARN YELLOW
33.	9091	WASHER FLAT 3/8	81.	*	BUSHING	NI	6540	DECAL WARN HELMET
34.	9116	PIN COTTER	82.	*	MOVEABLE SHEAVE	NI	8154	DECAL CHILD UNDER 12
35.	1448	SPACER 1" 3-9/16	83.	*	BUTTON NYLON	NI	9678	NO RIDERS
36.	5414	BEARING 2" W/F	84.	*	SPRING			
37.	2265	SPACER 1" X ¼	85.	*	CAM	ASM	=	ASSEMBLY
38.	10279	KEY 1/4 X .3/8	86.	*	RETAINING RING	*	=	NOT SOLD SEPARATELY
39.	1194	WASHER ¼ FLAT	87.	5959	BELT	NI	=	NOT ILLUSTRATED
40.	9162	NUT ¼ -10 T/ LOCK	88.	8227	NUT (CLIP)			



ORDERING PARTS

FAST & EASY!

- 1) Seek Part(s) from your models illustrated diagram, cross over REF# to PART#
- 2) Type PART# into sites [Search Box] at GoKartsRus.com TIP! - RIGHT CLICK LINK, SELECT OPEN IN NEW TAB
- 3) Add all needed parts to Shopping Cart | Complete "Checkout" | Done!

If a part does not come up in a Site Search, please [Contact Us](#) (include part# in email)

DIYEST PROFS!