

Operator's Manual SUPPLEMENT

Model No.
606B

⚠ WARNING:

Read Engine Owner's Manual, Vehicle Operator's Manual, and Supplement Carefully Before Operating Vehicle.

Parts List



ORDERING PARTS

FAST & EASY!

- 1) Seek Part(s) from your models illustrated diagram, cross over REF# to PART#
- 2) Type PART# into sites [Search Box] at GoKartsRus.com TIP! - RIGHT CLICK LINK, SELECT OPEN IN NEW TAB
- 3) Add all needed parts to Shopping Cart | Complete "Checkout" | ✓ Done!

If a part does not come up in a Site Search, please [Contact Us](#) (include part# in email)

LOWEST PRICES!

THIS VEHICLE IS FOR OFF-ROAD USE ONLY

BEFORE OPERATING THIS VEHICLE, THE OWNER AND/OR OPERATOR MUST UNDERSTAND THE VEHICLE WAS NOT DESIGNED OR MANUFACTURED TO MEET SPECIFICATIONS FOR USE ON STREETS, HIGHWAYS, OR THOROUGHFARES AND HAVE READ AND HAVE AN UNDERSTANDING OF ALL THE INSTRUCTIONS FOR SAFE ASSEMBLY AND OPERATION AS WELL AS THE INSTRUCTIONS GOVERNING THE ENGINE AND OTHER PORTIONS OF THE VEHICLE.

PARTS LIST MODEL 6XX

REF NO	PART NO	DESCRIPTION	REF NO	PART NO	DESCRIPTION
1	12617-40	FRAME 6XX SPARKLE SILVER	54	9145	BOLT 3/8-16 X 1.750 HHCS G5 Z
	12617-37	FRAME 6XX RED WAGON	55	9597	BRAKE CALIPER MB1
2	12628-2Z	SWING ARM - REAR GBLK	56	12496	STEERING WHEEL
3	12564-40Z	SWING ARM FRONT SILVER	NI	12481	STEERING WHEEL DECORATIVE CAP
	12564-37Z	SWING ARM FRONT RED WAGON	57	9103	BOLT 1/4-20 X 2.000 HHCS G2 Z
4	12623-2	OVERHEAD BAR WELDMENT BLACK	58	9057	NUT 1/4-20 TL Z
5	12554-2	CENTER BAR WELDMENT BLACK	59	6511	CHAIN 420 X 66 INCLUDES M.LINK
6	12550-2	SEAT FRAME 6XXB GBLK	60	2037	MASTER LINK #420
7	9022	WASHER 1/2 STD FLAT Z	61	10381	WH ASM 8IN 18X950 KN
8	9188	BOLT 1/2-13 X 1.50 HHCS G5 Z	62	3548K	TIRE 18/9.50-8 KNOBBY
9	1012	NUT 1/2-13 TL HEX Z	63	1430	TUBE 8" (REPAIR PART ONLY)
10	1264	BOLT 1/2-13 X 3.750 HHCS G2 Z	64	G0631	LOOM 6.312 L 1.625 ID
11	10834	BOLT 1/2-13 X 7.000 HHCS G5 Z	65	9674-16	SPACER 3/8 ID X 3/8 L ZINC PLTD
12	1104	SPACER SPLIT .812OD .625ID 1.000L	66	0100	BOLT 1/4-20 X .875 HH WF Z - 13/17
13	12611-2	STEERING PIVOT	67	8227	NUT 1/4-20 CLIP
14	1046	NUT 5/8-11 TL HEX Z	68	8266	LOOP CLIP 1.00 ID
15	12141	BOLT SHOULDER 1/2X1.875	69	1876	BOLT 1/4-20 X .625 HH WF Z
17	12490	WHEEL ASM 6" (INCL 18-20)	70	11824	NUT TINNEMAN 2372-04
18	5090	BEARING 5/8 ID 1-3/8 OD	71	2449	NUT TINNEMAN C7343-1420-4
19	5950	SPANNER 5/8 ID X 2-1/8	72	12635	COVER TOP
20	4915C	TIRE 145/70 X 6 KNOBBY	73	12259	COVER BOTTOM
21	3802	TUBE 6" (REPAIR PART ONLY)	74	11776	TAV COVER
22	12497-2Z	SPINDLE 6XX GBLK W/ZERK	75	9929	RUBBER CAP .25ID X .25 BLACK
23	5431	TIE ROD ASSM. 13.25	76	8778	HARNES LAP SHOULDER REST
NI	12655	TIE ROD ASSM. 6XX SHORT	77	4561	SHOCK ABSORBER
25	1414	ROD END, RH THREAD	78	9190	BOLT 3/8-16 X 3.250 HHCS G5 Z
26	9092	NUT 3/8-24 JAM RH	79	9085	NUT 3/8-16 TL HEX Z
27	12654	TIE ROD 4" (INCL. IN 12655)	80	1263	NUT 5/16-18 HEX WF Z
28	5430	TIE ROD 13.25"	NI	11330	DECAL SHEET-WARNINGS (LARGE)
29	9024	NUT 3/8-24 JAM LH	NI	11329	DECAL SHEET-WARNINGS (SMALL)
30	1415	ROD END, LH THREAD	85	2388	NUT 3/8-24 HEX Z
31	6452	BOLT 3/8-16 X 5.00 HHCS G5 Z	86	12762	BOLT SHOULDER 1/2 X 1-1/2
32	9146	BOLT 3/8-16 X 1.500 HHCS G5 Z	87	12634	SEAT 606
33	6293-16	BRAKE PEDAL - ZINC PLTD	91	9006	BOLT 1/4-20 X .500 HH WF
34	6309-16	THROTTLE PEDAL - ZINC PLTD	92	12323	STOP SWITCH WIRE
35	1189	NUT 5/16-18 HEX TL Z	93	12459	STOP SWITCH WIRE ASM
36	6734	SEAT SLIDE PAIR	94	1982-2	PEDAL LATCH GBLK
37	9176	BOLT 5/16-18 X 1.000 HHCS G5 Z	100	12638	PANEL 606 RH SIDE
38	1447	BOLT 5/16-18X11/16THD SHOULDER	NI	12637	PANEL 606 LH SIDE
39	9091	WASHER FLAT 3/8 SAE N	105	12249	ENGINE - 6.5HP OHC
40	9160	BOLT 1/4-20 X .875 HHCS NL G5 Z	ASM	5957	DRIVER PULLEY 30S 217429
41	1848	BOLT 1/4-20 X 1.250 HHCS G5 Z			(INCL 107 - 112)
42	6349	BUSHING 5/16 OD X 22G	107	**	STATIONARY SHEAVE
43	1846	BOLT 1/4-20 X .750 HHCS G5 Z	108	200349	BUSHING
44	1847	BOLT 1/4-20 X 1.000 HHCS G5 Z	109	**	MOVEABLE SHEAVE
45	1389	BUSHING .25ID X .031G X .313	110	**	SHOE ASSEMBLY
46	9502	LEFT WOUND PEDAL SPRING	111	**	HUB
47	9503	RIGHT WOUND PEDAL SPRING	112	**	DRUM
48	1854	WASHER NBR 14 FLAT MS Z	ASM	5958	DRIVEN PULLEY 30S 217610
49	8251	THROTTLE CABLE 74.5 IN			(INCL 114 - 120)
50	9058	NUT 5/16-24 JAM	114	2477	RETAINING RING
51	12347	SWIVEL SCREW	115	**	CAM
52	12348	RETURN SPRING	116	8605	SPRING
53	12636-2	BRAKE ROD 606	117	6804	BUTTON NYLON

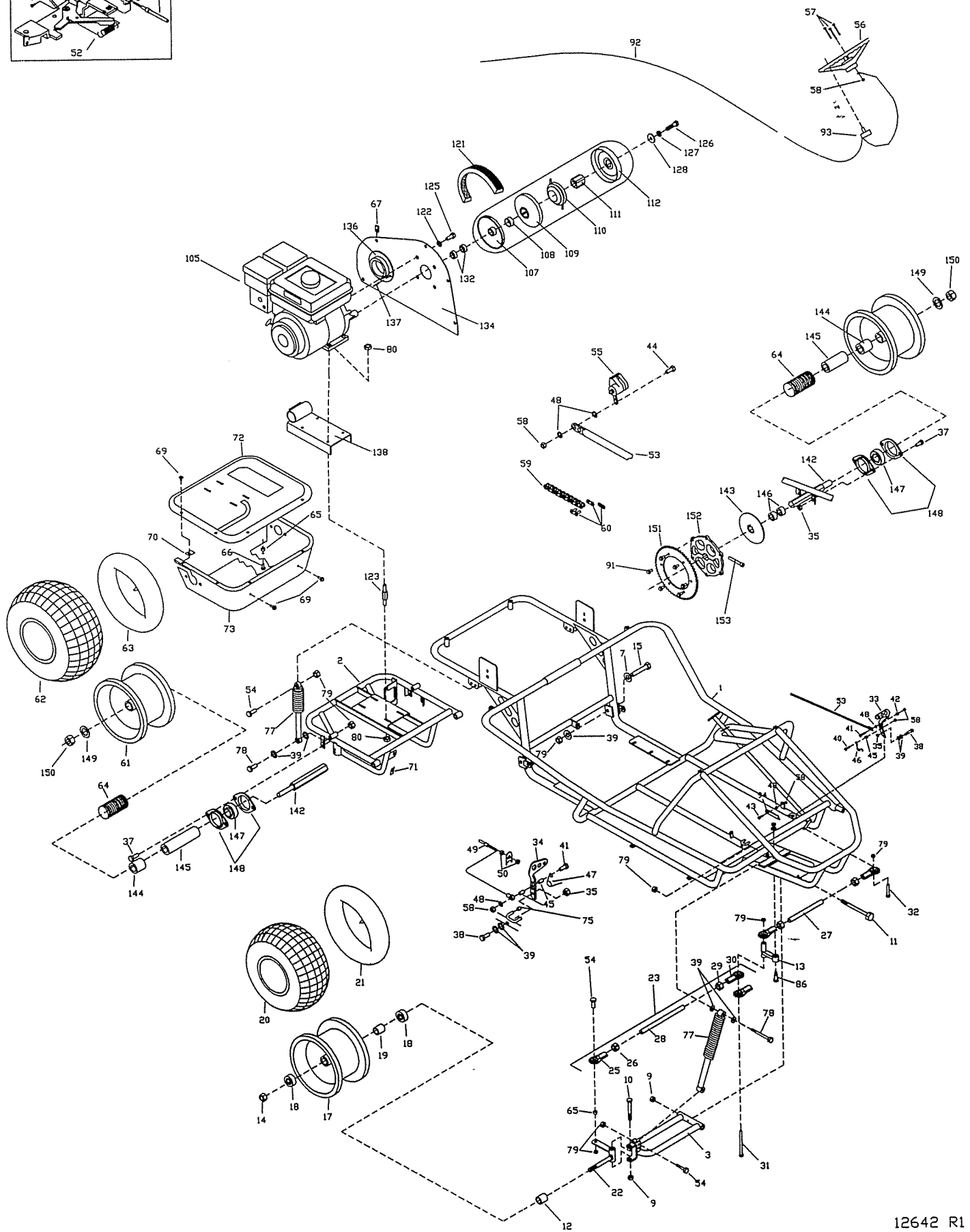
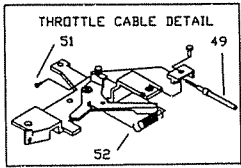
PARTS LIST MODEL 6XX

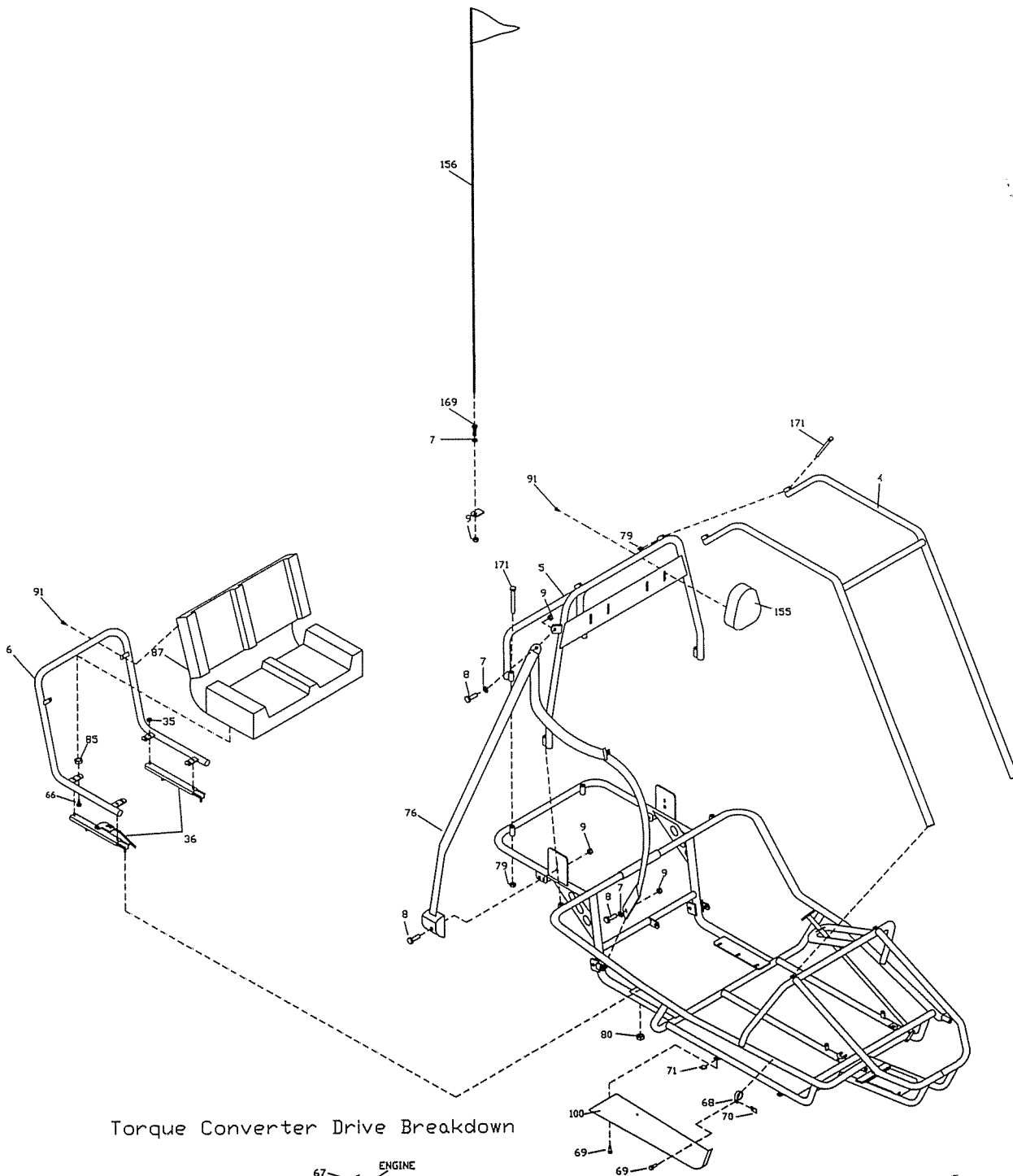
REF NO	PART NO	DESCRIPTION	REF NO	PART NO	DESCRIPTION
118	**	BUSHING	145	6783-16	SPACER 1.000ID 12G 4.125L
119	**	STATIONARY SHEAVE	146	2265-16	SPACER 1.000ID 12G .750L ZINC
120	**	MOVEABLE SHEAVE	147	3941H	BEARING PRECISION,SEAL .875HEX
121	5959	BELT 30S 203589 27.4 OC	148	6617	BRG FLNG-HEAVY YELLOW
122	9060	WASHER 5/16 TYPE A PLAIN SAE	149	1194	WASHER 3/4 SAE FLAT
123	1356	STUD ASM	150	9162	NUT 3/4-10 HEX TL Z
124	1136	NUT 5/8-18 CL HEX JAM Z	151	9338	SPROCKET LA 420P 60T
125	9101	BOLT 5/16-24 X .500 HHCS G5 NL	152	6280H	SPROCKET HUB HEX
126	8204	BOLT 5/16-24 X 2.250 HHCS G5 YZ	153	6701	BOLT 5/16-18 X 1.250 SHCS
127	1124	WASHER 5/16 SL Z	155	6320	HEADREST SGL PLAIN
128	1398	WASHER 21/64 ID X 1 1/4 X 1/8	156	5447	SAFETY FLAG - 6FT
129	8720	SPROCKET 420P 9T INTEGRAL KEY	158	9810	BRAKE PAD SVC KIT (INCL 159-161)
130	3403	KEY 3/16SQ X 2.000	159	**	ANVIL W/LINING
131	1119	SPACER .625ID 1.062OD .125THK Z	160	**	BRAKE LINING
132	1938	SPACER .75ID 11GA .375 ZI	161	3928	BACKING PLATE
133	11808	CAP VINYL 1.5 ID 1.5LG .06 BLK	162	3930	ACTUATOR PIN
134	11775-2	PLATE COVER GBLK	163	3931	ADJUSTER PIN
136	8231	COVER PLATE EXTENSION	164	3932	NUT JAM
137	8258	RIVET AL/AL .25GRIP .125DIA	165	9158	BOLT 3/8-16 X 2.250 HHCS
138	11806-2	CHASSIS WLDMNT BLK	ASM	6534	MB-1 SERVICE KIT (INCL 166-168)
139	10342	SPANNER 5/8ID X 14G X 5.125	166	**	GROOVE PIN
140	2777	JACKSHAFT 5/8 X 10.812	167	**	LEVER
141	1469	WASHER .625ID 1.062OD .062THK Z	168	**	BRAKE HOUSING
142	11797H-16	AXLE HEX WDMT- ZINC PLTD	169	11361	BOLT - FLAG MTG
143	9511H	BRAKE DISC 6 HEX	171	2386	BOLT 3/8-16 X 3.500 HHCS G5 Z
144	5222-16	SPACER 1.000ID X 1.2500D X 1.250L			

ASM – ASSEMBLY

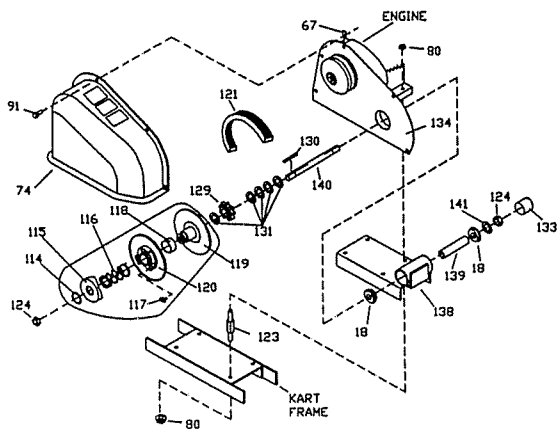
NI – NOT ILLUSTRATED

****** - NOT SOLD SEPERATELY

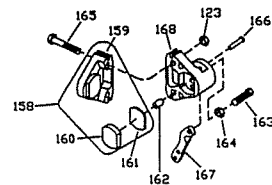




Torque Converter Drive Breakdown



Brake Caliper Breakdown



Orientation of lever and hardware may vary.