

Operator's Manual SUPPLEMENT

Model No.
606B/607C

⚠ WARNING:

Read Engine
Owner's Manual,
Vehicle Operator's
Manual, and
Supplement
Carefully Before
Operating Vehicle.

Parts List



ORDERING PARTS

FAST & EASY!

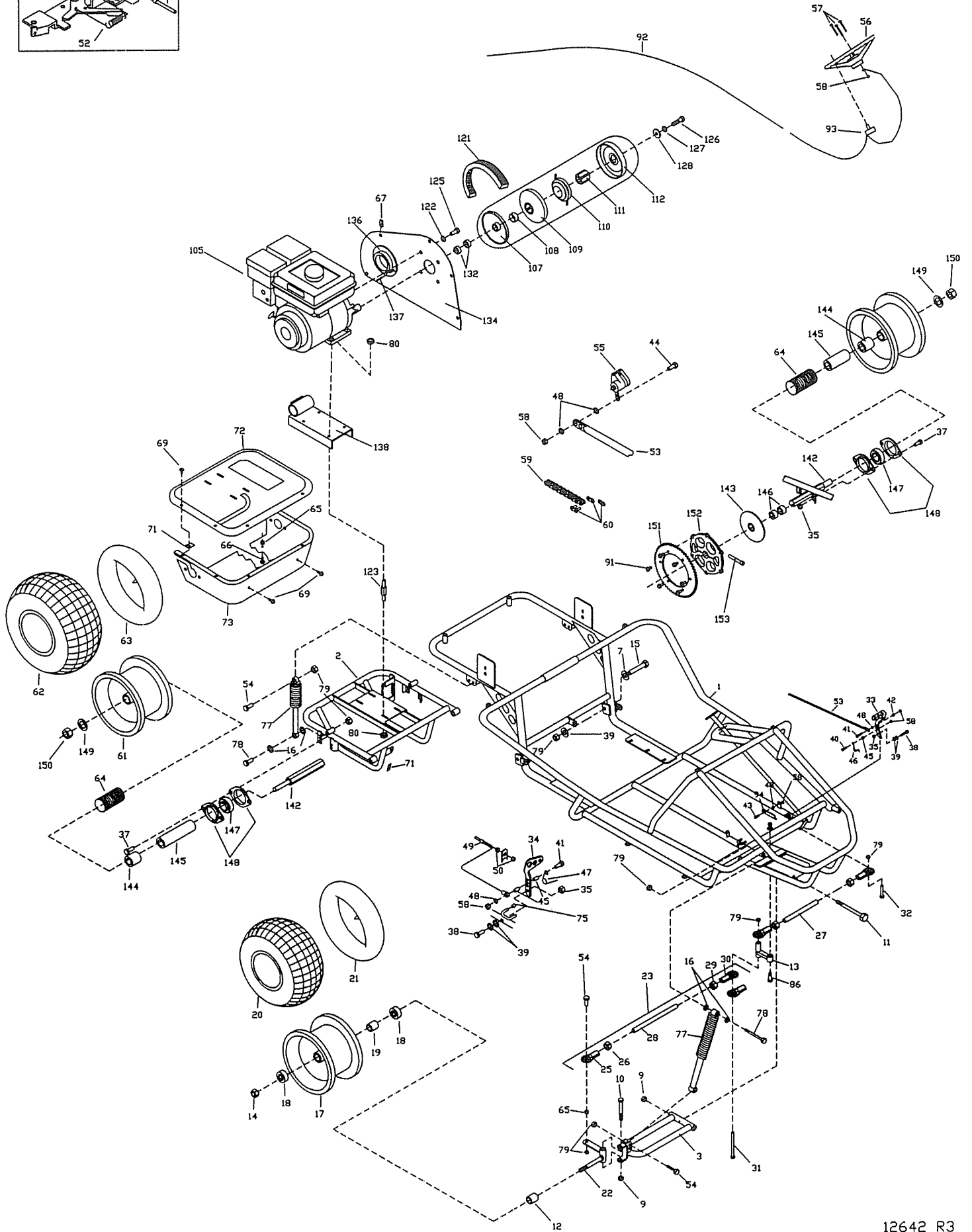
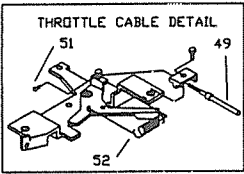
- 1) Seek Part(s) from your models illustrated diagram, cross over REF# to PART#
- 2) Type PART# into sites [Search Box] at GoKartsRus.com TIP! - RIGHT CLICK LINK, SELECT OPEN IN NEW TAB
- 3) Add all needed parts to Shopping Cart | Complete "Checkout" | ✓ Done!

If a part does not come up in a Site Search, please [Contact Us](#) (include part# in email)

LOWEST PRICES!

THIS VEHICLE IS FOR OFF-ROAD USE ONLY

BEFORE OPERATING THIS VEHICLE, THE OWNER AND/OR OPERATOR MUST UNDERSTAND THE VEHICLE WAS NOT DESIGNED OR MANUFACTURED TO MEET SPECIFICATIONS FOR USE ON STREETS, HIGHWAYS, OR THOROUGHFARES AND HAVE READ AND HAVE AN UNDERSTANDING OF ALL THE INSTRUCTIONS FOR SAFE ASSEMBLY AND OPERATION AS WELL AS THE INSTRUCTIONS GOVERNING THE ENGINE AND OTHER PORTIONS OF THE VEHICLE.



PARTS LIST MODEL 6XX

REF NO	PART NO	DESCRIPTION	REF NO	PART NO	DESCRIPTION
1	12617-40	FRAME 6XX SPARKLE SILVER	53	12636-2	BRAKE ROD 606
	12617-43	FRAME 6XX BUTTERCUP	54	9145	BOLT 3/8-16 X 1.750 HHCS G5 Z
2	12628-2Z	SWING ARM - REAR G.BLACK	55	9597	BRAKE CALIPER MB1
3	12564-2Z	SWINGARM WDMT G.BLACK	56	12496	STEERING WHEEL
4	12623-2	OVERHEAD BAR WELDMENT BLACK	NI	12481	STEERING WHEEL DECORATIVE CAP
5	12554-2	CENTER BAR WELDMENT BLACK	57	9103	BOLT 1/4-20 X 2.000 HHCS G2 Z
6	12550-2	SEAT FRAME G. BLACK	58	9057	NUT 1/4-20 TL Z
7	9022	WASHER 1/2 STD FLAT Z	59	6511	CHAIN 420 X 66 INCLUDES M.LINK
8	9188	BOLT 1/2-13 X 1.50 HHCS G5 Z	60	2037	MASTER LINK #420
9	1012	NUT 1/2-13 TL HEX Z	61	10381	WH ASM 8IN 18X950 KN
10	1264	BOLT 1/2-13 X 3.750 HHCS G2 Z	62	3548K	TIRE 18/9.50-8 KNOBBY
11	10834	BOLT 1/2-13 X 7.000 HHCS G5 Z	63	1430	TUBE 8" (REPAIR PART ONLY)
12	1104	SPACER SPLIT .812OD .625ID 1.000L	64	G0631	LOOM 6.312 L 1.625 ID
13	12611-2	STEERING PIVOT	65	9674-16	SPACER 3/8 ID X 3/8 L ZINC PLTD
14	1046	NUT 5/8-11 TL HEX Z	66	1847	BOLT 1/4-20 X 1.00 HHCS G5 Z
15	12141	BOLT SHOULDER 1/2X1.875	67	8227	NUT 1/4-20 CLIP
16	9125	WASHER FLAT 3/8 USS W	68	8266	LOOP CLIP 1.00 ID
17	12490	WHEEL ASM 6" (INCL 18-20)	69	1876	BOLT 1/4-20 X .625 HH WF Z
18	5090	BEARING 5/8 ID 1-3/8 OD	70	---	
19	5950	SPANNER 5/8 ID X 2-1/8	71	2449	NUT TINNEMAN C7343-1420-4
20	4915C	TIRE 145/70 X 6 KNOBBY	72	12635	COVER TOP
21	3802	TUBE 6" (REPAIR PART ONLY)	73	12259	COVER BOTTOM
22	12497-2Z	SPINDLE 6XX GBLK W/ZERK	74	11776	TAV COVER
23	5431	TIE ROD ASSM. 13.25	75	9929	RUBBER CAP .25ID X .25 BLACK
NI	12655	TIE ROD ASSM. 6XX SHORT	76	8778	HARNESS LAP SHOULDER REST
25	1414	ROD END, RH THREAD	77	4561	SHOCK ABSORBER
26	9092	NUT 3/8-24 JAM RH	78	9190	BOLT 3/8-16 X 3.250 HHCS G5 Z
27	12654	TIE ROD 4" (INCL. IN 12655)	79	9085	NUT 3/8-16 TL HEX Z
28	5430	TIE ROD 13.25"	80	1263	NUT 5/16-18 HEX WF Z
29	9024	NUT 3/8-24 JAM LH	NI	11330	DECAL SHEET-WARNINGS (LARGE)
30	1415	ROD END, LH THREAD	NI	11329	DECAL SHEET-WARNINGS (SMALL)
31	6452	BOLT 3/8-16 X 5.00 HHCS G5 Z	85	2388	NUT 3/8-24 HEX Z
32	9146	BOLT 3/8-16 X 1.500 HHCS G5 Z	86	12762	BOLT SHOULDER 1/2 X 1-1/2
33	6293-16	BRAKE PEDAL - ZINC PLTD	87	12634	SEAT 606
34	6309-16	THROTTLE PEDAL - ZINC PLTD	91	9006	BOLT 1/4-20 X .500 HH WF
35	1189	NUT 5/16-18 HEX TL Z	92	12323	STOP SWITCH WIRE
36	6734	SEAT SLIDE PAIR	93	12459	STOP SWITCH WIRE ASM
37	9176	BOLT 5/16-18 X 1.000 HHCS G5 Z	94	1982-2	PEDAL LATCH GBLK
38	1447	BOLT 5/16-18X11/16THD SHOULDER	100	12638	PANEL 606 RH SIDE
39	9091	WASHER FLAT 3/8 SAE N	NI	12637	PANEL 606 LH SIDE
40	9160	BOLT 1/4-20 X .875 HHCS NL G5 Z	105	12249	ENGINE - 6.5HP OHC (606B)
41	1848	BOLT 1/4-20 X 1.250 HHCS G5 Z		12594	ENGINE - 7HP W/COIL (607C)
42	6349	BUSHING 5/16 OD X 22G	ASM	5957	DRIVER PULLEY 30S 217429 (INCL 107 - 112)
43	1846	BOLT 1/4-20 X .750 HHCS G5 Z	107	**	STATIONARY SHEAVE
44	1847	BOLT 1/4-20 X 1.000 HHCS G5 Z	108	200349	BUSHING
45	1389	BUSHING .25ID X .031G X .313	109	**	MOVEABLE SHEAVE
46	9502	LEFT WOUND PEDAL SPRING	110	**	SHOE ASSEMBLY
47	9503	RIGHT WOUND PEDAL SPRING	111	**	HUB
48	1854	WASHER NBR 14 FLAT MS Z	112	**	DRUM
49	8251	THROTTLE CABLE 74.5 IN	ASM	5958	DRIVEN PULLEY 30S 217610 (INCL 114 - 120)
50	9058	NUT 5/16-24 JAM	114	2477	RETAINING RING
51	12347	SWIVEL SCREW			
52	12348	RETURN SPRING			

PARTS LIST MODEL 6XX

REF NO	PART NO	DESCRIPTION	REF NO	PART NO	DESCRIPTION
115	**	CAM	145	6783-16	SPACER 1.000ID 12G 4.125L
116	8605	SPRING	146	2265-16	SPACER 1.000ID 12G .750L ZINC
117	6804	BUTTON NYLON	147	3941H	BEARING PRECISION,SEAL .875HEX
118	**	BUSHING	148	6617	BRG FLNG-HEAVY YELLOW
119	**	STATIONARY SHEAVE	149	1194	WASHER 3/4 SAE FLAT
120	**	MOVEABLE SHEAVE	150	9162	NUT 3/4-10 HEX TL Z
121	5959	BELT 30S 203589 27.4 OC	151	9338	SPROCKET LA 420P 60T
122	9060	WASHER 5/16 TYPE A PLAIN SAE	152	6280H	SPROCKET HUB HEX
123	1356	STUD ASM	153	6701	BOLT 5/16-18 X 1.250 SHCS
124	1136	NUT 5/8-18 CL HEX JAM Z	155	6320	HEADREST SGL PLAIN
125	9101	BOLT 5/16-24 X .500 HHCS G5 NL	156	5447	SAFETY FLAG - 6FT
126	8204	BOLT 5/16-24 X 2.250 HHCS G5 YZ	158	9810	BRAKE PAD SVC KIT (INCL 159-161)
127	1124	WASHER 5/16 SL Z	159	**	ANVIL W/LINING
128	1398	WASHER 21/64 ID X 1 1/4 X 1/8	160	**	BRAKE LINING
129	8720	SPROCKET 420P 9T INTEGRAL KEY	161	3928	BACKING PLATE
130	3403	KEY 3/16SQ X 2.000	162	3930	ACTUATOR PIN
131	1119	SPACER .625ID 1.062OD .125THK Z	163	3931	ADJUSTER PIN
132	1938	SPACER .75ID 11GA .375 ZI	164	3932	NUT JAM
133	11808	CAP VINYL 1.5 ID 1.5LG .06 BLK	165	9158	BOLT 3/8-16 X 2.250 HHCS
134	13094	COVER PLATE ASSEMBLY (INCL 136-137)	ASM	6534	MB-1 SERVICE KIT (INCL 166-168)
136	8231	COVER PLATE EXTENSION	166	**	GROOVE PIN
137	8258	RIVET AL/AL .25GRIP .125DIA	167	**	LEVER
138	11806-2	CHASSIS WLDMNT BLK	168	**	BRAKE HOUSING
139	10342	SPANNER 5/8ID X 14G X 5.125	169	11361	BOLT - FLAG MTG
140	2777	JACKSHAFT 5/8 X 10.812	171	2386	BOLT 3/8-16 X 3.500 HHCS G5 Z
141	1469	WASHER .625ID 1.062OD .062THK Z	NI	12860	RUN LIGHT KIT 607 (607C ONLY)
142	11797H-16	AXLE HEX WDMT- ZINC PLTD	NI	10184	LIGHTS ONLY - PAIR (607C ONLY)
143	9511H	BRAKE DISC 6 HEX			
144	5222-16	SPACER 1.000ID X 1.2500D X 1.250L			

ASM - ASSEMBLY

NI - NOT ILLUSTRATED

****** - NOT SOLD SEPERATELY