

Operator's Manual SUPPLEMENT

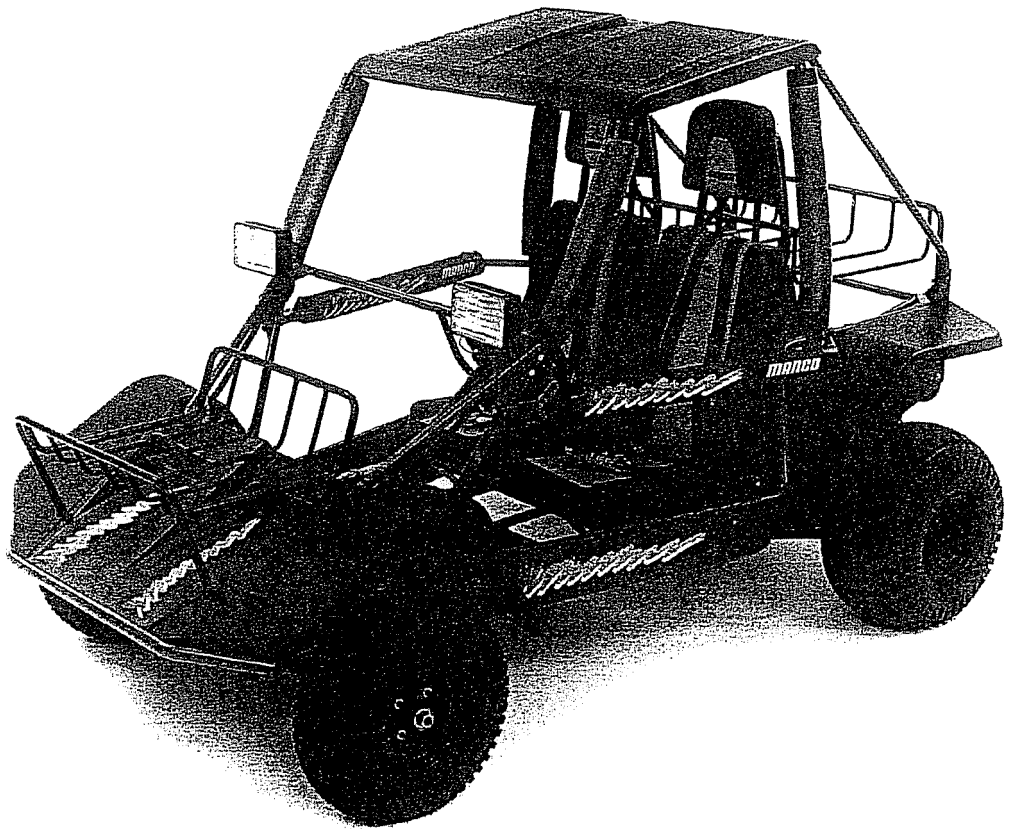
MANCO MODEL NO.

608-02

609-02

WARNING:
Read Engine
Owner's Manual,
Vehicle Operator's
Manual, and
Supplement
Carefully Before
Operating
Vehicle.

Parts List



Shown with OPTIONAL Front Rack (PN 6927), Rear Rack (PN 6923),
Hood/Top Kit (PN 9316), Fender Kit (PN 9317), and Side Panel Kit (PN 9318).

ORDERING PARTS

FAST & EASY!

- 1) Seek Part(s) from your models illustrated diagram, cross over REF# to PART#
- 2) Type PART# into sites [Search Box] at GoKartsRus.com TIP! - RIGHT CLICK LINK, SELECT OPEN IN NEW TAB
- 3) Add all needed parts to Shopping Cart | Complete "Checkout" | ✓ Done!

If a part does not come up in a Site Search, please [Contact Us](#) (include part# in email)

LOWEST PRICES!

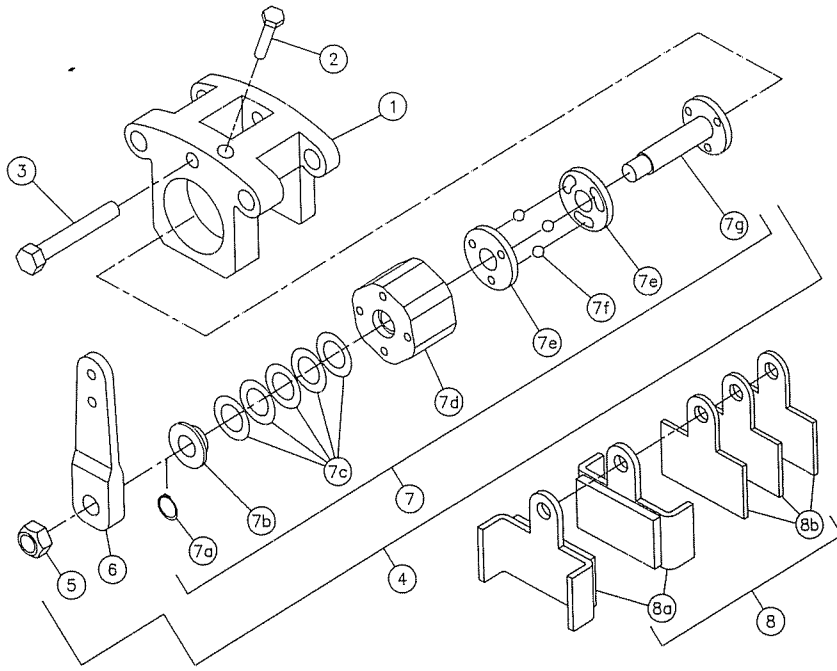
BEFORE OPERATING THIS VEHICLE, THE OWNER AND/OR OPERATOR MUST UNDERSTAND THE VEHICLE WAS NOT DESIGNED OR MANUFACTURED TO MEET SPECIFICATIONS FOR USE ON PUBLIC ROADS, STREETS, HIGHWAYS, OR THOROUGHFARES AND HAVE READ AND HAVE AN UNDERSTANDING OF ALL THE INSTRUCTIONS FOR SAFE ASSEMBLY AND OPERATION AS WELL AS THE INSTRUCTIONS GOVERNING THE ENGINE AND OTHER PORTIONS OF THE VEHICLE.

REPAIR PARTS 608-02, 609-02

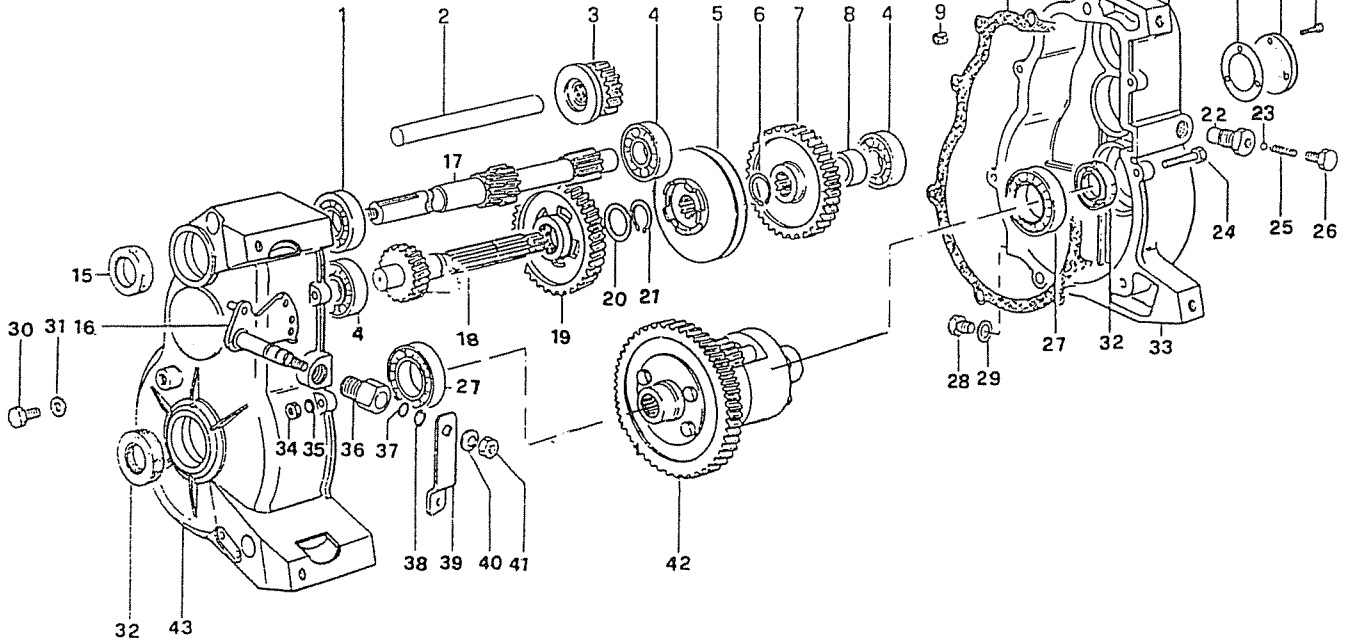
REF	PART	DESCRIPTION	REF	PART	DESCRIPTION	REF	PART	DESCRIPTION
<u>NO.</u>	<u>NO.</u>		<u>NO.</u>	<u>NO.</u>		<u>NO.</u>	<u>NO.</u>	
1	9878	Transaxle	73	1849	1/4-20 X 1-1/2 Hex Cap Screw	144	9873	Cam Follower Bearing
2	9839	Axle	74	9503	Spring, Right Wound	145	9185	1/2-13 X 2-3/4 Hex Cap Screw
3	9820	Rod Pivot	75	9502	Spring, Left Wound	NI	1463	Insulating Bushing
4	9822	Brake Rod	76	6293	Brake Pedal	146	6933	Rubber Cap
5	9870	1/2 X 1" Shoulder Bolt	77	6741-2	Brake Rod Weldment	147	6800	Headlight Assembly (609)
6	9842-19	Pivot Weldment	78	9160	1/4-20 X 7/8 Hex Cap Screw	148	9674	3/8 I.D. X 3/8" Spacer
7	1775	1/4 Sq. X 1-1/4" Key	79	6773-2	Parking Brake Handle Weldment	149	9060	5/16 Flat Washer
8	7877	M10/1.5 X 25 Hex Cap Screw	80	6442	Handle Cover	150	1938	Spacer 3/4 I.D. X 3/8
9	4913	Spacer, 1" I.D. X 3"	81	2790	8 Hp Engine (608)	151	6742	Spacer 5/16 I.D. X 5/16
10	2382	5/16-18 X 2 Hex Cap Screw	NI	9491	9 Hp Engine (609)	152	9311	Pin - End Cap
11	9821-19	Brake Cable Bracket	82	6441	3/8 I.D. Spring Washer	153	9880	Shim
12	6314	Brake Disc	83	9173	5/16 X 5/8 Shoulder Bolt	154	6932-19	Door Weldment - Right
13	9818-19	Drive Chassis Weldment	84	9172	3/8 X 1/4 Shoulder Bolt	NI	6733-19	Door Weldment - Left
14	6440	5/16-18 Jam Nut	85	6663	Steering Wheel	155	6810	Latch Weldment - Right
15	3941	Bearing Precision Sealed	86	6842	Toggle Switch - Long Barrel	NI	6845	Latch Weldment - Left
16	6617	Bearing Flange	87	9187	1/4-20 X 3-3/4 Hex Cap Screw	156	6847	Compression Spring
17	9178	5/16-18 X 1 Hex Cap Screw	88	9175	1/4-20 X 1-3/8 Hex Cap Screw	157	9190	3/8-16 X 3-1/4 Hex Cap Screw
18	1189	5/16-18 Toplock Hex Nut	89	9186	5/16-18 X 1-1/2 Hex Cap Screw	158	9183	.354 Push Nut
19	6123	1/4 Sq. X 1-3/4 Key	90	6745	3/4 I.D. Wave Washer	159	9191	1/4 Push Nut
20	6780	Spacer, 1" I.D. X 3-7/8	91	6750	Shoulder Harness	160	5839	1/4-20 X 3/4 Hex Flanged Whiz
21	9417	Wheel Hub Assembly W/Studs	92	6749	Seat Belt	161	6508	Tail Light Assembly (609)
22	9052	3/4-16 Toplock Hex Nut	93	1012	1/2-13 Toplock Hex Nut	162	6305-2	Tail Light Mounting Bracket (609)
23	9448	Brake Caliper Assembly	94	6748	Throttle Cable (608)	163	9106	#10-32 X 1/2 Hex Head Mach. Screw (609)
24	5682	1/2-13 X 5-1/2 Hex Cap Screw	95	9344	Choke Cable (609)	164	6193	#10 Hex Acorn Nut (609)
25	9829	Brake Return Spring	96	9188	1/2-13 X 1-1/4 Hex Cap Screw	165	6039	#10 Internal Lock Washer (609)
26	9085	3/8-16 Toplock Hex Nut	97	3633	Motorcycle Battery (609)	166	6969	Plastic Plug
27	9843	Shifter Cable	98	6344	Ignition Switch (609)	167	6521	Battery Cable Mounting Hardware Pack (609)
28	9844	Brake Cable	99	9642-2	Battery Clamp Bar (609)	168	6916	Pan Decal - Set
29	9174	E-Ring	100	9468	#10-32 Nylock Wing Nut (609)	169	6884	Dash Decal
30	9057	1/4-20 Toplock Hex Nut	101	6520	Battery Vent Tube (609)	170	2873	Trailer Decal
31	1389	Bushing 1/4 I.D. X 5/16	102	6894	Light Switch Assembly (609)	171	9874	"FNR" Decal
32	1847	1/4-20 X 1 Hex Cap Screw	103	6803-19	Cover Control Panel	172	6951	Tire Pressure Decal
33	1854	#14 Ms Flat Washer	104	6046	#10-24 X 1/2 Hex Mach. Screw	NI	1019	Tywrap
34	6771	Shock Black/White	105	6039	#10 Internal Lock Washer			
35	9430	Battery Tie Down Rod	106	5135	#10-24 Tinnerman Nut			
36	9449	3/4 Rod End	107	9879	Cable Clamp			
37	9834-19	Steering Crank Weldment	ASM	6718	Stabilizer Bar Asm (Incl. 108-110)			
38	3610	Battery Cable, 9" Black (609)	108	6770-19	Stabilizer Bar Weldment			
39	9871	1/2 X 3" Shoulder Bolt	109	6719	1/2 Female Rod End			
40	1263	5/16-18 Hex Flg. Whiz Nut	110	9169	1/2-20 Hex Jam Nut			
41	9826	Engine Standoff	111	9134	1/2-13 X 3-1/4 Hex Cap Screw			
42	9825	Pivot Pin	112	9116	Cotter Pin			
43	9533	Engine Stud Bushing (609)	113	9022	1/2 Flat Washer			
44	9881-19	Main Frame Weldment	114	9127	5/16-18 X 2-1/4 Hex Cap Screw			
45	1428	1/2-20 Cone Wheel Nut	115	9838-19	Cover Plate			
46	9199	3/4-16 X 3.00 Hex Cap Screw	116	9178	1/2-13 X 4-1/4 Hex Cap Screw			
47	9412-19	Trailing Arm Weldment - Right	117	6874	Custom Cover - Door			
NI	9411-19	Trailing Arm Weldment - Light	118	6875	Custom Pad - Front Bar			
48	9427	Bushing - Trailing Arm	119	6876	Custom Cover - Front Bar			
49	9198	#22 Machinery Bushing	120	6877	Custom Pad - Side Bar			
50	9455	1/4 X 2-1/4 Spring Pin	121	6879	Custom Cover Side Bar			
51	9454	End Cap	122	6880	Custom Pad End Cap - Side Bar			
52	6769-2	Spindle Weldment - Right	123	6383	Custom Pad End Cap			
NI	6768-2	Spindle Weldment - Light	124	6524	Custom Pad - Door			
53	1130	3/8 Split Lock Washer	125	6766-19	Cage Weldment			
54	1007	5/8-11 X 8 Hex Cap Screw	126	6776	Head Rest			
55	1046	5/8-11 Toplock Hex Nut	127	6777	Seat Back			
56	1650	5/8 Flat Washer	128	6778	Seat Bottom			
57	6841	Front Hub Asm. W/Studs	129	6806	Tire 20 X 7-8 Knobby			
58	6726	Sealed Bearing	130	6807	Wheel 7-8			
59	6736	Wheel Spanner	131	6811	Tube 20 X 7 - 8			
60	9162	3/4-10 Toplock Hex Nut	132	1452	22 X 11-8 Knobby			
61	6743	Tie Rod - 22-1/4 Long	133	1451	Wheel 11-8			
62	1414	Rod End - RH	134	1430	Tube 22 X 11-8			
63	1415	Rod End - LH	135	6758	Seat Frame Weldment			
64	9092	3/8-24 Hex Jam Nut	136	6722	Seat Slide - Pair			
65	9024	3/8-24 L.H. Hex Jam Nut	137	6735-2	Seat Slide Link			
66	1465	Tie Rod - 10-5/8 Long	138	9827-19	Gate Plate			
67	9145	3/8-16 X 1-3/4 Hex Cap Screw	139	9837-19	Shifter Handle Weldment			
68	9146	3/8-16 X 1-1/2 Hex Cap Screw	140	9124	3/8 X 1-3/4 Shoulder Bolt			
69	9872	1/4" Flat Washer	141	5953	#10-32 X 3/4 Hex Mach. Screw			
70	6309	Throttle Pedal	142	9105	#10-32 Toplock Hex Nut			
71	1447	3/8 X 1-1/8 Shoulder Bolt	143	6714-19	Bumper Weldment			
72	9091	3/8 Flat Washer Sae N						

ASM - Assembly
NI - Not Illustrated

REPAIR PARTS 608-02, 609-02



REF NO.	PART NO.	DESCRIPTION
ASM	9448	Brake Caliper Asm
1		Caliper Body
2	9460	Module Set Screw
3	9461	Retaining Screw
4	9465	Lever And Module Assembly
5	9462	Lock Nut
6	9463	Lever
7		Brake Module
7a		Retaining Ring
7b		Retainer
7c		Belleville Spring
7d		Module Body
7e		Cam Plate
7f		Ball
7g		Piston
8	9466	Brake Pad Repair Kit
8a		Brake Pad
8b		Spacer



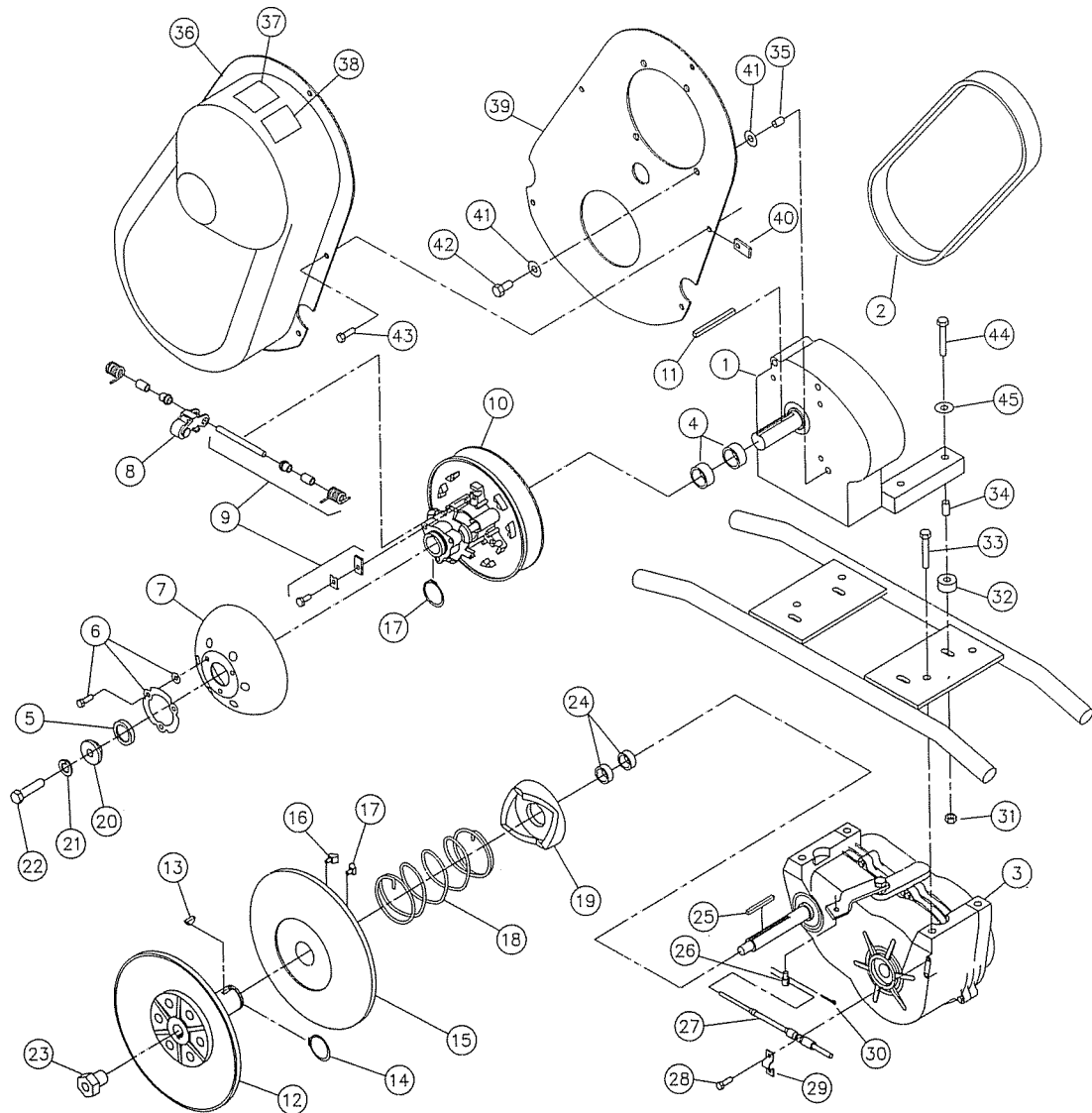
REF NO.	PART NO.	DESCRIPTION
1		Bearing; D2040
2		Reverse Shaft; D1011
3		Reverse Moving Gear; D1173
4		Bearing; D2004
5		Coupling Sleeve; D1103
6		Retaining Ring; D2001
7		Reverse Fixed Gear; D1006
8		Spacer; D1097
9		Spring Pin; D2033
10		Gasket; D1163
11		Oil Fill Plug; D2025
12		Gasket; D1083
13		Flange; D1330
14		Screw, M4 X 15 mm; D2028
15		Seal; D2039

REF NO.	PART NO.	DESCRIPTION
16		Shift Mechanism; D1133
17		Moving Input Shaft; D1327
18		2nd Reduction Shaft; D1143
19		1st Reduction Shaft; D1170
20		Spacer; D1171
21		Retaining Ring; D2046
22		Detent Guide; D1029
23		Detent Ball; D2008
24		Hex Head Screw; D2034
25		Spring; D1018
26		Hex Head Screw; D2013
27		Bearing; D2005
28		Screw, M10 X 10 mm; D2013
29		Gasket; D2042
30		Oil Level Screw; D2014

REF NO.	PART NO.	DESCRIPTION
31		Washer; D2021
32		Seal; D2010
33		Case Half; D3007
34		Nut; D2035
35		Split Lock Washer; D2036
36		Guide Bushing; D1131
37		O'ring D2000
38		Retaining Ring; D2003
39		Shift Lever; D1164
40		Cup Washer; D2047
41		Nut; D2041
42		Differential; D1334
43		Case Half; D3018

Order Transaxle Parts By Complete Description

REPAIR PARTS 608-02, 609-02



REF NO.	PART NO.	DESCRIPTION
1	2790	Engine, 8hp
	9491	Engine, 9hp
2	9875	Drive Belt
3	9676	Transaxle
4	4914	Spacer 1.0 I.D. X 9/16
ASM	9456	Driving Pulley Assembly (incl. 5-10)
5		Retaining Washer
6		Ramp Plate Mounting Kit
7		Ramp Plate
8		Roller Arm
9		Spring Kit
10		Sheave Assembly
11		Drive Key
ASM	9457	Driven Pulley Assembly (incl. 12-19)
12		Fixed Face And Post
13		Key
14		Retaining Ring
15		Movable Face Assembly
16		Button - L.H.
17		Button - R.H.
18	9884	Spring
19		Cam
20	2468	Pilot Washer
21	2467	7/16 Split Lock Washer
22	9196	7/16-20 X 4 Hex Cap Screw
23	9823	Retainer Nut
24	1938	Spacer, 3/4 I.D. X 3/8
25	3403	3/16 Sq. X 2 Key

REF NO.	PART NO.	DESCRIPTION
26	9825	Pivot Pin
27	9843	Shifter Cable
28	9878	M5/8 X 12 Hex Cap Screw
29	9879	Cable Clamp
30	9116	Cotter Pin
31	1263	5/16-18 Hex Flg. Whiz Nut
32	9826	Engine Standoff
33	7877	M10/1.5 X 25 Hex Cap Screw
34	9533	Engine Stud Bushing (609)
35	2527	Spacer, 3/8 I.D. X 9/16
36	9866	Torque Converter Cover
37	4912	Chain Guard Decal
38	1049	Drive Cover Decal
39	9867	Inner Cover
40	6548	Tinneman Clip
41	9091	3/8 Flat Washer
42	9876	3/8-16 X 1-1/2 Hex Cap Screw W/Nylock
43	9006	1/4-20 X 1/2 Hex Flanged Whiz
44	9127	5/16-18 x 2-1/4 Hex Cap Screw
45	9060	5/16 Flat Washer (609)
NI	5964	Decal, Oil Warning
NI	9877	Decal, Hot Surfaces
NI	9678	Decal, Engine Exhaust...

ASM - Assembly
NI - Not Illustrated

