

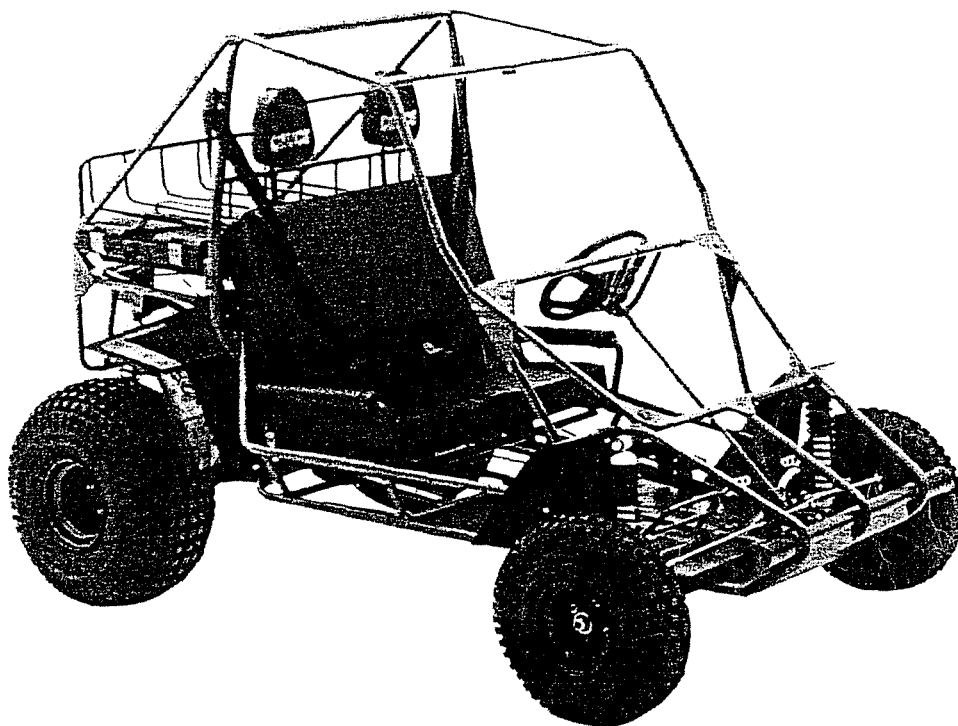
# Operator's Manual SUPPLEMENT

MANCO MODEL NO.

612-00

612-01

**WARNING:**  
Read Engine  
Owner's Manual,  
Vehicle Operator's  
Manual, and  
Supplement  
Carefully Before  
Operating  
Vehicle.



Parts List

## ORDERING PARTS

FAST & EASY!

- 1) Seek Part(s) from your models illustrated diagram, cross over REF# to PART#
- 2) Type PART# into sites [Search Box] at [GoKartsRus.com](http://GoKartsRus.com) TIP! - RIGHT CLICK LINK, SELECT OPEN IN NEW TAB
- 3) Add all needed parts to Shopping Cart | Complete "Checkout" | ✓ Done!

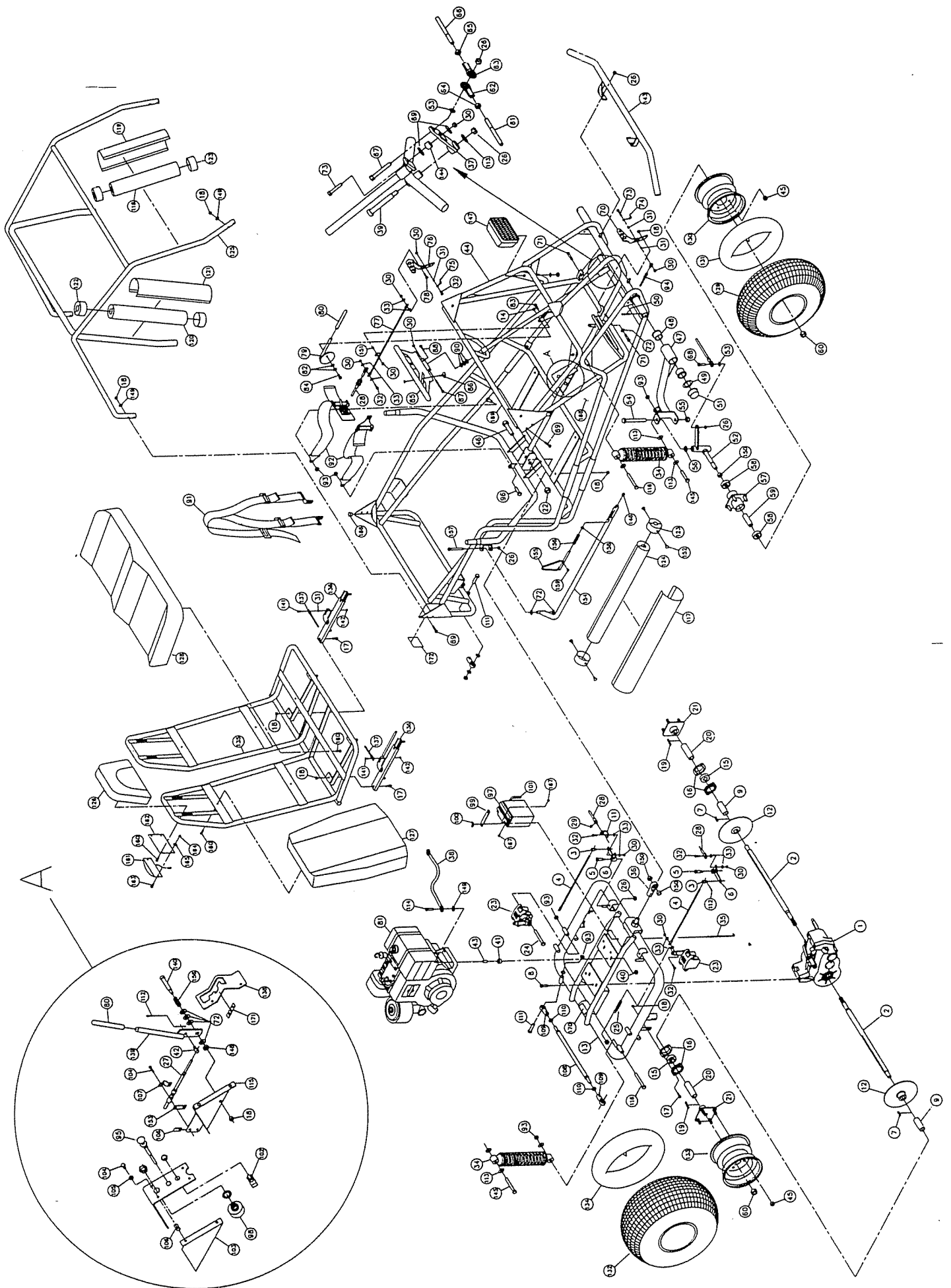
If a part does not come up in a Site Search, please [Contact Us](#) (include part# in email)

LOWEST PRICES!

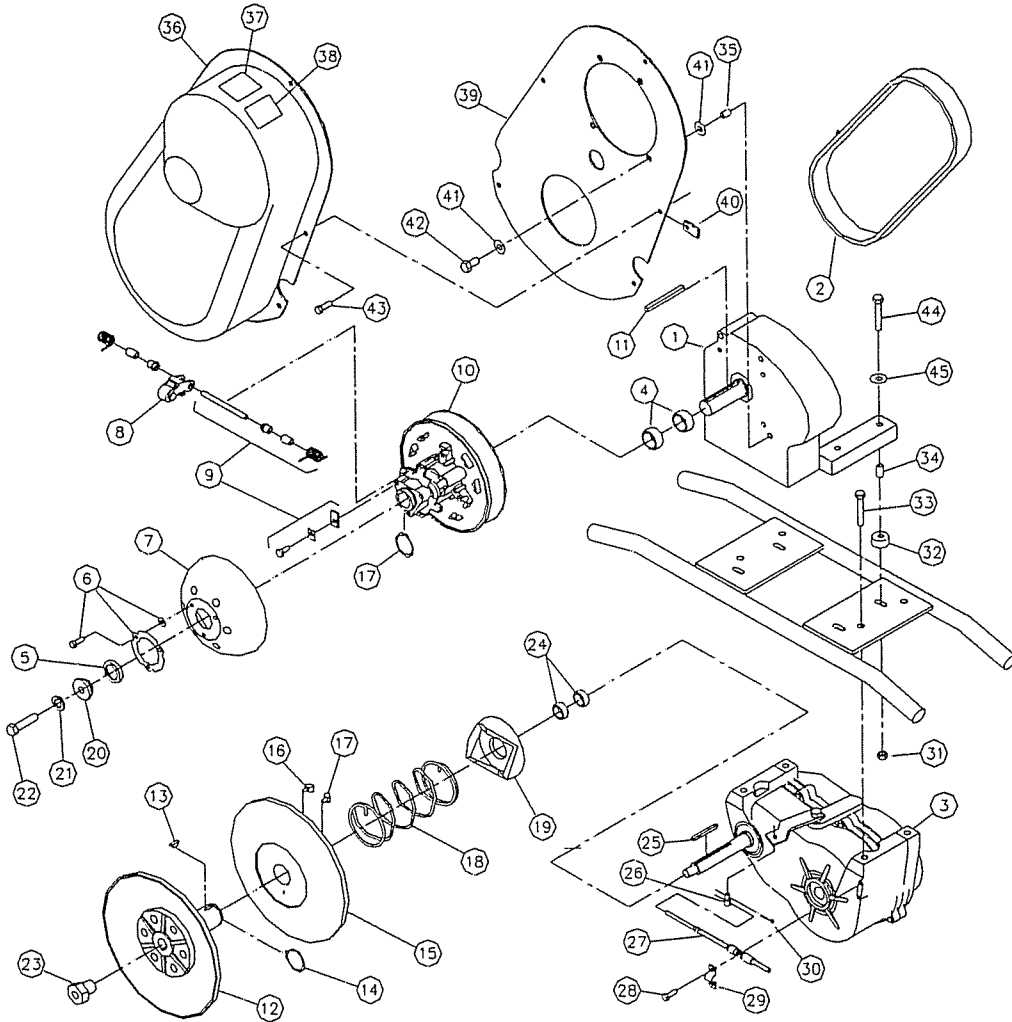
BEFORE OPERATING THIS VEHICLE, THE OWNER AND/OR OPERATOR MUST UNDERSTAND THE VEHICLE WAS NOT DESIGNED OR MANUFACTURED TO MEET SPECIFICATIONS FOR USE ON PUBLIC ROADS, STREETS, HIGHWAYS, OR THOROUGHFARES AND HAVE READ AND HAVE AN UNDERSTANDING OF ALL THE INSTRUCTIONS FOR SAFE ASSEMBLY AND OPERATION AS WELL AS THE INSTRUCTIONS GOVERNING THE ENGINE AND OTHER PORTIONS OF THE VEHICLE.

# REPAIR PARTS 612-00, 612-01

REF NO.	PART NO.	DESCRIPTION	REF NO.	PART NO.	DESCRIPTION	REF NO.	PART NO.	DESCRIPTION
1	8825	Transaxle 10.12/1 Ratio	69	9872	1/4" Flat Washer	130	6807	Wheel 7-8
2	9839	Axle	70	6309	Throttle Pedal	131	6811	Tube 20 X 7 - 8
3	9820	Rod Pivot	71	1447	3/8 X 1-1/8 Shoulder Bolt	132	1452	22 X 11-8 Knobby
4	9822	Brake Rod	72	9091	3/8 Flat Washer Sae N	133	1451	Wheel 11-8
5	9870	1/2 X 1" Shoulder Bolt	73	1849	1/4-20 X 1-1/2 Hex Cap Screw	134	1430	Tube 22 X 11-8
6	9842-2	Pivot Weldment	74	9503	Spring, Right Wound	135	8781-2	Seat Frame Weldment
7	1775	1/4 Sq. X 1-1/4" Key	75	9502	Spring, Left Wound	136	6722	Seat Slide - Pair
8	7877	M10/1.5 X 25 Hex Cap Screw	76	6293	Brake Pedal	137	6735-2	Seat Slide Link
9	4913	Spacer, 1" I.D. X 3"	77	8774-2	Brake Rod Weldment Front	138	9827-2	Gate Plate
10	2382	5/16-18 X 2 Hex Cap Screw	NI	8776-2	Brake Rod Weldment Back	139	9837-2	Shifter Handle Weldment
11	9821-2	Brake Cable Bracket	78	9160	1/4-20 X 7/8 Hex Cap Screw	140	9124	3/8 X 1-3/4 Shoulder Bolt
12	6314	Brake Disc	79	6773-2	Parking Brake Handle Weldment	141	5953	#10-32 X 3/4 Hex Mach. Screw
13	9818-11	Drive Chassis Weldment	80	6442	Handle Cover	142	9105	#10-32 Toplock Hex Nut
14	6440	5/16-18 Jam Nut	81	8767	12 Hp Engine	143		NOT USED
15	3941	Bearing Precision Sealed	NI	8796	Eng. Stop Switch Asm.	144	9873	Cam Follower Bearing
16	6617	Bearing Flange	NI	8794	Bkt Stop Switch/Choke	145	9185	1/2-13 X 2-3/4 Hex Cap Screw
17	9176	5/16-18 X 1 Hex Cap Screw	NI	PX2304	1/4X5/8 Screw Stop Switch Bkt.	NI	1463	Insulating Bushing
18	1189	5/16-18 Toplock Hex Nut	82	6441	3/8 I.D. Spring Washer	146	6933	Rubber Cap
19	6123	1/4 Sq. X 1-3/4 Key	83	1848	1/4X1.25 Lg. Hex Cap Screw	147	6800	Headlight Assembly (612-01)
20	6780	Spacer, 1" I.D. X 3-7/8	NI	9057	1/4-20 Top Lock Nut	148	9674	3/8 I.D. X 3/8" Spacer
21	9417	Wheel Hub Assembly W/Studs	NI	8885	1/4IDX3/8ODX 3/8 Lg. Spacer	149	9060	5/16 Flat Washer
22	9052	3/4-16 Toplock Hex Nut	NI	9872	1/4 Wide Plain Washer	150	1938	Spacer 3/4 I.D. X 3/8
23	9448	Brake Caliper Assembly	84	1848	1/4X 1.25 Lg. Hex Cap Screw	151	6742	Spacer 5/16 I.D. X 5/16
24	8416	1/2-13 X 6 Hex Cap Screw	NI	9869	1/4IDX5/16ODX5/8Lg Spacer	152		NOT USED
25	9829	Brake Return Spring	85	6663	Steering Wheel	153	9880	Shim
26	9085	3/8-16 Toplock Hex Nut	86	6842	Toggle Switch - Long Barrel	154		NOT USED
27	9843	Shifter Cable	87	9187	1/4-20 X 3-3/4 Hex Cap Screw	155		NOT USED
28	9844	Brake Cable	88	9175	1/4-20 X 1-3/8 Hex Cap Screw	156		NOT USED
29	9174	E-Ring	89	9186	5/16-18 X 1-1/2 Hex Cap Screw	157		NOT USED
30	9057	1/4-20 Toplock Hex Nut	90	6745	3/4 I.D. Wave Washer	158		NOT USED
31	1389	Bushing 1/4 I.D. X 5/16	91	8778	3 Point Seat Belt W/Retractor	159		NOT USED
32	1847	1/4-20 X 1 Hex Cap Screw	92		NOT USED	160	5839	1/4-20 X 3/4 Hex Flanged Whiz
33	1854	#14 Ms Flat Washer	93	1012	1/2-13 Toplock Hex Nut	161	6508	Tail Light Assembly
34	6771	Shock Black/White	94	8173	Throttle Cable	162		NOT USED
35	9430	Battery Tie Down Rod	95	6313	Choke Cable	163		NOT USED
36	9449	3/4 Rod End	96	9188	1/2-13 X 1-1/4 Hex Cap Screw	164	6193	#10 Hex Acorn Nut
37	9834-2	Steering Crank Weldment	97	8903	Motorcycle Battery	165	6039	#10 Internal Lock Washer
38	3610	Battery Cable, 9" Black	98	6344	Ignition Switch	166	6969	Plastic Plug
39	9871	1/2 X 3" Shoulder Bolt	99	9642-2	Battery Clamp Bar	167		NOT USED
40	1263	5/16-18 Hex Flg. Whiz Nut	100	9468	#10-32 Nylock Wing Nut	168		NOT USED
41	8206	1/2-20 Hex High Nut	101		NOT USED	169		NOT USED
NI	8214	Adapter Plate Engine	102	6894	Light Switch Assembly	170	2873	Trailer Decal
NI	9091	Washer Spacer Eng./Adapter	103	6803-2	Cover Control Panel W/Holes	171	9874	"FNR" Decal
NI	9186	5/16X1.5 Lg. Scr. Adapt/Chassis	NI	8806	12 Volt Outlet	172	6951	Tire Pressure Decal
NI	2382	5/16X2.0 Lg. Scr. Eng./Adapt.	NI	8819	Brake Light Resistor Asm	NI	1019	Tywrap
42	9825	Pivot Pin	NI	8811	Switch Brake Light	NI	8389	Decal Warning Seat Belt
43		NOT USED	104	6046	#10-24 X 1/2 Hex Mach. Screw	NI	4504	Decal Warning Yellow
44	8766-11	Main Frame Weldment	105	6039	#10 Internal Lock Washer	NI	8153	Decal Age Limitation
45	1428	1/2-20 Cone Wheel Nut	106	5135	#10-24 Tinnerman Nut	NI	8445	Safety Flag W/Bracket
46	9199	3/4-16 X 3.00 Hex Cap Screw	107	9879	Cable Clamp	NI	9763B	Foam 16 In Seat Frame
47	9412-2	Trailing Arm Weldment - Right	ASM	6718	Stabilizer Bar Asm (Incl.108-110)	NI	8821-2	Hitch Weld Asm.
NI	9411-2	Trailing Arm Weldment - Light	108	6770-2	Stabilizer Bar Weldment	NI	8865	Clevis Pin
48	9427	Bushing - Trailing Arm	109	6719	1/2 Female Rod End	NI	8866	Clevis Pin Keeper
49	9198	#22 Machinery Bushing	110	9169	1/2-20 Hex Jam Nut	NI	8807	Mud Flap Left Front
50	9455	1/4 X 2-1/4 Spring Pin	111	9134	1/2-13 X 3-1/4 Hex Cap Screw	NI	8808	Mud Flap Right Front
51	9454	End Cap	112	9116	Cotter Pin	NI	8809	Mud Flap Left Rear
52	6769-2	Spindle Weldment - Right	113	9022	1/2 Flat Washer	NI	8810	Mud Flap Right Rear
NI	6768-2	Spindle Weldment - Light	114	9127	5/16-18 X 2-1/4 Hex Cap Screw	NI	8869	Decal Set Mud Flap
53	1130	3/8 Split Lock Washer	115	9838-2	Cover Plate for Shift Lever	NI	8266	Loop Clip Mud Flap Mount
54	1007	5/8-11 X 6 Hex Cap Screw	116	9178	1/2-13 X 4-1/4 Hex Cap Screw	NI	8227	Clip Nut Mud Flap Mount
55	1046	5/8-11 Toplock Hex Nut	117		NOT USED	NI	9006	1/4X.5 Lg. Whiz Mud Flap Mnt.
56	1650	5/8 Flat Washer	118		NOT USED	NI	8800	Tool Box
57	6841	Front Hub Asm. W/Studs	119		NOT USED	NI	8795	Tool Box Holder
58	6726	Sealed Bearing	120		NOT USED	NI	8802	Tool Box Holder Latch
59	6736	Wheel Spanner	121		NOT USED	NI	1442	Scuff Pad Floor Pan
60	9162	3/4-10 Toplock Hex Nut	122		NOT USED	NI	8870	Decal Roof (612-01)
61	6743	Tie Rod - 22-1/4 Long	123		NOT USED	NI	6843	Roof (612-01)
62	1414	Rod End - RH	124		NOT USED	NI	8877	Arm Pad Covers (612-01)
63	1415	Rod End - LH	125	8780-11	Cage Weldment			
64	9092	3/8-24 Hex Jam Nut	126	8784	Head Rest			
65	9024	3/8-24 L.H. Hex Jam Nut	NI	8797-2	Head Rest Frame			
66	1465	Tie Rod - 10-5/8 Long	127		NOT USED			
67	9145	3/8-16 X 1-3/4 Hex Cap Screw	128	8789	Seat Bottom & Back			ASM - Assembly
68	9146	3/8-16 X 1-1/2 Hex Cap Screw	129	6806	Tire 20 X 7-8 Knobby			NI - Not illustrated



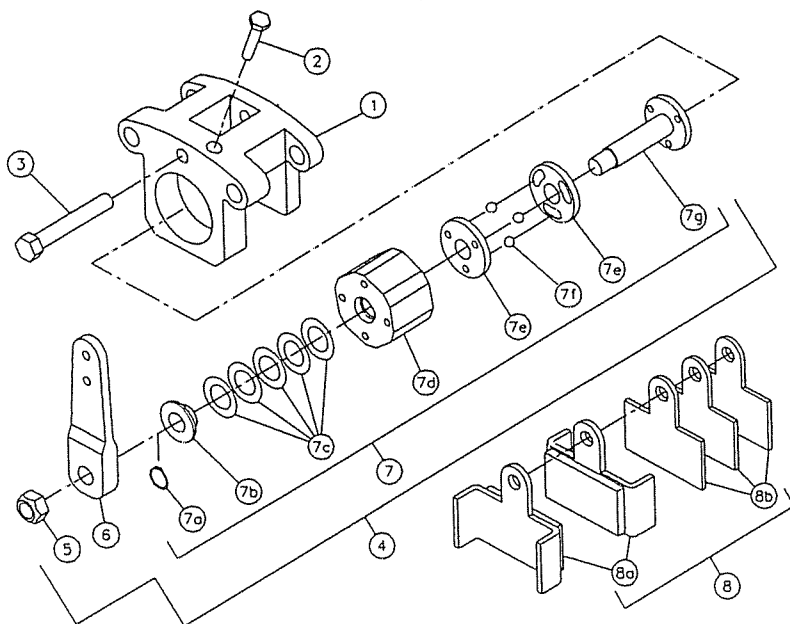
# REPAIR PARTS 612-00, 612-01



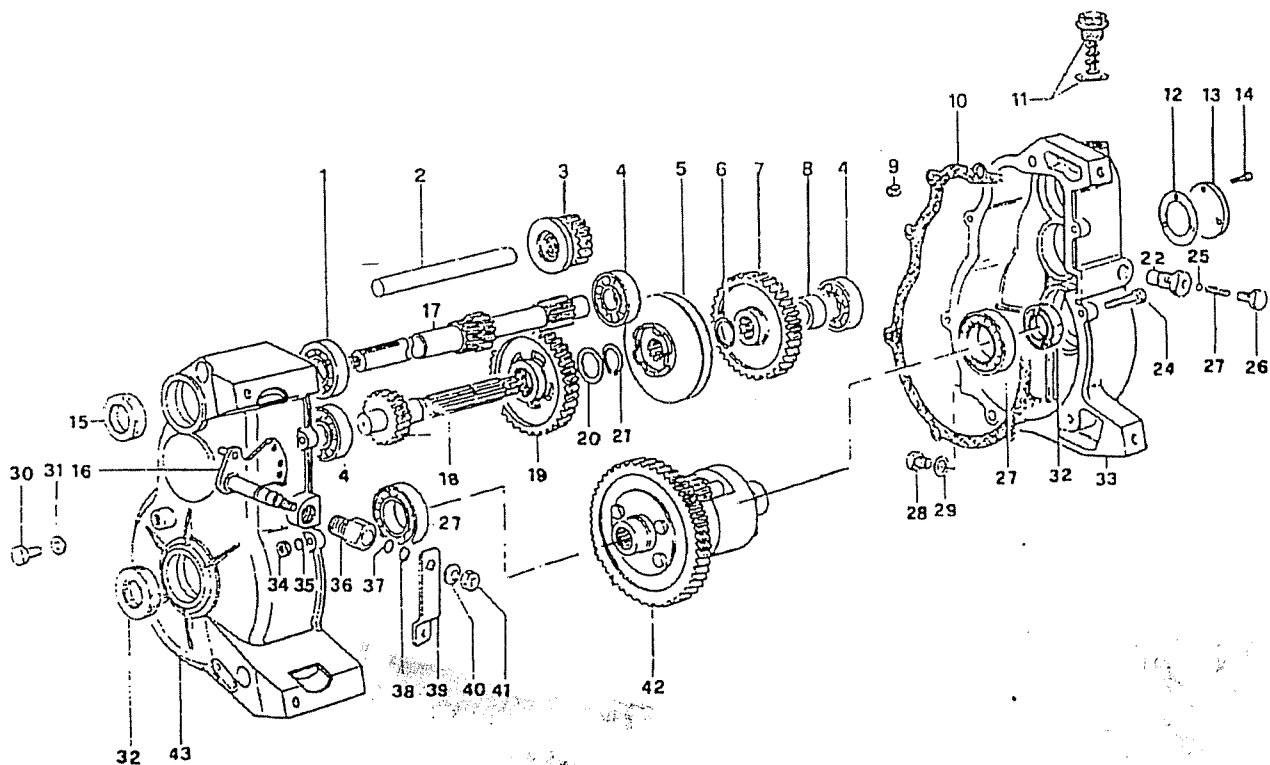
Ref NO.	PART NO.	DESCRIPTION
1	8767	Engine, 12hp
2	9875	Drive Belt
3	8825	Transaxle 10.12/1 Ratio
4	PX2970	Spacer 1.0 I.D. X 1/8
ASM 5-10)	9456	Driving Pulley Assembly (incl.
5		Retaining Washer
6		Ramp Plate Mounting Kit
7		Ramp Plate
8		Roller Arm
9		Spring Kit
10		Sheave Assembly
11		Drive Key
ASM 12-19)	9457	Driven Pulley Asm. (incl. 12-19)
12		Fixed Face And Post
13		Key
14		Retaining Ring
15		Movable Face Assembly
16		Button - L.H.
17		Button - R.H.
18	9884	Spring
19		Cam
20	2468	Pilot Washer
21	1130	3/8 Split Lock Washer
22	8864	3/8-24 X 4.5 Hex Cap Screw
23	9823	Retainer Nut
24	1938	Spacer, 3/4 I.D. X 3/8
25	3403	3/16 Sq. X 2 Key
26	9825	Pivot Pin

Ref NO.	PART NO.	DESCRIPTION
27	9843	Shifter Cable
28	9878	M5/8 X 12 Hex Cap Screw
29	9879	Cable Clamp
30	9116	Cotter Pin
31	1263	5/16-18 Hex Flg. Whiz Nut
32	8206	1/2-20 Hex High Nut
33	7877	M10/1.5 X 25 Hex Cap Screw
34		NOT USED
35		NOT USED
36	9866	Torque Converter Cover
37	4912	Chain Guard Decal
38	1049	Drive Cover Decal
39	8884	Inner Cover
40	6548	Tinnerman Clip
41	9060	5/16 Flat Washer
42	9101	5/16-24 X 1/2 Hex Cap Screw
43	9006	1/4-20 X 1/2 Hex Flanged Whiz
44	9127	5/16-18 x 1-1/2 Hex Cap Screw (Drive Chassis to Adapter Plate)
NI	2382	5/16-18 x 2.0 Hex Cap Screw (Adapter Plate to Engine)
NI	9091	Flat Washer (Engine to Adapter)
45		NOT USED
NI	9934	Decal Deuce Starting
NI	8733	Decal, Oil Warning
NI	9677	Decal, Hot Surfaces
NI	9678	Decal, Engine Exhaust...
ASM - Assembly		
NI - Not Illustrated		

# REPAIR PARTS 612-00, 612-01



Ref NO. ASM	PART NO.	DESCRIPTION
	9448	Brake Caliper Asm.
1		Caliper Body
2	9460	Module Set Screw
3	9461	Retaining Screw
4	9465	Lever And Module Assembly
5	9462	Lock Nut
6	9463	Lever
7		Brake Module
7a		Retaining Ring
7b		Retainer
7c		Belleville Spring
7d		Module Body
7e		Cam Plate
7f		Ball
7g		Piston
8	9466	Brake Pad Repair Kit
8a		Brake Pad
8b		Spacer



Ref NO.	PART NO.	DESCRIPTION
1		Bearing; D2040
2		Reverse Shaft; D1011
3		Reverse Moving Gear; D1173
4		Bearing; D2004
5		Coupling Sleeve; D1103
6		Retaining Ring; D2001
7		Reverse Fixed Gear; D1006
8		Spacer; D1097
9		Spring Pin; D2033
10		Gasket; D1163
11		Oil Fill Plug; D2025
12		Gasket; D1083
13		Flange; D1330
14		Screw, M4 X 15 mm; D2028
15		Seal; D2039

Ref NO.	PART NO.	DESCRIPTION
16		Shift Mechanism; D1133
17		Moving Input Shaft; D1327
18		2nd Reduction Shaft; 23 Teeth
19		1st Reduction Shaft; D1170
20		Spacer; D1171
21		Retaining Ring; D2046
22		Detent Guide; D1029
23		Detent Ball; D2008
24		Hex Head Screw; D2034
25		Spring; D1018
26		Hex Head Screw; D2013
27		Bearing; D2005
28		Screw, M10 X 10 mm; D2013
29		Gasket; D2042
30		Oil Level Screw; D2014

Ref NO.	PART NO.	DESCRIPTION
31		Washer; D2021
32		Seal; D2010
33		Case Half; D3007
34		Nut; D2035
35		Split Lock Washer; D2036
36		Guide Bushing; D1131
37		O'Ring; D2000
38		Retaining Ring; D2003
39		Shift Lever; D1164
40		Cup Washer; D2047
41		Nut; D2041
42		Differential; 76 Teeth Gear
43		Case Half; D3018

Order Transaxle Parts By Complete Description

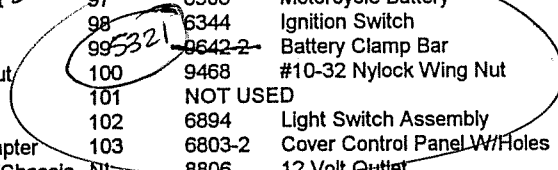
# REPAIR PARTS 612-00, 612-01

6827

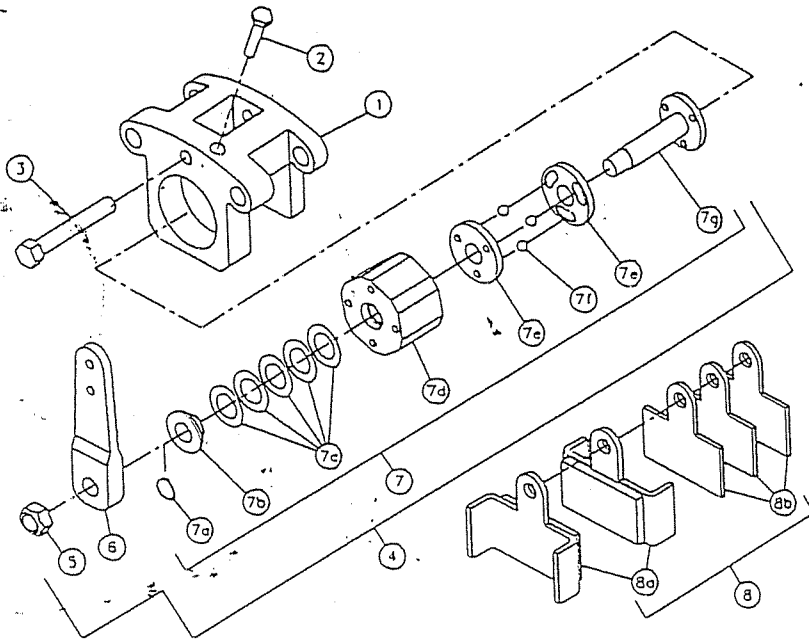
6825 12 X 9 Rear Rim

REF NO.	PART NO.	DESCRIPTION	REF NO.	PART NO.	DESCRIPTION	REF NO.	PART NO.	DESCRIPTION
1	8825	Transaxle 10.12/1 Ratio	69	9872	1/4" Flat Washer	130	6807	Wheel 7-8
2	9839	Axle	70	6309	Throttle Pedal	131	6811	Tube 20 X 7 - 8
3	9820	Rod Pivot	71	1447	3/8 X 1-1/8 Shoulder Bolt	132	1452	22 X 11-8 Knobby <i>6821</i>
4	9822	Brake Rod	72	9091	3/8 Flat Washer Sae N	133	1451	Wheel 11-8 <i>6825</i>
5	9870	1/2 X 1" Shoulder Bolt	73	1849	1/4-20 X 1-1/2 Hex Cap Screw	134	1430	Tube 22 X 11-8-
6	9842-2	Pivot Weldment	74	9503	Spring, Right Wound	135	8781-2	Seat Frame Weldment
7	1775	1/4 Sq. X 1-3/4" Key	75	9502	Spring, Left Wound	136	6722	Seat Slide - Pair
8	7877	M10/1.5 X 25 Hex Cap Screw	76	6293	Brake Pedal	137	6735-2	Seat Slide Link
9	4913	Spacer, 1" I.D. X 3"	77	8774-2	Brake Rod Weldment Front	138	9827-2	Gate Plate
10	2382	5/16-18 X 2 Hex Cap Screw	NI	8776-2	Brake Rod Weldment Back	139	9837-2	Shifter Handle Weldment
11	9821-2	Brake Cable Bracket	78	9160	1/4-20 X 7/8 Hex Cap Screw	140	9124	3/8 X 1-3/4 Shoulder Bolt
12	6314	Brake Disc	79	6773-2	Parking Brake Handle Weldment	141	5953	#10-32 X 3/4 Hex Mach. Screw
13	9818-11	Drive Chassis Weldment	80	6442	Handle Cover	142	9105	#10-32 Toplock Hex Nut
14	6440	5/16-18 Jam Nut	81	8767	12 Hp Engine	143	NOT USED	
15	3941	Bearing Precision Sealed	NI	8796	Eng. Stop Switch Asm.	144	9873	Cam Follower Bearing
16	6617	Bearing Flange	NI	8794	Bkt Stop Switch/Choke	145	9185	1/2-13 X 2-3/4 Hex Cap Screw
17	9176	5/16-18 X 1 Hex Cap Screw	NI	PX2304	1/4X5/8 Screw Stop Switch Bkt.	NI	1463	Insulating Bushing
18	1189	5/16-18 Toplock Hex Nut	82	6441	3/8 I.D. Spring Washer	146	6933	Rubber Cap
19	6123	1/4 Sq. X 1-3/4" Key	83	1848	1/4X1.25 Lg. Hex Cap Screw	147	6800	Headlight Assembly (612-01)
20	6780	Spacer, 1" I.D. X 3-7/8	NI	9057	1/4-20 Top Lock Nut	148	9674	3/8 I.D. X 3/8" Spacer
21	9417	Wheel Hub Assembly W/Studs	NI	8885	1/4IDX3/8ODX 3/8 Lg. Spacer	149	9060	5/16 Flat Washer
22	9052	3/4-16 Toplock Hex Nut	NI	9872	1/4 Wide Plain Washer	150	1938	Spacer 3/4 I.D. X 3/8
23	9448	Brake Caliper Assembly	84	1848	1/4X 1.25 Lg. Hex Cap Screw	151	6742	Spacer 5/16 I.D. X 5/16
24	8416	1/2-13 X 6 Hex Cap Screw	NI	9869	1/4IDX5/16ODX5/8Lg Spacer	152	NOT USED	
25	9829	Brake Return Spring	85	6663	Steering Wheel	153	9880	Shim
26	9085	3/8-16 Toplock Hex Nut	86	6842	Toggle Switch - Long Barrel	154	NOT USED	
27	9843	Shifter Cable	87	9187	1/4-20 X 3-3/4 Hex Cap Screw	155	NOT USED	
28	9844	Brake Cable	88	9175	1/4-20 X 1-3/8 Hex Cap Screw	156	NOT USED	
29	9174	E-Ring	89	9186	5/16-18 X 1-1/2 Hex Cap Screw	157	NOT USED	
30	9057	1/4-20 Toplock Hex Nut	90	6745	3/4 I.D. Wave Washer	158	NOT USED	
31	1389	Bushing 1/4 I.D. X 5/16	91	8778	3 Point Seat Belt W/Retractor	159	NOT USED	
32	1847	1/4-20 X 1 Hex Cap Screw	92	NOT USED		160	5839	1/4-20 X 3/4 Hex Flanged Whiz
33	1854	#14 Ms Flat Washer	93	1012	1/2-13 Toplock Hex Nut	161	6508	Tail Light Assembly
34	6771	Shock Black/White	94	8173	Throttle Cable	162	NOT USED	
35	9430	Battery Tie Down Rod	95	6313	Choke Cable	163	NOT USED	
36	9449	3/4 Rod End	96	9188	1/2-13 X 1-1/4 Hex Cap Screw	164	6193	#10 Hex Acorn Nut
37	9834-2	Steering Crank Weldment	97	8903	Motorcycle Battery	165	6039	#10 Internal Lock Washer
38	3610	Battery Cable, 9" Black	98	6344	Ignition Switch	166	6969	Plastic Plug
39	9871	1/2 X 3" Shoulder Bolt	99	5321	642-2	167	NOT USED	
40	1263	5/16-18 Hex Flg. Whiz Nut	100	9468	#10-32 Nylock Wing Nut	168	NOT USED	
41	8206	1/2-20 Hex High Nut	101	NOT USED		169	NOT USED	
NI	8214	Adapter Plate Engine	102	6894	Light Switch Assembly	170	2873	Trailer Decal
NI	9091	Washer Spacer Eng./Adapter	103	6803-2	Cover Control Panel W/Holes	171	9874	"FNR" Decal
NI	9186	5/16X1.5 Lg. Scr. Adapt/Chassis	NI	8806	12 Volt Outlet	172	6951	Tire Pressure Decal
NI	2382	5/16X2.0 Lg. Scr. Eng./Adapt.	NI	8819	Brake Light Resistor Asm	NI	1019	Tywrap
42	9825	Pivot Pin	NI	8811	Switch Brake Light	NI	8389	Decal Warning Seat Belt
43	NOT USED		104	6046	#10-24 X 1/2 Hex Mach. Screw	NI	4504	Decal Warning Yellow
44	8766-11	Main Frame Weldment	105	6039	#10 Internal Lock Washer	NI	8153	Decal Age Limitation
45	1428	1/2-20 Cone Wheel Nut	106	5135	#10-24 Tinnerman Nut	NI	8445	Safety Flag W/Bracket
46	9199	3/4-16 X 3.00 Hex Cap Screw	107	9879	Cable Clamp	NI	9763B	Foam 16 IN Seat Frame
47	9412-2	Trailing Arm Weldment - Right	ASM	6718	Stabilizer Bar Asm (Incl.108-110)	NI	8821-2	Hitch Weld Asm.
NI	9411-2	Trailing Arm Weldment - Light	108	6770-2	Stabilizer Bar Weldment	NI	8865	Clevis Pin
48	9427	Bushing - Trailing Arm	109	6719	1/2 Female Rod End	NI	8866	Clevis Pin Keeper
49	9198	#22 Machinery Bushing	110	9169	1/2-20 Hex Jam Nut	NI	8807	Mud Flap Left Front
50	9455	1/4 X 2-1/4 Spring Pin	111	9134	1/2-13 X 3-1/4 Hex Cap Screw	NI	8808	Mud Flap Right Front
51	9454	End Cap	112	9116	Cotter Pin	NI	8809	Mud Flap Left Rear
52	6769-2	Spindle Weldment - Right	113	9022	1/2 Flat Washer	NI	8810	Mud Flap Right Rear
NI	6768-2	Spindle Weldment - Light	114	9127	5/16-18 X 2-1/4 Hex Cap Screw	NI	8869	Decal Set Mud Flap
53	1130	3/8 Split Lock Washer	115	9838-2	Cover Plate for Shift Lever	NI	8266	Loop Clip Mud Flap Mount
54	1007	5/8-11 X 6 Hex Cap Screw	116	9178	1/2-13 X 4-1/4 Hex Cap Screw	NI	8227	Clip Nut Mud Flap Mount
55	1046	5/8-11 Toplock Hex Nut	117	NOT USED		NI	9006	1/4X.5 Lg. Whiz Mud Flap Mnt.
56	1650	5/8 Flat Washer	118	NOT USED		NI	8800	Tool Box
57	6841	Front Hub Asm. W/Studs	119	NOT USED		NI	8795	Tool Box Holder
58	6726	Sealed Bearing	120	NOT USED		NI	8802	Tool Box Holder Latch
59	6736	Wheel Spanner	121	NOT USED		NI	1442	Scuff Pad Floor Pan
60	9162	3/4-10 Toplock Hex Nut	122	NOT USED		NI	8870	Decal Roof (612-01)
61	6743	Tie Rod - 22-1/4 Long	123	NOT USED		NI	6843	Roof (612-01)
62	1414	Rod End - RH	124	NOT USED		NI	8877	Arm Pad Covers (612-01)
63	1415	Rod End - LH	125	8780-11	Cage Weldment			
64	9092	3/8-24 Hex Jam Nut	126	8784	Head Rest			
65	9024	3/8-24 L.H. Hex Jam Nut	NI	8797-2	Head Rest Frame			
66	1465	Tie Rod - 10-5/8 Long	127	NOT USED				
67	9145	3/8-16 X 1-3/4 Hex Cap Screw	128	8789	Seat Bottom & Back	ASM - Assembly		
68	9146	3/8-16 X 1-1/2 Hex Cap Screw	129	6806	Tire 20 X 7-8 Knobby	NI - Not Illustrated		

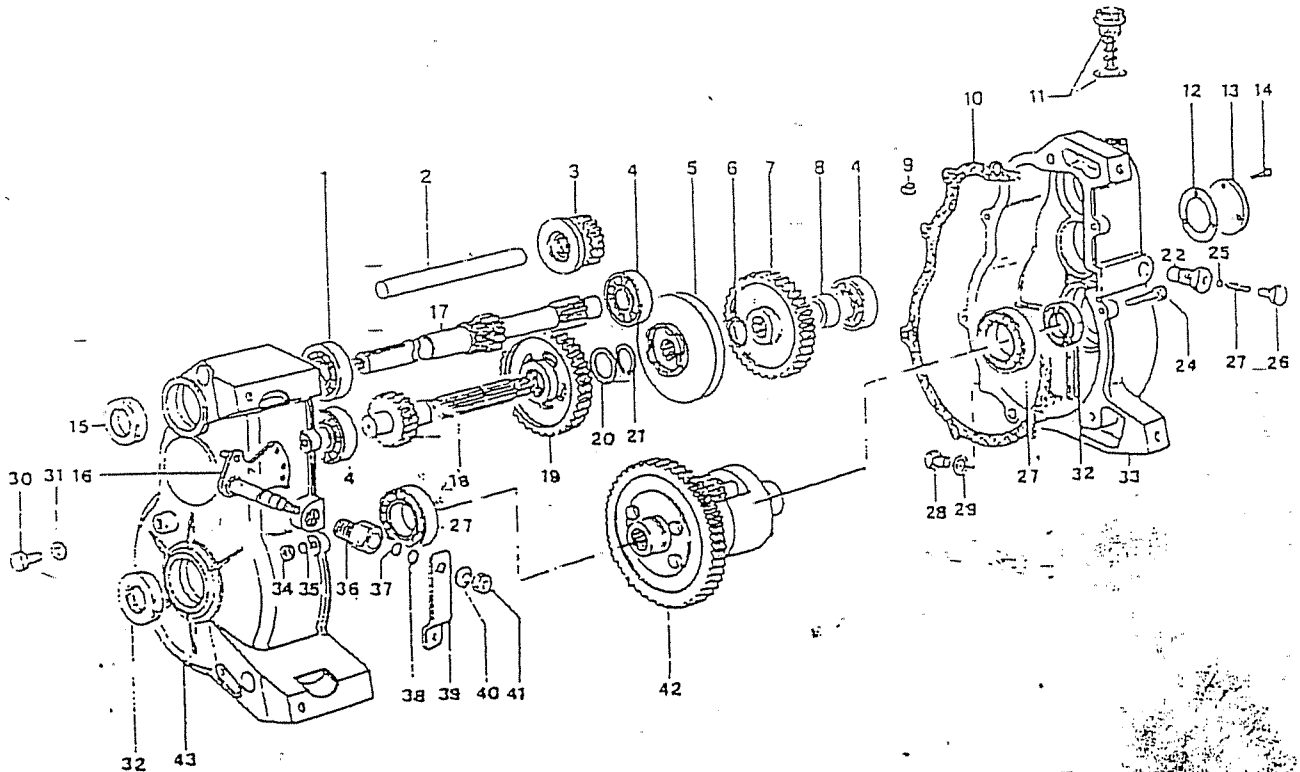
*Change IA*



# REPAIR PARTS 612-00, 612-01



Ref NO. ASM	PART NO.	DESCRIPTION
	9448	Brake Calliper Asm.
1		Calliper Body
2	9460	Module Set Screw
3	9461	Retaining Screw
4	9465	Lever And Module Assembly
5	9462	Lock Nut
6	9463	Lever
7		Brake Module
7a		Retaining Ring
7b		Retainer
7c		Belleville Spring
7d		Module Body
7e		Cam Plate
7f		Ball
7g		Piston
8	9466	Brake Pad Repair Kit
8a		Brake Pad
8b		Spacer



Ref NO.	PART NO.	DESCRIPTION
1	12053	Bearing; D2040D
2	12054	Reverse Shaft; D1011D
3	11055	Reverse Moving Gear; D1173
4	12055	Bearing; D2004D
5	12056	Coupling Sleeve; D1103D
6		Retaining Ring; D2001
7	11057	Reverse Fixed Gear; D1006
8	12058	Spacer; D1097D
9		Spring Pin; D2033
10	12070	Gasket; D1163D
11	12014	Oil Fill Plug; D2025D
12	12014	Gasket; D1083D
13	12062	Flange; D1330D
14	12063	Screw, M4 X 15 mm; D2028D
15	11059	Seal; D2039

Ref NO.	PART NO.	DESCRIPTION
16	12063	Shift Mechanism; D1133D
17	11056	Moving Input Shaft; D1327
18	12072	2nd Reduction Shaft; 23 Teeth
19	12079	1st Reduction Shaft; D1170
20		Spacer; D1171
21	12057	Retaining Ring; D2046D
22	12065	Detent Guide; D1029D
23	12059	Detent Ball; D2008D
24	12071	Hex Head Screw; D2034D
25	12014	Spring; D1018D
26		Hex Head Screw; D2013
27	12060	Bearing; D2005D
28	12067	Screw, M10 X 10 mm; D2013D
29		Gasket; D2042
30		Oil Level Screw; D2014

Ref NO.	PART NO.	DESCRIPTION
31		Washer; D2021
32	11058	Seal; D2010
33	11642	Case Half; D3007
34		Nut; D2035
35		Split Lock Washer; D2036
36	12061	Guide Bushing; D1131D
37		O'Ring; D2000
38	12057	Retaining Ring; D2003D
39	11060	Shift Lever; D1164
40		Cup Washer; D2047
41		Nut; D2043
42	11640	Differential; 76-Teeth Gear
43	11641	Case Half; D3018

Order Transaxle Parts By Complete Description

# COMEX TRANSAXLE PARTS

<u>"D" NUMBER</u>	<u>MANCO PN</u>	<u>DESCRIPTION</u>
D1006 -	11057	REVERSE FIXED GEAR
D1011	12054	REVERSE SHAFT
D1018 -	12066	SPRING
D1029	12065	DETENT GUIDE
D1083	12069	GASKET
D1097	12058	SPACER
D1103	12056	COUPLING SLEEVE
D1131	12061	GUIDE BUSHING
D1133	12063	SHIFT MECHANISM
D1138	11639	2ND REDUCTION SHAFT 23 TEETH
	12072	2ND REDUCTION SHAFT 21 TEETH
D1163 -	12070	GASKET
D1164	11060	SHIFT LEVER COMEX
D1170	12099	1ST REDUCTION SHAFT
D1173 -	11055	REVERSE MOVING GEAR
D1327	11056	INPUT SHAFT
D1330	12062	FLANGE
D1427	11640	DIFFERENTIAL GEAR 76 TEETH
D2003	12057	RETAINING RING
D2004	12055	BEARING
D2005	12060	BEARING
D2008	12059	DETENT BALL
D2010	11058	SEAL OUTPUT SHAFTS
D2013	12067	SCREW M10X10 MM
D2025	12064	OIL FILL PLUG
D2028	12068	SCREW M4X15 MM
D2034	12071	HEX HEAD SCREW
D2039	11059	SEAL INPUT SHAFT
D2040	12053	BEARING
D2046	12057	RETAINING RING
D3007	11642	CASE HALF
D3018	11641	CASE HALF