

# AMERICAN SPORTWORKS – EMISSION CONTROL SYSTEM WARRANTY

## YOUR WARRANTY RIGHTS AND OBLIGATIONS

The emission control system warranty period for this vehicle begins on the date the vehicle is delivered to the first purchaser other than an authorized dealer, or the date it is first used as a demonstrator, lease, or company vehicle, whichever comes first and continues for 30 months after that date, or 5,000km, whichever comes first, provided there has been no abuse, neglect or improper maintenance of your vehicle. Where a warrantable condition exists, American Sportworks will repair your vehicle at no cost to you, including diagnosis, parts and labor. If an emission-related part on your vehicle is defective, the part will be repaired or replaced by American Sportworks. This is your emission control defects warranty.

## OWNER'S WARRANTY RESPONSIBILITIES

As the vehicle owner, you are responsible for the performance of the required maintenance. It is recommended that you maintain a record of all maintenance performed on your vehicle and retain all receipts covering maintenance on your vehicle. You may not be denied a warranty claim solely because of your failure to ensure the performance of all scheduled maintenance or lack of maintenance records or receipts. You are responsible for presenting your vehicle to an authorized dealer as soon as a problem exists. The warranty repairs should be completed in a reasonable amount of time, not to exceed 30 days. As the vehicle owner, you should be aware that you may be denied your warranty coverage if your vehicle or a part has failed due to abuse, neglect, improper maintenance, or unapproved modifications.

## WARRANTY COVERAGE

American Sportworks warrants, to the initial retail purchaser and each subsequent owner, that each new 2009 and later vehicle:

- is designed, built, and equipped so as to conform at the time of initial retail purchase with all applicable regulations of the United States Environmental Protection Agency, and the California Air Resources Board (for units sold in California); and
- is free from defects in material and workmanship which cause such vehicle to fail to conform with applicable regulations of the United States Environmental Protection Agency or the California Air Resources Board for the periods specified above.

Your emission control system warranty covers components whose failure would increase an engine's emission, including electronic controls, fuel injection system, carburetor, the ignition system, catalytic converter, or any other system utilized in this vehicle to control emission if it is originally equipped. Also included may be hoses, connectors and other emission-related assemblies. Replacing or repairing other components (including parts, labor, and other costs) not covered by this emission control system warranty or the standard warranty is the responsibility of the owner.

**Maintenance, replacement or repair of emission control devices and systems may be performed by any repair establishment or individual; however, warranty repairs must be performed by a service dealer authorized by American Sportworks.** The use of replacement parts not equivalent to the original parts may impair the effectiveness of your vehicle's emission control system. If such a replacement part is used and an authorized dealer determines it is defective or causes a failure of a warranted part, your claim for repair to bring your vehicle into compliance with applicable standards may be denied.

If an emergency situation exists when a warranted part or a dealer is not reasonably available to the owner, repairs may be performed at any available service establishment, or by the owner, using any replacement part. American Sportworks shall reimburse the owner for the expenses, including diagnostic charges, not to exceed the suggested retail price for all warranted parts replaced and labor charges based on the recommended time allowance for the warranty repair and the geographically appropriate hourly labor rate. The owner may reasonably be required to keep receipts and failed parts in order to receive compensation.

This Emission Control System Warranty is in addition to the standard Limited Warranty.

## EXCLUSIONS AND LIMITATIONS

This warranty does not cover the following:

- Failures or malfunctions of the emission control systems caused by abuse, alteration, accident, misuse, the use of leaded gasoline.
- Replacement of expendable maintenance items unless they are original equipment defective in material or workmanship under normal use, and the first required replacement interval for the item has not been reached. Expendable maintenance items include but not limited to spark plugs, filters, coolant, lubricants, gaskets, hoses, and belts.
- Replacements of parts and other services and adjustments for required maintenance.
- Any vehicle equipped with an odometer or hour meter where the reading is altered so that actual mileage cannot be readily determined.
- Repairs or replacements as a result of:
  - Accident
  - Misuse
  - Use of replacement parts or accessories not conforming to the original specifications which adversely affect performance
- Physical damage, corrosion, or defects caused by fire, explosions or similar causes beyond the control of the American Sportworks.
- Failures not caused by a defect in material or workmanship.
- Use of the vehicle in any type of competitive racing or related events immediately and completely voids this and all other warranties.

## LIMITED LIABILITY

The liability of American Sportworks under this Emission Control System Warranty is limited solely to the remedying of defects in material workmanship by an authorized dealer at its place of business during customary business hours. This warranty does not cover inconvenience or loss of use of the vehicle or transportation of the vehicle to/from the authorized dealer. American Sportworks is not liable to any person for incidental, consequential or special damages of any description, whether arising out of express or implied warranty or any other contract, negligence or other tort or otherwise.

No express emission control system warranty is given by American Sportworks except as specifically set forth herein. Any emission control system warranty implied by law, including any warranty of merchantability or fitness for a particular purpose is limited to the express emission control system warranty terms stated in this warranty. The foregoing statements of warranty are exclusive and in lieu of all other remedies. All express warranties not stated in this warranty are disclaimed. Some states do not allow limitations on how long an implied warranty lasts, so the above limitations may not apply if it is inconsistent with the controlling state law.

No dealer is authorized to modify this Emission Control System Warranty. If you have any questions regarding your warranty rights and responsibilities, you should contact American SportWorks at (800) 643-7332 (or you can write to 4404 Engle Ridge Drive, Fort Wayne, IN 46804) or the California Air Resources Board, 9528 Telstar Avenue, El Monte, CA, 91731 (for California registered vehicles only).

### **MY VEHICLE IDENTIFICATION NUMBER**

Record the VIN number and Model number of your American SportWorks vehicle below for service and insurance records. The VIN number is hard tagged on the vehicle frame behind the seat.

VIN: L6LDA0 \_\_\_\_\_

Model: 6152L-\_\_ \_\_

## **AMERICAN SPORTWORKS LIMITED WARRANTY**

American SportWorks (hereinafter referred to as "ASW"), hereby warrants to the original purchaser, that the frame components of new ASW vehicles will be free from defects in material and workmanship. The period of warranty is thirty (30) days from date of purchase for the component parts (except as noted below), and ninety (90) days from the date of purchase for the frame and (1) year from the date of purchase for the engine. ASW, if notified of a defect in material or workmanship during the period of warranty, will repair or replace, at its option, defective parts at no charge, other than the reasonable cost for the transportation of the component(s). ASW will also agree to pay reasonable charges for labor, if necessary, to perform a warranty repair. Proof of Purchase must be provided to an approved ASW service center before any warranty work is performed.

The original purchaser must operate the vehicle and maintain the vehicle in accordance with the instructions provided in the Operator's Manual, the supplements hereto, and labels affixed to the vehicle. Additionally, within (10) days of the discovery of an alleged defect, the original purchaser must contact ASW's Customer Service Department at 1-800-643-7332, 4404 Engle Ridge Drive, Fort Wayne, IN 46804 or via the internet at [www.amsportworks.com](http://www.amsportworks.com). The repair or replacement of any part or parts under this Limited Warranty shall not extend the term of the warranty beyond the original term as set forth above.

**General Exclusions:** This limited warranty does not cover component failure or damage caused by any of the following: abnormal strain or stress, neglect; abuse; improper assembly of components which were supplied in the factory sealed carton after the vehicle left ASW; improper maintenance, improper use of the vehicle, including, but not limited to racing, jumping, stunt driving, overloading, or any other uses prohibited by the Operator's Manual. Additionally, this warranty does not cover component failure or damage to vehicles which are leased, rented, or used at a concession track.

**Specific Exclusions:** This limited warranty does not apply to components, which are subject to normal wear and tear and natural discoloration of material due to ultraviolet light. These items include, but are not limited to, the tires, brakes, throttle, shift and brake cables, drive belt, the torque converter system, chain, seat, lights, fasteners, decals, or cosmetic body panels. Downtime, pick-up and delivery charges are not covered by this warranty.

ASW MAKES NO OTHER WARRANTY OF ANY KIND, EXPRESSED OR IMPLIED. ALL WARRANTIES OF MERCHANTABILITY AND FITNESS FOR A PARTICULAR PURPOSE WHICH EXCEED THE OBLIGATIONS AND TIME LIMITATIONS SPECIFIED IN THE WARRANTY ABOVE ARE HEREBY DISCLAIMED BY ASW AND EXCLUDED FROM THIS WARRANTY. ADDITIONALLY, THIS WARRANTY EXCLUDES ANY INCIDENTAL OR CONSEQUENTIAL DAMAGES, INCLUDING BUT NOT LIMITED TO LOSS OF USE. SOME STATES DO NOT ALLOW A MANUFACTURER TO EXCLUDE OR LIMIT INCIDENTAL OR CONSEQUENTIAL DAMAGES AND, THEREFORE, THE ABOVE EXCLUSION MAY NOT APPLY TO YOU.

SOME STATES DO NOT ALLOW LIMITATIONS ON HOW LONG AN IMPLIED WARRANTY WILL LAST, IT IS POSSIBLE THAT THE ABOVE LIMITATION MAY NOT APPLY TO YOU. THIS WARRANTY GIVES YOU SPECIFIC LEGAL RIGHTS, AND YOU MAY ALSO HAVE OTHER LEGAL RIGHTS, WHICH VARY, FROM STATE TO STATE.

# TABLE OF CONTENTS

<b>SUBJECT</b>	<b>PAGE</b>
<b>I - General Information and Safety</b>	
Emissions Control System Warranty -----	1
Vehicle Records -----	2
Warranty Information-----	2
Table of Contents-----	3
Foreword -----	4
Warnings and Cautions -----	4
Important Safety Information-----	5 - 10
Some Words About Safety -----	10 - 13
<b>II - Vehicle Controls and Operation</b>	
Controls and Features -----	14 - 19
Vehicle Features and Locations -----	19
Are You Ready To Drive? -----	20 - 21
Is Your Vehicle Ready to Drive? -----	21 - 24
Starting Instructions -----	24
Safe Driving Precautions -----	25 - 26
<b>III - Unit Service</b>	
Tire/Wheel Replacement -----	27
Front End Alignment -----	27
General Lubrication -----	27
Air Cleaner -----	28
Engine Lubrication -----	28 - 29
Spark Plug -----	29
Carburetor -----	29
General Cleaning -----	30
Chain Lubrication and Adjustment -----	30
Front and Rear Shock Adjustment -----	30
Shifter Adjustment -----	31
Air Intake Cleaning -----	31
Storage Instruction -----	31
Fastener Torque Chart -----	32
Accessories -----	32
Replacement Parts and Service -----	32
<b>IV - Specifications</b>	
Dimensions -----	33
Engine -----	33
Capacities -----	33
Periodic Check and Service Table -----	34
Electrical Schematic -----	35

## FOREWORD



Congratulations on the purchase of your ASW Vehicle. Before operating this vehicle, the owner and each operator must understand that this vehicle was not designed or manufactured to meet specifications for use on public roads, streets, highways and thoroughfares. The owner, operator(s) and passenger(s) must read and understand all the instructions for proper assembly and safe operation, as well as the instructions concerning the engine and all other portions of the vehicle as described and illustrated in this manual and on the included safety video. Children must be of the specified age or older and supervised by an adult at all times when using this vehicle. This vehicle is not a toy.

Be sure to follow the recommended maintenance schedule and service your vehicle accordingly. Preventative maintenance is extremely important to the longevity of your vehicle. **NOTE: A new vehicle requires an engine break in period of 5 hours, whereby the engine oil MUST be changed (See SERVICE section page 23)**

Inexperienced and first time drivers are urged to seek instruction from a dealer or qualified instructor before and during the initial use of this vehicle. It is also recommended to practice in a large open area to become familiar with the operation of the vehicle.

We hope you will have a fun, safe experience with our products and thank you again for choosing an American Sportworks Vehicle.

## WARNINGS AND CAUTIONS

-  This is the safety alert symbol. When you see this symbol on your machine or in this manual, be alert to the potential for personal injury.
-  Read and follow all instructions in this Owner's/Operator's manual and any accompanying supplements before attempting to operate this vehicle. Make sure to view the Operations and Safety video.

### **WARNING**

Indicates a potential hazard that could result in severe personal injury or death.

### **CAUTION**

Indicates a potential hazard which may result in personal injury or damage to the vehicle.

**NOTE:** Use of the word "**NOTE**" will alert you to key information or instructions.

## **IMPORTANT SAFETY INFORMATION**

### **WARNING**

**Exhaust fumes are toxic.**

- California Proposition 65 WARNING: Gasoline engine exhaust from this machine contains chemicals known to the State of California to cause cancer, birth defects, or other reproductive harm. The engine exhaust contains carbon monoxide, which is a tasteless, odorless, poisonous gas.
- NEVER operate this vehicle indoors or in an enclosed area without adequate ventilation

### **WARNING**

**This vehicle may have been supplied to you completely assembled. To prevent injury or death read and follow the assembly instructions to make sure the unit was assembled properly.**

### **WARNING**

**Check tire pressure before each use.**

- Prior to operating the vehicle check and adjust tire pressure to the proper operating pressure as indicated on the sidewall of each tire or within the specification section of this manual. A tire pressure gauge is required to obtain accurate readings.

### **WARNING**

**Vehicle modification or removal of original equipment or safety decals can render the machine unsafe for operation.**

### **WARNING**

**NEVER adjust, repair, or clean the machine while it is in motion.**

### **WARNING**

**This vehicle is not designed for use on rental tracks of any kind**

### **WARNING**

**Safety decals must be replaced if they become unreadable or detached from the vehicle.**

- If decals are unreadable or missing, warning of potential hazards or safety requirements may be lacking.

 **WARNING**

**The safe operation of this vehicle is dependent upon the operator's ability to exercise proper judgment.**

- Operator and passenger must not be too small or too large for controlled operation.
- Operator and passenger must be of sufficient age, understanding, mental capacity, and physical capacity to safely operate the vehicle.
- Vehicle should only be operated after mature, supervised instruction and sufficient practice in an un-congested area.

 **WARNING**

**Operator and any passengers MUST always wear a properly fitting motorcycle helmet approved by agencies such as the Department of Transportation (DOT), Safety Helmet Council of America (SHCA), or Snell Memorial Foundation (SNELL).**

- Most accident fatalities are due to head injuries.
- Operator (and any passenger) should also wear face shields or goggles, boots, gloves and other appropriate protective clothing.

**(See MACHINE OPERATION)**

 **WARNING**

**Long hair, loose clothes, or jewelry can get caught in moving parts below and behind the seat or surrounding environment.**

- Remove or tie back anything loose that can reach below and behind the seat before riding.

 **WARNING**

**NEVER place hands, feet, or any body parts or clothing near the engine, wheels, chain, and other rotating parts of the vehicle while riding or running the engine.**

- Use caution in performing required maintenance on or near operating engine.
- Use caution after the engine has been running, since the engine and other drive components may be extremely hot.

 **WARNING**

**STOP the engine if the vehicle makes unusual noises or vibrations.**

- Check the vehicle for damage.
- Excessive noise or vibration is a sign of loose or worn parts.

 **WARNING**

**Keep guards in place at all times.**

- Prevent accidental contact by the operator or service personnel while the vehicle is running.
- The guards over the brake, clutch or torque converter, axle and drive sprockets also help prevent mud and debris from coming in contact with those items.

 **WARNING**

**Be sure the passenger restraint system (i.e. Seat Belt) is properly adjusted and fastened at all times during operation.**

- If the passenger restraint system is not properly used by the operator and/or passengers, loss of control and possible personal injury and/or vehicle damage can occur.

 **WARNING**

**When there is no passenger in the vehicle, the passenger seatbelt must be securely fastened within the vehicle.**

- If the passenger restraint system is not properly used by the operator and/or passenger, loss of control and possible personal injury and/or vehicle damage can occur.

 **WARNING**

**All screws, nuts, and bolts must be properly tightened to make sure the vehicle is in safe operating condition.**

 **WARNING**

**Prevailing-torque type locknuts must be replaced with new after the old locknuts have been removed.**

- Replace with the same type of locknut to make sure they function properly. Refer to the maintenance section for more information on locknuts.

 **WARNING**

**Keep the engine free of dirt and debris, especially in the throttle linkage area.**

 **WARNING**

**NEVER start the engine without the operator properly seated and the restraint system properly adjusted and secured.**

 **WARNING**

**NEVER start the engine without checking to see that the throttle control is in idle position.**

 **WARNING**

**NEVER tamper with, alter, or change the vehicle engine governor settings.**

- The governor as set by the engine manufacturer, limits maximum engine speed and protects the engine from damage.
- Excessive engine speed is potentially dangerous to operator, passengers, bystanders, and engine.

 **WARNING**

**Check fuel supply before each use.**

- NEVER fill fuel tank while the engine is running or hot.
- DO NOT overfill tank.
- ALWAYS allow at least ½” of expansion space at the top of tank.
- There should not be any fuel in the filler neck.
- Replace cap tightly to prevent a fuel spillage fire hazard.

**NOTE:** Always use an original gas cap or OEM replacement.

- NEVER fill fuel tank while the vehicle is inside a building.
- After filling the tank, move the vehicle at least ten feet before attempting to start the engine.

 **WARNING**

**ALWAYS use extreme caution when starting the engine.**

- Hot engine, muffler, or drive components can burn on contact.

 **WARNING**

**Wet, slippery, rough, or sloped terrain is potentially dangerous and may result in injury if proper caution is not observed.**

- ALWAYS SLOW DOWN
- Operator must use mature judgment, skill, and experience to choose a speed suitable for terrain and riding conditions in protecting operator and any bystanders.
- Operator must use mature judgment, skill and experience in choosing suitable terrain for individual operational capabilities.

 **WARNING**

**When turning on pavement, loose gravel, or similar surfaces, there is an increased risk in loss of control.**

**\*\* ALWAYS SLOW DOWN! \*\***



 **WARNING**

**ALWAYS SLOW DOWN when turning.**

- High-speed turning can cause loss of control and/or possible operator injury.
- Turning on a slope increases the risk of rollover.
- Practice operation is required to coordinate turning skill.
- Failure to operate this vehicle at a safe speed while turning can result in a strong possibility of severe personal injury.

 **WARNING**

**Washing or operating the vehicle in freezing temperatures can result in water freezing in the throttle cable conduit and/or on the throttle mechanism.**

- This may result in the throttle sticking which can cause the engine to continue to run and result in loss of control.

 **WARNING**

**Operating the vehicle in conditions where water, mud, snow, dirt, sand, or other debris can get into the throttle cable conduit and/or on the throttle mechanism can cause binding of the cable and/or the throttle mechanism.**

- This may result in the throttle sticking which can cause the engine to continue to run and result in loss of control.

 **WARNING**

**Assembly, maintenance, and/or repair of this vehicle should only be performed by designated dealers or authorized small engine centers (for engine repairs) so that no unsafe conditions or modifications are made.**

 **WARNING**

**Read and keep all supplied printed material.**

- Supplements to this Operator's Manual contain updated information relative to your specific vehicle model. It is important to keep all of these documents for reference.

 **WARNING**

**When making repairs or adjustments to the vehicle, the spark plug wire MUST be disconnected and kept away from the spark plug to prevent accidental starting.**

- When working on, around, or restarting engine, use extreme caution to avoid contact with the muffler, cylinder head or any potentially hot area on or around the engine.
- Ensure that all guards are in place prior to starting the engine.

 **CAUTION**

**During vehicle storage, keep it in a place where gasoline fumes will not reach an open flame, spark, or other source of ignition. For long term storage:**

- Disconnect the battery
- Drain fuel tank and carburetor bowl in a well ventilated, open, cool area.
- Engine must be allowed to cool before storage in any enclosure.
- NEVER store the vehicle in close proximity to appliances such as hot water heaters or furnaces.

 **WARNING**

**NEVER operate the vehicle while under the influence of alcohol, drugs, or medication of any kind.**

- Such operation is dangerous to yourself and/or others.

 **CAUTION**

**Brush Bars assembled to this vehicle are for decorative purpose and limited brush protection.**

- Brush Bars were not designed for roll over or to restrict all brush or tree branches from protruding into operator/passenger compartment.

 **CAUTION**

**If the vehicle should start making unusual noise or vibrating abnormally, the engine should be stopped and the spark plug wire disconnected. The vehicle should then be checked for damage. Excessive noise or vibration is generally a warning of loose or worn parts.**

 **CAUTION**

**Clogged air intake will overheat the engine causing damage to internal components and will void the warranty. Always clear debris from the air intake located on the passenger side of the engine housing.**

## **SOME WORDS ABOUT SAFETY**

The following pages present important information and recommendations to help you drive your vehicle safely. Please read through these pages thoroughly and view the Safety DVD that was included with your unit.

## SAFETY LABELS

The following labels have been applied to your unit and should be considered as permanent parts of the vehicle. If a label should come off, become hard to read, or become damaged, contact your dealer or American SportWorks Customer Service department for warning label replacements.

**⚠ WARNING**

**GUARD MUST BE IN PLACE**  
This guard must be in place during engine operation. Keep hands, feet, and loose garments away from engine, chain, and drive components.


**⚠ CAUTION**

**DO NOT PUT FOOT ON DRIVE COVER**

11330-C

**⚠ WARNING**

**PINCH HAZARD**  
Exercise caution when working on drive components. Drive chain turns when vehicle is in motion. **Chock wheels before removing drive cover.** Never remove drive cover or attempt to service with engine running.



11330-R

**⚠ CAUTION**

**DO NOT SHIFT WHILE IN MOTION**

**D** To change gears, stop the vehicle. Shift with the engine at idle.

**N** Shifting gears with the engine speed above idle or with the kart in motion may cause transmission damage

11330-Q

**⚠ WARNING**

**CHECK TIRE PRESSURES**  
Improper inflation of tires can cause loss of control, resulting in serious injury or death. Refer to Owner's Manual for proper operating pressure.



11330-D

**⚠ WARNING**

**EXHAUST GAS HARMFUL**  
Engine exhaust from this product contains chemicals, known in certain quantities to cause cancer, birth defects, or other reproductive harm.



11330-N

**⚠ WARNING**

**HOT SURFACES**  
Surfaces around the engine and exhaust can be extremely hot. Allow surfaces to cool before servicing.



11330-A

**⚠ WARNING**

**LIGHTS ARE FOR DAYTIME USE ONLY**  
These lights are daytime running lights only and are intended to increase visual awareness of this vehicle during daytime use. These lights are not intended for nighttime operation of the kart.

13403

**⚠ WARNING**

**Under 13 Age**  
This vehicle is not to be operated by anyone under 13 years of age. A speed reduction kit is available for this vehicle.



11330-T

**⚠ WARNING**

**NO RIDING**  
All occupants must be inside the vehicle and wearing the proper restraints and safety gear. Absolutely **no riding on the outside of the vehicle** or on the cargo rack.



11330-K

**⚠ WARNING**

**ALWAYS WEAR SEATBELT**  
Seatbelt must be properly fastened and adjusted for each occupant prior to operating the vehicle; See Owner's Manual.



11330-I

**⚠ WARNING**

**ENTANGLEMENT HAZARD**  
Shoulder length and longer hair or loose clothing can get caught in moving parts behind or below the seat. **Restrain hair at or above shoulder level.** Restrained hair must not interfere with the proper fit of the helmet. **Securely restrain anything loose** that reaches behind or below the seat.



11330-B

**⚠ WARNING**

**WEAR A HELMET**  
Always wear a D.O.T.-approved motorcycle helmet when operating this vehicle.



11329

**⚠ WARNING**

**OBSERVE THE FOLLOWING INSTRUCTIONS**  
Failure to understand and follow Warnings and Instructions for the safe use and maintenance of this product may result in **Death or Injury!** This information is contained in the Warning Labels, Owner's Manual & Supplements, Safety Video, and Engine Manual supplied with this product. Make sure that you understand and follow all Warnings and Instructions in this material.

- Read owner/operator manuals carefully.
- Adult supervision required.
- Always wear a D.O.T.-approved motorcycle helmet, eye protection, and protective clothing.
- Do NOT operate the vehicle without the brush bars securely in place.
- Keep all covers and shields properly installed.
- Throttle, Stop Switch, and Brake Controls must work properly and freely before starting the engine.
- Operator must be seated, safety belt must be fastened, and brake applied before operating the vehicle.
- Not legal for street use. Use only on flat, level, off-road terrain.
- Not designed for racing or commercial use.
- Never operate at speeds too fast for your skills or the conditions.
- Never attempt jumps or other stunts.
- Never ride after consuming alcohol, drugs, or other intoxicants.

If you did not receive any of the material listed above, please call **1-800-643-7332** and request to have them sent to you at no charge.

11330-J

## **QUALIFICATIONS FOR USERS**

This vehicle is recommended for use by operator and passenger with a minimum age of thirteen (13) years. Vehicles are intended for use by operators who meet the physical and cognitive capabilities set out by the manufacturer in the material provided with the vehicle.

### **Consumer Responsibility for Safe Use and Maintenance of a Vehicle**

1. Vehicle shall not be modified from the manufacturer's original design and configuration.
2. Vehicle shall not be used to perform racing, stunt riding, jumps, spinouts, donuts, or other maneuvers as they may cause loss of control. As such, these activities are likely to result in possible injury to the operator, bystanders, or both.
3. Prior to each use, the operator shall perform the preoperational checks specified by the manufacturer, and further verify:
  - a. Smooth throttle operation and positive return of the throttle linkage to a closed throttle position when released;
  - b. That the throttle cable and linkages operate properly and the throttle cable or other linkages be adjusted properly;
  - c. That the steering linkage is adjusted and operates smoothly;
  - d. That the engine stop switch is properly functioning;
  - e. That all guards originally supplied by the manufacturer are in proper place in serviceable condition;
  - f. That engine idle speed is below the point of clutch or torque converter engagement;
  - g. That the gas tank is in good condition and the proper gas cap is fastened securely;
  - h. That the braking system is functioning properly;
  - i. That all safety labels are in place, legible and understood;
  - j. That any and all axle guards, chain guards, torque converter covers, or other covers or guards supplied by the manufacturer are in place and in serviceable condition;
  - k. That tires are in good condition, inflated properly, and have sufficient tread remaining; and
  - l. That all fasteners are in place and tightened securely.
4. Vehicle engines shall not be started unless the operator is seated in proper position for vehicle operations and the brake fully engaged.
5. Long hair, loose clothes, or jewelry can get caught in moving parts below the seat or surrounding environment. Remove or tie back anything loose that can reach below or behind the seat before riding.
6. Vehicles shall only be fueled by an operator knowledgeable with regard to proper fueling techniques.
7. All operators or riders shall be knowledgeable, capable, and have the cognitive capacity to operate the vehicle safely, including those items specified in 1 through 6.
8. Vehicle operators and passengers shall adhere to all manufacturer's recommendations and instructions, as well as comply with all laws and ordinances, as well as:
  - a. Operators shall stay seated with both hands on the steering wheel and both feet in the vehicle at all times, whether moving or stationary, unless the vehicle is stopped completely and the engine has been shut off.

- b. Passengers shall remain seated with arms and legs inside the vehicle at all times during vehicle operation.
- c. Shall observe minimum age restrictions.
- d. Shall not ride the Vehicle if long hair, loose clothes, or jewelry reach below or behind the seat.

 **WARNING**

**Long hair, loose clothes, or jewelry can get caught in moving parts below and behind the seat or surrounding environment. Remove or tie back anything loose that can reach below or behind the seat before riding.**

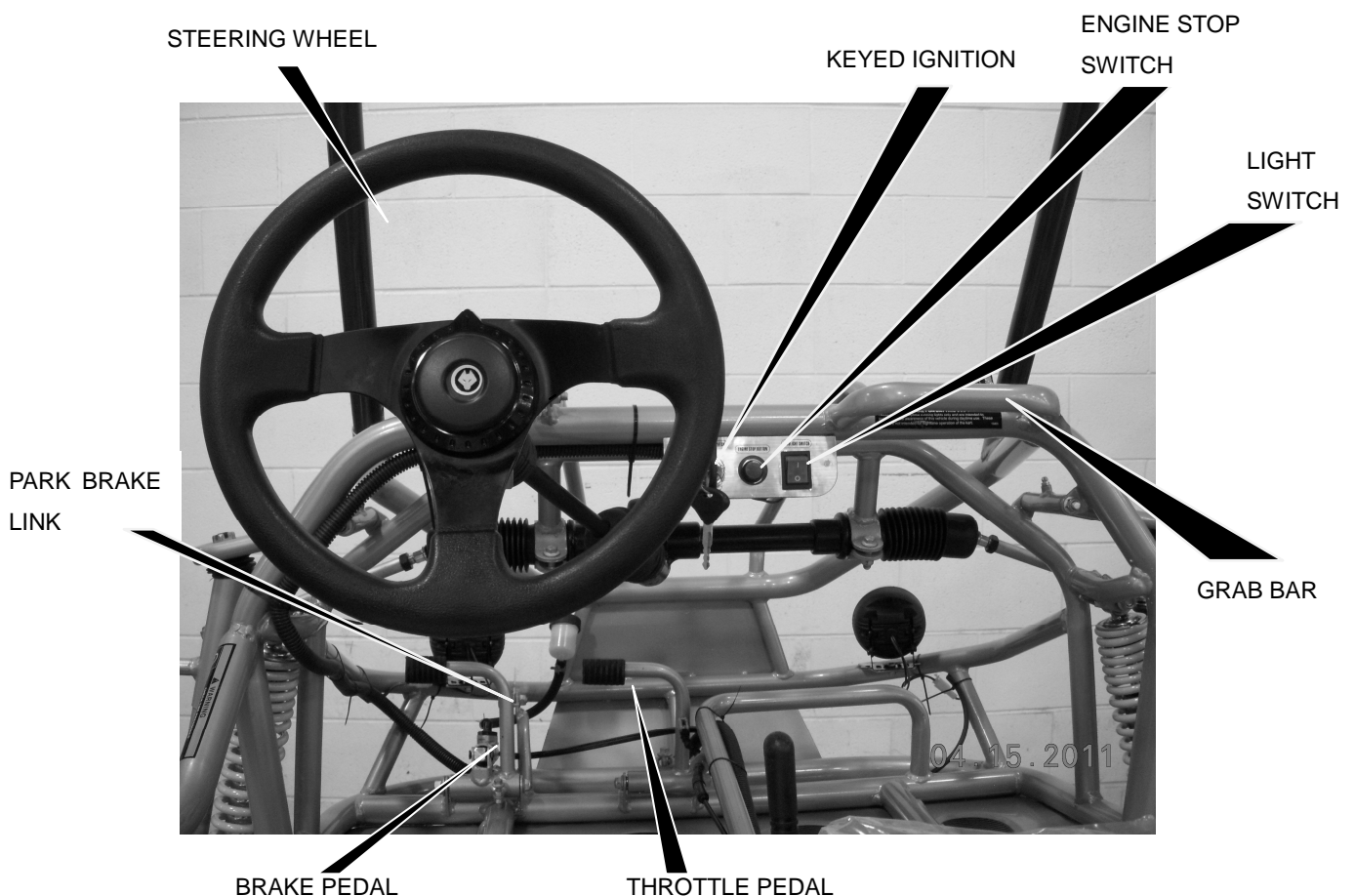
- e. Shall not allow smoking in vehicle.
  - f. Persons under the influence of drugs, alcohol, or intoxicants shall not supervise, operate, or ride in a vehicle.
- Vehicles shall operate only on a surface or terrain recommended by the vehicle's manufacturer.
- g. Vehicles shall not be operated on roads, streets, highways, or any other location where road vehicles are intended to travel unless specifically designed and designated for such use.
  - h. Vehicles shall be operated only with adequate lighting and under conditions of suitable visibility.
9. Persons with the following conditions shall not ride in or operate a Vehicle:
- a. Those with heart conditions
  - b. Pregnant women
  - c. Persons with head, back, or neck ailments, or prior surgeries to those areas of the body.
  - d. Persons with any mental or physical conditions, which may make them susceptible to injury or impair their physical dexterity or mental capabilities to recognize, understand, and perform all of the safety instructions, and be able to assume the hazards inherent in vehicle use.
10. Vehicle shall not be used to:
- a. Transport a passenger, or passengers, except in the seating area(s) provided.
  - b. Transport materials or equipment in excess of the rated cargo capacity;
11. Vehicle operators always shall use appropriate protective clothing, including but not limited to a motorcycle type helmet and eye protection, with appropriate certification, and any other equipment recommended by the vehicle manufacturer including gloves, footwear, long sleeve shirts, and long pants.
12. No operator or other person shall contact any portion of the engine, wheels, or drive train for any purpose including maintenance until the engine has been turned off and allowed to cool, and the vehicle is in a stable and stationary position.
13. Passenger restraints must be used in accordance with, and limited to, the manufacturer's guidelines.
14. Vehicle components shall be maintained and repaired in accordance with the manufacturer's specifications and utilizing only the manufacturer's authorized replacement parts with installation performed by designated dealers or other skilled persons.

## II - VEHICLE CONTROLS AND OPERATION

### Controls and Features

#### **⚠ WARNING**

Do not attempt to start or operate the engine until completely familiar with the location and use of each control necessary to operate this vehicle. The operator must know how to stop this machine before starting and driving it.



#### **A. Throttle**

The foot pedal on the right is the throttle (See Figure), to control the speed of the vehicle. As the engine speed increases above idle, the clutch automatically engages and moves the vehicle forward. To disengage the clutch at any time, allow the throttle to return to the idle position.

#### **⚠ WARNING**

Every time, prior to starting the engine, check the throttle assembly to ensure that when the pedal is pushed all the way forward the assembly is working smoothly and returns to idle when released. Do not operate this unit if pedal or engine throttle linkage fail to return to the idle position. If unable to correct the problem through lubrication, adjustment or replacement of worn parts, contact your dealer for assistance.

## B. Brake

The brake is controlled by the foot pedal on the left (See Figure). Applying pressure to the pedal draws the brake pads against the brake disc at the rear wheels and slows or stops the vehicle.

## C. Parking Brake



This vehicle is equipped with simple latch type parking brake. The parking brake latch can be found between the throttle and brake pedal. To apply the parking brake, simply depress the brake pedal and flip the latch over towards the pedal. Allow the teeth on the lever to engage with the pedal protrusion. To disengage, depress the pedal, and rotate the latch forward and clear of the brake pedal.

## C. Lights



This vehicle may be equipped with optional front running lights. To turn the running lights on, flip the switch located next to the keyed ignition on the dashboard of the unit.

## D. Keyed Ignition Switch



For parental control and added security, this unit is equipped with a keyed ignition switch. If equipped, lights are turned off when the key switch is in the "OFF" position. Reference page 21 for specific starting instructions.

## E. Seat Adjustment

The unit is equipped with an adjustable seat. To adjust, lift the levers just in front of the seat bottom and move the seat either forward or backward. Release the levers at the desired seat location, ensuring that they both snap back into place to lock the seat.

## **WARNING**

**Never operate this vehicle when the seat is not securely locked into position. Serious injury or death could occur due to loss of control. Always make seat adjustments with the vehicle fully stopped and the engine shut off.**

## F. Occupant Restraints



This vehicle is equipped with automotive style 3 point retracting seat belts. Insert the metal tongue into the buckle until it is securely attached. Final adjustments should be made with the plastic tension stop such that the belt is against the shoulder and chest with no excess slack.

This vehicle is also equipped with a passenger grab bar located on the dash directly in front of the passenger seat.

## J. Gear Selection



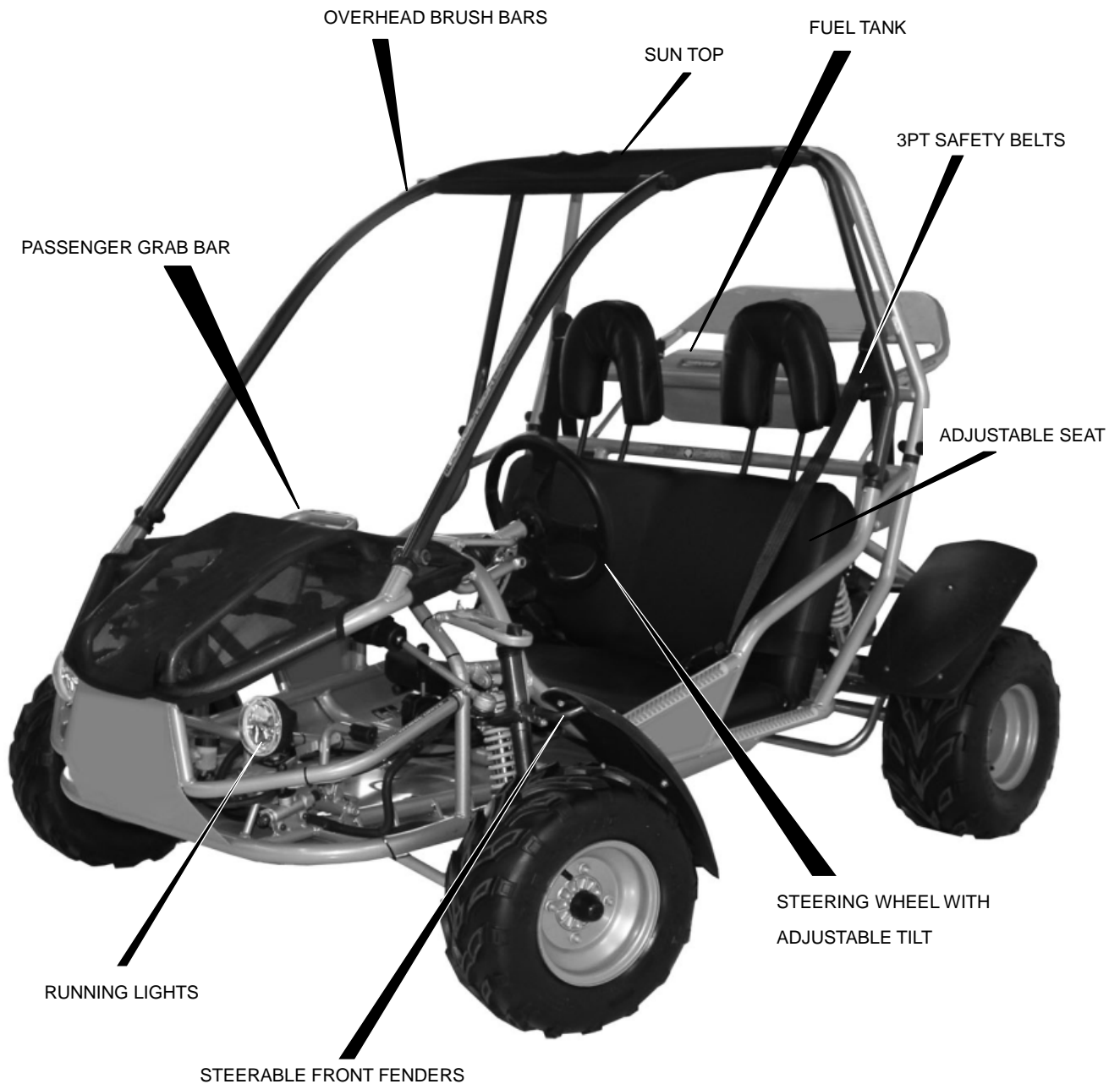
This vehicle is equipped with a Forward / Neutral / Reverse transmission. To shift gears, always bring the vehicle to a complete stop and let the engine RPM stabilize to the idle level. With the brake applied,

move the shift lever to the desired gear and gently depress the throttle pedal.

**⚠ CAUTION**

Damage to the vehicle will occur if the unit is shifted into a different gear while the vehicle is still in motion. **ALWAYS** bring the vehicle to a complete stop before selecting a different gear.

## VEHICLE FEATURES AND LOCATIONS







## **ARE YOU READY TO DRIVE?**

Before each drive, you need to make sure that you and your vehicle are both ready to drive. To help get you prepared, this section discusses how to evaluate your driving readiness, what items you should check on your vehicle, and adjustments to make for your comfort, convenience, or safety. Before you drive your vehicle for the first time, we urge you to:

- Read this owner's manual and the labels on your vehicle carefully.
- Make sure you understand all the safety messages.
- Know how to operate all the controls.
- View and understand the included safety DVD

### **Protective Apparel**

Although complete protection is not possible, wearing proper gear can reduce the chance of injury should you have an accident. The following suggestions will help you choose the proper protective gear.

### **Helmet and Eye Protection**

Your helmet is your most important piece of protective gear because it offers the best protection against head injuries. A helmet should fit your head comfortably and securely.

Open-face helmets offer some protection, but a full-face helmet offers more. Regardless of the style, look for a D.O.T. (Department of Transportation) or Snell Memorial Foundation (SNELL) sticker on any helmet you buy. Always wear a face shield or goggles to protect your eyes and help your vision.

### **WARNING**

**Operating this vehicle without wearing an approved motorcycle helmet, eye protection, and protective clothing could increase your chances of head and/or eye injury, and the possibility of death in the event of a severe accident.**

**Always wear an approved motorcycle helmet that fits properly and wear eye protection (goggles or face shield), gloves, boots, long-sleeved shirt or jacket and long pants.**

### **Additional Driving Gear**

In addition to a helmet and eye protection, we also recommend:

- Sturdy boots to help protect feet, ankles, and lower legs.
- Gloves to help protect your hands

## Driver Training

Developing your driving skills is an ongoing process. Even if you are an experienced driver, take time to become familiar with the controls and how the vehicle handles. Practice driving in a safe, open area to develop your skills. Do not drive on rough terrain until you get accustomed to the vehicle controls and feel comfortable with its size and weight.

### **WARNING**

**Operating this vehicle without your seat belt could cause you to be thrown from the unit, causing serious injury or death.**

## No Alcohol or Drugs

Alcohol, drugs and vehicles don't mix. Even a small amount of alcohol can impair your ability to operate a vehicle safely. Likewise, drugs, even if prescribed by a physician, can be dangerous while operating a vehicle. Consult your doctor to be sure it is safe to operate a vehicle after taking medication.

### **WARNING**

**Operating this vehicle after consuming alcohol or drugs can seriously affect your judgment, cause you to react more slowly, affect your balance and perception, and could result in serious injury or death. Never consume alcohol or drugs before or while operating this vehicle.**



## IS YOUR VEHICLE READY TO DRIVE?

Before each drive, it is important to inspect your vehicle and make sure any problems you find are corrected. A pre-drive inspection is a must, not only for safety, but because having a breakdown, or even a flat tire, can be a major inconvenience.

If your vehicle has overturned or has been involved in a collision, do not drive it until your vehicle has been inspected by your dealer. There may be damage or other problems that you cannot see.

### **WARNING**

**Improperly maintaining this vehicle or failing to correct a problem before driving can cause an accident resulting in serious injury or death.**

**Always perform a pre-drive inspection before every drive and correct any problems.**

## Fueling Your Vehicle

The fuel tank is located behind the seat on this vehicle. With the vehicle in a well ventilated area, and following the warnings listed below, unscrew the fuel cap and fill the tank with a mid-grade unleaded gasoline (89-93 Octane). Replace the cap securely.

### **WARNING**

#### Check fuel supply before each use.

- NEVER fill fuel tank while the engine is running or hot.
- DO NOT overfill tank.
- ALWAYS allow at least ½" of expansion space at the top of tank.
- There should not be any fuel in the filler neck.
- Replace cap tightly to prevent a fuel spillage fire hazard.

**NOTE:** Always use an original gas cap or OEM replacement.

- NEVER fill fuel tank while the vehicle is inside a building.
- After filling the tank, move the vehicle at least ten feet before attempting to start the engine.

### **CAUTION**

**This engine is not designed for Flex Fuel operation. Attempting to use anything other than the mid-grade 89-93 octane automotive fuels will cause damage to the engine.**



## Pre-Ride Inspection

The following checklist should be utilized to inspect your vehicle before each use to ensure that it is in proper working order.

### ENGINE STOPPED CHECKLIST

Yes	No	ITEM	INSPECTION PROCEDURE	ACTION
<input type="checkbox"/>	<input type="checkbox"/>	Engine Oil Level	Oil Level – <i>Check dipstick</i>	Add - Ref page 28
Y	N		Leaks - <i>Check for leaks</i>	Check drain and filler plug
			<i>Tighten Filler Cap/Dipstick</i>	for tightness
<input type="checkbox"/>	<input type="checkbox"/>	Fuel	Level - <i>Add fuel if necessary</i>	Ref page 22
Y	N		<i>DO NOT overfill</i>	DO NOT refuel a hot engine
			<i>DO NOT mix oil with gas</i> <i>Replace cap and tighten</i>	
<input type="checkbox"/>	<input type="checkbox"/>	Warning Decals	<i>Ensure that all warning decals</i>	Replace as necessary
Y	N		<i>are legible and securely attached</i>	
<input type="checkbox"/>	<input type="checkbox"/>	Tires	Tread – <i>1/8" min depth</i>	Replace as necessary
Y	N		Pressure – <i>15 PSI with gauge</i>	Inflate as necessary

<input type="checkbox"/>	<input type="checkbox"/>	Drivetrain	Chain Tension – <i>½”-3/8” slack</i>	Ref page 30
Y	N		Chain Lubrication	Ref page 30
<input type="checkbox"/>	<input type="checkbox"/>	Throttle	Smooth Operation – <i>Ensure pedal ‘snaps’ back to idle</i>	Replace damaged cable or lubricate w/spray lube
Y	N		Cable – <i>check for loose or frayed cable</i>	Replace damaged cable
			Mud / Debris / Ice – <i>Ensure that mechanism is free and clear</i>	Clean out mud / debris Move unit to warm location to de-ice
<input type="checkbox"/>	<input type="checkbox"/>	Fasteners	Wheel Fasteners – <i>Ensure all wheel nuts are tight</i>	Tighten – Ref page 32
Y	N		Missing / Loose Fasteners – <i>ensure all fasteners are present and securely tightened</i>	Replace missing fasteners Tighten – Ref page 32
<input type="checkbox"/>	<input type="checkbox"/>	Brush Bars	In place and attached	Replace as necessary Tighten – Ref page 32
Y	N			
<input type="checkbox"/>	<input type="checkbox"/>	Steering	Operation – <i>Ensure steering turns freely</i>	Lubricate – Ref page 27
Y	N		Toe – <i>Ensure toe is adjusted properly</i>	Adjust – Ref page 27
<input type="checkbox"/>	<input type="checkbox"/>	Frame/Chassis	Bent / Damaged – <i>Check for damaged components</i>	Replace as necessary
Y	N			
<input type="checkbox"/>	<input type="checkbox"/>	Battery	Connections – <i>Ensure both terminals securely fastened</i>	Tighten as necessary
Y	N		Corrosion – <i>Ensure that no corrosion is present</i>	Clean as necessary
			Cover / Strap – <i>Ensure that battery is secure in holder</i>	Replace / Secure as necessary
<input type="checkbox"/>	<input type="checkbox"/>	Guards	Location - <i>In place</i>	Replace as necessary
Y	N		Condition – <i>Ensure that Guards are not damaged</i>	
<input type="checkbox"/>	<input type="checkbox"/>	Lights	Operation – <i>Ensure that lights, including the brake light, are properly functioning</i>	Replace bulbs as necessary
Y	N			
<input type="checkbox"/>	<input type="checkbox"/>	Suspension	Operation – <i>Ensure that ball joints, shocks and bushings are moving freely</i>	Replace / Lubricate as necessary with grease
Y	N		Fasteners – <i>Ensure that all fasteners are in place and securely tightened</i>	Tighten – Ref page 32
<input type="checkbox"/>	<input type="checkbox"/>	Seat Belts	Operation – <i>Ensure that belt extend and retract, ensure that latches are operational</i>	Replace as necessary
Y	N			
<input type="checkbox"/>	<input type="checkbox"/>	Park Brake	Operation – <i>Engage brake and</i>	Adjust as necessary
Y	N			

Attempt to roll the unit forward

Cooling Fan  
Y N

Operation – Ensure that fan is free of debris  
Clean - Ref page 30

## Starting Instructions



The following instructions list the proper method for starting your vehicle. *Note: Refer to the Assembly Instructions provided with this vehicle for the initial start up procedure if this is the first time starting this unit.*

- 1) Ensure that the remote engine stop switch, located on the electrical box just above the engine, is in the “RUN” position
- 2) Apply the parking brake
- 3) Fasten seatbelt
- 4) Pump the throttle pedal several times to ensure that the pedal operates and returns smoothly
- 5) Insert the key into the ignition and turn to the “START” position allowing the engine to turn over. *Caution: Do not let the engine turn over for more than 5 seconds at a time, as this may cause starter damage.*
- 6) Once the engine is started, let off the key switch and let the engine idle for several minutes until the auto-choke feature releases and allows the engine idle to stabilize.
- 7) The key switch should always be turned to the “OFF” position when the vehicle is not in use to ensure all lights are off and to prevent draining of the battery.

## ENGINE STARTED CHECKLIST

Yes	No	ITEM	INSPECTION PROCEDURE	ACTION
<input type="checkbox"/> Y	<input type="checkbox"/> N	Ignition Switch	Operation – Ensure that engine shuts off when key is turned to the “OFF” position	Repair/Replace as necessary
<input type="checkbox"/> Y	<input type="checkbox"/> N	Engine Idle	Operation – Ensure that engine idle is set such that unit shifts smoothly without gear noise	Ref page 29
<input type="checkbox"/> Y	<input type="checkbox"/> N	Brakes	Operation – Ensure brakes are functioning properly	Depress pedal

## OPERATION - SAFE DRIVING PRECAUTIONS

**Off-Road Use:** This vehicle and its tires are designed and manufactured for off-road use only, not for use on paved surfaces. Driving on paved surfaces can affect the vehicle handling, control, and cause excessive wear to your tires.

### **WARNING**

**Operating this vehicle on paved surfaces may seriously affect handling and control of the vehicle, and may cause the vehicle to go out of control.**

When driving off-road, remember to always obey local off-road driving laws and regulations. Obtain permission to drive on private property. Avoid posted areas and obey "NO TRESPASSING" signs.

 **WARNING**

**Operating this vehicle on public streets, roads or highways could result in a collision with another vehicle. This vehicle is not street legal, and should never be operated on any public streets, roads or highways, whether they are dirt, gravel or paved surfaces.**

## Keep Hands and Feet on Controls

When driving your vehicle, always keep both hands on the steering wheel and feet near the foot controls. It is important to remain alert and remain focused when driving the vehicle. Removing hands or feet away from the controls can reduce your ability to react and maintain control of the vehicle.

 **WARNING**

**Removing your hands from the steering wheel or feet from the foot controls during operation can reduce your ability to control the vehicle and could result in a collision. Always keep both hands on the steering wheel and feet near the foot controls of your vehicle during operation.**

## Control Speed

Driving at excessive speeds increases the likelihood of an accident. In choosing an appropriate speed, you must consider the capability of your vehicle, the terrain, visibility and other operating conditions, in addition to the skill and experience of the driver.

 **WARNING**

**Operating this vehicle at excessive speeds increases your chances of losing control of the vehicle, resulting in an accident. Always drive at a speed that is appropriate for your skill, your vehicle, the terrain, visibility and other operating conditions.**

## Use of this Vehicle on Unfamiliar or Rough Terrain

Before driving in an unfamiliar area, always check the terrain thoroughly. Don't drive fast on unfamiliar terrain or when visibility is limited (it is often difficult to react to hidden obstructions like rocks, bumps, or holes).

## **⚠ WARNING**

Failure to use extra care when operating this vehicle on unfamiliar terrain could result in the vehicle overturning or going out of control. Go slowly and use extreme caution when operating on unfamiliar terrain. Always be alert to changing terrain conditions when operating the vehicle.

Maintain a safe distance between your vehicle and other off-road vehicles. Always exercise caution and use extreme care on rough, slippery and loose terrain.

## **⚠ WARNING**

Failure to use extra care when operating on excessively rough, slippery or loose terrain could cause loss of traction or vehicle control, resulting in an accident or overturn. Do not operate on excessively rough, slippery or loose terrain until you have learned and practiced the skills necessary to control the vehicle on such terrain. Always be especially cautious on these types of terrain.

## **Do Not Perform Stunts**

You should always operate your vehicle in a safe and reasonable manner. When driving, always keep all four wheels on the ground.

## **⚠ WARNING**

Attempting wheelies, jumps, and other stunts increase the chances of an accident, including an overturn. Never attempt stunt riding of any type and ride responsibly. Don't try to show off.

## **III – UNIT SERVICE**

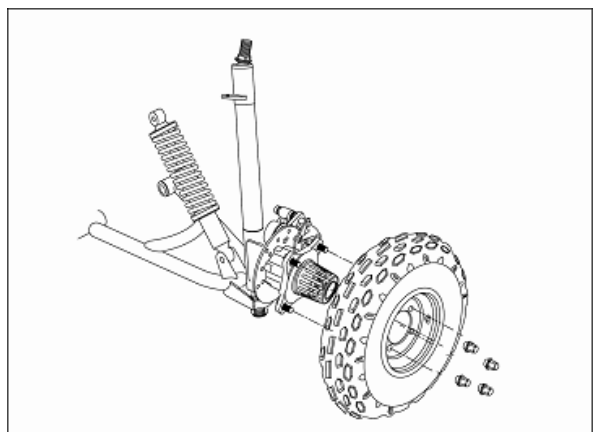
**Note:** Maintenance, replacement or repair of emission control devices and systems may be performed by any repair establishment or individual; however, warranty repairs must be performed by a service dealer authorized by American Sportworks.

### **A. Front Wheel Replacement**

Do not disassemble the castle nuts when you replace the front wheels. It is only necessary to remove the 4 lug nuts to remove the wheel. (See Figure)

Wheel nuts should be tightened and torqued to 36lb-ft.

### **B. Rear Wheel Replacement**



Do not disassemble the castle nuts when you replace the rear wheels. It is only necessary to remove the 4 lug nuts to remove the wheel. (See Figure)

Wheel nuts should be tightened and torqued to 36lb-ft.

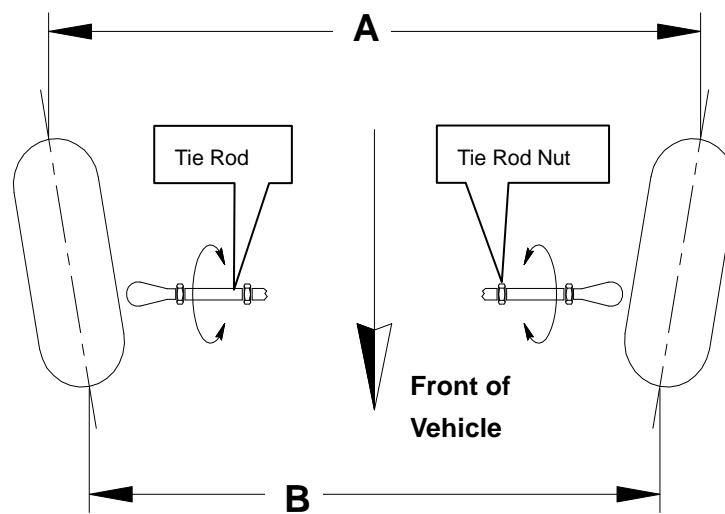
#### WHEEL ATTACHMENT

### C. Front Wheel Alignment (Ref Toe Adjustment Diagram)

The front wheels should be set with a “toe-in” from 1/4” to 3/8”. At the centerline of the tires, measure the Distance A and the Distance B. For proper toe adjustment, Dimension A should be 1/4” – 3/8” **GREATER** than Dimension B.

To make adjustments:

- Loosen the lock nuts on both sides of Front Tie Rods.
- Ensure the steering wheel is centered, and adjust Dimension B by equally rotating the tie rods in or out with a 12mm wrench.
- After adjusting to the desired length, tighten the lock nuts against the rod end.
- Recheck the dimensions for proper alignment.



Toe Adjustment Diagram

### D. General Lubrication

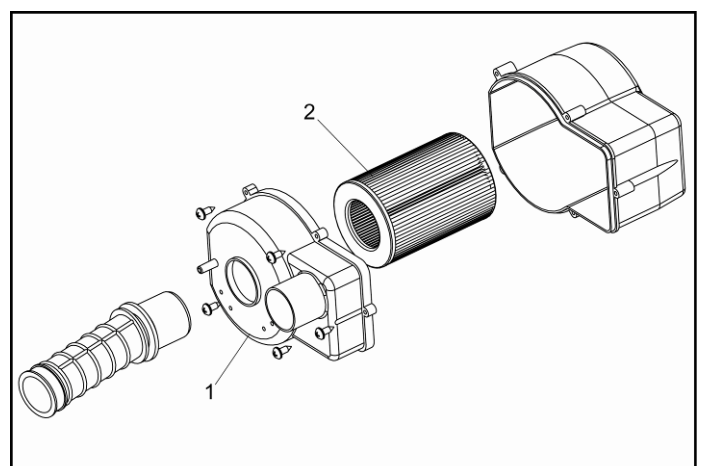
This unit has grease fittings located at several points on the suspension and should be routinely lubricated for maximum performance. Front suspension grease fittings are located at the connection points of the upper and lower A arms.

### E. Air Cleaner

This unit is equipped with a paper style air filter element and should be replaced after every 20 hours of operation (Ref Figure). Air cleaner is part of the engine swing-arm assembly and is located on the passenger side of the unit above the engine.

**NOTE: Operation in unusually dusty conditions may require more frequent replacement.**

- Remove the air cleaner cover (1) by removing the Phillips head screws.
- Clean any excess dirt, oil, or dust from the air cleaner box with a mild detergent and water solution.



Air Filter Assembly



- 3) Thoroughly dry the air box
- 4) Replace the air cleaner element (2)
- 5) Carefully align the gasket between the air box halves during re-assembly

#### F. Engine Lubrication

You **MUST** change the oil in the crankcase after the first 5 hours of operating a new engine. The engine oil should then be changed every 25 hours of use thereafter. This will insure proper lubrication of the internal parts and prevent costly repairs due to excessive wear.

### CAUTION

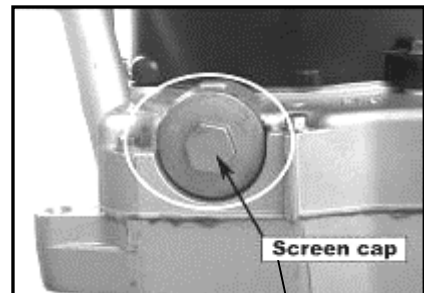
This unit has been shipped with special **BREAK-IN** oil pre-filled in the engine crankcase. This oil **MUST** be changed after 5 hours of operation. Replace with SAE 10W40 weight motor oil as described in the following section.

### WARNING



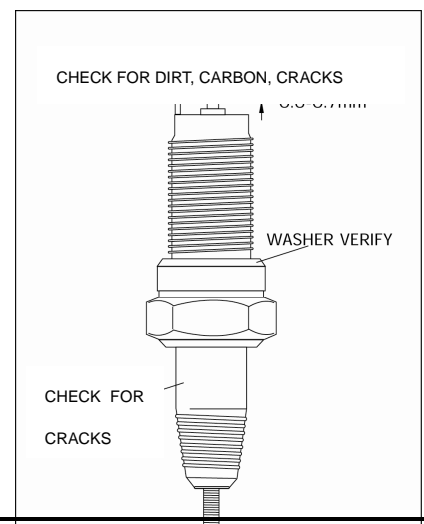
Used oil **MUST** be disposed of at a proper collection center

- a. Remove the Screen Cap Drain Plug located just forward of the engine oil fill plug on the bottom right side of engine. Upon removal of the plug, a filter screen will be visible. Elevating the front of the vehicle slightly will help drain all of the oil.
- b. The oil should be emptied into suitable container for recycling.
- c. Remove and clean the oil screen.
- d. With the oil completely drained, replace the screen and drain plug, then tighten securely.
- e. Place the vehicle back onto a flat surface to level the engine, and Re-fill the crankcase with 30oz of SAE 10W40 motor oil.
- f. Check the oil level using the dipstick attached to the oil plug cap. Be sure to check the oil level before each use of the vehicle.
- g. Add oil when necessary to keep the oil level between the bottom of the dipstick and the "O" mark. **NOTE: Oil level should be checked by dipping the oil level stick into the crankcase WITHOUT screwing the cap in.**



#### G. Spark Plug

- a. Remove the spark plug and inspect it each time you change the oil (Use a spark plug wrench). The electrodes should be kept clean and free of carbon. The presence of carbon or excess oil will greatly reduce engine performance. If possible, check the spark plug gap (area between the electrodes) using a wire feeler gauge or spark plug gap tool.
- b. **Correct gap is 0.024-0.027in [0.6 - 0.7mm]**
- c. Before installing the spark plug, coat the threads lightly with graphite lubricant to ensure easier removal of the plug in the



future.

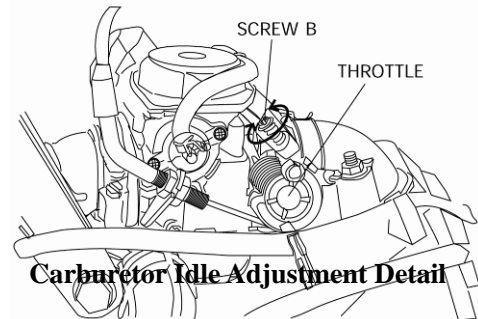
- d. Spark plug should be replaced once a year for optimum engine performance.

### H. Carburetor Idle Adjustment

All the necessary carburetor adjustments have been made at the factory, and the recommended settings are correct for most applications. The carburetor is located on top of the engine, just behind the seat. To adjust the engine idle setting on the carburetor:

- a. Allow the engine to warm up for 5-10 minutes
- b. Using a Phillips screwdriver, adjust the idle screw (B) until the engine settles at approximately 1500RPM

**NOTE** For further carburetor adjustments, refer to the Service Manual available for purchase from your Dealer, by calling ASW's customer service, or on our website at [www.amsportworks.com](http://www.amsportworks.com)

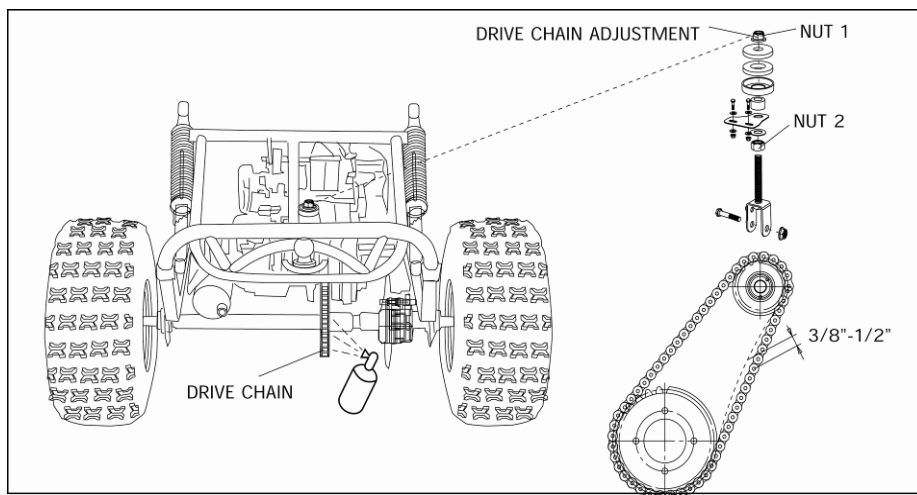


### I. Cleaning Instructions

Keep your vehicle clean by using a clean rag and a mild detergent and water solution. Wipe off all dirt and oil from around the controls. Wipe off any spilled fuel and oil. Keep the engine clean and clear of foreign objects, especially those around the air intake fan and air inlet ductwork. Use of a high pressure power washer may damage paint, plastics or engine components and is not recommended for cleaning your vehicle.

### J. Chain Lubrication and Adjustment

For optimum chain life, regular lubrication with a spray on chain lubricant should be performed on a regular basis. (Ref Figure below)



A new chain will have initial stretch and therefore will require adjustment. The first chain adjustment should be made after the first 2 hours of use. If the chain has more than  $\frac{1}{2}$ " of slack or "flex" then it will require adjustment. To adjust:

- a. Loosen Nut (1).
- b. Adjust nut (2) on the underside of the tube.
- c. Re-tighten Nut (1) until the proper chain tension is achieved.

### K. Adjustment of Front and Rear Shock

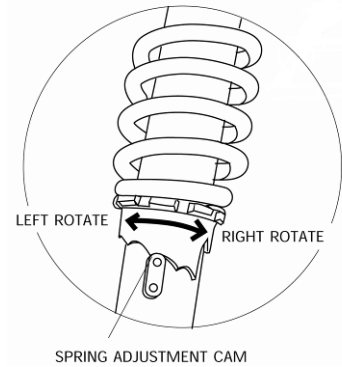
There are five adjustable positions on each shock.

The center notch is the default position as set by the manufacturer (Ref Figure). Use a round nut spanner wrench to adjust the shock.

To INCREASE the shock stiffness, rotate the ring to the highest (longest) setting.

To DECREASE the shock stiffness, rotate the ring to the lowest (shortest) setting.

Shock stiffness adjustments should be made based on the overall weight of the rider, occupant and cargo.

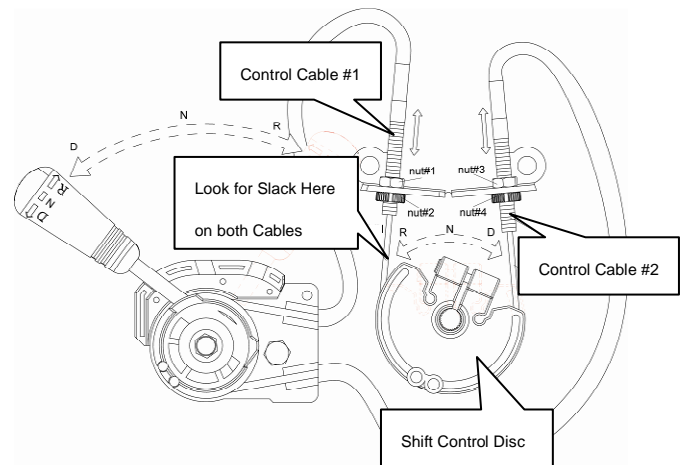


**Shock Adjustment**

### L. Shifter Adjustment

Your unit may require an occasional adjustment in the shift cables due to typical stretch found during normal operation of the vehicle. To make shift adjustments refer to the following procedure:

- Push the shift lever to the forward or "D" position
- Check the shift control disc found just behind the oil level dipstick to ensure that it has rotated forward all the way (looking for any slack in control cable #1)
- Loosen adjustment nuts #1 and #2, pulling the housing to draw the cable tight. Re-tighten the nuts when the cable is properly tensioned.
- Shift the lever to the "R" position and check the control disc to ensure that it has rotated full towards the rear of the vehicle.
- Loosen adjustment nuts #3 and #4, pulling the cable housing to draw the #2 control cable tight.
- Re-tighten nuts #3 and #4 when the cable is properly tensioned.



### M. Air Intake Cleaning

Frequent driving in loose leaves, or freshly cut grass will tend to attract debris to the engine air intake located on the passenger side of the engine just in front of the right rear tire (Ref Figure). This screen should be checked and cleaned frequently to allow fresh air into the engine for cooling. **A clogged air intake will overheat the engine causing damage to internal components and will void the warranty.**



Debris clogging cooling fan

## N. Storage Instruction

If you plan to store (and not operate) your vehicle for a period in excess of 30 days, or at the end of each driving season, the unit should be set up for storage as follows:

- b. Drain fuel tank and carburetor by allowing the engine to run completely out of fuel.
- c. Lubricate the engine cylinder by removing the air cleaner and spraying an engine fogging oil through the carburetor.
- d. Do NOT save or store gasoline over the winter. Using old gasoline, which will deteriorate from storage, will make the engine difficult to start and affect the performance of the engine.
- e. Remove the battery from the unit and apply a periodic trickle charge to maintain the battery at a proper voltage level for the next riding season.
- f. To protect the paint, plastics and upholstery, it is a good idea to keep the unit covered when not in use.

## O. Fuse Replacement

Your unit is equipped with an inline fuse to protect the electrical system from excessive load conditions. This unit is equipped with a single 15amp system fuse located inside the electrical box on the engine swingarm.

### CAUTION

If this unit is stored outside, there is a potential for the air box to collect water. To prevent water from damaging the engine, any trapped water should be drained prior to each use by opening the drain tube located on the bottom side of the air box.

## Fastener Torque Chart

Bolt Diameter (mm)	Conventional marked bolt			8.8 marked bolt		
	N.m	Kg.m	Ib-ft	N.m	Kg.m	Ib-ft
4	1 ~2	0.1 ~0.2	0.7 ~1.5	1.5 ~3	0.15 ~0.3	1.0 ~2.0
5	1 ~4	0.2 ~0.4	1.5 ~3.0	3 ~6	0.3 ~0.6	2.0 ~4.5
6	4 ~7	0.4 ~0.7	3.0 ~5.0	8 ~12	0.8~1.2	6.0 ~8.5
8	10 ~16	1.0 ~1.6	7.0 ~11.5	18 ~28	1.8 ~2.8	13.0 ~20.0
10	22 ~35	2.2 ~3.5	16.0~25.5	40 ~60	4.0 ~6.0	29.0 ~43.5
12	35 ~50	3.5 ~5.5	25.5 ~40	70 ~100	7.0 ~10.0	50.5 ~72.5
14	50 ~80	5.0 ~8.0	36.5 ~58	110 ~160	11.0 ~16.0	79.5 ~115.5
16	80 ~130	8.0 ~13.0	58 ~94	170 ~250	17.0 ~25.	123.0 ~181.0
18	130 ~190	13.0~19.0	94 ~137.5	200 ~280	20 ~28.0	144.5 ~202.5

## **ACCESSORIES**

Please visit our website at [www.amsportworks.com](http://www.amsportworks.com), or your local dealer, to see the full selection of accessories available for this vehicle.

## **REPLACEMENT PARTS AND SERVICE**

Most replacement parts are typically available from your dealer. Because of immediate availability and convenience, it is recommended that replacement parts be ordered from an authorized dealer. Take this manual and all supplements to the dealer when ordering parts in person.

If replacement parts are not available from a dealer, they may be ordered directly from ASW at 1-800-643-7332. Orders may be subject to a minimum fee. A listing of authorized service center locations in your area is also available on our website at [www.amsportworks.com](http://www.amsportworks.com) or from our Customer Service department.

Record the vehicle VIN number in the spaces provided at the front of this manual. The VIN number is hard tagged on the vehicle and can be found just behind the driver's seat.

## IV - SPECIFICATIONS

### **DIMENSIONS**

Overall length-----	2113mm (83.2 inch)
Overall width-----	1356mm (53.4inch)
Overall height-----	1365mm (53.75 inch)
Wheelbase-----	1447mm (57.0 inch)
Track Width – Front / Rear-----	1212mm (47.8 inch) / 965mm (38.0 inch)
Ground Clearance-----	228mm (9.0 inch)

### **ENGINE**

Type-----	Single cylinder oil & cooled 4 stroke
Engine displacement-----	150cc
Bore x stroke-----	57.4 x 57.8
Corrected Compression Ratio-----	9.2: 1
Carburetor-----	DENI,CB24J
Output Power / Torque [N.m(r/min)-1]-----	9.0 hp @7500rpm / 13ft-lbs @ 5500rpm
Starting-----	Keyed Electric
Ignition-----	CDI
Lubrication-----	Cooled Force & Splash SAE-10W/40
Transmission-----	CVT Automatic with Neutral and Reverse
Spark Plug / Gap-----	C7HSA (NGK) / 0.6 – 0.7mm
Fuel Type-----	ONLY USE Mid-Grade Unleaded (89 - 93 Octane)

### **CAPACITIES**

Maximum Load (Driver, Passenger, & Gear)-----	182Kg / 400lbs
Climbing Angle-----	20-25°
Fuel tank-----	10 L / 2.64 Gal
Engine Oil-----	29.5ml / 30.0oz
Battery-----	12V 9Ah
Head Light (Optional)-----	Twin 12V 25W
Top Speed (20mph Speed Reduction Kit available)-----	56 – 62 kph / 35 – 39 mph

### **CHASSIS**

Brakes (Rear Only)-----	Hydraulic disc
Tires – Front / Rear-----	17 x 7.0-8 @ 15psi / 18 x 9.5-8 @ 15psi
Suspension-Front-----	Dual A-arm with 1.8” (45mm) of travel
Suspension-Rear-----	Spring over shock with 2.0”(60mm) of travel

### **WEIGHT**

Dry Weight-----	205Kg / 452lbs
-----------------	----------------

### **WARRANTY**

Components-----	30 days
Frame-----	90 days
Engine-----	1 year

\* The specifications are subject to change without notice.

### Periodic Checks & Services

The maintenance intervals in the following table are based upon average driving conditions. Driving in unusually dusty areas may require more frequent servicing.

Interval	Initial service (first week)	Monthly	Quarterly	Yearly
IDLE SPEED ADJUSTMENT	I	I		
SPARK PLUG			C, A	I
TIRE PRESSURE/WEAR	I	I		
BRAKE FLUID AND PERFORMANCE	I	I		
AIR CLEANER		C	C	I
CHASSIS NUTS AND BOLTS	I	I		
FUEL SWITCH (PETCOCK)/FUEL FILTER		I		C, I, R
FINAL GEAR OIL		I	R	
ENGINE OIL	R (5hr)	R (10 hr)		
CHASSIS		C, I	L	
CARBURETOR	I	A		C
VALVE CLEARANCE			A	
SHIFTER ADJUSTMENT				
CHAIN TENSION	I	I	C, A, L	
BATTERY	I		I	

**A:** adjust **C:** clean **I:** inspect, clean or replace if necessary. **L:** lubricate **R:** replace

# ELECTRICAL SCHEMATIC

