

Operator's Manual
SUPPLEMENT
Model No. 706B-1

⚠ WARNING:

Read Engine
Owner's Manual,
Vehicle Operator's
Manual, and
Supplement
Carefully Before
Operating Vehicle.



Parts List

ORDERING PARTS

FAST & EASY!

- 1) Seek Part(s) from your models illustrated diagram, cross over REF# to PART#
- 2) Type PART# into sites [Search Box] at GoKartsRus.com TIP! - RIGHT CLICK LINK, SELECT OPEN IN NEW TAB
- 3) Add all needed parts to Shopping Cart | Complete "Checkout" | ✓ Done!

If a part does not come up in a Site Search, please [Contact Us](#) (include part# in email)

LOWEST PRICES!

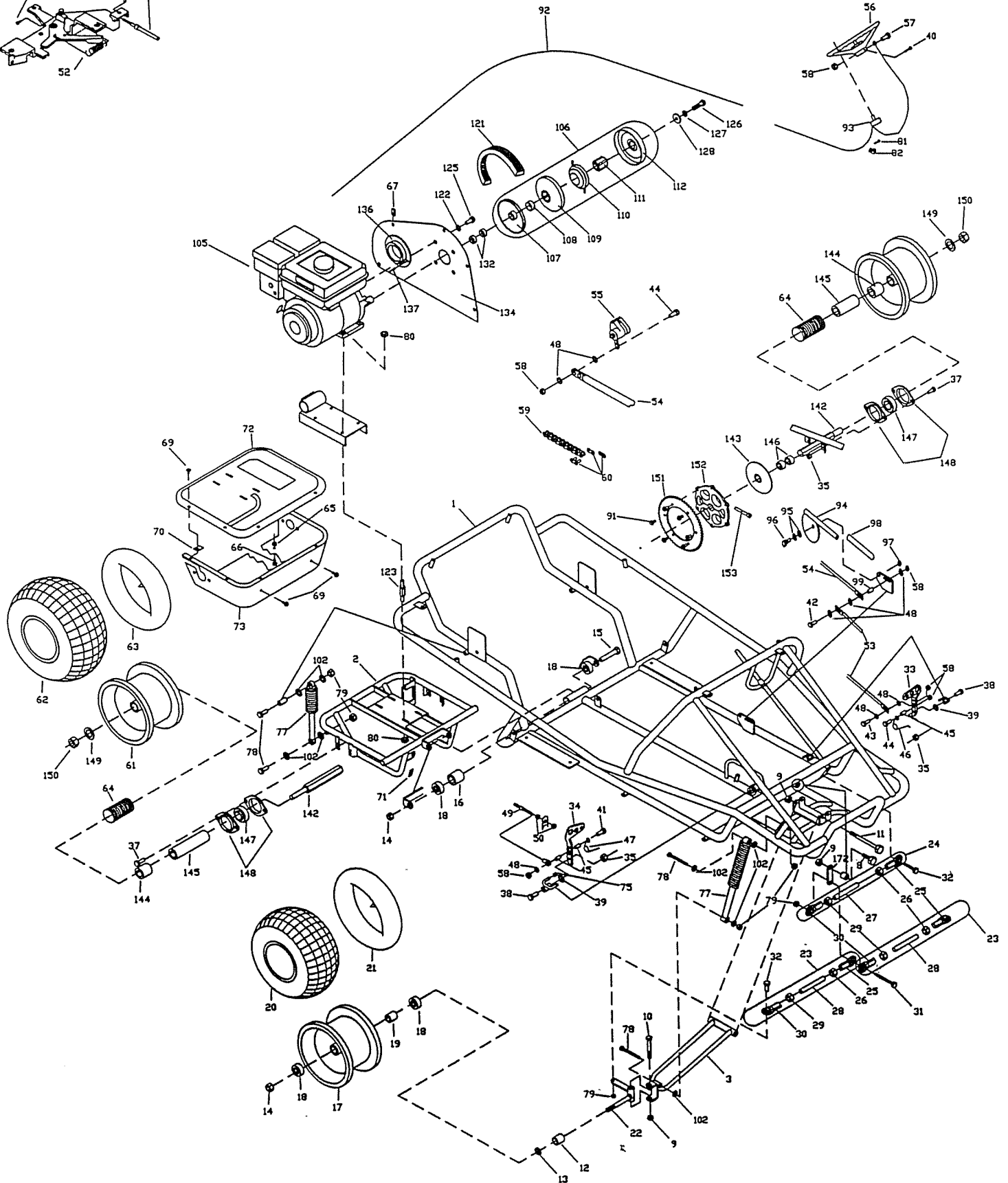
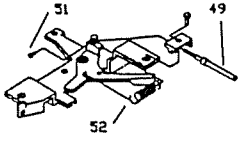
**THIS VEHICLE IS FOR
OFF-ROAD USE ONLY**

BEFORE OPERATING THIS VEHICLE, THE OWNER AND/OR OPERATOR MUST UNDERSTAND THE VEHICLE WAS NOT DESIGNED OR MANUFACTURED TO MEET SPECIFICATIONS FOR USE ON STREETS, HIGHWAYS, OR THOROUGHFARES AND HAVE READ AND HAVE AN UNDERSTANDING OF ALL THE INSTRUCTIONS FOR SAFE ASSEMBLY AND OPERATION AS WELL AS THE INSTRUCTIONS GOVERNING THE ENGINE AND OTHER PORTIONS OF THE VEHICLE.

PARTS LIST MODEL 706B-1

REF NO	PART NO	DESCRIPTION	REF NO	PART NO	DESCRIPTION
1	11986-5	FRAME 706 RED BARON	54	11996-2	BRAKE ROD REAR 706 GBLK
2	11750-2	SWING ARM - REAR GBLK	55	9597	BRAKE CALIPER MB1
3	11954-2Z	SWING ARM FRONT RH W/ZERK	56	6038	STEERING WHEEL
NI	11955-2Z	SWING ARM FRONT LH W/ZERK	57	9080	BOLT 1/4-20 X 2.750 HHCS G2 Z
4	11923-5	REAR BAR 706 RED BARON	58	9057	NUT 1/4-20 TL Z
5	11925-5	OVERHEAD BAR 706 RED BARON	59	6511	CHAIN 420 X 66 INCLUDES M.LINK
6	12011-2	SEAT FRAME 706B GBLK	60	2037	MASTER LINK #420
7	9022	WASHER 1/2 STD FLAT Z	61	10381	WH ASM 8IN 18X950 KN
8	9188	BOLT 1/2-13 X 1.50 HHCS G5 Z	62	3548	TIRE 18/9.50-8 KNOBBY
9	1012	NUT 1/2-13 TL HEX Z	63	1430	TUBE 8" (REPAIR PART ONLY)
10	1264	BOLT 1/2-13 X 3.750 HHCS G2 Z	64	G0631	LOOM 6.312 L 1.625 ID
11	10834	BOLT 1/2-13 X 7.000 HHCS G5 Z	65	9674-16	SPACER 3/8 ID X 3/8 L ZINC PLTD
12	1104	SPACER SPLIT .812OD .625ID 1.000L	66	9189	BOLT 1/4-20 X .875 HH WF Z
13	1119	SPACER .625ID 1.062OD .125THK Z	67	8227	NUT 1/4-20 CLIP
14	1046	NUT 5/8-11 TL HEX Z	68	11387	LOOP CLIP 1.25 ID
15	9157	BOLT 5/8-11 X 6.500 HHCS G5 Z	69	1876	BOLT 1/4-20 X .625 HH WF Z
16	6568	SPANNER 5/8 ID X 3-7/8 LG 11GA	70	11824	NUT TINNEMAN 2372-04
17	9309FP	WHEEL ASM 6" (INCL 18-20)	71	2449	NUT TINNEMAN C7343-1420-4
18	5090	BEARING 5/8 ID 1-3/8 OD	72	11830	COVER TOP 906
19	5950	SPANNER 5/8 ID X 2-1/8	73	11831	COVER BOTTOM 906
20	4915	TIRE 145/70 X 6 KNOBBY	74	11776	TAV COVER 2XX4XX
21	3802	TUBE 6" (REPAIR PART ONLY)	75	9929	RUBBER CAP .25ID X .25 BLACK
NI	11951-2Z	SPINDLE LH 706 GBLK W/ZERK	76	8778	HARNES LAP SHOULDER REST
22	11950-2Z	SPINDLE RH 706 GBLK W/ZERK	77	12015	SHOCK ABSORBER
23	12002	TIE ROD ASSM. 706 LONG	78	9190	BOLT 3/8-16 X 3.250 HHCS G5 Z
24	12001	TIE ROD ASSM. 706 SHORT	79	9085	NUT 3/8-16 TL HEX Z
25	1414	ROD END, RH THREAD	80	1263	NUT 5/16-18 HEX WF Z
26	9092	NUT 3/8-24 JAM RH	81	5287	BOLT NBR 10-16X.375 SELF TAP
27	11886	TIE ROD 5"	82	5288	WIRE CLAMP 3/16 DIA. 7/32 HOLE
28	11887	TIE ROD 16.5"	NI	11330	DECAL SHEET-WARNINGS (LARGE)
29	9024	NUT 3/8-24 JAM LH	84	12008	DECAL SHEET-WARNINGS (SM.#2)
30	1415	ROD END, LH THREAD	85	11835	DECAL - FOOTREST SCUFF
31	9158	BOLT 3/8-16 X 2.250 HHCS G5 Z	86	11836	DECAL - FLOOR PAN SCUFF
32	9146	BOLT 3/8-16 X 1.500 HHCS G5 Z	87	11636	SEAT - BACK/BOTTOM SGL PLAIN
33	6293-16	PEDAL BRAKE - ZINC PLTD	88	9992	PIN CLEVIS .250 X 1.500
34	6309-16	PEDAL THROTTLE - ZINC PLTD	89	4372	HANDHOLD
35	1189	NUT 5/16-18 HEX TL Z	90	9116	PIN COTTER 3/32 X .750 Z
36	8655	SEAT SLIDE PAIR	91	9006	BOLT 1/4-20 X .500 HH WF
37	9176	BOLT 5/16-18 X 1.000 HHCS G5 Z	92	12323	STOP SWITCH WIRE 706
38	1447	BOLT 5/16-18X11/16THD SHOULDER	93	9799	STOP SWITCH WIRE ASM
39	9091	WASHER FLAT 3/8 SAE N	94	6773-2	PARKING BRAKE HANDLE WDMT
40	9160	BOLT 1/4-20 X .875 HHCS NL G5 Z	95	6441	WASHER 3/8 SPRING
41	1848	BOLT 1/4-20 X 1.250 HHCS G5 Z	96	9172	BOLT SHOULDER 3/8 X 1/4 SH
42	1849	BOLT 1/4-20 X 1.500 HHCS G5 Z	97	6440	NUT 5/16-18 JAM
43	1846	BOLT 1/4-20 X .750 HHCS G5 Z	98	6442	BRAKE HANDLE COVER
44	1847	BOLT 1/4-20 X 1.000 HHCS G5 Z	99	9869	SPACER .250ID .312OD .625 BR
45	1389	BUSHING .25ID X .031G X .313	100	12018	PANEL 706 RH SIDE
46	9502	SPRING PEDAL LEFT WOUND	101	12019	PANEL 706 LH SIDE
47	9503	SPRING PEDAL RIGHT WOUND	102	9125	WASHER FLAT 3/8 USS W
48	1854	WASHER NBR 14 FLAT MS Z	103	12039	FOAM 2.25 X .88 X 4.500 BLACK
49	8251	THROTTLE CABLE 74.5 IN	104	1019	CABLE TIE - BIG BLACK T40ROW
50	9058	NUT 5/16-24 JAM	105	12249	ENGINE 6.5HP OHC
51	12347	SWIVEL SCREW	ASM	5957	DRIVER PULLEY 30S 217429
52	12348	RETURN SPRING			(INCL 107 - 112)
53	11997-2	BRAKE ROD FRONT 706 GBLK	107	**	STATIONARY SHEAVE

THROTTLE CABLE DETAIL



PARTS LIST MODEL 706B-1

REF NO	PART NO	DESCRIPTION
108	200349	BUSHING
109	**	MOVEABLE SHEAVE
110	**	SHOE ASSEMBLY
111	**	HUB
112	**	DRUM
ASM	5958	DRIVEN PULLEY 30S 217610 (INCL 114 - 120)
114	2477	RETAINING RING
115	**	CAM
116	8575	SPRING <i>6805</i>
117	6804	BUTTON NYLON
118	**	BUSHING
119	**	STATIONARY SHEAVE
120	**	MOVEABLE SHEAVE
121	5959	BELT 30S 203589 27.4 OC
122	9060	WASHER 5/16 TYPE A PLAIN SAE
123	1356	STUD ASM
124	1136	NUT 5/8-18 CL HEX JAM Z
125	9101	BOLT 5/16-24 X .500 HHCS G5 NL
126	8204	BOLT 5/16-24 X 2.250 HHCS G5 YZ
127	1124	WASHER 5/16 SL Z
128	1398	WASHER 21/64 ID X 1 1/4 X 1/8
129	8720	SPROCKET 420P 9T INTEGRAL KEY
130	3403	KEY 3/16SQ X 2.000
131	1119	SPACER .625ID 1.062OD .125THK Z
132	1938	SPACER .75ID 11GA .375 ZI
133	11808	CAP VINYL 1.5 ID 1.5LG .06 BLK
134	11775-2	PLATE COVER 2XX4XX GBLK
136	8231	COVER PLATE EXTENSION
137	8258	RIVET AL/AL .25GRIP .125DIA
138	11806-2	CHASSIS WLDMNT BLK 2XX4XX
139	10342	SPANNER 5/8ID X 14G X 5.125
140	2777	JACKSHAFT 5/8 X 10.812

REF NO	PART NO	DESCRIPTION
141	1469	WASHER .625ID 1.062OD .062THK Z
142	11797H-16	AXLE HEX WDMT- ZINC PLTD
143	9511H	BRAKE DISC 6 HEX
144	5222-16	SPACER 1.000ID X 1.250OD X 1.250L
145	6783-16	SPACER 1.000ID 12G 4.125L
146	2265-16	SPACER 1.000ID 12G .750L ZINC
147	3941H	BEARING PRECISION, SEAL .875HEX
148	6617	BRG FLNG-HEAVY YELLOW
149	1194	WASHER 3/4 SAE FLAT
150	9162	NUT 3/4-10 HEX TL Z
151	9338	SPROCKET LA 420P 60T
152	6280H	SPROCKET HUB HEX
153	6701	BOLT 5/16-18 X 1.250 SHCS
154	11928-5	CENTER BAR 706 RED BARON
155	6320	HEADREST SGL PLAIN
156	5447	SAFETY FLAG - 6FT
157	12016-2	HEADREST FRAME GBLK
158	9810	BRAKE PAD SVC KIT (INCL 159-161)
159	**	ANVIL W/LINING
160	**	BRAKE LINING
161	3928	BACKING PLATE
162	3930	ACTUATOR PIN
163	3931	ADJUSTER PIN
164	3932	NUT JAM
165	9158	BOLT 3/8-16 X 2.250 HHCS
ASM	6534	MB-1 SERVICE KIT (INCL 166-168)
166	**	GROOVE PIN
167	**	LEVER
168	**	BRAKE HOUSING
169	11361	BOLT - FLAG MTG
170	6452	BOLT 3/8-16 X 5.000 HHCS G5 Z
171	2386	BOLT 3/8-16 X 3.500 HHCS G5 Z
172	11943-2	LEVER STEERING PIVOT

MODEL SPECIFIC GRAPHICS

NI	12031	#706B-01 & 706B-02 DECAL SHEET: PAN, STRG WHEEL, SIDE & FRONT
NI	12040R1	#706B-01 & #706B-02 HANG TAG
NI	12049	#706B-06 DECAL SHEET: PAN STRG WHEEL, SIDE & FRONT
NI	12050R1	#706B-06 HANG TAG

ASM - ASSEMBLY
NI - NOT ILLUSTRATED
** - NOT SOLD SEPERATELY