

Operator's Manual  
SUPPLEMENT  
Model No. 706B-XX

**⚠ WARNING:**

Read Engine  
Owner's Manual,  
Vehicle Operator's  
Manual, and  
Supplement  
Carefully Before  
Operating Vehicle.

Parts List



**ORDERING PARTS**

**FAST & EASY!**

- 1) Seek Part(s) from your models illustrated diagram, cross over REF# to PART#
- 2) Type PART# into sites [Search Box] at [GoKartsRus.com](http://GoKartsRus.com) TIP! - RIGHT CLICK LINK, SELECT OPEN IN NEW TAB
- 3) Add all needed parts to Shopping Cart | Complete "Checkout" | ✓ Done!

*If a part does not come up in a Site Search, please [Contact Us](#) (include part# in email)*

**LOWEST PRICE!**

**THIS VEHICLE IS FOR  
OFF-ROAD USE ONLY**

BEFORE OPERATING THIS VEHICLE, THE OWNER AND/OR OPERATOR MUST UNDERSTAND THE VEHICLE WAS NOT DESIGNED OR MANUFACTURED TO MEET SPECIFICATIONS FOR USE ON STREETS, HIGHWAYS, OR THOROUGHFARES AND HAVE READ AND HAVE AN UNDERSTANDING OF ALL THE INSTRUCTIONS FOR SAFE ASSEMBLY AND OPERATION AS WELL AS THE INSTRUCTIONS GOVERNING THE ENGINE AND OTHER PORTIONS OF THE VEHICLE.

PARTS LIST  
MODEL 706B-XX

REF NO	PART NO	DESCRIPTION	REF NO	PART NO	DESCRIPTION
1	11986-5	FRAME 706 RED BARON	54	11996-2	BRAKE ROD REAR 706 GBLK
2	11750-2	SWING ARM - REAR GBLK	55	9597	BRAKE CALIPER MB1
3	11954-2Z	SWING ARM FRONT RH W/ZERK	56	6038	STEERING WHEEL
NI	11955-2Z	SWING ARM FRONT LH W/ZERK	57	9080	BOLT 1/4-20 X 2.750 HHCS G2 Z
4	11923-5	REAR BAR 706 RED BARON	58	9057	NUT 1/4-20 TL Z
5	11925-5	OVERHEAD BAR 706 RED BARON	59	6511	CHAIN 420 X 66 INCLUDES M.LINK
6	12011-2	SEAT FRAME 706B GBLK	60	2037	MASTER LINK #420
7	9022	WASHER 1/2 STD FLAT Z	61	10381	WH ASM 8IN 18X950 KN
8	9188	BOLT 1/2-13 X 1.50 HHCS G5 Z	62	3548	TIRE 18/9.50-8 KNOBBY
9	1012	NUT 1/2-13 TL HEX Z	63	1430	TUBE 8" (REPAIR PART ONLY)
10	1264	BOLT 1/2-13 X 3.750 HHCS G2 Z	64	G0631	LOOM 6.312 L 1.625 ID
11	10834	BOLT 1/2-13 X 7.000 HHCS G5 Z	65	9674-16	SPACER 3/8 ID X 3/8 L ZINC PLTD
12	1104	SPACER SPLIT .812OD .625ID 1.000L	66	9189	BOLT 1/4-20 X .875 HH WF Z
13	1119	SPACER .625ID 1.062OD .125THK Z	67	8227	NUT 1/4-20 CLIP
14	1046	NUT 5/8-11 TL HEX Z	68	11387	LOOP CLIP 1.25 ID
15	9157	BOLT 5/8-11 X 6.500 HHCS G5 Z	69	1876	BOLT 1/4-20 X .625 HH WF Z
16	6568	SPANNER 5/8 ID X 3-7/8 LG 11GA	70	11824	NUT TINNERMAN 2372-04
17	9309FP	WHEEL ASM 6" (INCL 18-20)	71	2449	NUT TINNERMAN C7343-1420-4
18	5090	BEARING 5/8 ID 1-3/8 OD	72	11830	COVER TOP 906
19	5950	SPANNER 5/8 ID X 2-1/8	73	11831	COVER BOTTOM 906
20	4915	TIRE 145/70 X 6 KNOBBY	74	11776	TAV COVER 2XX4XX
21	3802	TUBE 6" (REPAIR PART ONLY)	75	9929	RUBBER CAP .25ID X .25 BLACK
NI	11951-2Z	SPINDLE LH 706 GBLK W/ZERK	76	8778	HARNES LAP SHOULDER REST
22	11950-2Z	SPINDLE RH 706 GBLK W/ZERK	77	12015	SHOCK ABSORBER
23	12002	TIE ROD ASSM. 706 LONG	78	9190	BOLT 3/8-16 X 3.250 HHCS G5 Z
24	12001	TIE ROD ASSM. 706 SHORT	79	9085	NUT 3/8-16 TL HEX Z
25	1414	ROD END, RH THREAD	80	1263	NUT 5/16-18 HEX WF Z
26	9092	NUT 3/8-24 JAM RH	81	5287	BOLT NBR 10-16X.375 SELF TAP
27	11886	TIE ROD 5"	82	5288	WIRE CLAMP 3/16 DIA. 7/32 HOLE
28	11887	TIE ROD 16.5"	83	11330	DECAL SHEET-WARNINGS (LARGE)
29	9024	NUT 3/8-24 JAM LH	84	12008	DECAL SHEETWARNINGS(SMALL#2)
30	1415	ROD END, LH THREAD	85	11835	DECAL - FOOTREST SCUFF
31	9158	BOLT 3/8-16 X 2.250 HHCS G5 Z	86	11836	DECAL - FLOOR PAN SCUFF
32	9146	BOLT 3/8-16 X 1.500 HHCS G5 Z	87	11636	SEAT - BACK/BOTTOM SGL PLAIN
33	1436-16	PEDAL BRAKE - ZINC PLTD	88	9992	PIN CLEVIS .250 X 1.500
34	1437-16	PEDAL THROTTLE - ZINC PLTD	89	4372	HANDHOLD
35	1189	NUT 5/16-18 HEX TL Z	90	9116	PIN COTTER 3/32 X .750 Z
36	8655	SEAT SLIDE PAIR	91	9006	BOLT 1/4-20 X .500 HH WF
37	9176	BOLT 5/16-18 X 1.000 HHCS G5 Z	92	11998	STOP SWITCH WIRE ASM 706B
38	1447	BOLT 5/16-18X11/16THD SHOULDER	93	9799	STOP SWITCH WIRE ASM
39	9091	WASHER FLAT 3/8 SAE N	94	6773-2	PARKING BRAKE HANDLE WDMT
40	9160	BOLT 1/4-20 X .875 HHCS NL G5 Z	95	6441	WASHER 3/8 SPRING
41	1848	BOLT 1/4-20 X 1.250 HHCS G5 Z	96	9172	BOLT SHOULDER 3/8 X 1/4 SH
42	1849	BOLT 1/4-20 X 1.500 HHCS G5 Z	97	6440	NUT 5/16-18 JAM
43	1846	BOLT 1/4-20 X .750 HHCS G5 Z	98	6442	BRAKE HANDLE COVER
44	1847	BOLT 1/4-20 X 1.000 HHCS G5 Z	99	9869	SPACER .250ID .312OD .625 BR
45	1389	BUSHING .25ID X .031G X .313	100	12018	PANEL 706 RH SIDE
46	9502	SPRING PEDAL LEFT WOUND	101	12019	PANEL 706 LH SIDE
47	9503	SPRING PEDAL RIGHT WOUND	102	9125	WASHER FLAT 3/8 USS W
48	1854	WASHER NBR 14 FLAT MS Z	103	12039	FOAM 2.25 X .88 X 4.500 BLACK
49	8251	THROTTLE CABLE 74.5 IN	104	1019	CABLE TIE - BIG BLACK T40ROW
50	9058	NUT 5/16-24 JAM	105	11769	ENGINE - 6 HP TEC - BLK
51	2666	SWIVEL SCREW	106	5957	DRIVER PULLEY 30S 217429
52	2748	CABLE STOP NUT	107	**	STATIONARY SHEAVE
53	11997-2	BRAKE ROD FRONT 706 GBLK	108	200349	BUSHING

**PARTS LIST  
MODEL 706B-XX**

REF NO	PART NO	DESCRIPTION	REF NO	PART NO	DESCRIPTION
109	**	MOVEABLE SHEAVE	141	1469	WASHER .625ID 1.062OD .062THK Z
110	**	SHOE ASSEMBLY	142	11797H-16	AXLE HEX WDMT- ZINC PLTD
111	**	HUB	143	9511H	BRAKE DISC 6 HEX
112	**	DRUM	144	5222-16	SPACER 1.000ID X 1.2500D X 1.250L
113	5958	DRIVEN PULLEY 30S 217610	145	6783-16	SPACER 1.000ID 12G 4.125L
114	2477	RETAINING RING	146	2265-16	SPACER 1.000ID 12G .750L ZINC
115	**	CAM	147	3941H	BEARING PRECISION,SEAL .875HEX
116	8605	SPRING	148	6617	BRG FLNG-HEAVY YELLOW
117	6804	BUTTON NYLON	149	1194	WASHER 3/4 SAE FLAT
118	**	BUSHING	150	9162	NUT 3/4-10 HEX TL Z
119	**	STATIONARY SHEAVE	151	9338	SPROCKET LA 420P 60T
120	**	MOVEABLE SHEAVE	152	6280H	SPROCKET HUB HEX
121	5959	BELT 30S 203589 27.4 OC	153	6701	BOLT 5/16-18 X 1.250 SHCS
122	9060	WASHER 5/16 TYPE A PLAIN SAE	154	11928-5	CENTER BAR 706 RED BARON
123	1356	STUD ASM	155	6320	HEADREST SGL PLAIN
124	1136	NUT 5/8-18 CL HEX JAM Z	156	5447	SAFETY FLAG - 6FT
125	9101	BOLT 5/16-24 X .500 HHCS G5 NL	157	12016-2	HEADREST FRAME GBLK
126	8204	BOLT 5/16-24 X 2.250 HHCS G5 YZ	158	9810	BRAKE PAD SVC KIT (INCL 159-161)
127	1124	WASHER 5/16 SL Z	159	**	ANVIL W/LINING
128	1398	WASHER 21/64 ID X 1 1/4 X 1/8	160	**	BRAKE LINING
129	8720	SPROCKET 420P 9T INTEGRAL KEY	161	3928	BACKING PLATE
130	3403	KEY 3/16SQ X 2.000	162	3930	ACTUATOR PIN
131	1119	SPACER .625ID 1.062OD .125THK Z	163	3931	ADJUSTER PIN
132	1938	SPACER .75ID 11GA .375 ZI	164	3932	NUT JAM
133	11808	CAP VINYL 1.5 ID 1.5LG .06 BLK	165	9158	BOLT 3/8-16 X 2.250 HHCS
134	11775-2	PLATE COVER 2XX4XX GBLK	ASM	6534	MB-1 SERVICE KIT (INCL 166-168)
135	1168	WASHER 3/4 ID STEEL	166	**	GROOVE PIN
136	11982	COVER PLATE EXTENSION	167	**	LEVER
137	8258	RIVET AL/AL .25GRIP .125DIA	168	**	BRAKE HOUSING
138	11806-2	CHASSIS WLDMNT BLK 2XX4XX	169	11361	BOLT - FLAG MTG
139	10342	SPANNER 5/8ID X 14G X 5.125	170	6452	BOLT 3/8-16 X 5.000 HHCS G5 Z
140	2777	JACKSHAFT 5/8 X 10.812	171	2386	BOLT 3/8-16 X 3.500 HHCS G5 Z
			172	11943-2	LEVER STEERING PIVOT

**MODEL SPECIFIC GRAPHICS**

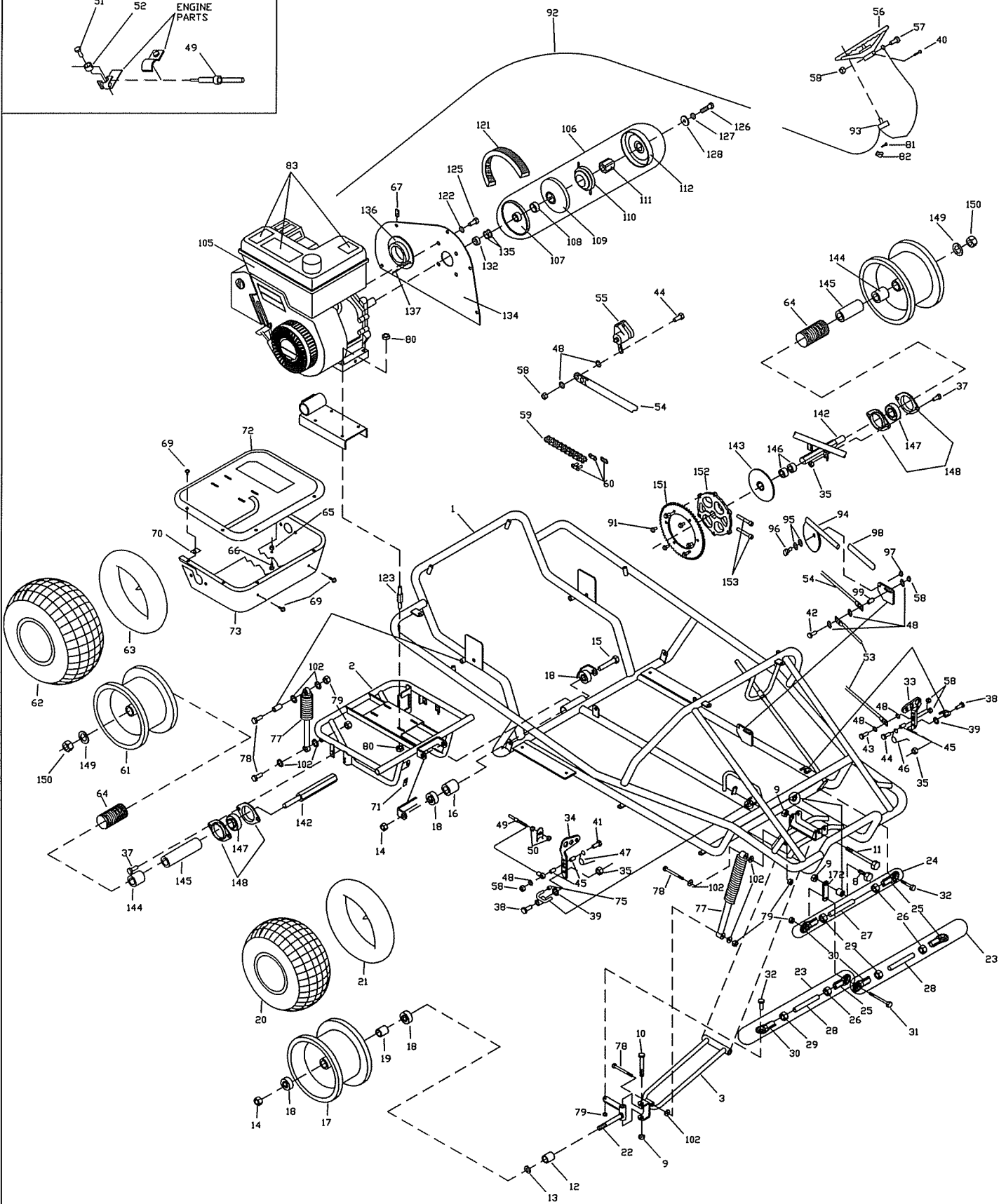
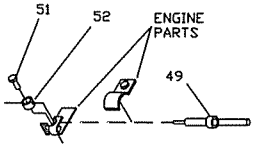
NI	12031	#706B-01 & 706B-02 DECAL SHEET: PAN, STRG WHEEL, SIDE & FRONT
NI	12040	#706B-01 & #706B-02 HANG TAG
NI	12049	#706B-06 DECAL SHEET: PAN STRG WHEEL, SIDE & FRONT
NI	12050	#706B-06 HANG TAG

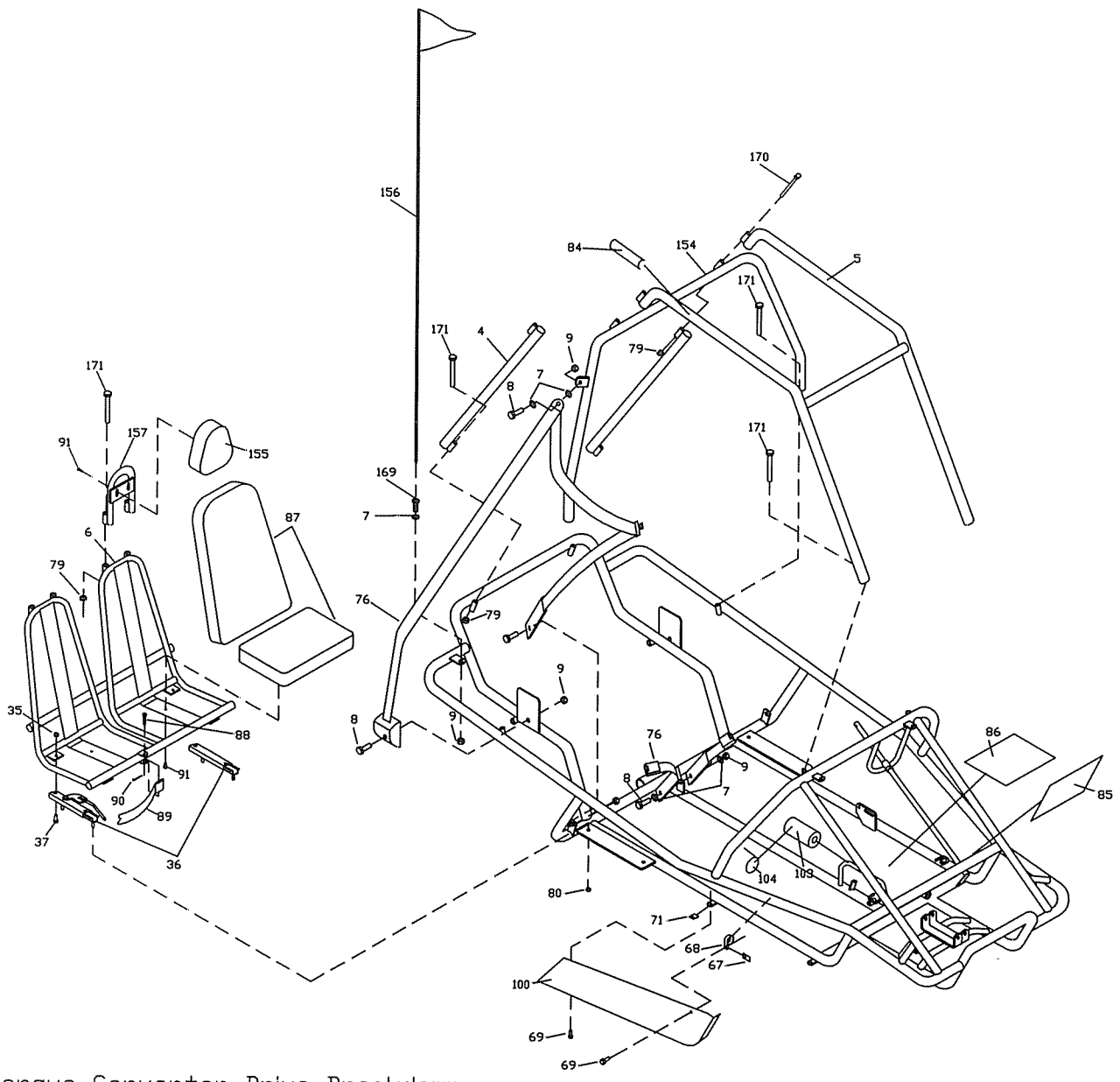
**ASM** – ASSEMBLY

**NI** – NOT ILLUSTRATED

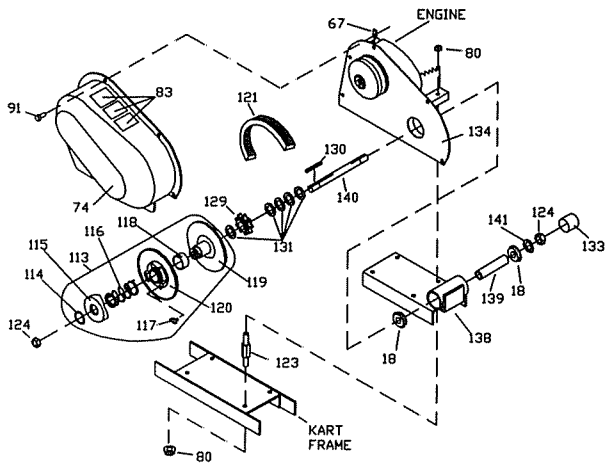
**\*\*** - NOT SOLD SEPERATELY

THROTTLE CABLE DETAIL

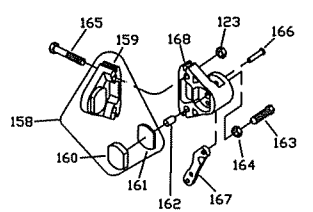




Torque Converter Drive Breakdown



Brake Caliper Breakdown



Orientation of lever and hardware may vary.