

Operator's Manual
SUPPLEMENT
Model No. 710E-XX

⚠ WARNING:

Read Engine Owner's Manual, Vehicle Operator's Manual, and Supplement Carefully Before Operating Vehicle.

Parts List



ORDERING PARTS

FAST & EASY!

- 1) Seek Part(s) from your models illustrated diagram, cross over REF# to PART#
- 2) Type PART# into sites [Search Box] at GoKartsRus.com TIP! - RIGHT CLICK LINK, SELECT OPEN IN NEW TAB
- 3) Add all needed parts to Shopping Cart | Complete "Checkout" | ✓ Done!

If a part does not come up in a Site Search, please [Contact Us](#) (include part# in email)

LOWEST PRICES!

**THIS VEHICLE IS FOR
OFF-ROAD USE ONLY**

BEFORE OPERATING THIS VEHICLE, THE OWNER AND/OR OPERATOR MUST UNDERSTAND THE VEHICLE WAS NOT DESIGNED OR MANUFACTURED TO MEET SPECIFICATIONS FOR USE ON STREETS, HIGHWAYS, OR THOROUGHFARES AND HAVE READ AND HAVE AN UNDERSTANDING OF ALL THE INSTRUCTIONS FOR SAFE ASSEMBLY AND OPERATION AS WELL AS THE INSTRUCTIONS GOVERNING THE ENGINE AND OTHER PORTIONS OF THE VEHICLE.

PARTS LIST
MODEL 710E-XX

REF NO	PART NO	DESCRIPTION	REF NO	PART NO	DESCRIPTION
1	12156-5	FRAME 706 RED BARON	54	5097-2	BRAKE ROD REAR
2	12180	SWING ARM-REAR W/BUSHINGS	55	10335	BRAKE CALIPER MB1
3	11954-2Z	SWING ARM FRONT RH W/ZERK	56	8832	STEERING WHEEL
NI	11955-2Z	SWING ARM FRONT LH W/ZERK	57	9103	BOLT 1/4-20 X 2.000 HHCS G2 Z
4	11923-5	REAR BAR 706 RED BARON	58	9057	NUT 1/4-20 TL Z
5	11925-5	OVERHEAD BAR 706 RED BARON	59	2920	CHAIN 420 X 77 INCLUDES M.LINK
6	12011-2	SEAT FRAME 706B GBLK	60	2037	MASTER LINK #420
7	9022	WASHER 1/2 STD FLAT Z	61	1412	WH ASM 8IN STL WH 22X11-8 KN
8	9188	BOLT 1/2-13 X 1.50 HHCS G5 Z	62	1452	TIRE 22/11 X 8 KNB TBLS ATV
9	1012	NUT 1/2-13 TL HEX Z	63	1430	TUBE 8" (REPAIR PART ONLY)
10	1264	BOLT 1/2-13 X 3.750 HHCS G2 Z	64	G0725	LOOM 7.25 L 1.625 OD
11	10834	BOLT 1/2-13 X 7.000 HHCS G5 Z	65	1557H	WHEEL FLANGE ASM HEX
12	1104	SPACER SPLIT .812OD .625ID 1.000L	66	1428	NUT 1/2-20 CONE WHEEL
13	1119	SPACER .625ID 1.062OD .125THK Z	67	8227	NUT 1/4-20 CLIP
14	1046	NUT 5/8-11 TL HEX Z	68	11387	LOOP CLIP 1.25 ID
15	12140	BUSHING BRONZE .625X1.25	69	1876	BOLT 1/4-20 X .625 HH WF Z
16	12141	BOLT SHOULDER 1/2X1.875	70	12170	NUT RECT 1/4-20 X 9/16
17	12134	WHEEL ASM 7" (INCL 18-20)	71	2449	NUT TINNERMAN C7343-1420-4
18	5090	BEARING 5/8 ID 1-3/8 OD	72	12154	GUARD TOP 710
19	5950	SPANNER 5/8 ID X 2-1/8	73	12155	GUARD BOTTOM 710
20	9607	TIRE 16/8.00 X 7 KNOBBY	74	11801	COVER TAV 710
21	9609	TUBE 16/8.0 X 7	75	9929	RUBBER CAP .25ID X .25 BLACK
NI	11951-2Z	SPINDLE LH 706 GBLK W/ZERK	76	8778	HARNES LAP SHOULDER REST
22	11950-2Z	SPINDLE RH 706 GBLK W/ZERK	77	12015	SHOCK ABSORBER
23	12002	TIE ROD ASSM. 706 LONG	78	9190	BOLT 3/8-16 X 3.250 HHCS G5 Z
24	12001	TIE ROD ASSM. 706 SHORT	79	9085	NUT 3/8-16 TL HEX Z
25	1414	ROD END, RH THREAD	80	1263	NUT 5/16-18 HEX WF Z
26	9092	NUT 3/8-24 JAM RH	81	6313	CHOKE CABLE
27	11886	TIE ROD 5"	82	12157	SOLENOID ASSEMBLY
28	11887	TIE ROD 16.5"	83	11330	DECAL SHEET-WARNINGS (LARGE)
29	9024	NUT 3/8-24 JAM LH	84	12008	DECAL SHEETWARNINGS(SMALL#2)
30	1415	ROD END, LH THREAD	85	11835	DECAL - FOOTREST SCUFF
31	9158	BOLT 3/8-16 X 2.250 HHCS G5 Z	86	11836	DECAL - FLOOR PAN SCUFF
32	9146	BOLT 3/8-16 X 1.500 HHCS G5 Z	87	11636	SEAT - BACK/BOTTOM SGL PLAIN
33	6293-16	PEDAL BRAKE - ZINC PLTD	88	9992	PIN CLEVIS .250 X 1.500
34	6309-16	PEDAL THROTTLE - ZINC PLTD	89	4372	HANDHOLD
35	1189	NUT 5/16-18 HEX TL Z	90	9116	PIN COTTER 3/32 X .750 Z
36	8655	SEAT SLIDE PAIR	91	9006	BOLT 1/4-20 X .500 HH WF
37	9176	BOLT 5/16-18 X 1.000 HHCS G5 Z	92	12158	WIRING HARNESS
38	1447	BOLT 5/16-18X11/16THD SHOULDER	93	12159	STOP SWITCH/LIGHT KIT
39	9091	WASHER FLAT 3/8 SAE N	94	6773-2	PARKING BRAKE HANDLE WDMT
40	9160	BOLT 1/4-20 X .875 HHCS NL G5 Z	95	6441	WASHER 3/8 SPRING
41	1848	BOLT 1/4-20 X 1.250 HHCS G5 Z	96	9172	BOLT SHOULDER 3/8 X 1/4 SH
42	1849	BOLT 1/4-20 X 1.500 HHCS G5 Z	97	6440	NUT 5/16-18 JAM
43	1846	BOLT 1/4-20 X .750 HHCS G5 Z	98	6442	BRAKE HANDLE COVER
44	1847	BOLT 1/4-20 X 1.000 HHCS G5 Z	99	9869	SPACER .250ID .312OD .625 BR
45	1389	BUSHING .25ID X .031G X .313	100	12018	PANEL 706 RH SIDE
46	9502	SPRING PEDAL LEFT WOUND	101	12019	PANEL 706 LH SIDE
47	9503	SPRING PEDAL RIGHT WOUND	102	9125	WASHER FLAT 3/8 USS W
48	1854	WASHER NBR 14 FLAT MS Z	103	12039	FOAM 2.25 X .88 X 4.500 BLACK
49	8251	THROTTLE CABLE 74.5 IN	104	1019	CABLE TIE - BIG BLACK T40ROW
50	9058	NUT 5/16-24 JAM	105	11772	ENGINE - 10 HP TEC ELEC START
51	2666	SWIVEL SCREW		10421	ENGINE - 12 HP TEC ELEC START
52	2748	CABLE STOP NUT	ASM	2594	DRIVER PULLEY ASSMBLY
53	11997-2	BRAKE ROD FRONT 706 GBLK			INCLUDES REF 106-114

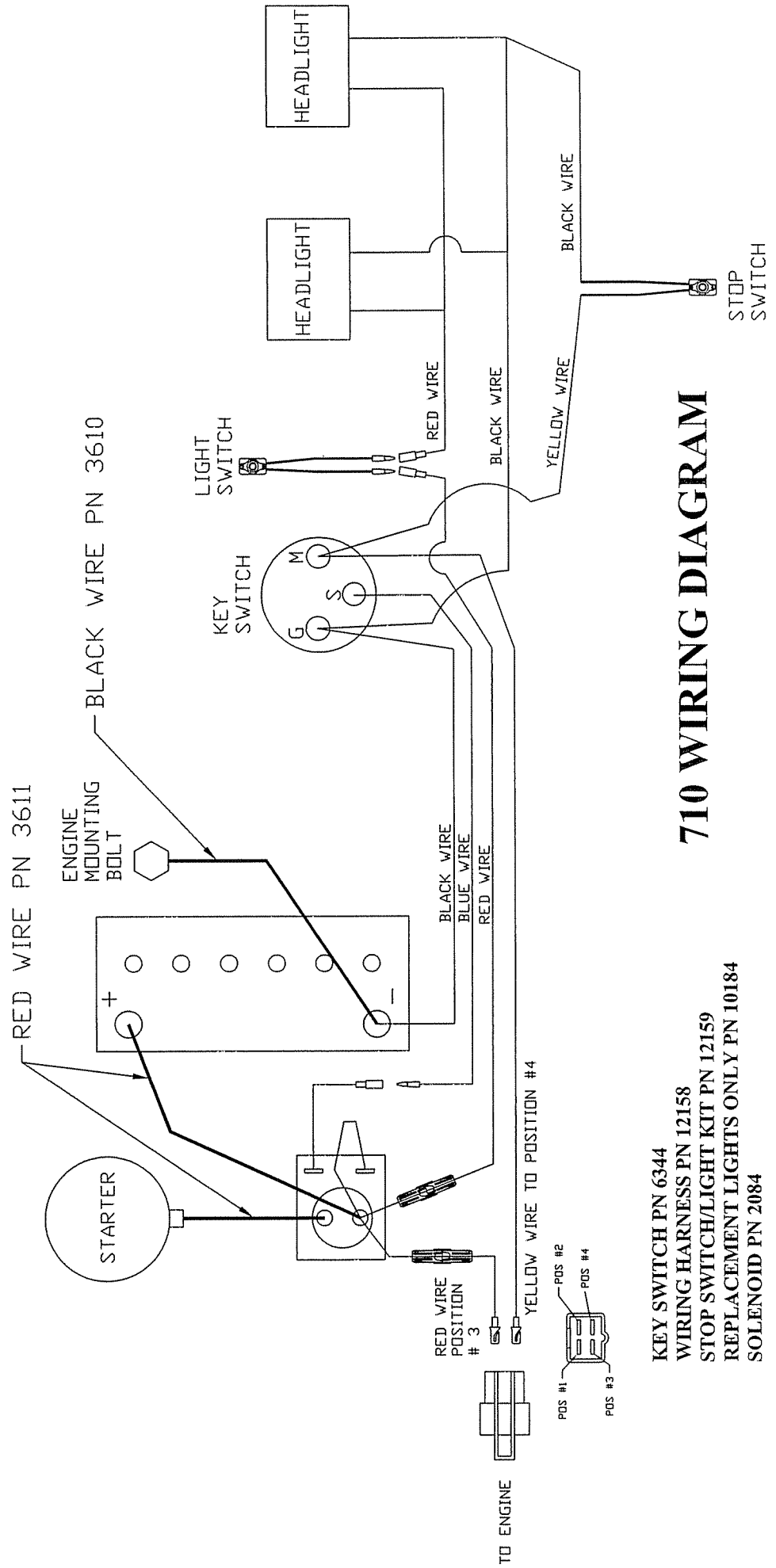
**PARTS LIST
MODEL 710E-XX**

REF NO	PART NO	DESCRIPTION	REF NO	PART NO	DESCRIPTION
106	**	COVER AND DRIVE PLATE	151	6282	SPROCKET LA 420P 54T
107	2472	EXTENSION SPRING	152	6280H	SPROCKET HUB HEX
108	2470	CAM ROLLER	153	6701	BOLT 5/16-18 X 1.250 SHCS
109	2471	SPRING CLIP	154	11928-5	CENTER BAR 706 RED BARON
110	**	MOVEABLE FACE AND HUB	155	6320	HEADREST SGL PLAIN
111	2474	GUIDE BUSHING	156	5447	SAFETY FLAG - 6FT
112	2475	COMPRESSION SPRING	157	12016-2	HEADREST FRAME GBLK
113	**	RETAINING RING	158	9810	BRAKE PAD SVC KIT (INCL 159-161)
114	**	FIXED FACE AND POST	159	**	ANVIL W/LINING
ASM	8664	DRIVEN PULLEY ASSEMBLY INCLUDES REF 115-123	160	**	BRAKE LINING
115	**	FIXED FACE AND POST	161	3928	BACKING PLATE
116	1031	KEY 3/16SQX1/2"	162	3930	ACTUATOR PIN
117	2483	SPACER	163	3931	ADJUSTER PIN
118	**	MOVEABLE FACE AND CAM	164	3932	NUT JAM
119	2516	BUTTON INSERT	165	9158	BOLT 3/8-16 X 2.250 HHCS
120	2480	TORSION SPRING	ASM	6534	MB-1 SERVICE KIT (INCL 166-168)
121	**	FIXED CAM	166	**	GROOVE PIN
122	2478	THRUST WASHER	167	**	LEVER
123	2477	RETAINING RING	168	**	BRAKE HOUSING
124	1466	NUT, 5/8-11 FLEXLOK JAM	169	11361	BOLT - FLAG MTG
125	9101	BOLT 5/16-24 X .500 HHCS G5 NL	170	6452	BOLT 3/8-16 X 5.000 HHCS G5 Z
126	8689	STUD, 3/8-24X4-1/4"	171	2386	BOLT 3/8-16 X 3.500 HHCS G5 Z
127	1130	WASHER 3/8 SL Z	172	11943-2	LEVER STEERING PIVOT
128	2468	WASHER, PILOT	173	8600	IMPELLER
129	8720	SPROCKET 420P 9T INTEGRAL KEY	174	2388	NUT 3/8-24 HEX
130	3403	KEY 3/16SQ X 2.000	175	9123	NUT 3/8-24 TL HEX
131	1119	SPACER .625ID 1.062OD .125THK Z	176	9430	BATTERY HOLD DOWN ROD
132	1082	SPACER 1" ID X 7/16"	177	9468	NUT NBR 10-32 NL WING
133	11808	CAP VINYL	178	9642-2	BATTERY CLAMP BAR GBLK
134	12153-2	PLATE COVER 710 GBLK	179	3633	BATTERY
135	4914-16	SPACER 1" ID X 9/16"	180	6803-2	COVER CONTROL PANEL
136	3887	SPACER 1" ID X 1/16"	181	5135	NUT TINNEMAN
137	6814	DRIVE BELT	182	6046	BOLT NBR 10-24 X .500
138	11805-2	CHASSIS WLDMNT BLK 710	183	6039	WASHER NBR 10 IL ZINC
139	2430	SPANNER 5/8ID	184	1844	BOLT 1/4-20 X .500 HHCS
140	8854	JACKSHAFT 5/8 X 13.69"	185	4913-16	SPACER 1" ID X 3.0" ZINC
141	6374	ENGINE SUPPORT STUD			
142	11802	AXLE HEX WDMT- ZINC PLTD			
143	6314H	BRAKE DISC 8 HEX			
144	8462-16	SPACER 1.000ID X 1.2500D X 2.75			
145	9060	WASHER 5/16 PLAIN			
146	2265-16	SPACER 1.000ID 12G .750L ZINC			
147	3941H	BEARING PRECISION,SEAL .875HEX			
148	6617	BRG FLNG-HEAVY YELLOW			
149	1194	WASHER 3/4 SAE FLAT			
150	9162	NUT 3/4-10 HEX TL Z			

MODEL SPECIFIC GRAPHICS

NI	12164	#710E-01 DECAL SHEET: PAN STRG WHEEL, SIDE & FRONT
NI	12163	#710E-01 HANG TAG

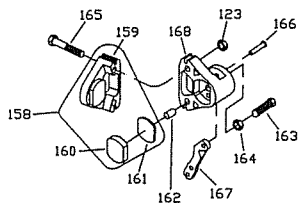
ASM – ASSEMBLY
 NI – NOT ILLUSTRATED
 ** - NOT SOLD SEPERATELY



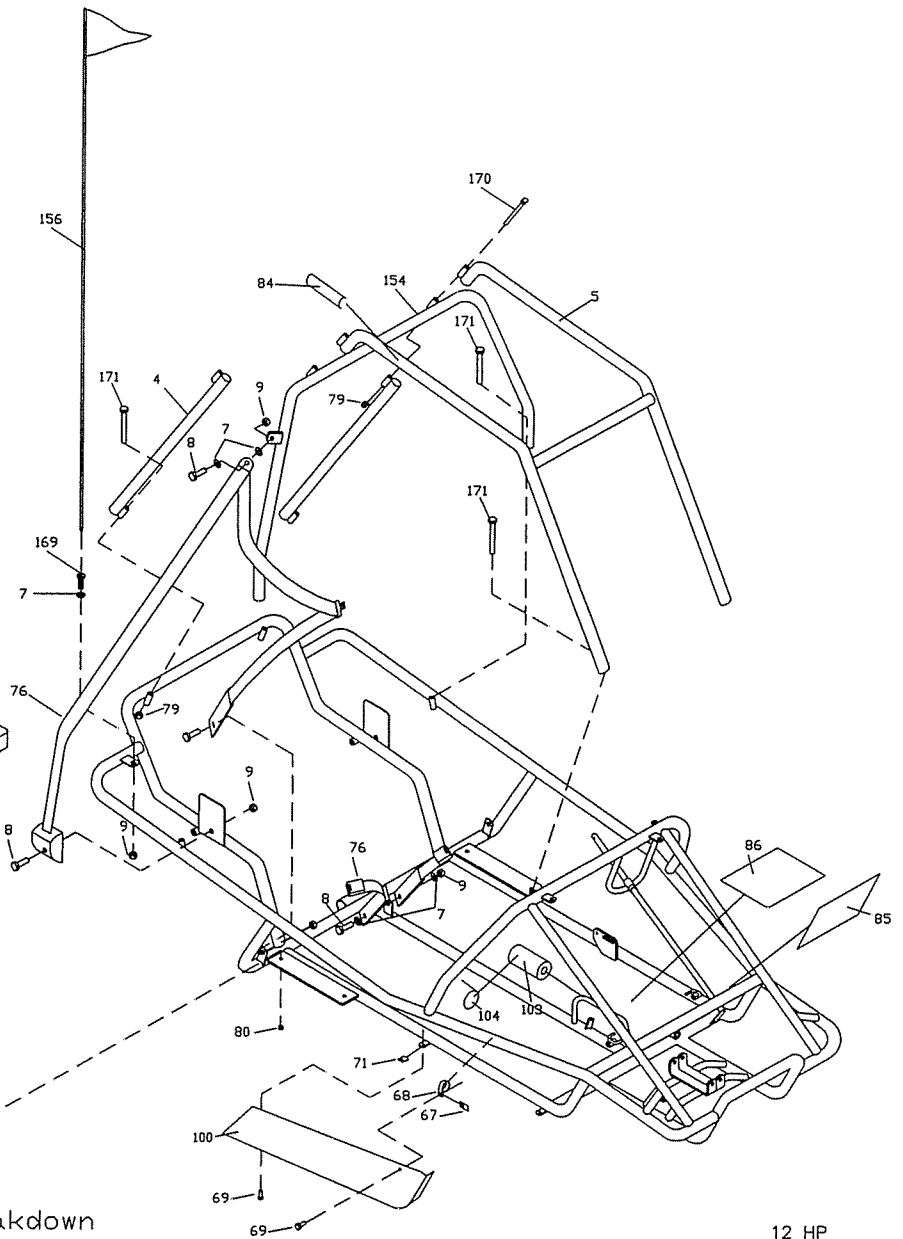
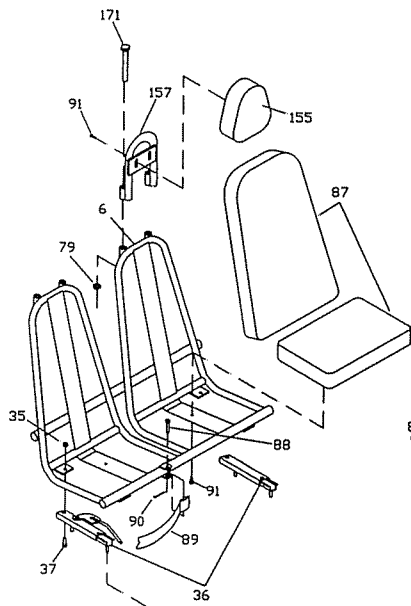
710 WIRING DIAGRAM

- KEY SWITCH PN 6344
- WIRING HARNESS PN 12158
- STOP SWITCH/LIGHT KIT PN 12159
- REPLACEMENT LIGHTS ONLY PN 10184
- SOLENOID PN 2084

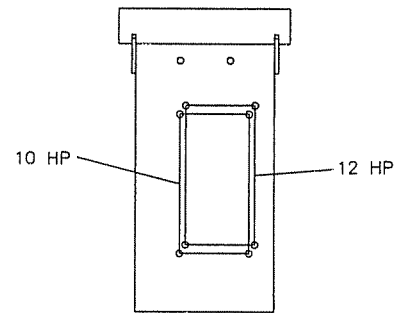
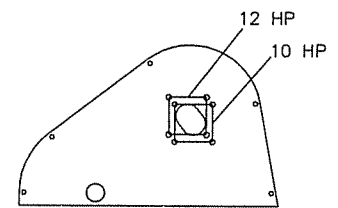
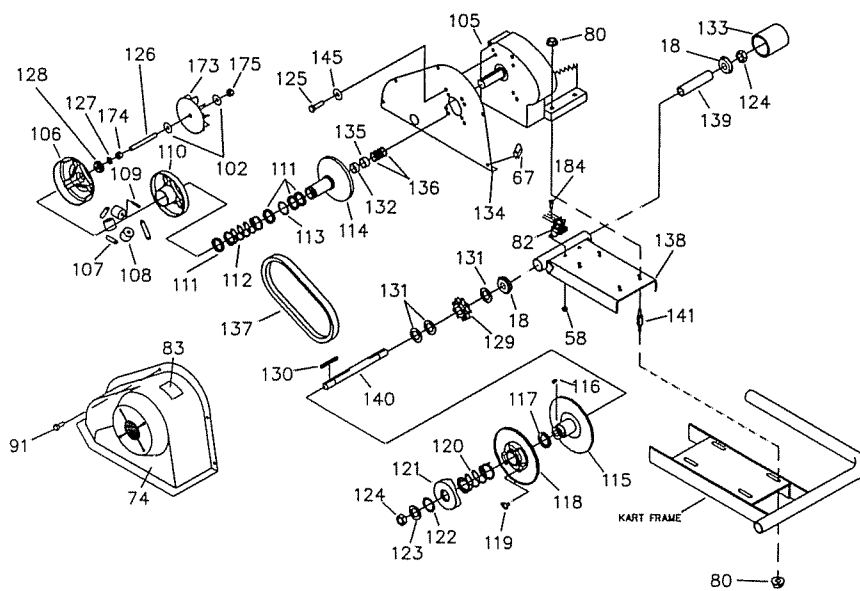
Brake Caliper Breakdown



Orientation of lever and hardware may vary.



Torque Converter Drive Breakdown



ENGINE MOUNTING DETAIL