

Operator's Manual SUPPLEMENT

MANCO MODEL NO.

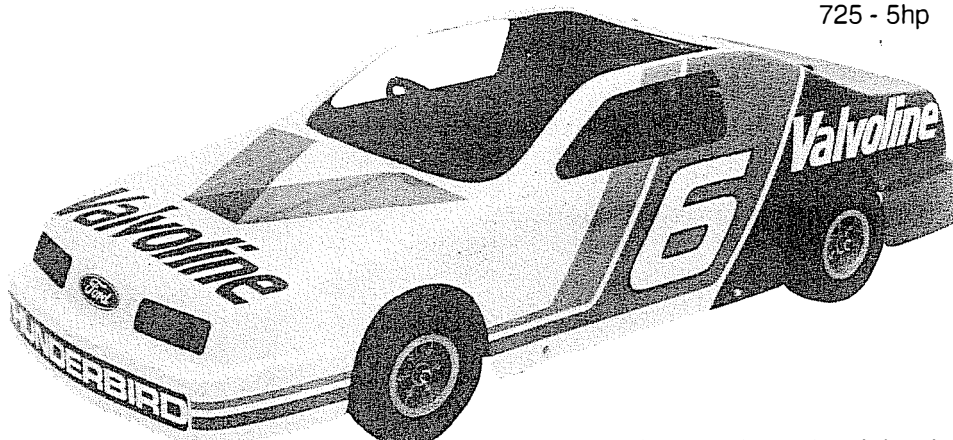
723
725
783

783

WARNING:
Read Engine
Owner's Manual,
Vehicle Operator's
Manual, and
Supplement
Carefully Before
Operating
Vehicle.



723 - 3.5hp
725 - 5hp



Shown with optional decals.

Parts List

ORDERING PARTS

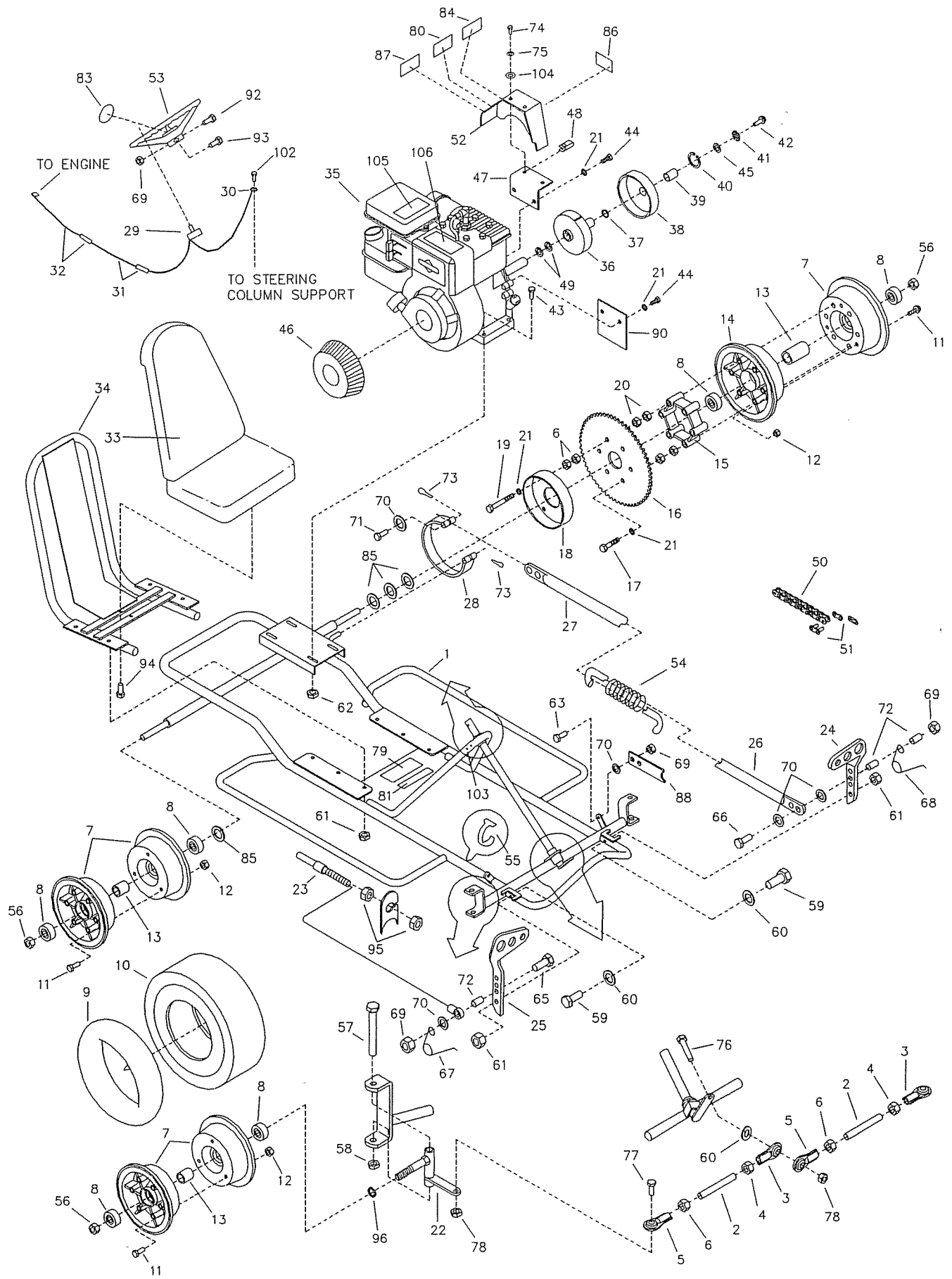
FAST & EASY!

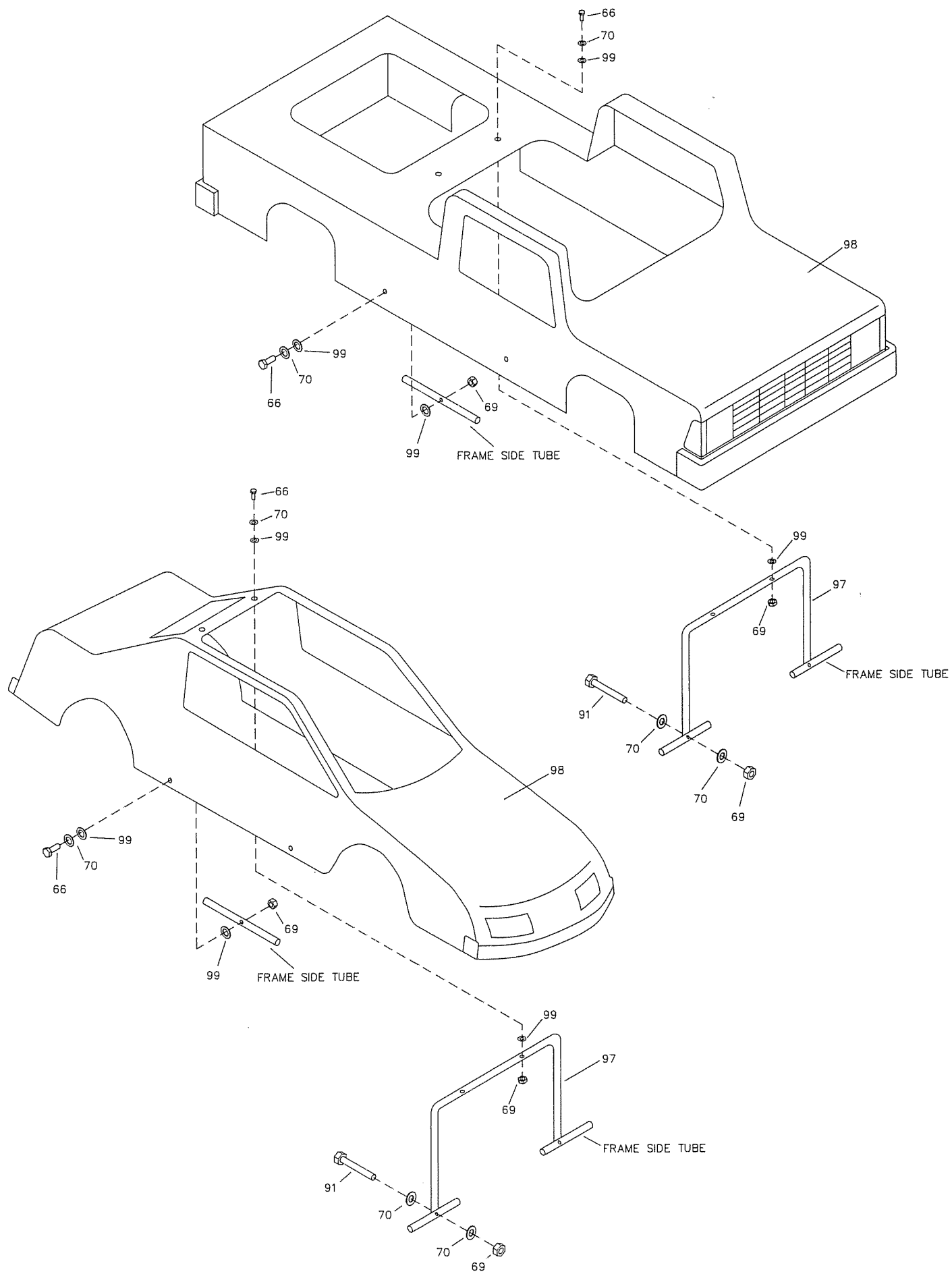
- 1) Seek Part(s) from your models illustrated diagram, cross over REF# to PART#
- 2) Type PART# into sites [Search Box] at GoKartsRus.com TIP! - RIGHT CLICK LINK, SELECT OPEN IN NEW TAB
- 3) Add all needed parts to Shopping Cart | Complete "Checkout" | ✓ Done!

If a part does not come up in a Site Search, please [Contact Us](#) (include part# in email)

LOWEST PRICES!

BEFORE OPERATING THIS VEHICLE, THE OWNER AND/OR OPERATOR MUST UNDERSTAND THE VEHICLE WAS NOT DESIGNED OR MANUFACTURED TO MEET SPECIFICATIONS FOR USE ON PUBLIC ROADS, STREETS, HIGHWAYS, OR THOROUGHFARES AND HAVE READ AND HAVE AN UNDERSTANDING OF ALL THE INSTRUCTIONS FOR SAFE ASSEMBLY AND OPERATION AS WELL AS THE INSTRUCTIONS GOVERNING THE ENGINE AND OTHER PORTIONS OF THE VEHICLE.





REPAIR PARTS
MODELS 723, 725, & 783

REF NO.	PART NO.	DESCRIPTION	REF NO.	PART NO.	DESCRIPTION
	1 9577-2	Frame		NI 5964	Decal, Oil Warning
ASM	4355	Tie Rod Asm. (incl. 2 - 6)	45	1943	Washer, 9/32 ID x 1-1/4 OD
	2 4352	Tie Rod	46	6237	Finger Guard (723, 783)
	3 1415	Rod End, LH	47	3363-2	Bracket, Chain Guard Mtg.
	4 9024	Nut, 3/8-24 LH Jam	48	5135	Nut, Tinnerman
	5 1414	Rod End, RH	49	1168	Washer, 3/4 ID
	6 9092	Nut, 3/8-24 RH Jam	50	6073	Chain, #35 x 72P (incl. 51)
ASM	5901	Wheel Asm w/Slick (723,725) (incl. 7 - 13)	51	1269	Master Link, #35 Chain
ASM	2247	Wheel Asm w/Knobby (783) (incl. 7 - 13)	52	3362	Chain Guard (723, 783)
ASM	4412	Wheel Asm, Drive w/Slick (723) (incl. 6 - 21)		6423	Chain Guard (725)
ASM	4778	Wheel Asm, Drive w/Knobby (783) (incl. 6 - 21)	53	6038	Steering Wheel
ASM	9400	Wheel Asm, Drive w/Slick (725) (incl. 7 - 16, 18 - 21, & 64)	54	9709	Spring, Compression
	7 8004	Wheel Half, 5" Untapped	55	1019	Ty-Wrap
	8 1093	Bearing, 5/8 ID w/ Snap Ring	56	1046	Nut, 5/8-11 Toplock
	9 1753	Tube, 4.10 - 3.50 x 5"	57	1264	Bolt, 1/2-13 x 3-1/2"
	10 6035	Tire, 4.10 - 3.50 x 5" Slick	58	1012	Nut, 1/2-13 Toplock
	2246	Tire, 4.10 - 3.50 x 5" Knobby	59	9110	Bolt, 5/16-18 x 1-3/4" Shldr.
	11 5839	Bolt, 1/4-20 x 3/4" Flange	60	9091	Washer, 3/8 Flat
	12 1186	Nut, 1/4-20	61	1189	Nut, 5/16-18 Toplock
	13 5949	Spanner, 5/8 ID x 1-13/16"	62	1263	Nut, 5/16-18, Whiz Flange
	14 8006	Wheel Half, 5" Tapped	63	1846	Bolt, 1/4-20 x 3/4"
	15 8008	Spacer	64	9127	Bolt, 5/16-18 x 2-1/4"
	16 8007	Sprocket, 60 Teeth	65	1847	Bolt, 1/4-20 x 1"
	17 2383	Bolt, 5/16-18 x 2-1/2"	66	1849	Bolt, 1/4-20 x 1-1/2"
	18 1246	Brake Drum, 4"	67	9502	Spring, Left Wound
	19 9000	Bolt, 5/16-18 x 3-1/2"	68	9503	Spring, Right Wound
	20 2388	Nut, 3/8-24	69	9057	Nut, 1/4-20 Toplock
	21 9030	Washer, 5/16 Inter Lock	70	1854	Washer, #14 Flat
NI	8020	Spindle, LH	71	9118	Pin, 1/4 x 1-1/4 Clevis
	22 8021	Spindle, RH	72	1389	Bushing, 1/4 ID x 5/16"
	23 1390	Cable, Throttle 61" (incl. 95)	73	9116	Cotterpin, 3/32 x 3/4"
	24 1436	Pedal, Brake	74	6046	Bolt, 10-24 x 1/2"
	25 1437	Pedal, Throttle	75	6039	Washer, #10 Lock
	26 9945-2	Brake Rod, Front	76	9145	Bolt, 3/8-16 x 1-3/4"
	27 9946-2	Brake Rod, Rear	77	9146	Bolt, 3/8-16 x 1-1/2"
	28 1036	Brake Band w/ Retainer	78	9085	Nut, 3/8-16 Toplock
ASM	9799	Stop Switch Asm (incl. 29 - 31)	79	4504	Decal, Warning
	29 1392	Stop Switch	80	1049	Decal, Caution - Drive Cover
	30 1393	Ring Terminal	81	2832	Decal, No Passengers
	31 1394	Wire, 50" w/ Splice Connector	82	-----	-----
	32 1406	Wire w/ Terminal	83	3296	Decal, Steering Wheel
	33 1976	Seat Pad	84	4912	Decal, Chain Guard
	34 4399-2	Seat Frame	85	1119	Spacer, 5/8 ID x 1/8" Thick
	35 8049	Engine, 3.5 hp (723, 783)	86	6791	Decal, Oil Clutch Here
	6010	Engine, 5 hp (725)	87	6621	Decal, Tire Pressure
ASM	4335	Clutch Asm (incl. 36 - 40)	88	1982	Pedal Latch
	36 4496	Clutch Rotor	89	1848	Bolt, 1/4-20 x 1/4"
	37 3146	Washer, Fiber	90	6960-2	Bracket, Brake Pin (723, 783)
	38 4491	Drum w/ Sprocket (incl. 39)	91	9103	Bolt, 1/4-20 x 2"
	39 3143	Bushing	92	9080	Bolt, 1/4-20 x 2-3/4"
	40 3141	Snap Ring	93	9160	Bolt, 1/4-20 x 7/8"
	41 5732	Washer, Int/Ext Lock	94	1876	Bolt, 1/4-20 x 5/8 Whiz Flange
	42 5733	Bolt, 1/4-28 x 3/4" Flange	95	9058	Nut, 5/16-24 Jam
	43 9186	Bolt, 5/16-18 x 1-1/2"	96	1937	Spacer, 5/8 OD x 11GA
	44 9101	Bolt, 5/16-24 x 1/2"	97	4943-2	Body Support Tube, Stock Car
				4880-2	Body Support Tube, Pick-Up
			98	4931	Stock Car Body (Specify Color)
				4184	Pick-Up Body (Specify Color)
			99	3463	Washer, 1/4 ID Rubber
			100	9001	Washer, 3/8" Int/Ext Lock

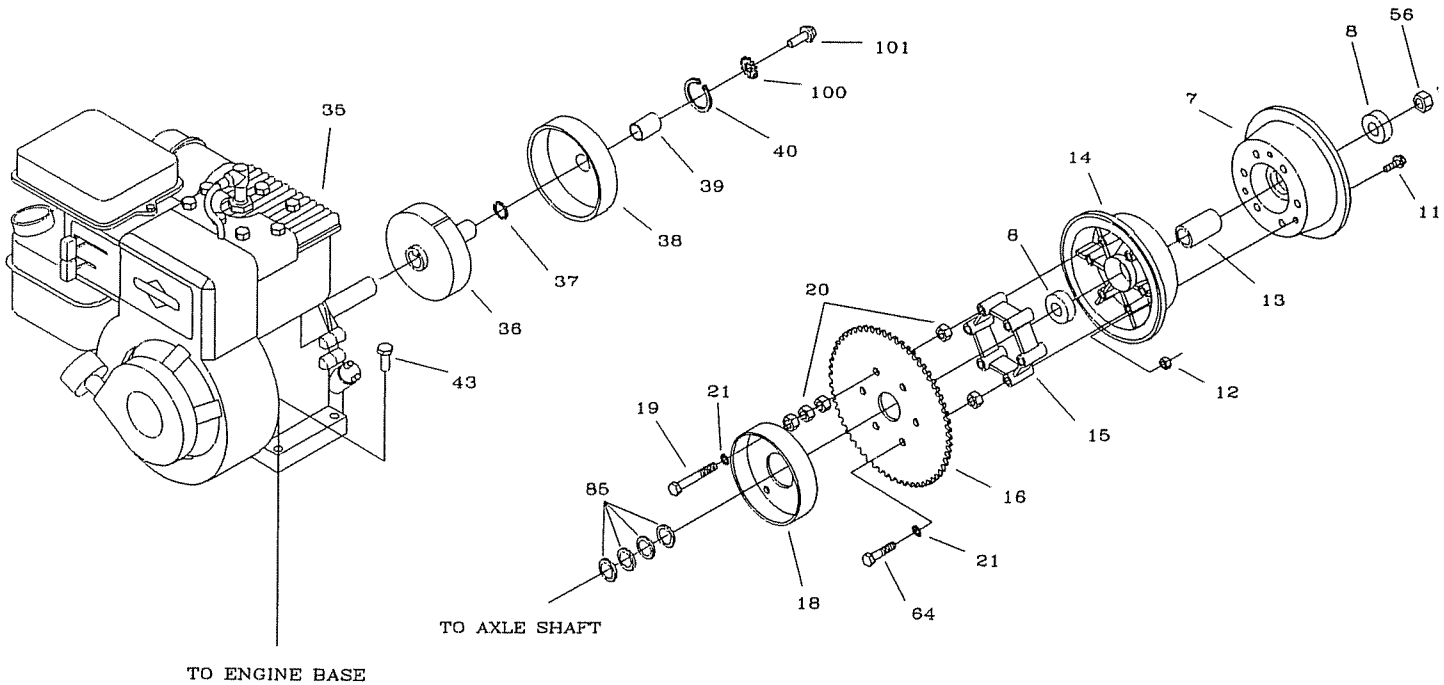
REPAIR PARTS MODELS 723, 725, & 783

REF NO.	PART NO.	DESCRIPTION
101	1491	Bolt, 5/16-24 x 3/4"
102	9796	Screw, 12-24 x 1/2" Self Tapping
103	1463	Bushing, Insulating
104	9104	Washer, #10 Flat
105	9677	Decal, Warning: Hot Surfaces
106	9678	Decal, Warning: Engine Exhaust
NI	6985	Seat Slide Pair
NI	3025	Operator's Manual
NI	9256R1	Assembly Instructions

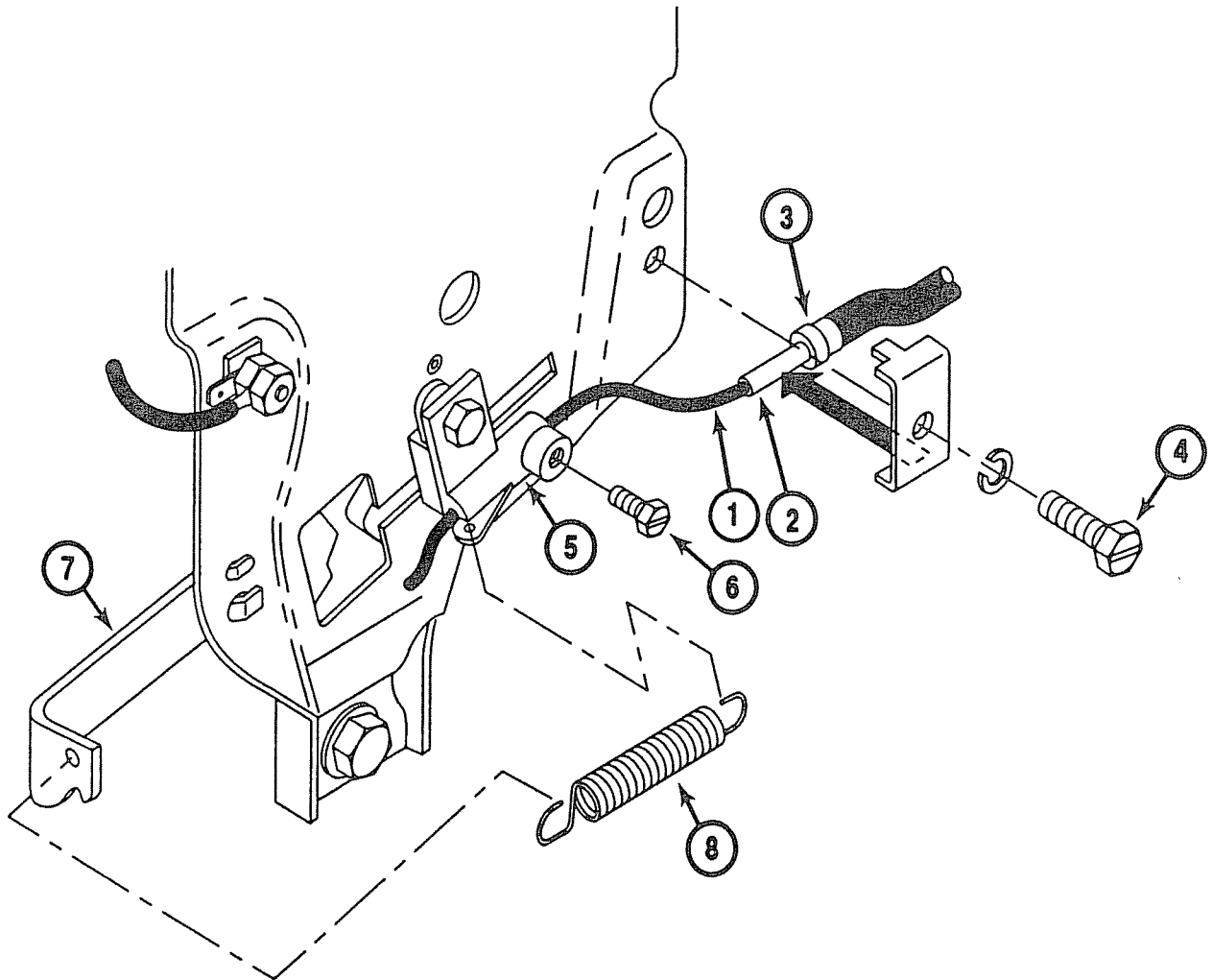
ASM = Assembly
NI = Not Illustrated

MODEL 725 ONLY

Engine Assembly and Drive Wheel Assembly Repair Parts



THROTTLE CABLE INSTALLATION



- ASSEMBLY:** Pass the Throttle Cable (Item 1) through the 1628 Cable Retainer (Item 2) and butt the Throttle Cable Housing End (Item 3) against the Inside Shoulder of the 1628 Cable Retainer (Item 2). The 1628 Cable Retainer (Item 2) is to be securely fastened to the engine with the Clamping Screw (Item 4). Pass the Wire End of the Throttle Cable Housing (Item 1) through the hole in the 5928 Cable Stop (Item 5). Before tightening 5929 Cable Stop Screw (Item 6):
1. Ensure 5926 Spring Anchor (Item 7), 5927 Spring (Item 8) and Throttle Cable are installed as illustrated above.
 2. Ensure throttle pedal is in rearward (idle) position.
 3. Ensure that there is no slack in the Throttle Cable Wire End (Item 1) with no tension applied to the spring (Item 8).
 4. Ensure Throttle Cable Housing End (Item 3) is inside and against the 1628 Cable Retainer (Item 2).