

# Operator's Manual SUPPLEMENT

MANCO MODEL NO.

723

725

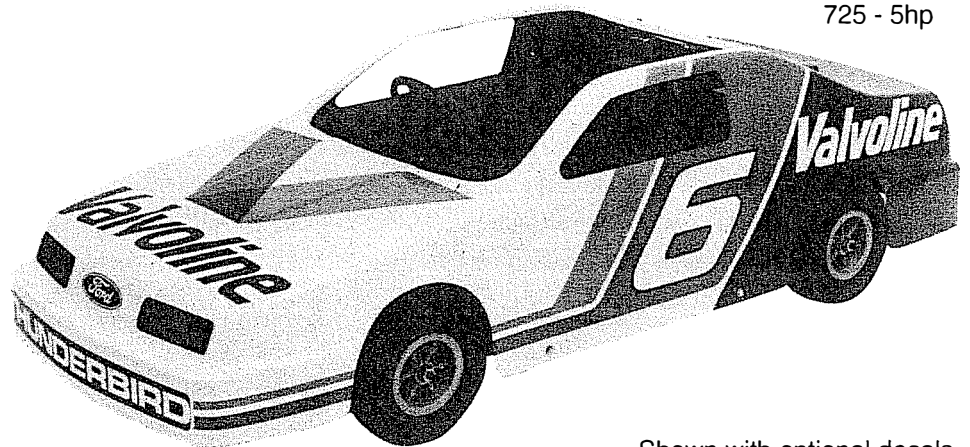
783

783

**WARNING:**  
Read Engine  
Owner's Manual,  
Vehicle Operator's  
Manual, and  
Supplement  
Carefully Before  
Operating  
Vehicle.



723 - 3.5hp  
725 - 5hp



Shown with optional decals.

Parts List

## ORDERING PARTS

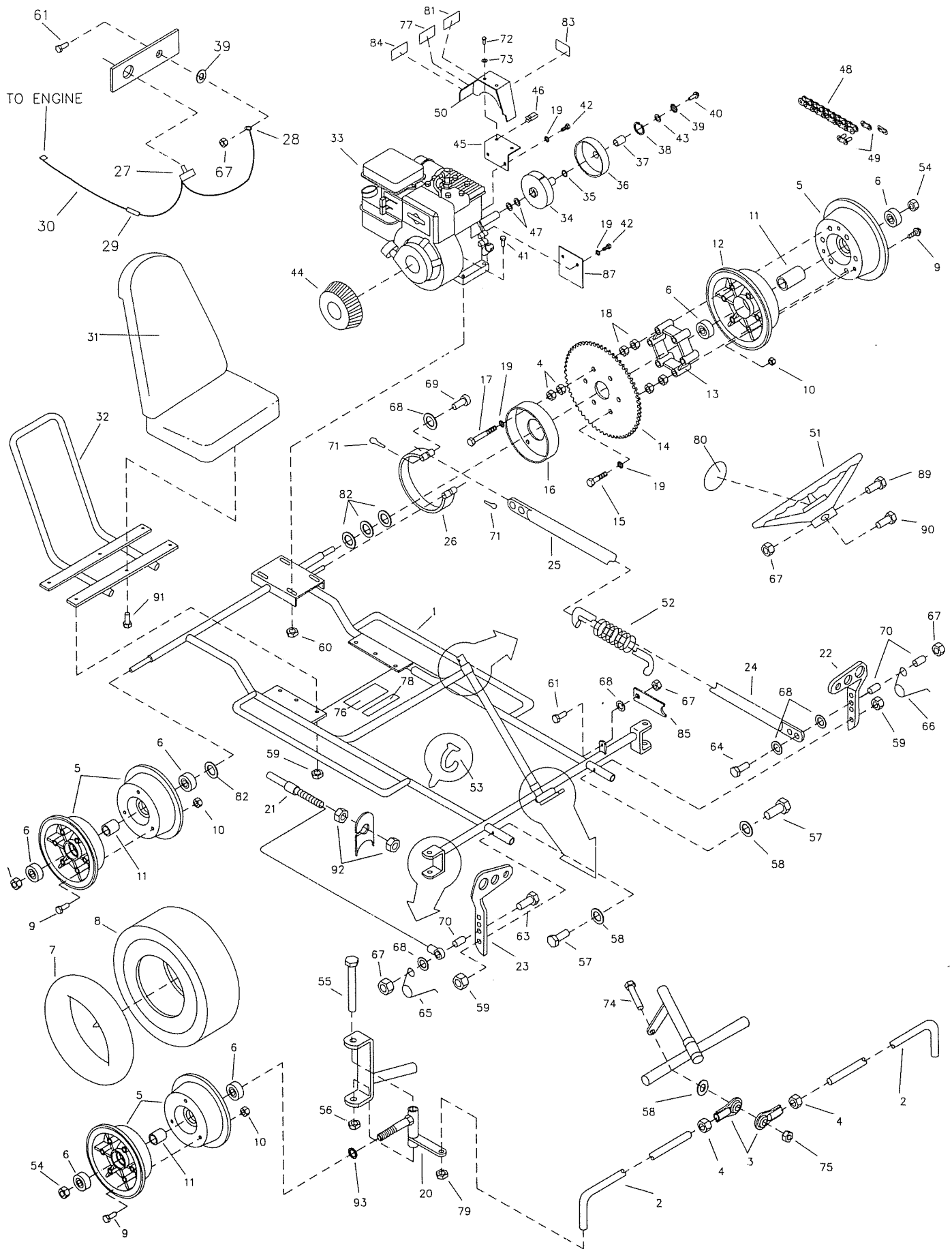
FAST & EASY!

- 1) Seek Part(s) from your models illustrated diagram, cross over REF# to PART#
- 2) Type PART# into sites [Search Box] at [GoKartsRus.com](http://GoKartsRus.com) TIP! - RIGHT CLICK LINK, SELECT OPEN IN NEW TAB
- 3) Add all needed parts to Shopping Cart | Complete "Checkout" | ✓ Done!

If a part does not come up in a Site Search, please [Contact Us](#) (include part# in email)

LOWEST PRICES!

BEFORE OPERATING THIS VEHICLE, THE OWNER AND/OR OPERATOR MUST UNDERSTAND THE VEHICLE WAS NOT DESIGNED OR MANUFACTURED TO MEET SPECIFICATIONS FOR USE ON PUBLIC ROADS, STREETS, HIGHWAYS, OR THOROUGHFARES AND HAVE READ AND HAVE AN UNDERSTANDING OF ALL THE INSTRUCTIONS FOR SAFE ASSEMBLY AND OPERATION AS WELL AS THE INSTRUCTIONS GOVERNING THE ENGINE AND OTHER PORTIONS OF THE VEHICLE.



REPAIR PARTS  
MODELS 723, 725, & 783

REF. NO.	PART NO.	DESCRIPTION	REF. NO.	PART NO.	DESCRIPTION
1	4406-2	Frame	34	4496	Clutch Rotor
<b>ASM</b>	4354	Tie Rod Asm. (incl. 2 - 4)	35	3146	Washer, Fiber
2	4353	Tie Rod, Hooked	36	4491	Drum w/ Sprocket (incl. 37)
3	1414	Rod End	37	3143	Bushing
4	9092	Nut, 3/8-24 Jam	38	3141	Snap Ring
<b>ASM</b>	5901	Wheel Asm. w/ Slick (723,725) (incl. 5 - 11)	39	5732	Washer, Int/Ext Lock
<b>ASM</b>	2247	Wheel Asm. w/ Knobby (783) (incl. 5 - 11)	40	5733	Bolt, 1/4-28 x 3/4" Flange
<b>ASM</b>	4412	Wheel Asm., Drive w/ Slick (723) (incl. 4 - 19)	41	9186	Bolt, 5/16-18 x 1-1/2"
<b>ASM</b>	4778	Wheel Asm., Drive w/ Knobby (783) (incl. 4-19)	42	9101	Bolt, 5/16-24 x 1/2"
<b>ASM</b>	9400	Wheel Asm., Drive w/Slick (725) (incl. 5 -14, 16 - 19, & 62)	<b>NI</b>	5964	Decal, Oil Warning
5	8004	Wheel Half, 5" Untapped	43	1943	Washer, 9/32 ID x 1-1/4OD
6	1093	Bearing, 5/8 ID w/ Snap Ring	44	6237	Finger Guard *
7	1753	Tube, 4.10 - 3.50 x 5"	45	3363-2	Bracket, Chain guard Mtg.
8	6035	Tire, 4.10 - 3.50 x 5" Slick	46	5135	Nut, Tinnerman
	2246	Tire, 4.10 - 3.50 x 5" Knobby	47	1168	Washer, 3/4 ID
9	5839	Bolt, 1/4-20 x 3/4" Flange	48	8050	Chain, #35 x 68P (incl. 49)
10	1186	Nut, 1/4-20	49	1269	Master Link, #35 Chain
11	5949	Spanner, 5/8 ID x 1-13/16"	50	3362	Chain guard
12	8006	Wheel Half, 5" Tapped	51	6038	Steering Wheel
13	8008	Spacer	52	5681	Spring, Compression
14	8007	Sprocket, 60 Teeth	53	1019	Ty-Wrap
15	2383	Bolt, 5/16-18 x 2-1/2"	54	1046	Nut, 5/8-11 Toplock
16	1246	Brake Drum, 4"	55	1264	Bolt, 1/2-13 x 3-1/2"
17	9000	Bolt, 5/16-18 x 3-1/2"	56	1012	Nut, 1/2-13 Toplock
18	2388	Nut, 3/8-24	57	9110	Bolt, 5/16-18 x 1-3/4" Shldr.
19	9030	Washer, 5/16 Inter Lock	58	9091	Washer, 3/8 Flat
<b>NI</b>	8020	Spindle, LH	59	1189	Nut, 5/16-18 Toplock
20	8021	Spindle, RH	60	1263	Nut, 5/16-18, Whiz Flange
21	1390	Cable, Throttle 61"	61	1846	Bolt, 1/4-20 x 3/4"
22	1436	Pedal, Brake	62	9127	Bolt, 5/16-18 x 2-1/4"
23	1437	Pedal, Throttle	63	1847	Bolt, 1/4-20 x 1"
24	2377	Brake Rod, Front	64	1849	Bolt, 1/4-20 x 1-1/2"
25	4351	Brake Rod, Rear	65	9502	Spring, Left Wound
26	1036	Brake Band w/ Retainer	66	9503	Spring, Right Wound
<b>ASM</b>	4419	Stop Switch Asm.(incl. 27 - 30)	67	9057	Nut, 1/4-20 Toplock
27	1392	Stop Switch	68	1854	Washer, #14 Flat
28	1393	Ring Terminal	69	9118	Pin, 1/4 x 1-1/4 Clevis
29	2650	Butt Connector	70	1389	Bushing, 1/4 ID x 5/16"
30	5642	Wire w/ Terminal	71	9116	Cotterpin, 3/32 x 3/4"
31	1976	Seat Pad	72	6046	Bolt, 10-24 x 1/2"
32	4399-2	Seat Frame	73	6039	Washer, #10 Lock
33	8049	Engine, 3.5hp	74	9145	Bolt, 3/8-16 x 1-3/4"
	6010	Engine, 5hp	75	9085	Nut, 3/8-16 Toplock
<b>ASM</b>	4335	Clutch Asm. (incl. 34 - 38)	76	4504	Decal, Warning
			77	1049	Decal, Caution - Drive Cover
			78	2832	Decal, No Passengers
			79	9123	Nut, 3/8-24 Toplock
			80	3296	Decal, Steering Wheel
			81	4912	Decal, Chain guard

REPAIR PARTS  
MODELS 723, 725, & 783

REF. NO.	PART NO.	DESCRIPTION	REF. NO.	PART NO.	DESCRIPTION
82	1119	Spacer, 5/8 ID x 1/8" Thick	95	4931	Stock Car Body(Specify Color)
83	6791	Decal, Oil Clutch Here		4184	Pick-up Body (Specify Color)
84	6621	Decal, Tire Pressure	96	3463	Washer, 1/4 ID Rubber
85	1982	Pedal Latch	97	9001	Washer, 3/8" Int/Ext Lock
86	1848	Bolt, 1/4-20 x 1/4"	98	1491	Bolt, 5/16-24 x 3/4"
87	6960-2	Bracket, Brake Pin *	<b>NI</b>	6985	Seat Slide Kit
88	9103	Bolt, 1/4-20 X 2"			
89	9080	Bolt, 1/4-20 x 2-3/4"			
90	9160	Bolt, 1/4-20 x 7/8"			
91	1876	Bolt, 1/4-20 x 5/8 Whiz Flange			
92	9058	Nut, 5/16-24 Jam			
93	1937	Spacer, 5/8" OD x 11GA			
94	4943-2	Body Support Tube, Stock Car			
	4880-2	Body Support Tube, Pick-up			

\* = Models 723 & 783 only

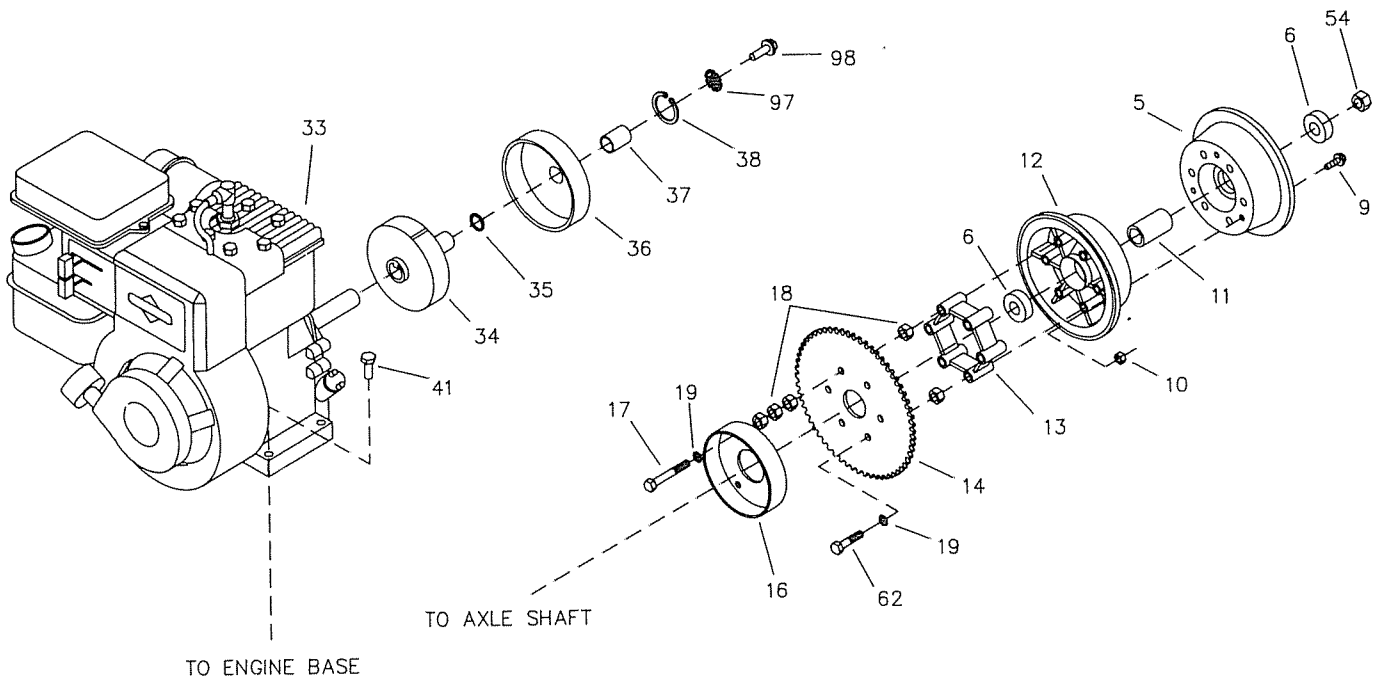
**ASM** = Assembly

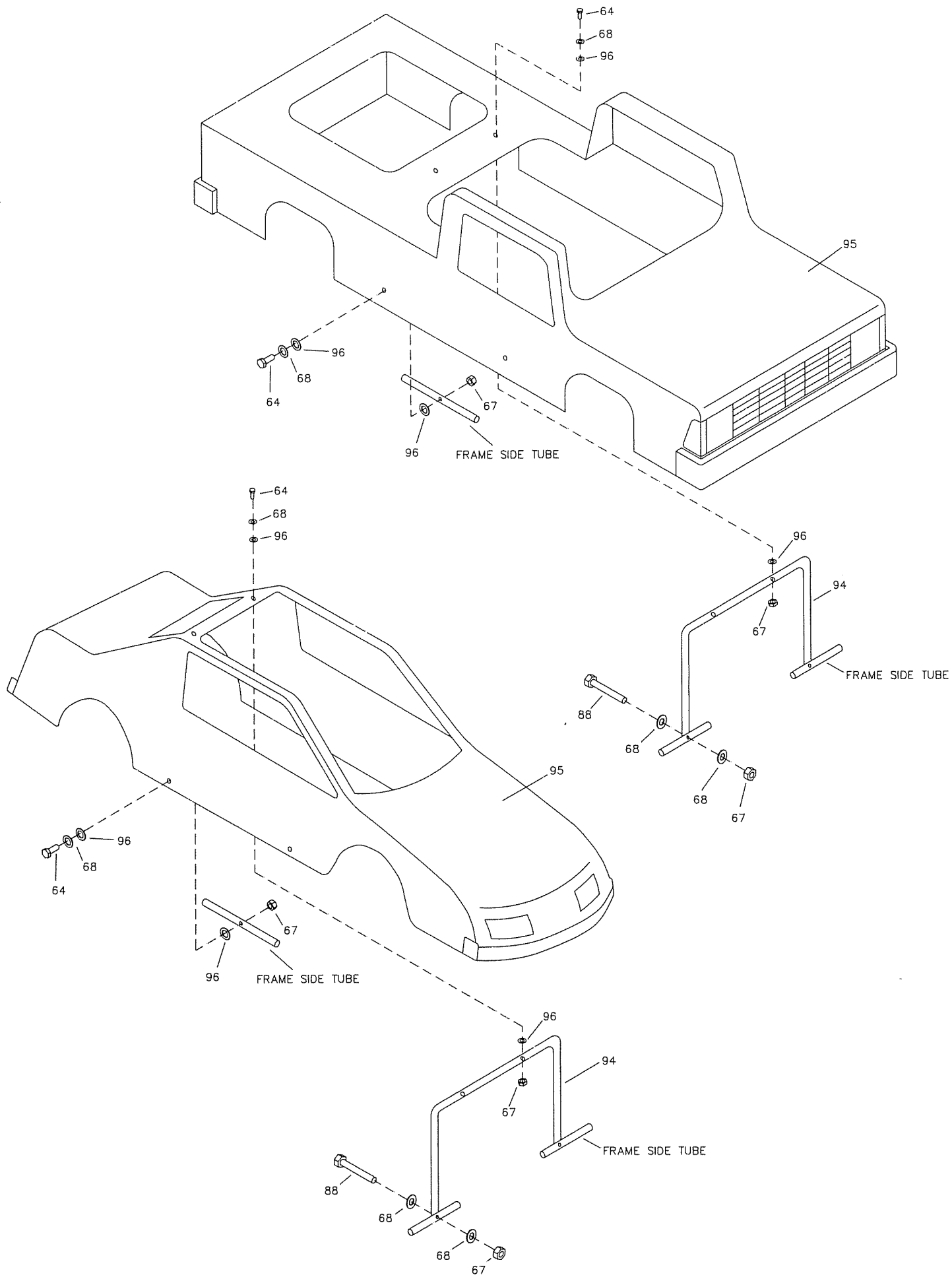
**NI** = Not Illustrated

**SM** = Specify Model

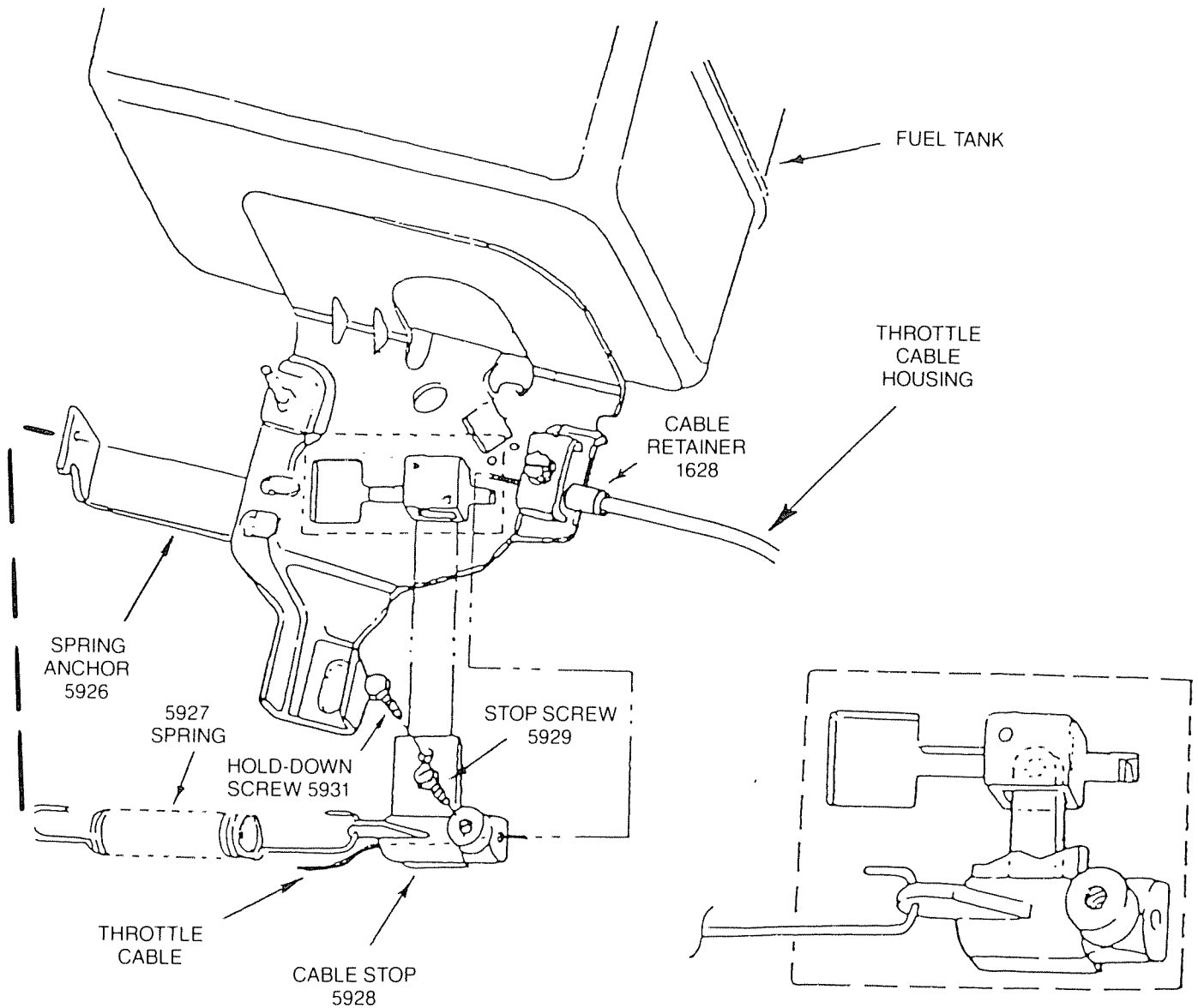
**MODEL 725 ONLY**

Engine Assembly and Drive Wheel Assembly Repair Parts





# THROTTLE CABLE INSTALLATION



**ASSEMBLY:** Pass the throttle cable through the cable retainer and butt the throttle cable housing end against the inside shoulder of the cable retainer. (The cable retainer is to be securely fastened to the engine with the clamping screw.) Pass the end of the Throttle Cable through the hole in the cable stop. Before tightening cable stop screw:

1. Ensure spring anchor, spring, and cable are installed as illustrated above.
2. Ensure throttle pedal is in rearward (idle) position.
3. Ensure that there is no slack in the throttle cable with *no* tension applied to return spring.
4. Ensure cable housing is inside and against the cable retainer.