

Operator's Manual SUPPLEMENT

Model No.
812E-0

WARNING:

Read Engine Owner's Manual, Vehicle Operator's Manual, and Supplement Carefully Before Operating Vehicle.

Parts List



ORDERING PARTS

- FAST & EASY!**
- 1) Seek Part(s) from your models illustrated diagram, cross over REF# to PART#
 - 2) Type PART# into sites [Search Box] at GoKartsRus.com TIP! - RIGHT CLICK LINK, SELECT OPEN IN NEW TAB 
 - 3) Add all needed parts to Shopping Cart | Complete "Checkout" |  Done!

If a part does not come up in a Site Search, please [Contact Us](#) (include part# in email)

LOWEST PRICES!

THIS VEHICLE IS FOR OFF-ROAD USE ONLY

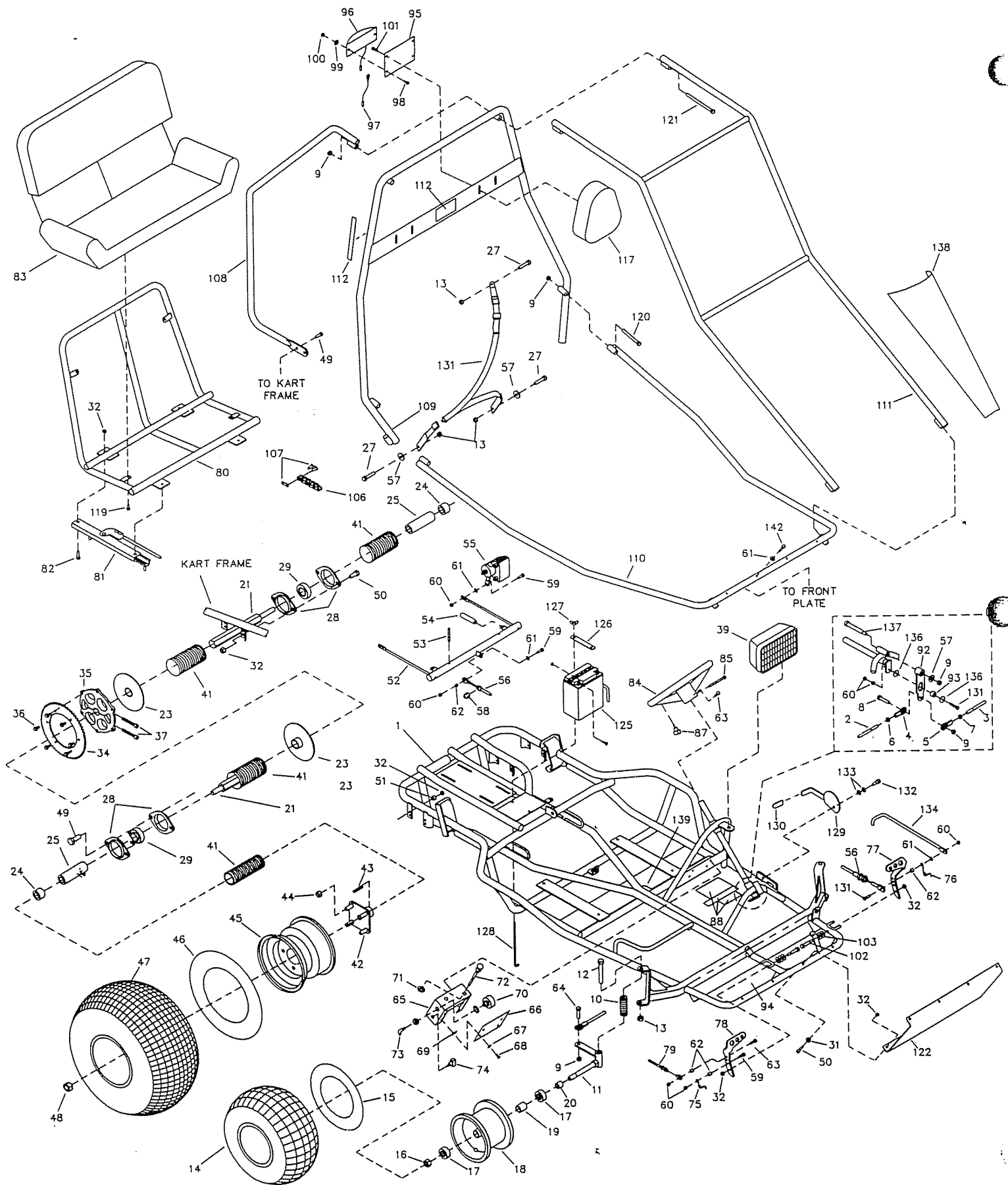
BEFORE OPERATING THIS VEHICLE, THE OWNER AND/OR OPERATOR MUST UNDERSTAND THE VEHICLE WAS NOT DESIGNED OR MANUFACTURED TO MEET SPECIFICATIONS FOR USE ON STREETS, HIGHWAYS, OR THOROUGHFARES AND HAVE READ AND HAVE AN UNDERSTANDING OF ALL THE INSTRUCTIONS FOR SAFE ASSEMBLY AND OPERATION AS WELL AS THE INSTRUCTIONS GOVERNING THE ENGINE AND OTHER PORTIONS OF THE VEHICLE.

REPAIR PARTS - 812E-0

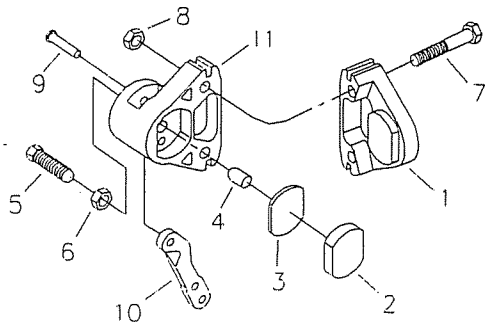
REF. NO.	PART NO.	DESCRIPTION	REF. NO.	PART NO.	DESCRIPTION	
	1	8675-7		72	6313	Choke Cable
	2	8341		73	2290	Ignition Key
	3	3224		74	6391	Light Switch Assembly
	4	1414		75	9503	Spring, Right Wound
	5	1415		76	9502	Spring, Left Wound
	6	9092		77	1436-16	Brake Pedal
	7	9024		78	6309-16	Throttle Pedal, Trimmed
	8	9145		79	8173	Throttle Cable
	9	9085		80	8688-2	Seat Frame Weldment
	10	8448		81	8655	Seat Slide Pair
	11	2457-2Z		82	2264	Bolt, 5/16-18 x 3/4"
	NI	2458-2Z		83	8692	Seat Back/Bottom
	12	8453		84	6038	Steering Wheel
	13	1012		85	9080	Bolt, 1/4-20 x 2-3/4"
	14	4915		86	-----	
	15	3802		87	6394	Stop Switch Assembly
	16	1046		88	11330	Decal Sheeat, Engine & Main Frame Warnings
	17	5090		89	-----	
	18	9309FP		90	-----	
	19	5950		91	1848	Bolt, 1/4-20 x 1-1/4"
	20	5157-16		92	9834-2	Steering Crank Weldment
	21	10455		93	9873	Cam Follower Bearing
	22	-----		94	1441	Decal, Front Floor Pan
	23	6314H		95	6305-2	Tail Light Bracket
	24	4914-16		96	6508	Tail Light Assembly
	25	8462-16		97	6319	Tail Light Ground Wire
	26	8373		98	9106	Bolt, #10-32 x 1/2"
	27	9188		99	6039	Washer, #10 Internal Lock
	28	6617		100	6193	Nut, #10-32 Acorn
	29	3941H		101	5839	Bolt, 1/4-20 x 3/4" Flanged Whiz
	30	-----		102	1447	Pedal Bolt
	31	9060		103	9091	Washer, 3/8 Flat
	32	1189		104	-----	
	33	9186		105	-----	
	ASM	6420H		106	9343	Chain, 420 x 71 Links plus Master Link
	34	6282		107	2037	Master Link, 420 Chain
	35	6280H		108	8702-7	Rear Bar
	36	9006		109	8700-7	Center Bar
	37	6701		110	8699-7	Front Bar
	38	-----		111	8701-7	Overhead Bar
	39	10572		112	11329	Decal Sheet, Center Bar Warnings
	40	-----		113	-----	
	41	K808-02		114	-----	
	42	1557H		115	-----	
	43	-----		116	8463	Spacer, 1" ID x 2.625"
	44	1428		117	6320	Headrest
	ASM	1412		118	-----	
	45	1451		119	1876	Bolt, 1/4-20 x 5/8" Flanged Whiz
	46	1430		120	2386	Bolt, 3/8-16 x 3-1/2"
	47	1452		121	6452	Bolt, 3/8-16 x 5"
	48	9162		122	10490-7	Front Plate
	49	9176		123	-----	
	50	6573		124	-----	
	51	9674-16		125	3633	Battery
	52	8331-2		126	9642-2	Battery Clamp Bar
	53	9455		127	9468	Nut, #10-32 Nylock Wing
	54	9780		128	9430	Battery Hold Down Rod
	55	8197		129	8673-2	Parking Brake Handle
	NI	8444		130	4900	Brake Handle Cover
	56	8640		131	1849	Bolt, 1/4-20 x 1-1/2"
	57	9022		132	9172	Bolt, 3/8 x 1/4 Shoulder
	58	9174		133	6441	Washer, 3/8 ID Spring
	59	1847		134	8672	Parking Brake Rod
	60	9057		135	6440	Nut, 5/16-18 Jam
	61	1854		136	9872	Washer, 1/4 Flat
	62	1389		137	9871	Shoulder Bolt, 1/2 x 3
	63	9160		138	2257	Fairing
	64	9146		139	8676	Grommet
	65	6296-2		NI	9247R5	Assembly Instructions
	66	9528-2		NI	6477	Dingo Operator's Manual
	67	6039		NI	10735	Tecumseh Engine Manual
	68	6046				
	69	5135				
	70	6344				
	71	1469				

ASM = Assembly

NI = Not Illustrated

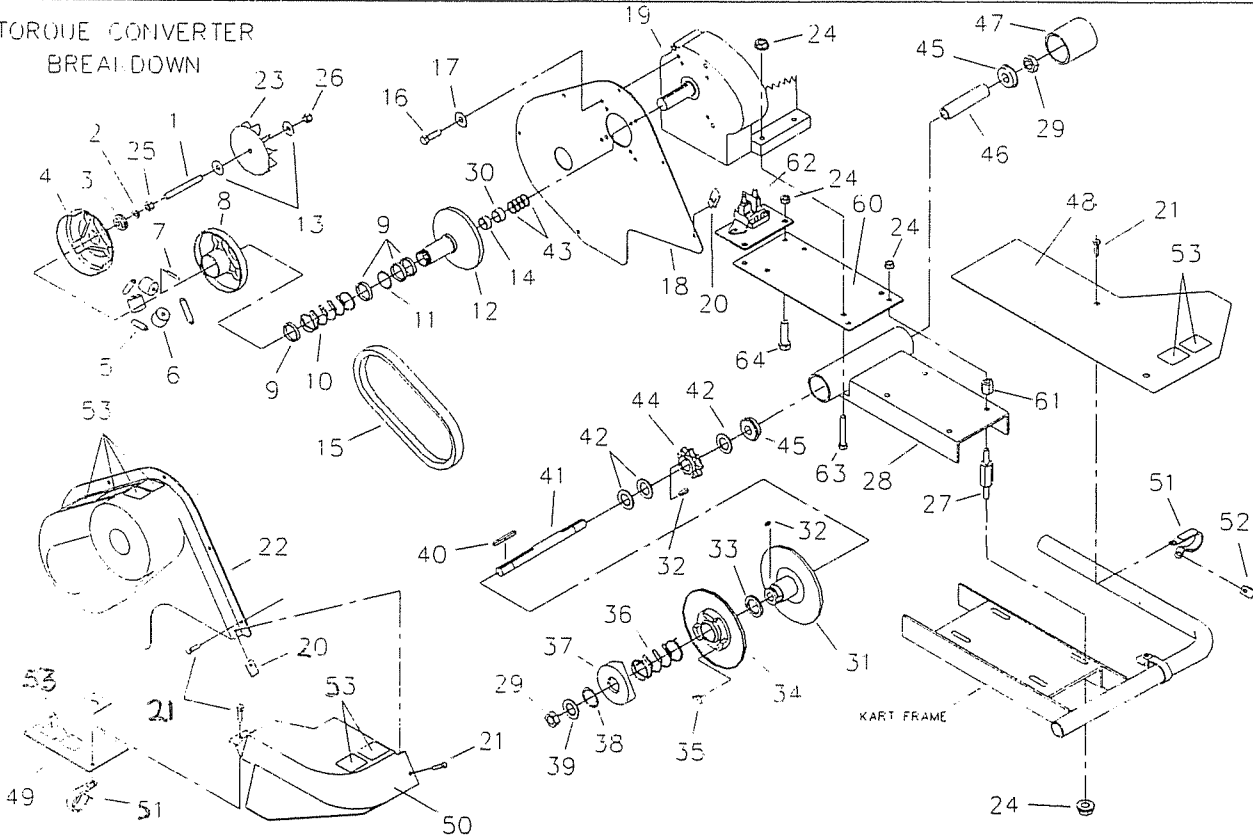


CALIPER BREAKDOWN



REF. NO	PART NO	DESCRIPTION
ASM	8197	Brake Caliper (incl. 1-11)
ASM	9810	Brake Pad Svc Kit (incl. 1-3)
1	*	Anvil w/Lining
2	*	Brake Lining
3	3928	Backing Plate
4	3930	Actuator Pin
5	3931	Adjuster Pin
6	3932	Nut, Jam
7	9158	Bolt, 3/8-16 x 2-1/4"
8	9085	Nut, 3/8-16 Toplock
ASM	6534	MB-1 Service Kit (incl. 9-11)
9	*	Groove Pin
10	*	Lever
11	*	Brake Housing

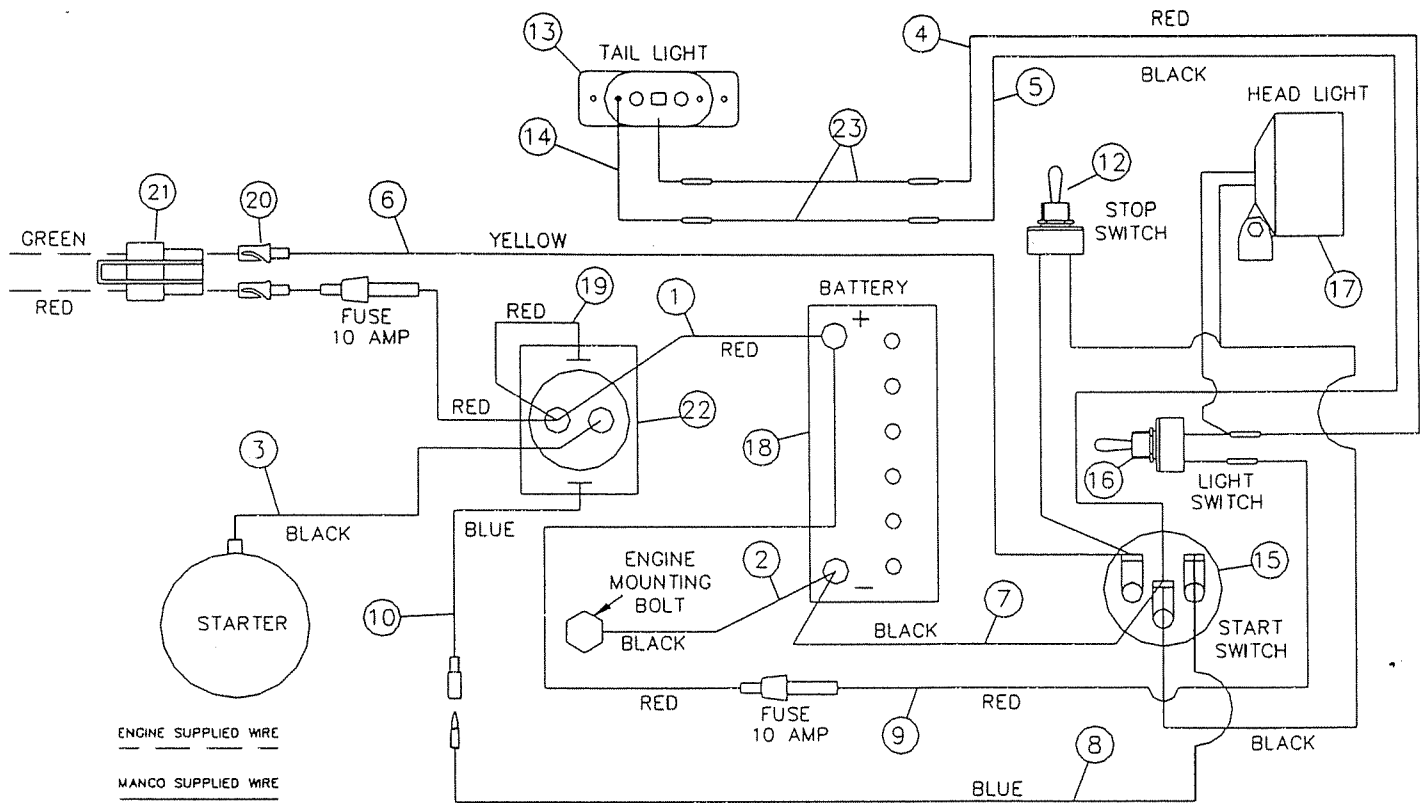
TORQUE CONVERTER BREAKDOWN



REF. NO	PART NO	DESCRIPTION	REF. NO	PART NO	DESCRIPTION	REF. NO	PART NO	DESCRIPTION
1	8689	Stud, 3/8-24 x 4-1/4"	23	8600	Impeller	45	5090	Bearing
2	1130	Washer, 3/8 Split Lock	24	1263	Nut, 5/16-18 Flange	46	2430	Spanner
3	2468	Washer, Pilot	25	2388	Nut, 3/8-24 Hex	47	8194	Cap, Plastic
ASM	2594	Driver Pulley Assembly (incl. REF. 4-12)	26	9123	Nut, 3/8-24 Toplock Hex	48	8443	Right Deck Cover
4	*	Cover and Drive Plate	27	9186	Bolt, 5/16-18 x 1-1/2"	49	8924	Left Deck Cover
5	2472	Extension Spring	28	8908	Chassis	50	8923	Caliper Cover - Left
6	2470	Cam Roller	29	1466	Nut, 5/8-11 Flexlok Jam	51	8266	Loop Clip
7	2471	Spring Clip	30	4914	Spacer, 1" ID x 9/16	52	8227	Clip Nut
8	*	Moveable Face and Hub	ASM	8664	Driven Pulley Assembly (incl. REF. 31-39)	53	11330	Decal sheet, Engine & Main Frame Warnings
9	2474	Guide Bushing	31	*	Fixed Face and Post	54	---	
10	2475	Compression Spring	32	1031	Key, 3/16sq x 1/2"	55	---	
11	*	Retaining Ring	33	2483	Spacer	56	---	
12	*	Fixed Face and Post	34	*	Moveable Face and Cam	57	8441	Caliper Cover - Right
13	9125	Washer, 3/8 Flat	35	2516	Button Insert	58	9176	Bolt, 5/16-18 x 1"
14	1082	Spacer, 1" ID x 7/16	36	2480	Torsion Spring	59	9030	Washer, 5/16 Int. Lock
15	6814	Belt, Symmetrical	37	*	Fixed Cam	60	10411	Adapter Plate
16	9101	Bolt, 5/16-24 x 3/4"	38	2478	Thrust Washer	61	8506	Engine Standoff
17	9060	Washer, 5/16 Plain	39	2477	Retaining Ring	62	8679	Solenoid Assembly
18	8745	Cover Panel	40	3403	Key, 3/16sq x 2"	63	9186	Bolt, 5/16-18 x 1-1/2"
19	10421	Engine, 12HP Tecumseh	41	8854	Jackshaft, 13 69"	64	2264	Bolt, 5/16-18 x 3/4"
20	2449	Nut, Tinnerman	42	1119	Spacer, 5/8ID x 1/8"	NI	9677	Decal, Warning: Hot Surfaces
21	9006	Bolt, 1/4-20 x 1/2" Whiz	43	3887	Spacer, 1" ID x 1/16	NI	9678	Decal, Warning: Eng. Exhaust
22	8739	Cover Assembly	44	1125S	Sprocket, 9T #420	NI	5964	Decal, Oil Warning

* = Not Available Separately

WIRING DIAGRAM



REF NO.	PART NO.	DESCRIPTION	REF NO.	PART NO.	DESCRIPTION
1	3611	Battery Cable, Red 9 in.	13	6508	Tail Light Assembly
2	3610	Battery Cable, Black 9 in.	14	6319	Wire, Taillight Ground
3	3611	Battery Cable, Red 9 in.	15	6344	Start Switch
ASM	9376P	Wiring Harness (incl. 4-9)	16	10574	Light Switch Assembly
4	-----	Wire, Taillight/Light Switch (Red)	17	10572	Headlight Assembly
5	-----	Wire, Taillight/Switch (Black)	NI	2964	Headlight Bulb
6	-----	Wire, Engine/Switch (Yellow)	18	3633	Battery
7	-----	Wire, Batt Gnd/Switch (Black)	19	2093	Solenoid Jumper Wire Assembly
8	-----	Wire, Solenoid/Switch (Blue)	20	10437	Terminal, PE Male Spade
9	-----	Wire, Solenoid/Light Switch (Red)	21	10438	Housing, PE
10	8281	Start Wire Adapter	22	2084	Solenoid
11	-----		23	8504	Extension Wire Assembly
NI	6378	Poly Loom 1/2" per foot	NI	9389	Fuse, 10 Amp
NI	6763	Poly Loom "Tee"	NI	6304-2	Solenoid Bracket, Black
NI	6813	Poly Loom "Outlet"			
12	10573	Stop Switch Assembly			

NI = Not Illustrated
 ASM = Assembly