
ADULT ATV **PARTS MANUAL**

2WD MODEL: 8260

4WD MODEL: 8264

**PLEASE NOTE: MODEL WAS DISCONTINUED AFTER 2007.
WE STILL MAY HAVE PARTS AVAILABLE! FOLLOW BELOW
INSTRUCTIONS ON CALLING UP PART#'S...**

82756R2

ORDERING PARTS

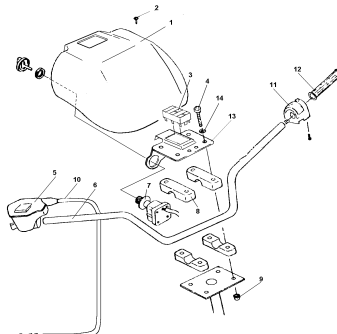
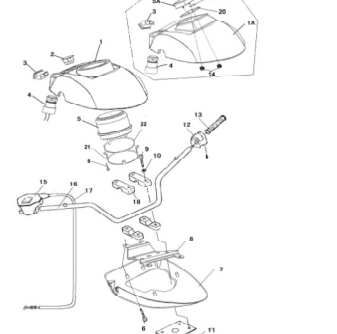
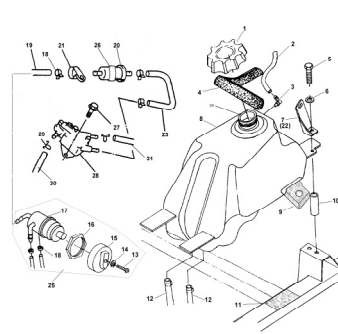
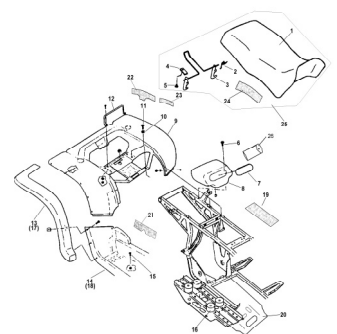
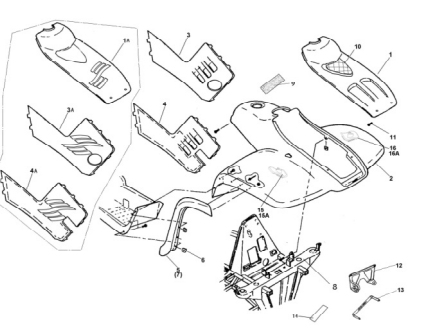
FAST & EASY!

- 1) Seek Part(s) from your models illustrated diagram, cross over REF# to PART#
- 2) Type PART# into sites [Search Box] at GoKartsRus.com TIP! - RIGHT CLICK LINK, SELECT
OPEN IN NEW TAB 
- 3) Add all needed parts to Shopping Cart | Complete "Checkout" |  Done!

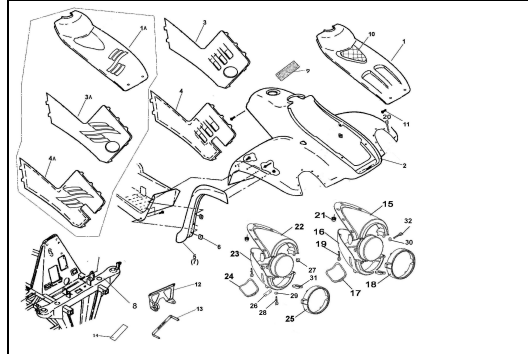
If a part does not come up in a Site Search, please [Contact Us](#) (include part# in email)

LOWEST PRICES!

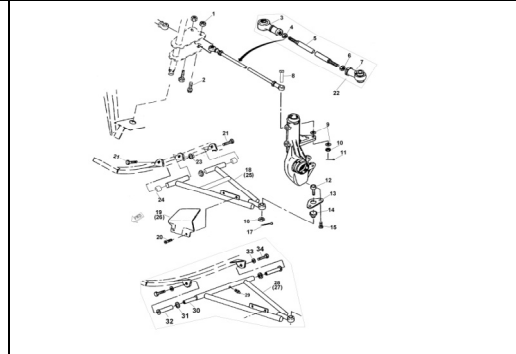
REFERENCE GLOSSARY FOR MAIN PARTS DIAGRAMS FOLLOWING....

1.0 HANDLEBAR 	1.1 HANDLEBAR(FOR 05) 	2.0 FUEL TANK 
3.0 REAR FENDERS 	4.0 FRONT BODY&FRAME 	

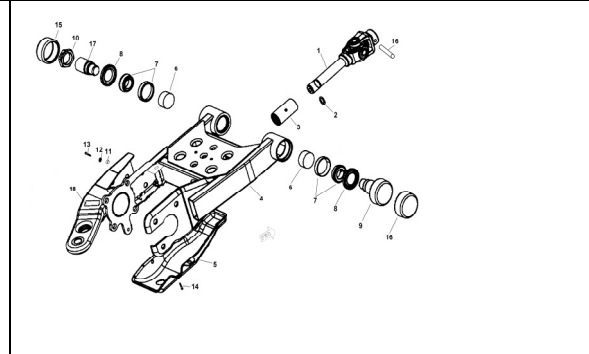
4.1 FRONT BODY&FRAME



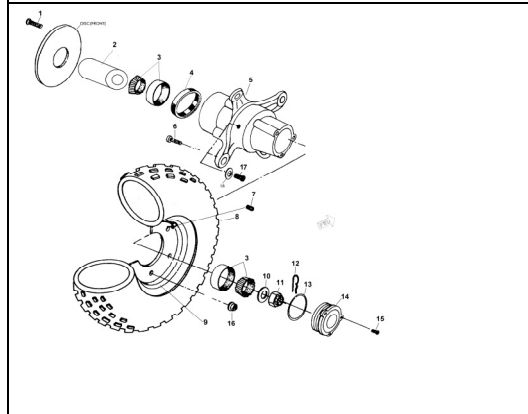
5.0 A-ARM



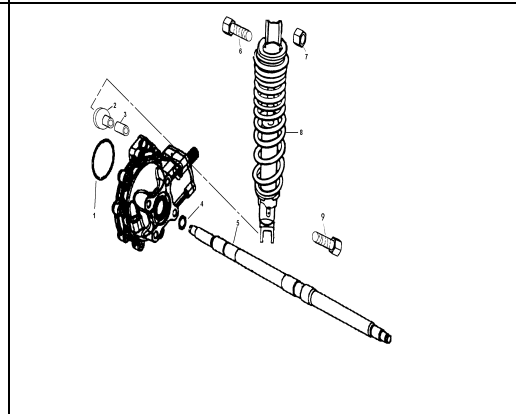
6.0 SWINGARM ASSY



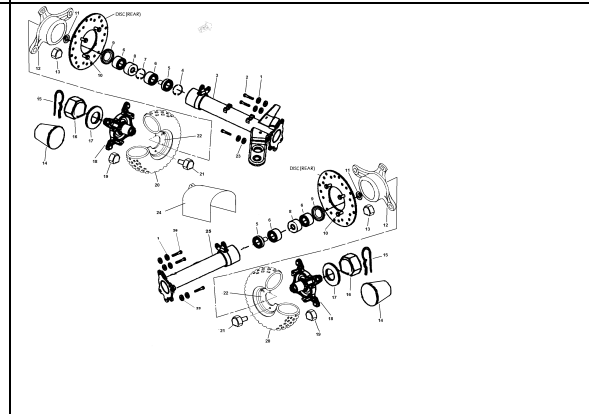
7.0 WHEEL FRONT



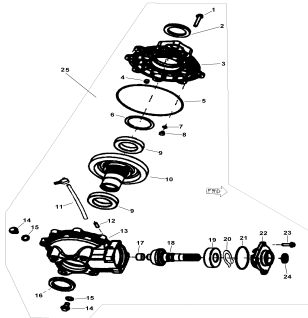
8.0 SHOCK ABSORBER REAR



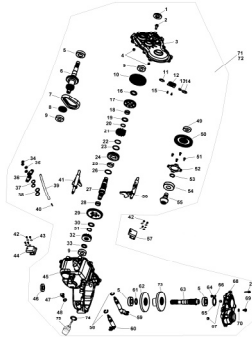
9.0 WHEEL REAR



10.0 REAR GEAR-BOX



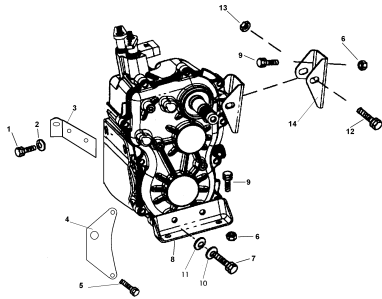
11.0 TRANSMISSION



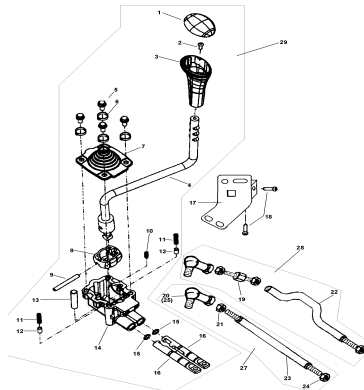
11.3 TRANSMISSION.0(FOR 4WD)



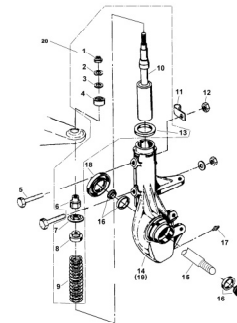
12.0 SUPPORT BRACKET



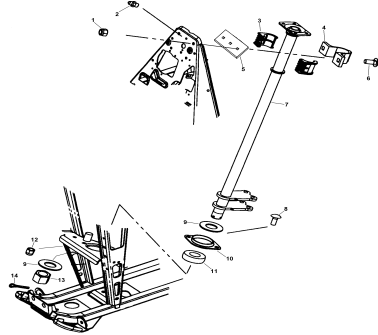
13.0 SHIFT ROD



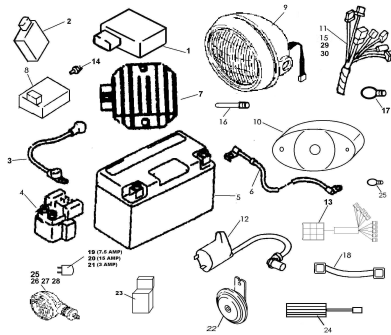
14.0 SHOCK ABSORBER FRONT



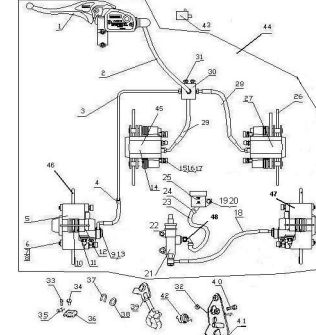
15.0 STEERING COLUMN



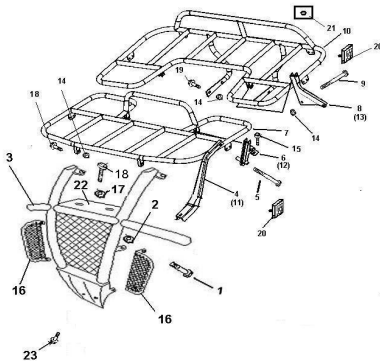
16.0 ELECTRICAL SYSTEM



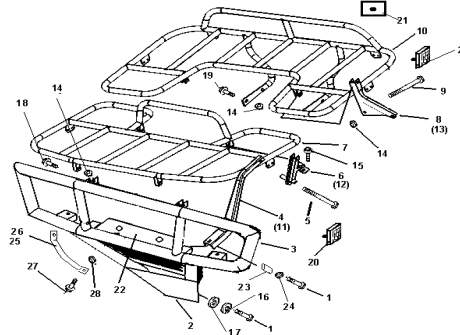
17.0 BRAKING SYSTEM



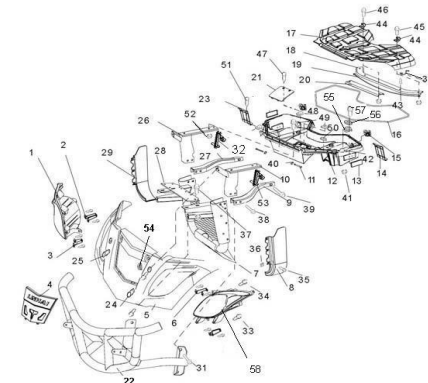
18.0 BUMPER&RACK



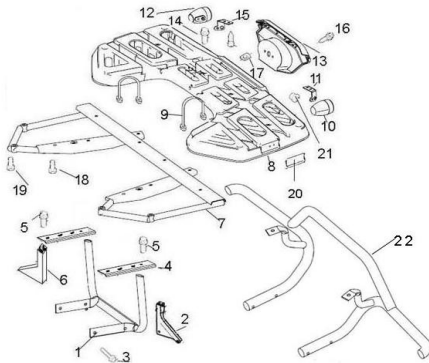
18.1 BUMPER&RACK

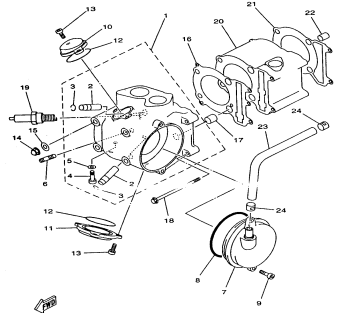
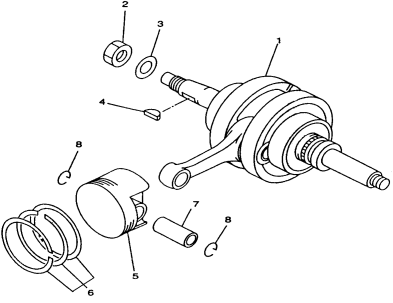
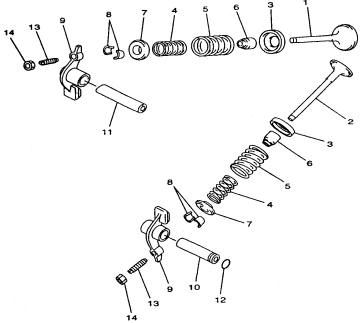
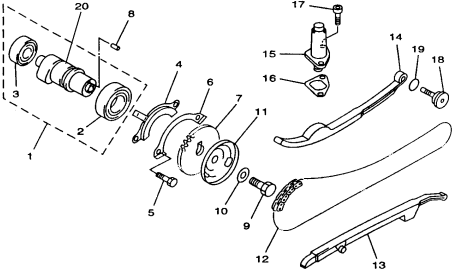
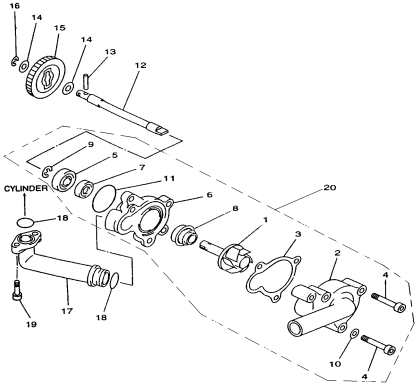
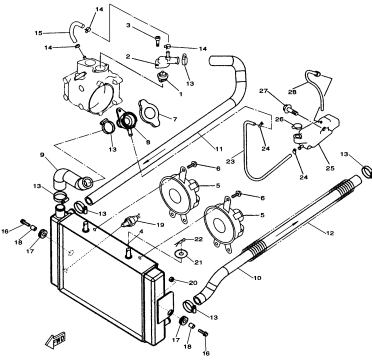


18.2 FRONT BUMPER & RACK

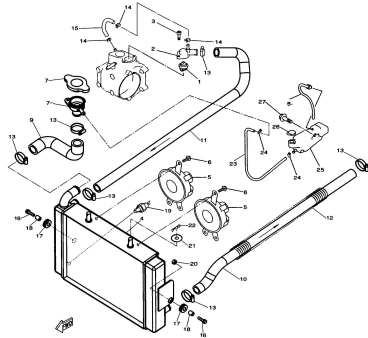


18.3 REAR RACK

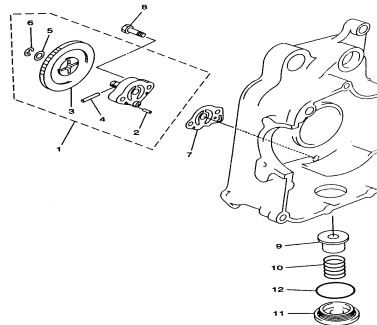


19.0 CYLINDER	20.0 CRANKSHAFT COMP	21.0 VALVE
		
22.0 CAMSHAFT	23.0 WATER PUMP	24.0 RADIATOR (FOR 04)
		

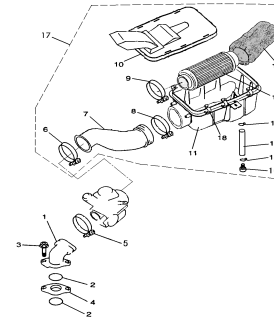
24.1 RADIATOR (FOR 05)



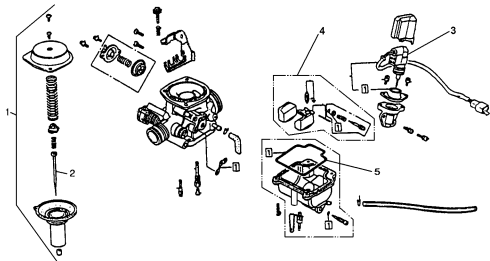
25.0 OIL PUMP



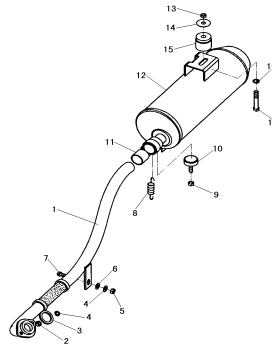
26.0 AIR CLEANER



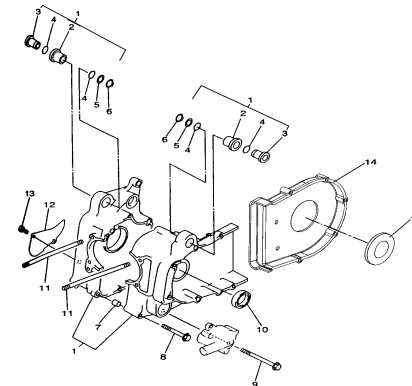
27.0 CARBURETOR



28.0 EXHAUST

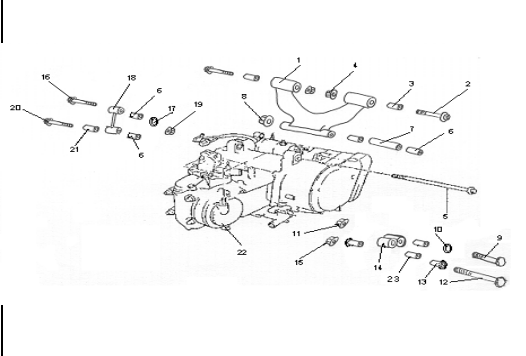


29.0 CRANKCASE

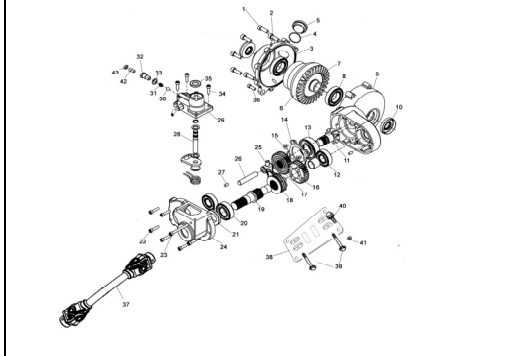


<p>30.0 LEFT&RIGHT COVER</p>	<p>31.0 STARTER</p>	<p>32.0 CLUTCH</p>
<p>32.1 HIGH-POWER CLUTCH STAND ASSY</p>	<p>33.0 GENERATOR</p>	<p>34.0 STARTING MOTOR</p>

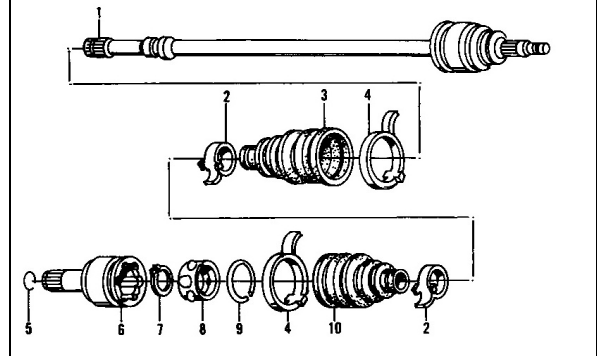
35.0 ENGINE



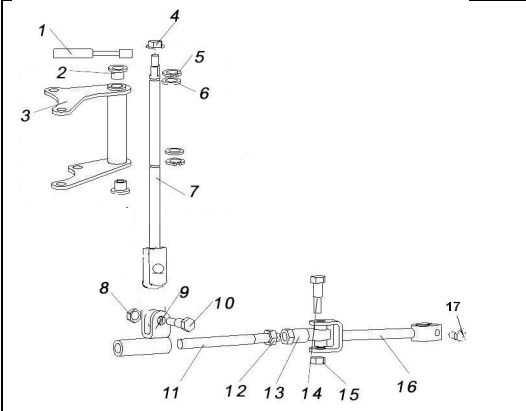
36.0 FRONT GEAR-BOX (FOR 4WD)



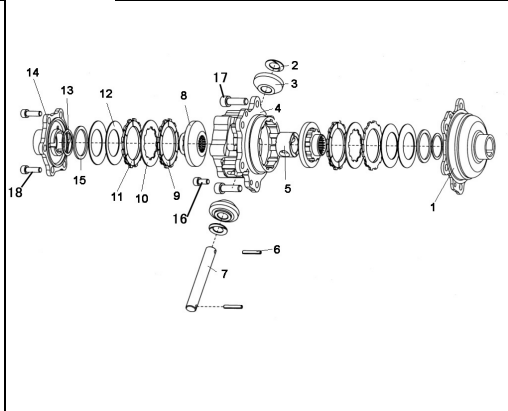
37.0 FRONT DRIVE AXLE (FOR 4WD)



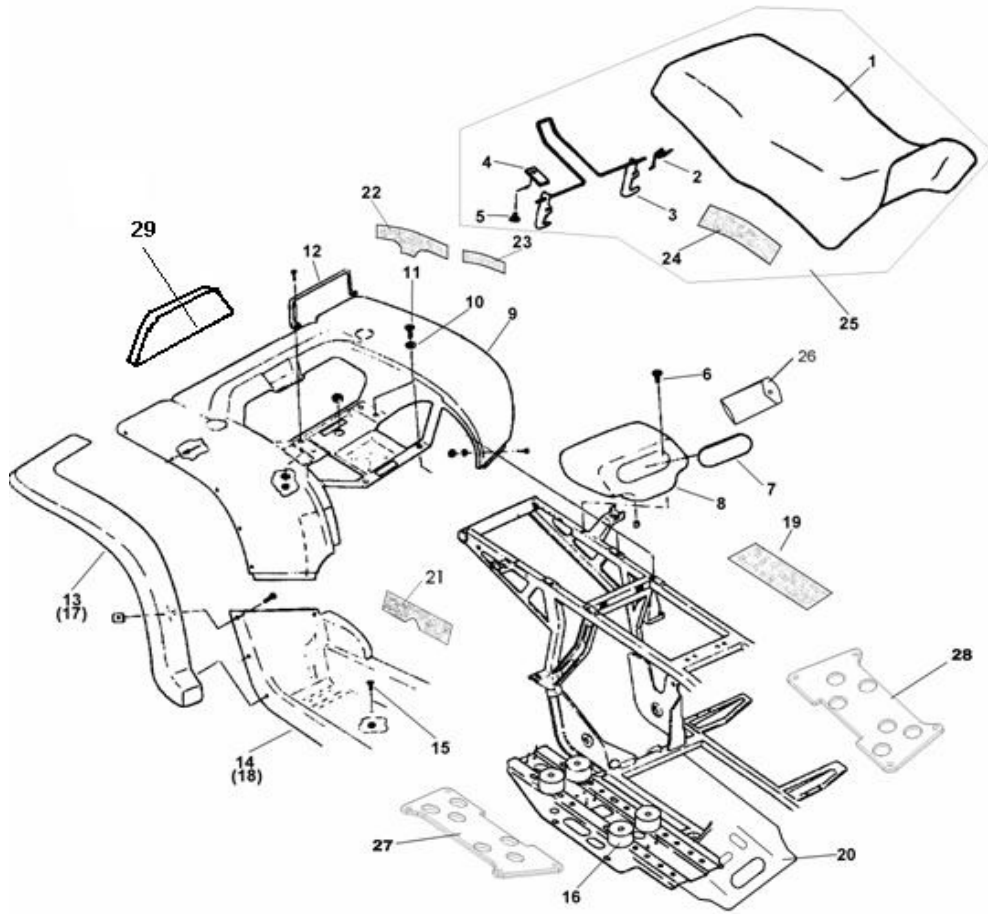
38.0 4WD AND 2WD SHIFT LEVER ASSY(FOR 4V



39.0 REAR END (FOR 4WD)

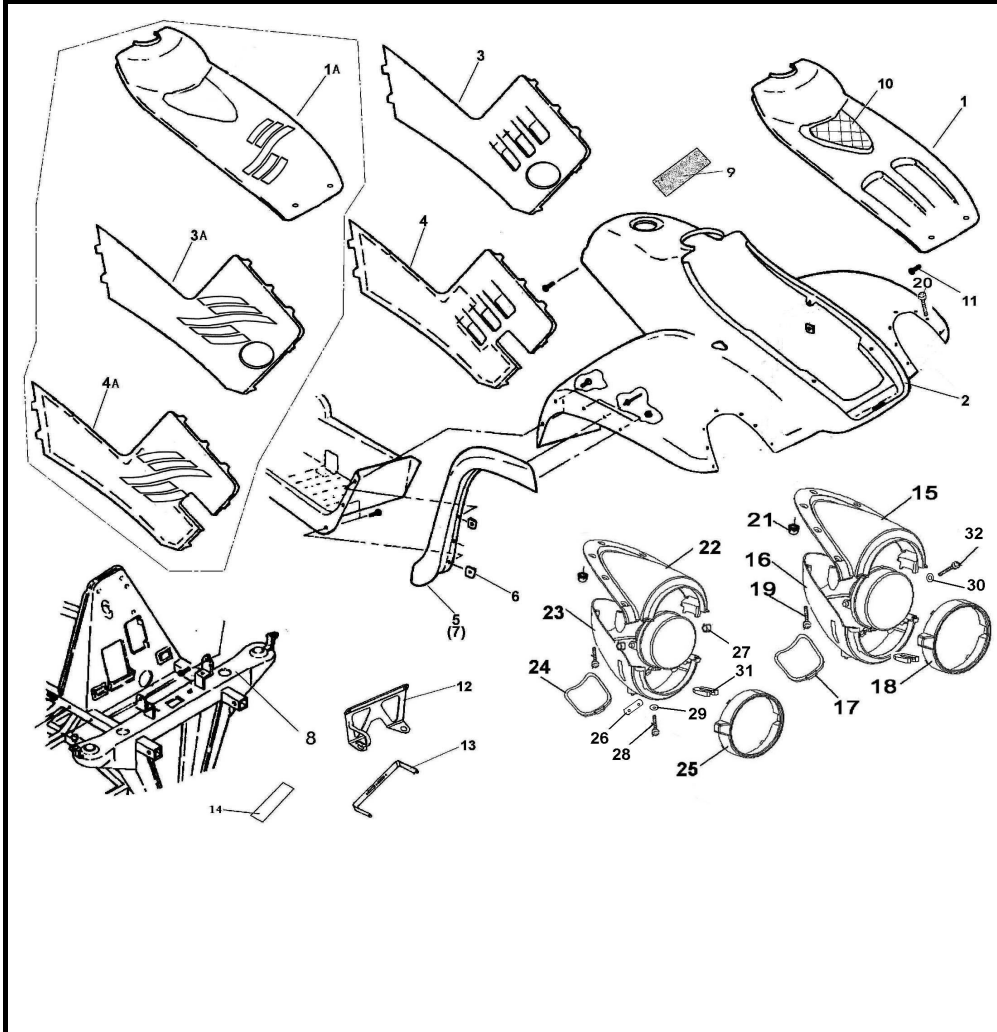


3.0 REAR FENDERS



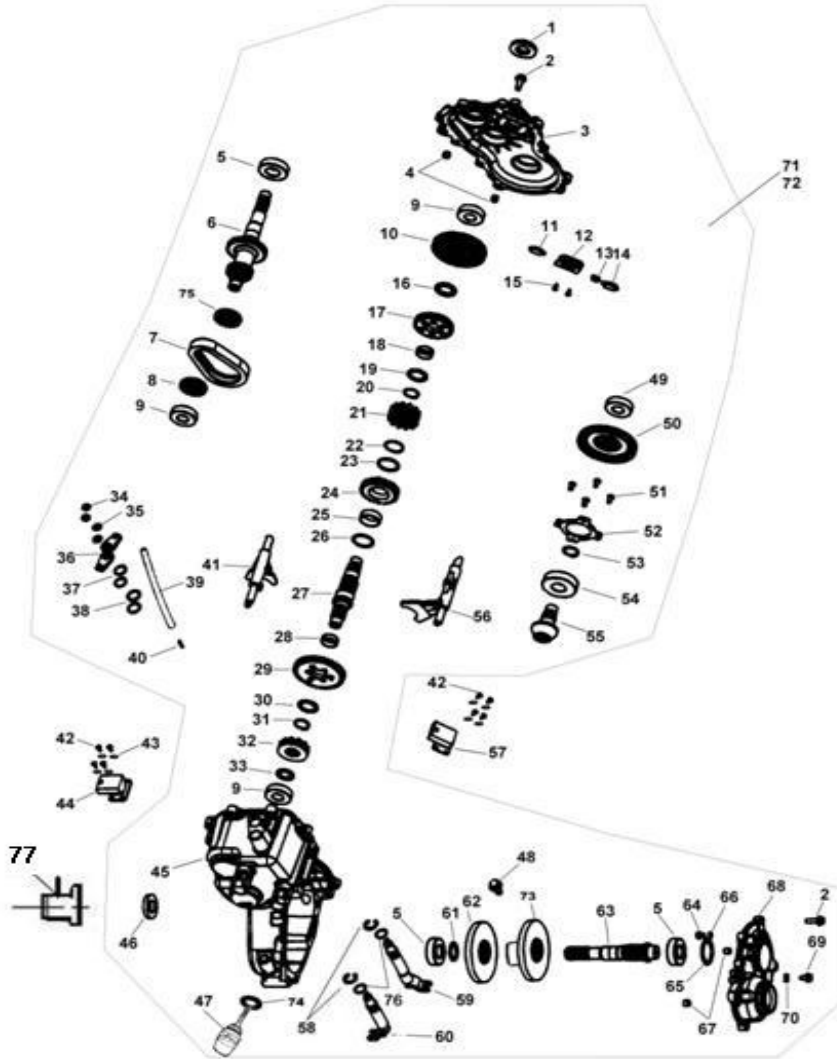
REF. No.	MANCO NO.	DESCRIPTION	Q'TY
1	82636	SEAT	1
2	82268	SPRING	1
3	82269	LATCH ASSEMBLY	1
4	82270	RETAINER CLIP	2
5	82271	SCREW ST4.8X16	4
6	82272	BOLT M6X15	2
7	82273	STORAGE BOX COVER	1
8	82274	STORAGE BOX	1
8a	82275-40	REAR FENDERS(SI)	1
8b	82275-46	REAR FENDERS(GN)	1
8c	82275-37	REAR FENDERS(RE)	1
8d	83005	REAR FENDERS(GN)(07)	1
10	82630	WASHER 6	4
11	82272	BOLT M6X15	42
12	82276	LATCH BRACKET	1
13	82764	REAR MUD GUARD RIGHT	1
14	82765	FOOTREST RIGHT (FOR 04)	1
	83171	FOOTREST RIGHT(FOR 05)	1
15	82279	BOLT M6X20	14
16	82280	RUBBER PAD	14
17	82766	REAR MUD GUARD LEFT	1
18	82767	FOOTREST LEFT	1
19	82631	BATTERY MOUNTING PAD	3
20	82606	PLASTIC PLATE	1
21	82632	FOOTREST RIGHT ADIABATIC PELLICLE	1
22	82633	REAR MUD ADIABATIC PELLICLE A	2
23	82634	REAR MUD ADIABATIC PELLICLE B	2
25	82636	SEAT ASSY	1
26	82605	TOOL	1
27	82820	FOOTBOARD SUPPORT-RIGHT	1
28	82934	FOOTBOARD SUPPORT-LEFT	1
29	83005	REAR COVER(07)	1

4.1 FRONT BODY&FRAME (FOR 05)



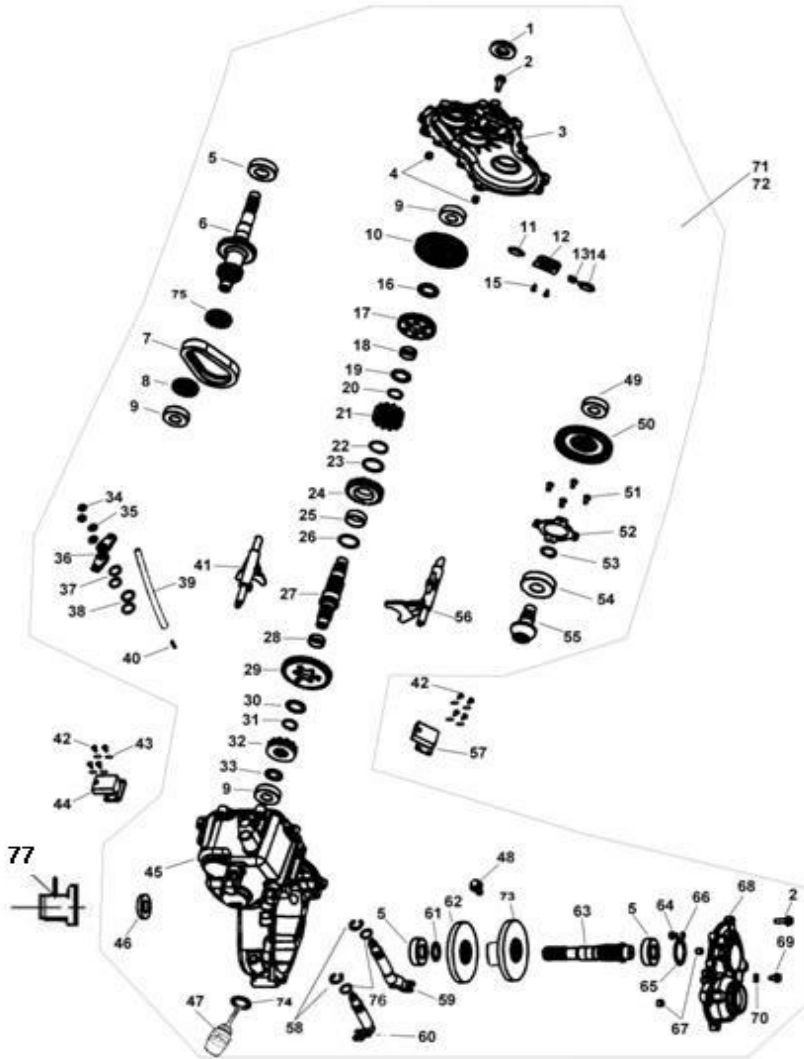
REF. No.	MANCO NO.	DESCRIPTION	Q'TY
1	82768	FRONT COVER	1
2	82959	FRONT BODY	1
3	82769	SIDE COVER LEFT	1
4	82770	SIDE COVER RIGHT	1
5	82771	MUD GUARD RIGHT	1
6	82239	NUT M6	40
7	82772	MUD GUARD LEFT	1
9	82637	FRONT BODY FOAM	1
10	82638	SMALL FRONT COVER	1
11	82271	SCREW ST4.8X16	2
12	83172	UP BRACKET RADIATOR	1
13	83173	DOWN BRACKET RADIATOR	1
14	82792	SPACER RUBBER	1
15	83188	LEFT HEADLIGHT COVER UPPER - ASSM ONLY	1
16	83189	LEFT HEADLIGHT COVER DOWN - ASSM ONLY	1
17	83190	LEFT HEADLIGHT COVER - ASSM ONLY	1
18	82937	HEADLIGHT COVER - ASSM ONLY	1
19	82937	SCREW ST4.2X13 - ASSM ONLY	12
20	82937	BOLT - ASSM ONLY	12
21	82937	NUT M6	12
22	83191	RIGHT HEADLIGHT COVER UPPER - ASSY ONLY	1
23	82937	RIGHT HEADLIGHT COVER DOWN - ASSY ONLY	1
24	82937	RIGHT HEADLIGHT COVER - ASSY ONLY	1
25	82937	HEADLIGHT COVER - ASSY ONLY	1
26	82937	CUSHION 1 - ASSY ONLY	2
27	82937	CUSHION 2 - ASSM ONLY	4
28	82937	SCREW M5X30 - ASSM ONLY	2
29	82937	WASHER 5 - ASSM ONLY	2
30	82937	WASHER 4 - ASSM ONLY	2
31	82937	CUSHION 3 - ASSM ONLY	2
32	82937	SCREW ST3.5X13 - ASSM ONLY	2

11.0 TRANSMISSION



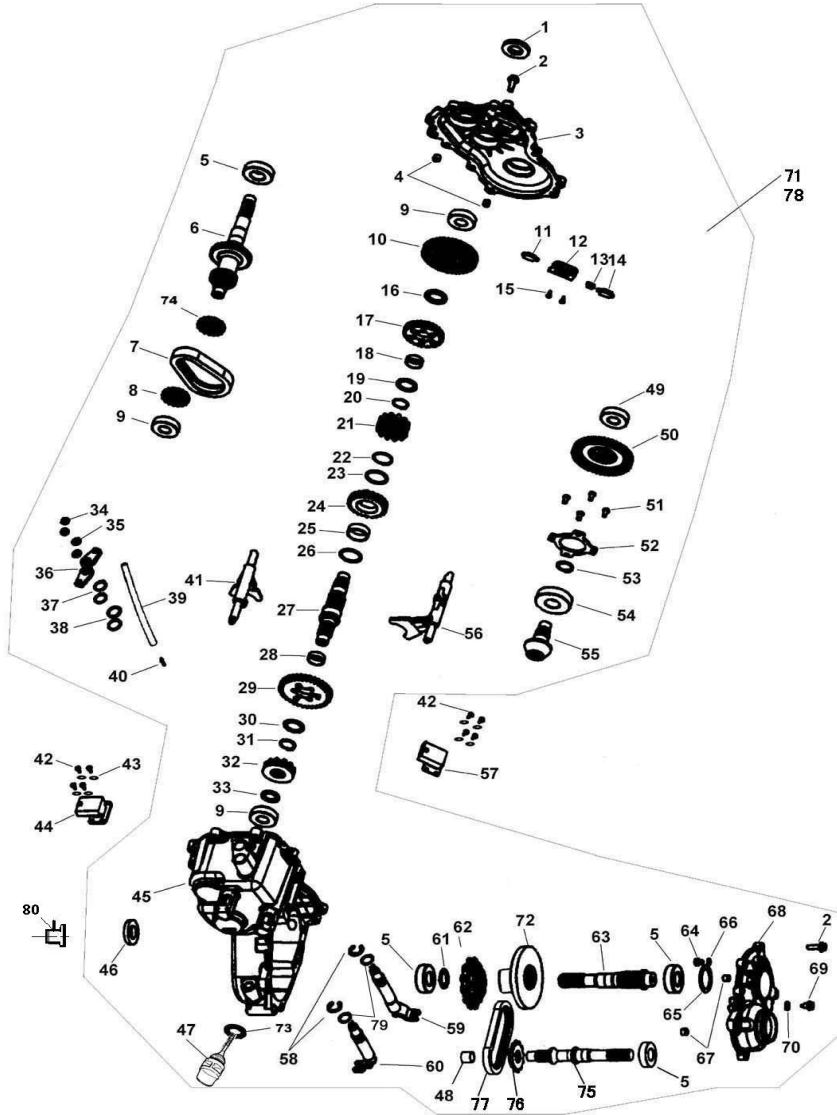
REF. No.	MANCO NO.	DESCRIPTION	Q'TY
1	82399	SEAL 25X47X8	1
2	82396	BOLT M8X28	17
3	82401	MAIN COVER	1
3a	83014	MAIN COVER(USE WITH HIGH-POWER CLUTCH)	1
4	82377	DOWEL PIN	2
5	82403	BEARING 6205c3	3
6	82404	INPUT SHAFT	1
6a	83015	INPUT SHAFT(USE WITH HIGH-POWER CLUTCH)	1
7	82405	CHAIN	1
8	82406	GEAR 16T	1
9	82407	BEARING 6204	3
10	82408	GEAR,HELICAL 35T	1
11	82409	INTERLOCK PIN	2
12	82410	INTERLOCK BRACKET	1
13	82411	SPRING	1
14	82409	INTERLOCK PIN	1
15	82125	SCREW M5X12	2
16	82414	SPACER	1
17	82415	GEAR 31T	1
18	82416	NEEDLE BEARING 25	1
19	82417	THRUST WASHER	1
20	82418	SNAP RING	1
21	82419	DOG GEAR	1
22	82420	SNAP RING	1
23	82421	THRUST WASHER	1
24	82422	SPROCKET 24T	1
25	82651	NEEDLE BEARING 25	1
26	82421	THRUST WASHER	1
27	82424	SHAFT	1
28	82416	NEEDLE BEARING 25	1
29	82426	GEAR 35T	1
30	82421	THRUST WASHER	1
31	82418	SNAP RING	1
32	82429	ENGAGEMENT	1
33	82574	THRST WASHER	1
34	82652	NUT M8	2
35	82431	WASHER	2

11.1 TRANSMISSION (2wd)



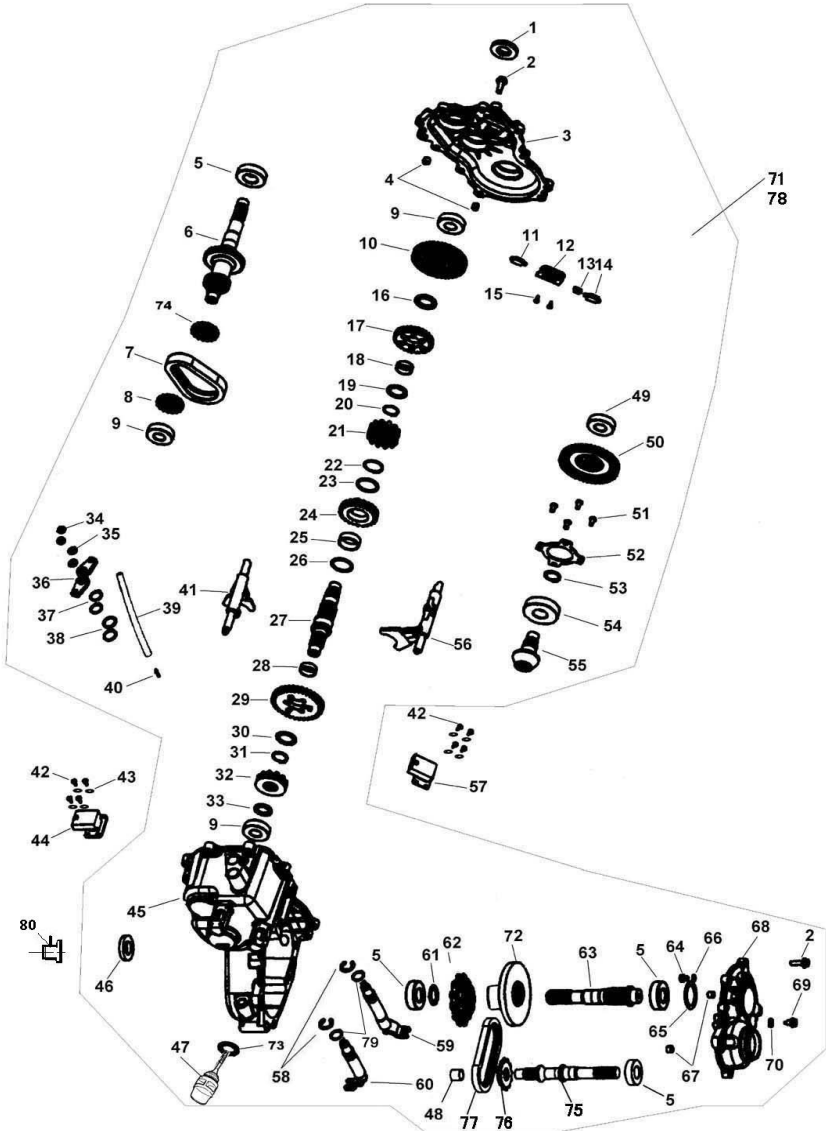
REF. No.	MANCO NO.	DESCRIPTION	Q'TY
36	82432	BELLCRANK	2
37	82575	SNAP RING	2
38	82576	WASHER	2
39	82433	VENT TUBE	1
40	82434	VENT TUBE FITTING	1
41	82435	SHIFT FORK HIGH/REVERSE	1
42	82257	SCREW M4	8
43	82258	WASHER 4	8
44	82436	GEAR INDICATOR SWITCH	1
45	82437	GEARCASE,RH	1
45a	83016	GEARCASE,RH(USE WITH LCD)	1
46	82399	SEAL 25X47X8	1
47	82205	DIPSTICK	1
49	82440	BEARING 6204C3	1
50	82441	GEAR HELICAL 46T	1
51	82442	SCREW M6X10	4
52	82443	BEARING RETAINER PLATE	1
53	82444	SNAP RING	1
54	82445	BEARING 6305ST	1
55	82446	PINION SHAFT 10T	1
56	82447	SHIFT FORK LOW	1
57	82448	GEAR INDICATOR SWITCH	1
58	82449	SNAP RING	2
59	82450	SHIFT ROD LOW	1
60	82451	SHIFT ROD HIGH/REVERSE	1
61	82452	THRUST WASHER	1
62	82453	GEAR	1
63	82454	SHAFT REAR OUTPUT	1
63a	83022	SHAFT REAR OUTPUTA(USE WITH LCD)	1
64	82455	THRUST BUTTON	1
65	82456	SHIM 1	1
66	82457	SHIM 2	1
67		DOWEL PIN	1
68	82459	COVER	1
69	82460	DRAIN SCREW	1
70	82461	WASHER	1
71	82791	TRANSMISSION ASSY	1

11.3 TRANSMISSION (FOR 4WD)



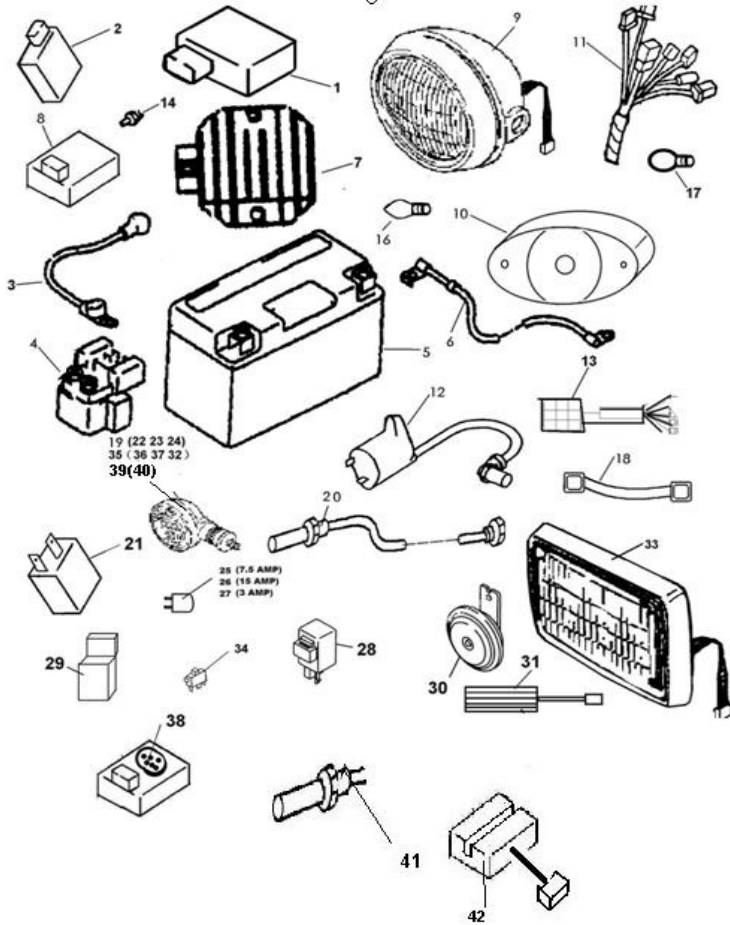
REF. No.	MANCO NO.	DESCRIPTION	Q'TY
1	82399	SEAL 25X47X8	1
2	82396	BOLT M8X28	17
3	82401	MAIN COVER	1
3a	83014	MAIN COVER(USE WITH HIGH-POWER CLUTCH)	1
4	82377	DOWEL PIN	2
5	82403	BEARING 6205c3	4
6	82404	INPUT SHAFT	1
6a	83015	INPUT SHAFT(USE WITH HIGH-POWER CLUTCH)	1
7	82405	CHAIN	1
8	82406	GEAR 16T	1
9	82407	BEARING 6204	3
10	82408	GEAR,HELICAL 35T	1
11	82409	INTERLOCK PIN	2
12	82410	INTERLOCK BRACKET	1
13	82411	SPRING	1
14	82409	INTERLOCK PIN	1
15	82125	SCREW M5X12	2
16	82414	SPACER	1
17	82415	GEAR 31T	1
18	82416	NEEDLE BEARING 25	1
19	82417	THRUST WASHER	1
20	82418	SNAP RING	1
21	82419	DOG GEAR	1
22	82420	SNAP RING	1
23	82421	THRUST WASHER	1
24	82422	SPROCKET 24T	1
25	82651	NEEDLE BEARING 25	1
26	82421	THRUST WASHER	1
27	82424	SHAFT	1
28	82416	NEEDLE BEARING 25	1
29	82426	GEAR 35T	1
30	82421	THRUST WASHER	1
31	82418	SNAP RING	1
32	82429	ENGAGEMENT	1
33	82574	THRST WASHER	1
34	82652	NUT M8	2
35	82431	WASHER 8	2
36	82432	BELLCRANK	2

11.4 TRANSMISSION (FOR 4WD)



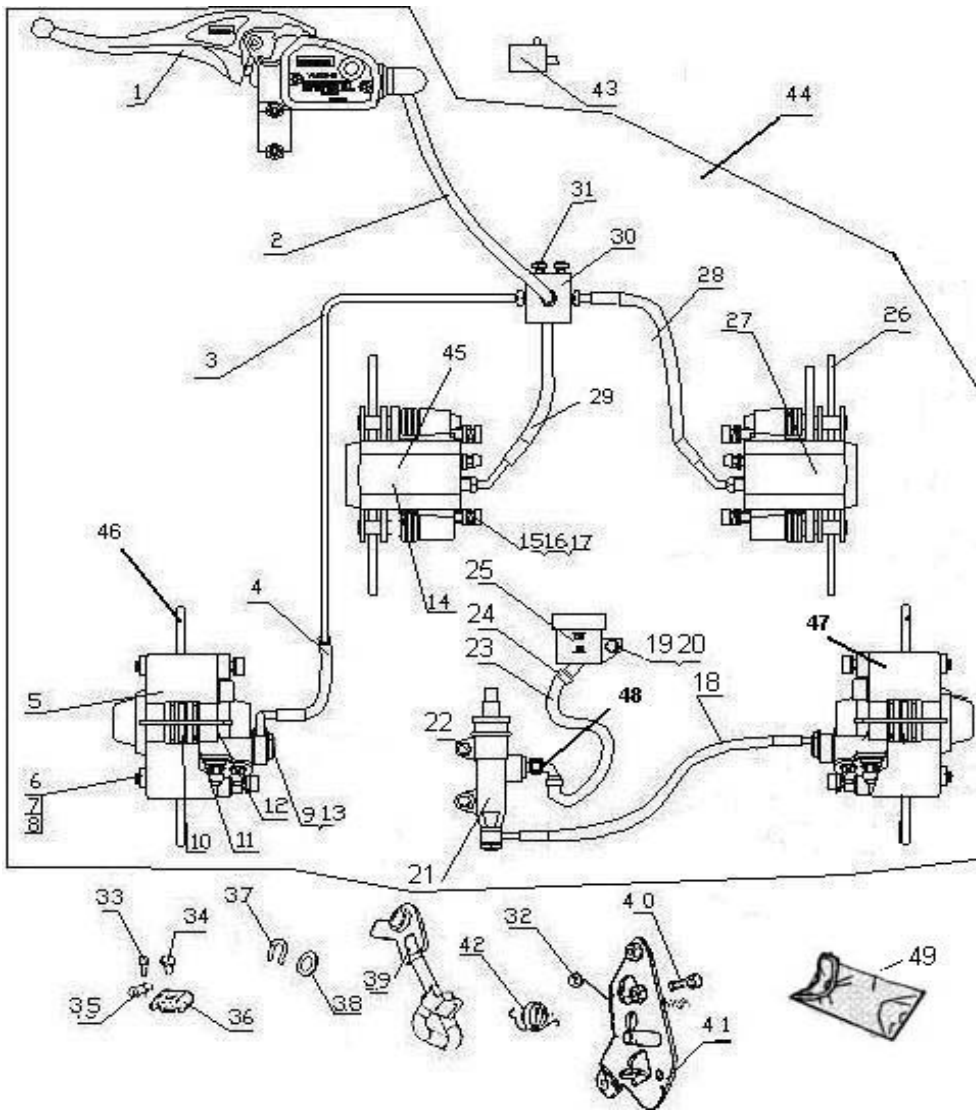
REF. No.	MANCO NO.	DESCRIPTION	Q'TY
37	82575	SNAP RING	2
38	82576	WASHER	2
39	82433	VENT TUBE	1
40	82434	VENT TUBE FITTING	1
41	82435	SHIFT FORK HIGH/REVERSE	1
42	82257	SCREW M4	8
43	82258	WASHER 4	8
44	82436	GEAR INDICATOR SWITCH	1
45	82437	GEARCASE,RH	1
45a	83016	GEARCASE,RH(USE WITH LCD)	1
46	82399	SEAL 25X47X8	1
47	82205	DIPSTICK	1
48	82829	BUSHING	1
49	82440	BEARING 6204C3	1
50	82441	GEAR HELICAL 46T	1
51	82442	SCREW M6X10	4
52	82443	BEARING RETAINER PLATE	1
53	82444	SNAP RING	1
54	82445	BEARING 6305ST	1
55	82446	PINION SHAFT 10T	1
56	82447	SHIFT FORK LOW	1
57	82448	GEAR INDICATOR SWITCH	1
58	82449	SNAP RING	2
59	82450	SHIFT ROD LOW	1
60	82451	SHIFT ROD HIGH/REVERSE	1
61	82452	THRUST WASHER	1
62	82830	SPORCKET 12T	1
63	82454	SHAFT REAR OUTPUT	1
63a	83022	SHAFT REAR OUTPUTA(USE WITH LCD)	1
64	82455	THRUST BUTTON	1
65	82456	SHIM 1	1
66	82457	SHIM 2	1
67	82787	DOWEL PIN	1
68	82831	COVER	1
69	82460	DRAIN SCREW	1
70	82461	WASHER	1
71	82832	TRANSMISSION ASSY	1
72	82453	GEAR	1
73	82206	O RING 18X2.65	1

16.0 ELECTRICAL SYSTEM



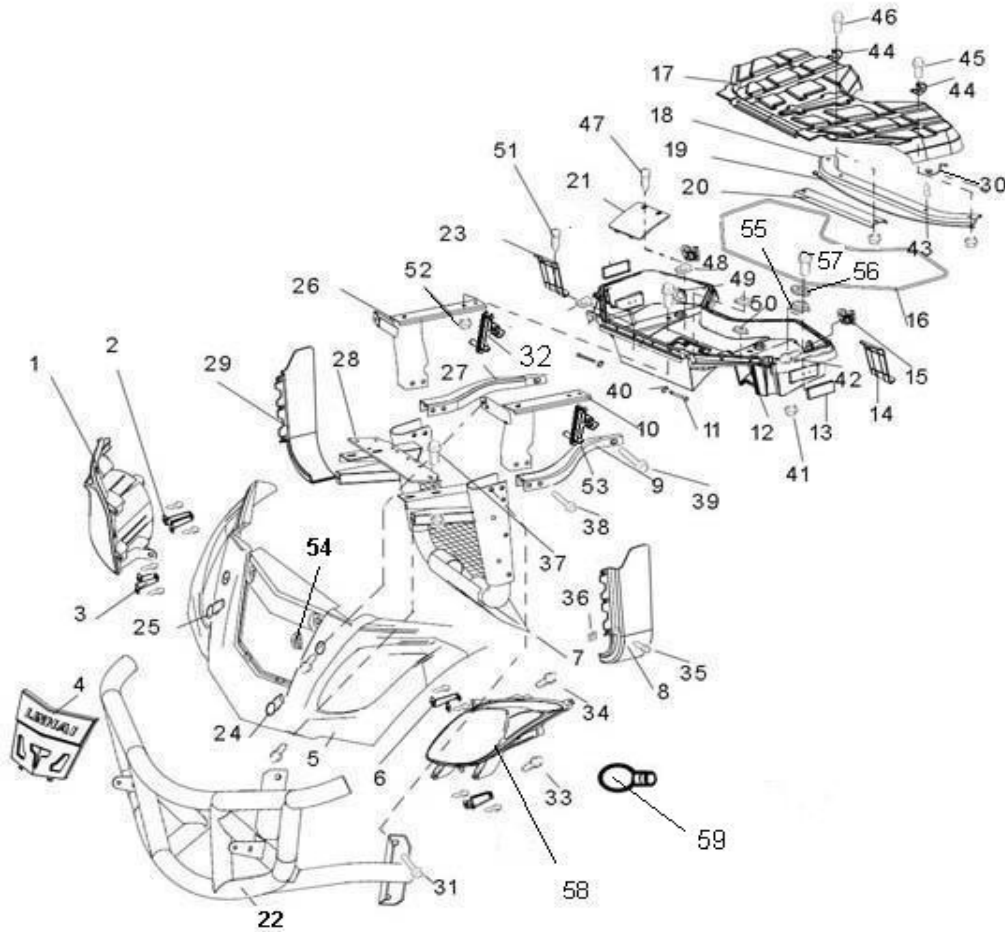
REF. No.	MANCO NO.	DESCRIPTION	Q'TY
1	82697	CDI	1
2	82527	REVERSE SPEED LIMITER (FOR MECHANICAL METER)	1
2a	83024	REVERSE SPEED LIMITER (FOR LCD)	1
3	82528	BATTERY CABLE POSITIVE	1
4	82529	STARTER RELAY	1
5	82530	BATTERY	1
6	82531	BATTERY CABLE GROUND	1
7	82532	REGULATOR RECTIFIER	1
8	82533	WARNING BUZZER (FOR MECHANICAL METER)	1
9	82937	HEADLIGHT ASSEMBLY RIGHT(ROUND)	1
10	82535	TAIL LIGHT	1
10a	83025	TAIL LIGHT(FOR 07)	1
11a	82839	WIRING HARNESS (FOR 05 AND SPORT 4WD)	1
11b	82536	WIRING HARNESS (FOR 04 2WD)	1
11c	82781	WIRING HARNESS (FOR 04 4WD)	1
11d	83178	WIRING HARNESS (FOR 07 AND LCD)	1
11e	83026	WIRING HARNESS (FOR 07 AND MECHANICAL METER)	1
12	82537	IGNITON COIL AND WIRE	1
13	82965	INDIATOR LIGHT WIRING HARNESS	1
14	82539	ENGINE TEMPERTURE SENSOR	1
16	82586	HEAD LIGHT BULB ONLY	2
17	82587	TAIL LIGHT BULB ONLY	1
18	82596	BATTERY BELL	1
20	83179	GEAR SENSOR(for 05 and before model)	1
21	82982	CAPCITOR	1
25	82621	7.5 AMP FUSE	1
26	82664	15 AMP FUSE	2
27	82754	3 AMP FUSE	1
28	82965	FLASHER RELAY ASSY	1
29	82840	FUSE BOX	1
30	82981	HORN	1
31	82804	FREEZE PROOF DEVICE	1
33	82534	HEADLIGHT ASSEMBLY (SQUARE)	2

17.0 BRAKING SYSTEM



REF. No.	MANCO NO.	DESCRIPTION	Q'TY
1	82240	MASTER CYLINDER WITH BRAKE LEVER	1
2	82560	HAND BRAKE HOSE	1
3	82665	REAR BRAKE HOSE	1
4	82782	REAR HAND BRAKE HOSE	1
5	82806	BRAKE CALIPER LEFT REAR	2
6	82841	BOLT M10X1.25X83	4
7	82297	WASHER 10	4
8	82290	NUT M10X1.25	4
9	82544	WASHER	8
10	82666	SPACER	2
11	82543	REAR BRAKE PADS, SET OF	2
12	82667	RETAINING PIN	2
13	82547	BANJO BOLTS	4
14	82506	BRAKE CALIPER LEFT FRONT	1
15	82668	BOLT M8X25	4
16	82669	WASHER 8	4
17	82431	WASHER 8	4
18	82783	FOOT BRAKE HOSE	1
19	82670	BOLT M5X12	1
20	82671	NUTM5	1
21	82673	DONKEY PUMP	1
22	82550	BOLT M6X20	2
23	82553	BRAKE HOSE	1
24	82552	CLAMP	2
25	82551	RESERVOIR	1
26	82331	FRONT BRAKE DISC	2
27	82510	BRAKE CALIPER RIGHT FRONT	1
28	82561	FRONT BRAKE HOSE 1	1
29	82564	FRONT BRAKE HOSE 2	1
30	82562	BRAKE LINE COUPLER	1
31	82563	SCREW M5X15	2
32	82239	NUT M6	2
33	82672	BOLT M5X8	1
34	82672	BOLT M5X8	6
35	82548	BRAKE LINE CLAMP SMALL	1
36	82549	BRAKE LINE CLAMP LARGE	3
37	82559	RETAINER	1
38	82558	WASHER	1
39	82784	BRAKE PEDAL	1

18.2 BUMPER & RACK



REF. No.	MANCO NO.	DESCRIPTION	Q'TY
1	83029	RIGHT HEADLIGHT	1
2	83030	HEADLIGHT BRACKET 3	2
3	83031	HEADLIGHT BRACKET 1	1
4	83032	FRONT COVER	1
5	83033	PLASTIC BUMPER	1
6	83034	HEADLIGHT BRACKET 2	1
7	83035	BUMPER DOWN BRACKET	1
8	83036	RADIATOR LEFT COVER	1
9	83037	LEFT BRACKET 1	1
10	83038	LEFT BRACKET 2	1
11	83039	AXLE	2
12	83040	BOX	1
13	83041	FRONT REFLECTOR	2
14	83042	HEADLIGHT ADJUSTMENT COVER(LEFT)	1
15	83043	BOX LOCK	1
16	83044	SEAL	1
17	83045	BOX COVER	1
18	83046	BOX COVER BRACKET 1	1
19	83047	BOX COVER LINE	1
20	83048	BOX COVER BRACKET 2	1
21	83049	SERVICE COVER	1
22	83050	FRONT BUMPER	1
23	83051	HEADLIGHT ADJUSTMENT COVER(RIGHT)	1
24	83052	LEFT COVER	1
25	83053	RIGHT COVER	1
26	83054	RIGHT BRACKET 2	1
27	83055	RIGHT BRACKET 1	1
29	83057	RADIATOR RIGHT COVER	1
30	83058	LOCK HOOK	1
31	83059	BOLT M8X20	4
32	83060	TRESTLE 2 RIGHT	1
33	82888	BOLT M6X16	4
34	82550	BOLT M6X20	2
35	82271	SCREW ST4.8X16	6
36	83064	SCREW .TAPPING	6
37	82550	BOLT M6X20	4
38	83066	BOLT M8X66	4
39	82568	BOLT M8X95	2

