

Operator's Manual SUPPLEMENT

Model No.
906C-4X

⚠ WARNING:

Read Engine Owner's Manual, Vehicle Operator's Manual, and Supplement Carefully Before Operating Vehicle.

Parts List



ORDERING PARTS

FAST & EASY!

- 1) Seek Part(s) from your models illustrated diagram, cross over REF# to PART#
- 2) Type PART# into sites [Search Box] at GoKartsRus.com TIP! - RIGHT CLICK LINK, SELECT OPEN IN NEW TAB
- 3) Add all needed parts to Shopping Cart | Complete "Checkout" | ✓ Done!

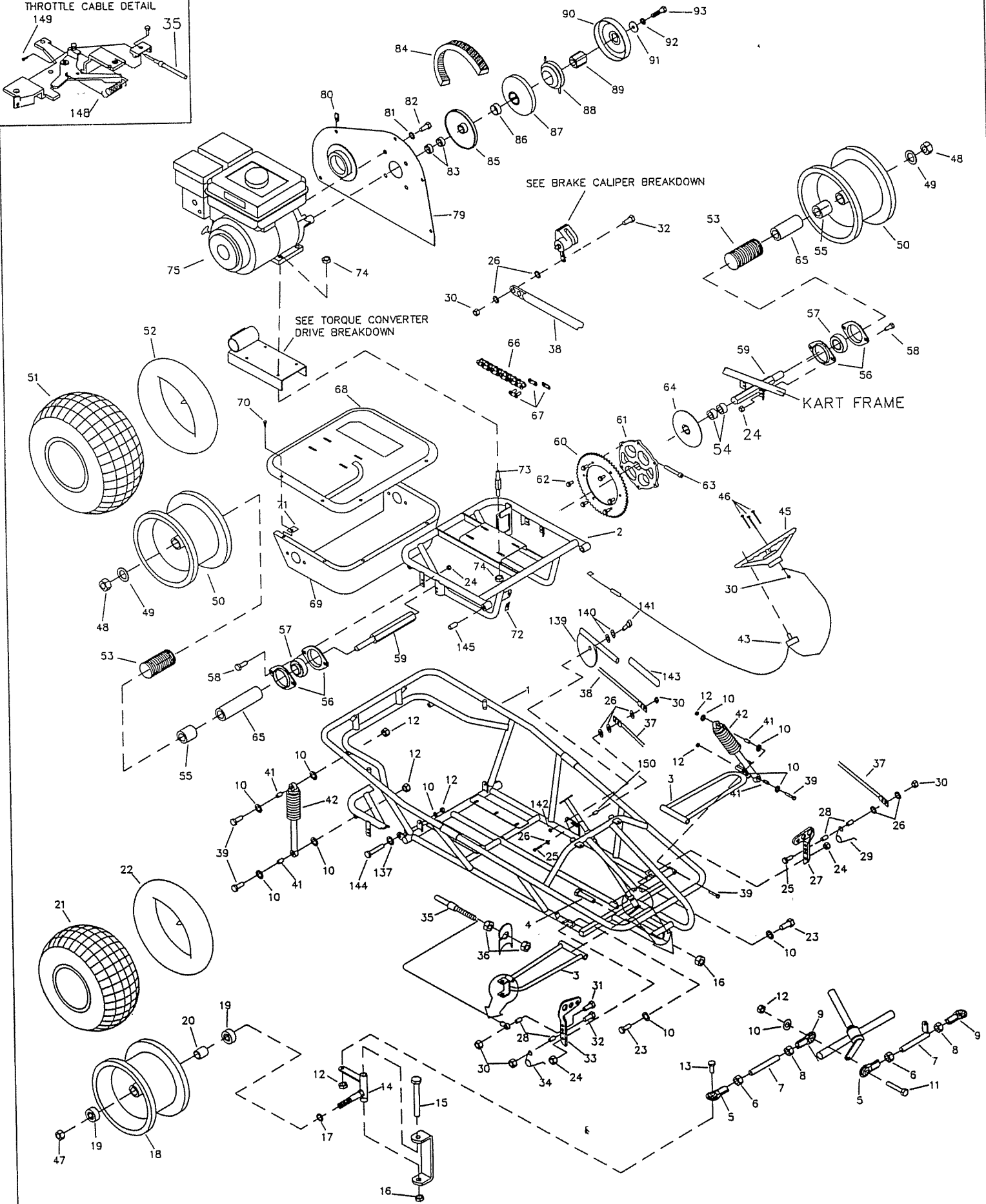
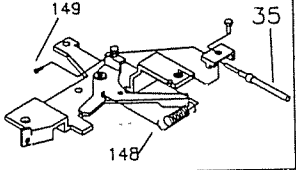
If a part does not come up in a Site Search, please [Contact Us](#) (include part# in email)

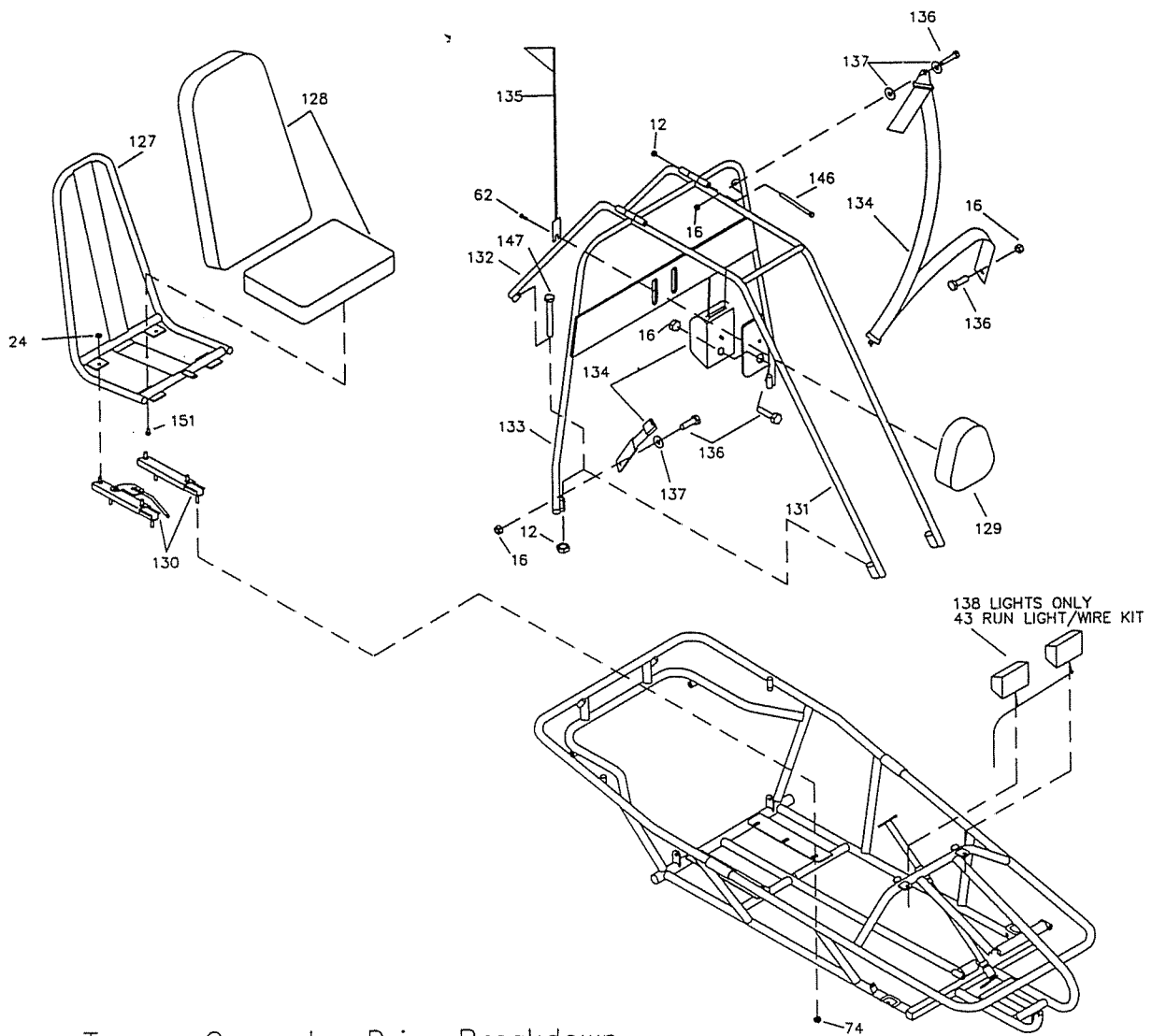
LOWEST PRICES!

THIS VEHICLE IS FOR OFF-ROAD USE ONLY

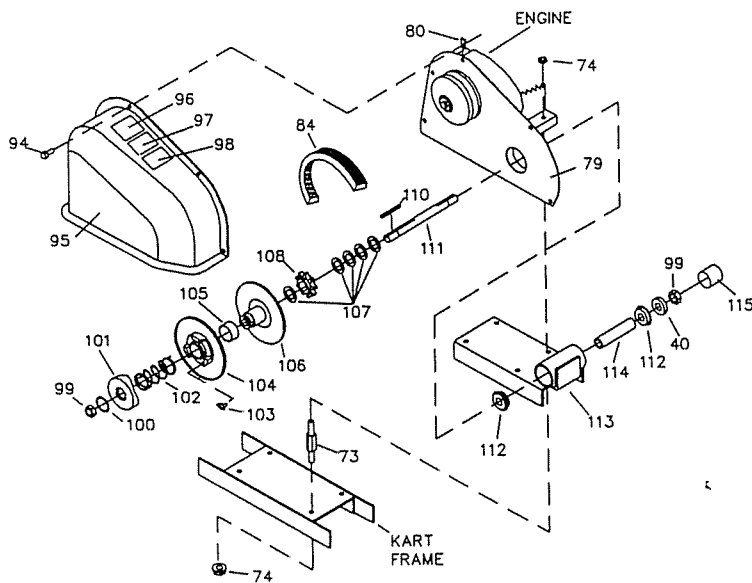
BEFORE OPERATING THIS VEHICLE, THE OWNER AND/OR OPERATOR MUST UNDERSTAND THE VEHICLE WAS NOT DESIGNED OR MANUFACTURED TO MEET SPECIFICATIONS FOR USE ON STREETS, HIGHWAYS, OR THOROUGHFARES AND HAVE READ AND HAVE AN UNDERSTANDING OF ALL THE INSTRUCTIONS FOR SAFE ASSEMBLY AND OPERATION AS WELL AS THE INSTRUCTIONS GOVERNING THE ENGINE AND OTHER PORTIONS OF THE VEHICLE.

THROTTLE CABLE DETAIL

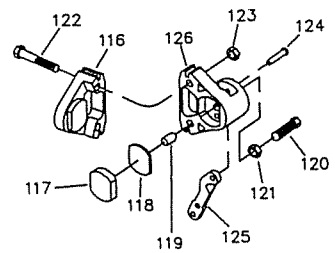




Torque Converter Drive Breakdown



Brake Caliper Breakdown



Orientation of lever and hardware may vary.

PARTS LIST
MODEL 906C-XX

| REF NO | PART NO | DESCRIPTION | REF NO | PART NO | DESCRIPTION |
|--------|----------|----------------------------------|--------|-----------|---------------------------------|
| 1 | 12453-5 | FRAME RED (906C-47) | 50 | 10381 | WHEEL ASM 8" KNOBBY |
| | 12453-20 | FRAME YELLOW (906C-4) | 51 | 3548 | TIRE 18/9.50-8" KNOBBY |
| 2 | 12386 | DRIVE CHASSIS | 52 | 1430 | TUBE 8" (REPAIR PART ONLY) |
| 3 | 11746-2Z | SWING ARM | 53 | G0631 | LOOM 6.312 L 1.625 ID |
| 4 | 10834 | BOLT 1/2-13X7 HHCS G5 | 54 | 2265-16 | SPACER 1.000ID 12G .750L ZINC |
| ASM | 5431 | TIE ROD ASM (INCL 5-9) | 55 | 5222-16 | SPACER 1.0IDX1.250DX1.250L ZINC |
| 5 | 1414 | ROD END, RH THREAD | 56 | 6617 | BRG FLNG-HEAVY DICHRIMATE |
| 6 | 9092 | NUT 3/8-24 JAM RH | 57 | 3941H | BEARING HEX |
| 7 | 5430 | TIE ROD 13.25" | 58 | 9176 | BOLT 5/16-18 X 1.000 HHCS G5 Z |
| 8 | 9024 | NUT 3/8-24 JAM LH | 59 | 11797H-16 | AXLE HEX WDMT DICHRIMATE |
| 9 | 1415 | ROD END, LH THREAD | ASM | 6420H | SPROCKET ASM (INCL 60-63) |
| 10 | 9091 | WASHER FLAT 3/8 SAE N | 60 | 6282 | SPROCKET LA 420P 54T |
| 11 | 9145 | BOLT 3/8-16 X 1.750 HHCS G5 | 61 | 6280H | SPROCKET HUB HEX |
| 12 | 9085 | NUT 3/8-16 TL HEX Z | 62 | 9006 | BOLT 1/4-20 X .750 HH WF Z |
| 13 | 9146 | BOLT 3/8-16 X 1.500 HHCS G5 | 63 | 6701 | BOLT 5/16-18 X 1.250 SHCS |
| 14 | 11742-2Z | SPINDLE RIGHT | 64 | 9511H | BRAKE DISC 6 HEX |
| NI | 11741-2Z | SPINDLE LEFT | 65 | 6783-16 | SPACER 1.0ID 12G 4.125 |
| 15 | 1264 | BOLT 1/2-13 X 3.750 HHCS G2 | 66 | 9514 | CHAIN 420 X 62P (INCL 67) |
| 16 | 1012 | NUT 1/2-13 TL HEX Z | 67 | 2037 | MASTERLINK #420 |
| 17 | 5157-16 | SPACER 5/8 ID X 13GA X .750 | 68 | 12456 | REAR COVER TOP |
| 18 | 12490 | WHEEL ASM 6" (INCL 19-21) | 69 | 12259 | REAR COVER BOTTOM |
| 19 | 5090 | BEARING 5/8 ID W/SNAP RING | 70 | 1876 | BOLT 1/4-20 X .625 HH WF Z |
| 20 | 5950 | SPANNER 5/8 ID X 2-1/8 | 71 | 11824 | NUT TINNERMAN 2372-04 |
| 21 | 4915C | TIRE 145/70 X 6 KNOBBY | 72 | 2449 | NUT TINNERMAN C7343-1420-4 |
| 22 | 3802 | TUBE 6" (REPAIR PART ONLY) | 73 | 1356 | STUD ASM |
| 23 | 1447 | BOLT 5/16-18X11/16 SHOULDER | 74 | 1263 | NUT 5/16-18 HEX WF Z |
| 24 | 1189 | NUT 5/16-18 HEX TL Z | 75 | 12250 | ENGINE 6HP W/ LIGHTING COIL |
| 25 | 1849 | BOLT 1/4-20 X 1.500 HHCS G5 Z | NI | 11330 | DECAL WARNING HOT SURFACES |
| 26 | 1854 | WASHER #14 FLAT MS Z | NI | 11330 | DECAL ENGINE EXHAUST IS BAD |
| 27 | 6293-16 | PEDAL BRAKE | NI | 11330 | DECAL SHIPPED W/O OIL |
| 28 | 1389 | BUSHING .25ID X .031G X .313 | 79 | 11775-2 | COVER PLATE TC |
| 29 | 9503 | SPRING PEDAL RIGHT WOUND | NI | 8231 | COVER PLATE EXTENSION |
| 30 | 9057 | NUT 1/4-20 TL Z | NI | 8258 | RIVET AL/AL .25GRIP .125DIA |
| 31 | 9160 | BOLT 1/4-20 X .875 HHCS NL G5 Z | 80 | 8227 | NUT 1/4-20 CLIP |
| 32 | 1847 | BOLT 1/4-20 X 1.000 HHCS G5 Z | 81 | 9060 | WASHER 5/16 TYPE A PLAIN SAE N |
| 33 | 6309-16 | PEDAL THROTTLE | 82 | 9101 | BOLT 5/16-24 X .500 HHCS G5 |
| 34 | 9502 | SPRING PEDAL LEFT WOUND | 83 | 1938 | SPACER .75ID 11GA .375 ZI |
| 35 | 8251 | THROTTLE CABLE 74.5 IN (INCL 36) | 84 | 5959 | BELT 30S 203589 27.4 OC |
| 36 | 9058 | NUT 5/16-24 JAM | ASM | 5957 | DRIVER PULLEY 30S (INCL 85-90) |
| 37 | 8715-2 | BRAKE ROD FRONT | 85 | ** | STATIONARY SHEAVE |
| 38 | 8215-2 | BRAKE ROD REAR | 86 | 200349 | BUSHING |
| 39 | 9190 | BOLT 3/8-16 X 3.25 HHCS G5 Z | 87 | ** | MOVEABLE SHEAVE |
| 40 | 1469 | WASHER .625ID 1.062OD .062THK Z | 88 | ** | SHOE ASSEMBLY |
| 41 | 6634 | SHOCK BUSHING | 89 | ** | HUB |
| 42 | 4561 | SHOCK ABSORBER | 90 | ** | DRUM |
| 43 | 12330 | LIGHTWIRE KIT ASM. (LONG SWITCH) | 91 | 1398 | WASHER 21/64 ID X 1 1/4 X 1/8 |
| 45 | 12496 | STEERING WHEEL | 92 | 1124 | WASHER 5/16 SL Z |
| NI | 12481 | STEERING WHEEL DEC. CAP | 93 | 8204 | BOLT 5/16-24 X 2.250 HHCS G5 YZ |
| 46 | 1865 | BOLT 1/4-20 X 1.750 HHCS G2 Z | 94 | 9006 | BOLT 1/4-20 X .500 HH WF |
| 47 | 1046 | NUT 5/8-11 TL HEX Z | 95 | 11776 | TAV COVER |
| 48 | 9162 | NUT 3/4-10 HEX TL Z | 96 | 11330 | DECAL CAUTION DRIVE COVER |
| 49 | 1194 | WASHER 3/4 SAE FLAT | 97 | 11330 | DECAL WARNING CHNGRD MUST |
| | | | 98 | 11330 | DECAL TIRE PRESS 3.6 7.0 |
| | | | 99 | 1136 | NUT 5/8-18 CL HEX JAM Z |

PARTS LIST

MODEL 906C-XX

| REF NO | PART NO | DESCRIPTION | REF NO | PART NO | DESCRIPTION |
|--------|---------|----------------------------------|--------|---------|-------------------------------|
| ASM | 5958 | DRIVEN PULLEY 30S (INCL 100-106) | 138 | 10184 | RUNNING LIGHTS |
| 100 | 2477 | RETAINING RING | 139 | 6773-2 | PARKING BRAKE HANDLE |
| 101 | ** | CAM | 140 | 6441 | WASHER, 3/8 ID SPRING |
| 102 | 6805 | SPRING | 141 | 9172 | BOLT, 3/8 X 1/4 SHOULDER |
| 103 | 6804 | BUTTON NYLON | 142 | 6440 | NUT, 5/16-18 NUT |
| 104 | ** | MOVEABLE SHEAVE | 143 | 6442 | BRAKE HANDLE COVER |
| 105 | ** | BUSHING | 144 | 12141 | BOLT SHOULDER 1/2X1.875 |
| 106 | ** | STATIONARY SHEAVE | 145 | 12140 | BUSHING BRONZE |
| 107 | 1119 | SPACER .625ID 1.062OD .125THK Z | 146 | 6452 | BOLT, 3/8-16 X 5" |
| 108 | 8720 | SPROCKET 420P 9T INTEGRAL KEY | 147 | 2386 | BOLT 3/8-16 X 3.500 HHCS G5 Z |
| 110 | 3403 | KEY 3/16SQ X 2.000 | 148 | 12348 | RETURN SPRING |
| 111 | 2777 | JACKSHAFT 5/8 X 10.812 | 149 | 12347 | SWIVEL SCREW |
| 112 | 5090 | BEARING W/ SNAP RING | 150 | 9869 | SPACER .250ID .312OD .625 BR |
| 113 | 11806-2 | CHASSIS W/LDMNT BLK | 151 | 5839 | BOLT 1/4-20 X .75 HHWFZ |
| 114 | 10342 | SPANNER 5/8ID X 14G X 5.125 | NI | 11329 | DECAL WARNING WEAR A HELMET |
| 115 | 11808 | CAP VINYL 1.5 ID 1.5LG .06 WALL | NI | 11329 | DECAL WARNING LONG HAIR |
| ASM | 9597 | BRAKE CALIPER (INCL 116-126) | NI | 11330 | DECAL NO CHILD UNDER 12 YRS |
| ASM | 9810 | BRAKE PAD SVC KIT (INCL 116-118) | NI | 11330 | DECAL NO RIDERS ALLOWED |
| 116 | ** | ANVIL W/LINING | NI | 12652 | PARTS BAG 906C-4X |
| 117 | ** | BRAKE LINING | | | |
| 118 | 3928 | BACKING PLATE | | | |
| 119 | 3930 | ACTUATOR PIN | | | |
| 120 | 3931 | ADJUSTER PIN | | | |
| 121 | 3932 | NUT JAM | | | |
| 122 | 9158 | BOLT 3/8-16 X 2.250 HHCS | | | |
| 123 | 9085 | NUT 3/8-16 TL HEX Z | | | |
| ASM | 6534 | MB-1 SERVICE KIT (INCL 124-126) | | | |
| 124 | ** | GROOVE PIN | | | |
| 125 | ** | LEVER | | | |
| 126 | ** | BRAKE HOUSING | | | |
| 127 | 10402-2 | SEAT FRAME SGL GBLK | | | |
| 128 | 11636 | SEAT BACK/BOTTOM | | | |
| 129 | 6320 | HEADREST | | | |
| 130 | 6734 | SEAT SLIDE PAIR | | | |
| 131 | 11791-2 | FRONT BAR GBLK | | | |
| 132 | 11792-2 | REAR BAR GBLK | | | |
| 133 | 11793-2 | CENTER BAR GBLK | | | |
| 134 | 8778 | HARNES LAP SHOULDER REST | | | |
| 135 | 8445 | FLAG SAFETY W/ BRKT 3FT | | | |
| 136 | 9188 | BOLT 1/2-13 X 1.50 HHCS G5 Z | | | |
| 137 | 9022 | WASHER 1/2 STD FLAT Z) | | | |

ASM -- ASSEMBLY

NI -- NOT ILLUSTRATED

** - NOT SOLD SEPERATELY