

ORDERING PARTS

FAST & EASY!

LOWEST PRICES!

- 1) Seek Part(s) from your models illustrated diagram, cross over REF# to PART#
- 2) Type PART# into sites [Search Box] at GoKartsRus.com TIP! - RIGHT CLICK LINK, SELECT OPEN IN NEW TAB
- 3) Add all needed parts to Shopping Cart | Complete "Checkout" | ✓ Done!

If a part does not come up in a Site Search, please [Contact Us](#) (include part# in email)

LM300

WITH 277cc KOHLER ENGINE



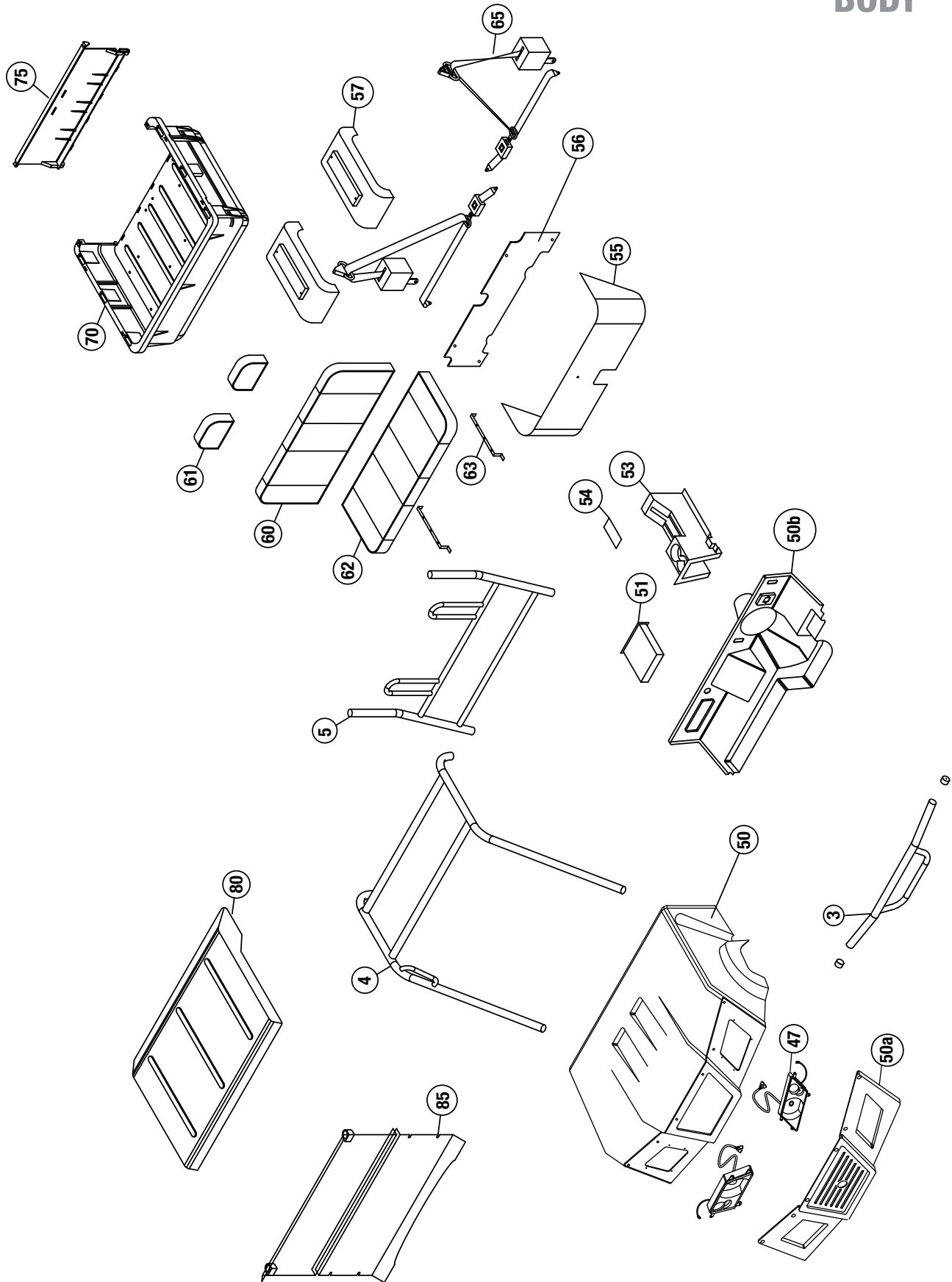
277CC 2 WHEEL DRIVE UTILITY VEHICLE

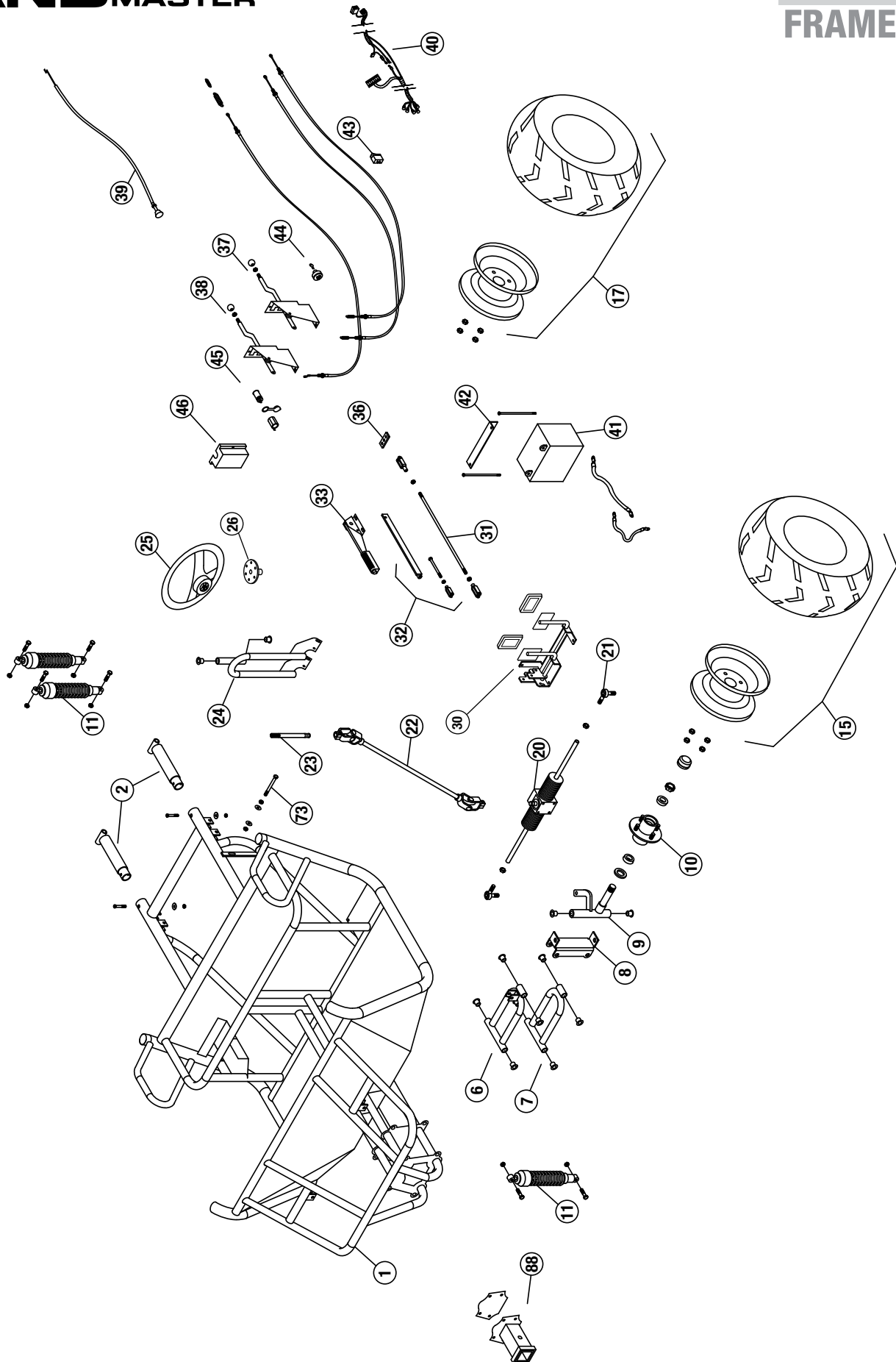
ILLUSTRATED PARTS LIST



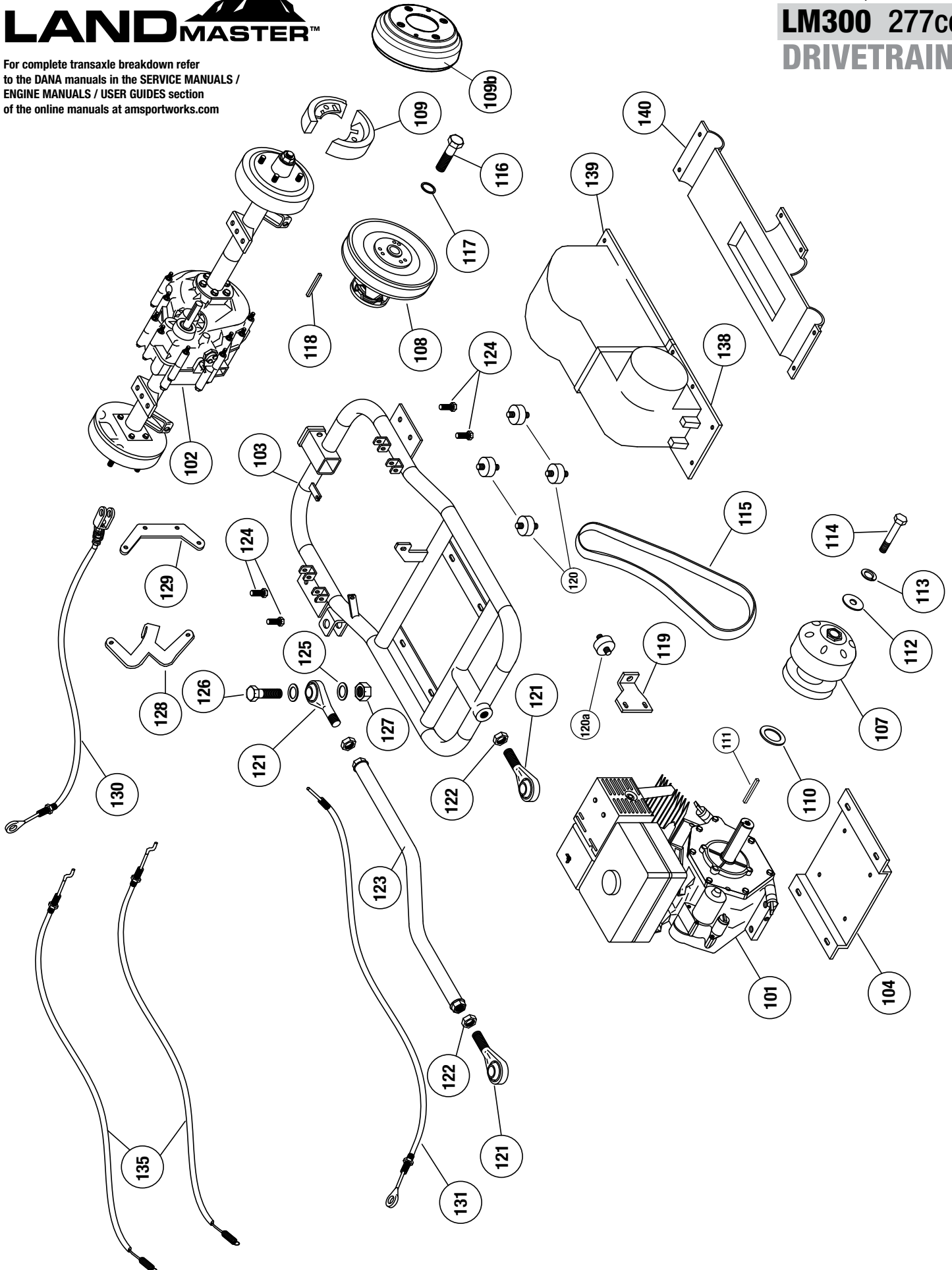
NOTE:

Some part numbers vary by serial number.
The serial number is located on a brass tag
beneath the dump bed on the driver side.

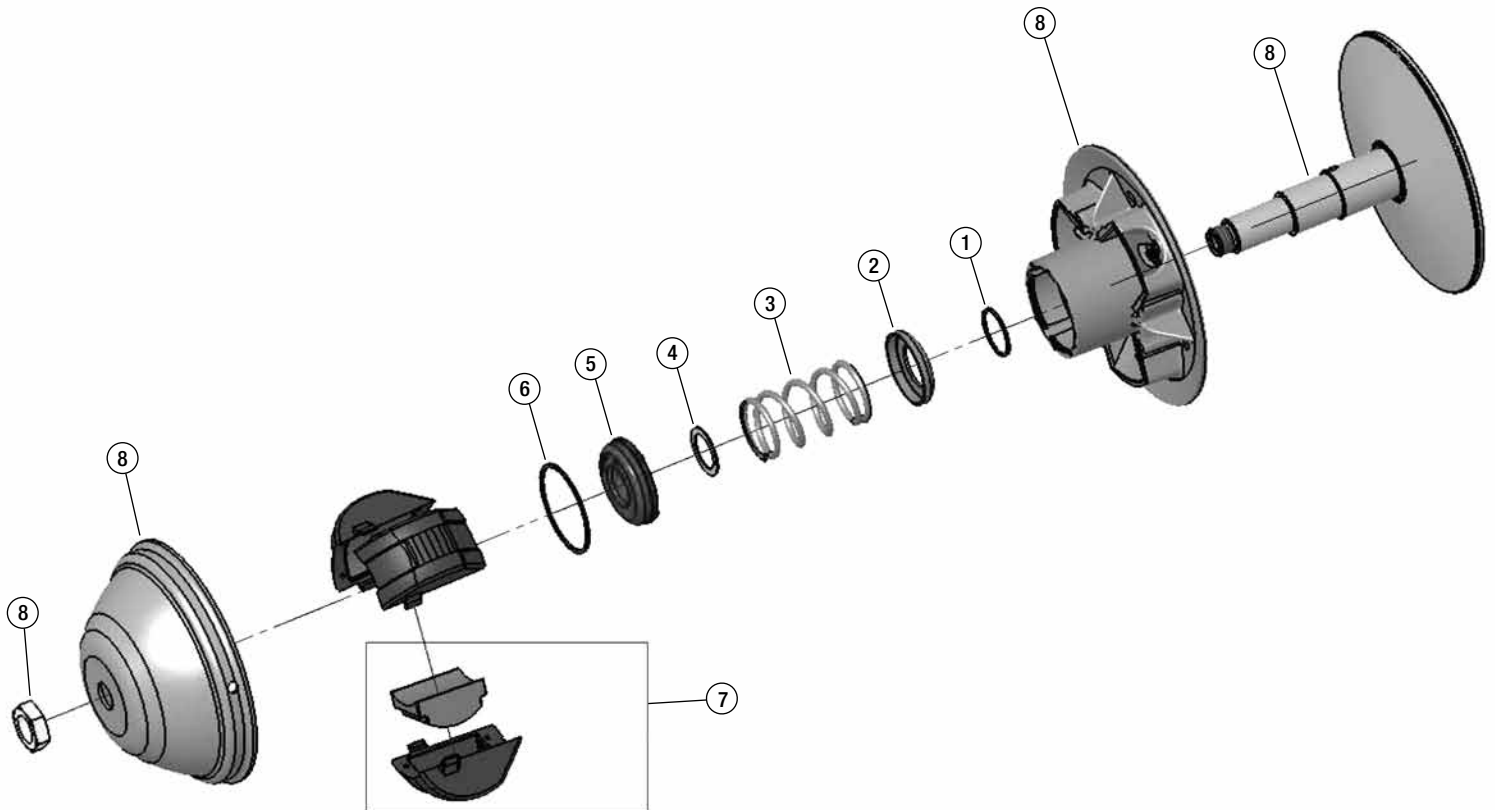




For complete transaxle breakdown refer to the DANA manuals in the SERVICE MANUALS / ENGINE MANUALS / USER GUIDES section of the online manuals at amsportworks.com

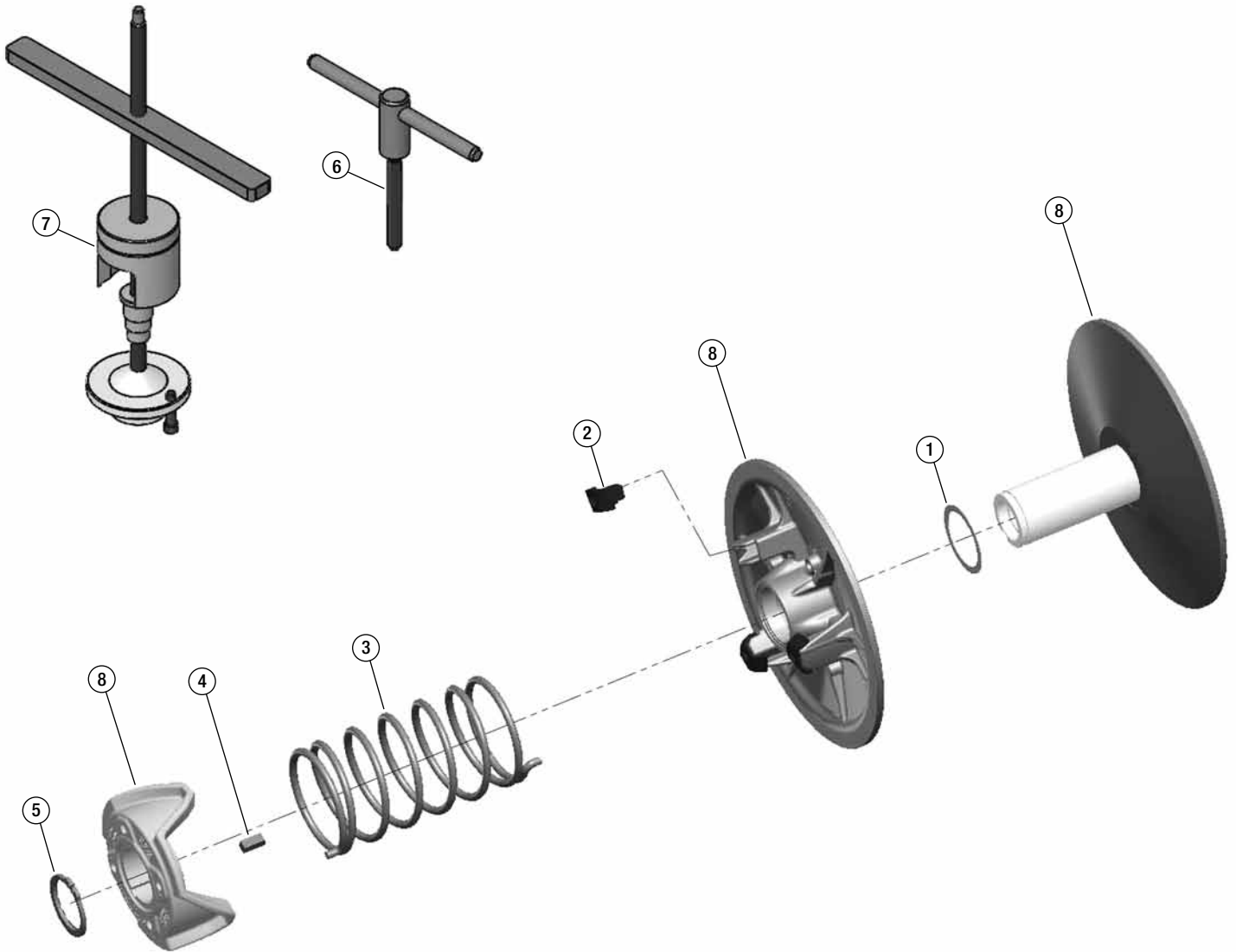


NOTE: parts denoted as left or right hand are from driver's point of view.



ENTIRE ASSEMBLY (2-20665)

| Ref# | Part# | Description | Qty |
|------|---------|--|-----|
| 1 | 16374 | WASHER | 1 |
| 2 | 16375 | SPRING GUIDE | 1 |
| 3 | 16376 | SPRING | 1 |
| 4 | 16377 | SHIM | 1 |
| 5 | 16378 | EXTERNAL BUSHING | 1 |
| 6 | 16379 | INTERNAL SNAP RING | 1 |
| 7 | 16389 | CENTRIFUGAL MASS | 3 |
| 8 | 2-20665 | THIS PART IS ONLY AVAILABLE WITH THE ENTIRE ASSEMBLY | |



| Ref# | Part# | Description | Qty |
|------|---------|--|-----|
| 1 | 16390 | WASHER | 1 |
| 2 | 16391 | CAM SHOE | 3 |
| 3 | 16392 | SPRING | 1 |
| 4 | 16385 | KEY | 1 |
| 5 | 16386 | EXTERNAL RETAINING RING | 1 |
| 6 | 16387 | DISASSEMBLY TOOL | 1 |
| 7 | 16388 | FLANGE SPREADER | 1 |
| 8 | 2-20666 | THIS PART IS ONLY AVAILABLE WITH THE ENTIRE ASSEMBLY | |



ENTIRE ASSEMBLY (2-20666)

| REFERENCE NUMBER | PART NUMBER | PART DESCRIPTION | QUANTITY REQUIRED |
|------------------|-------------|--|-------------------|
| 1 | - | Frame, CW11 | 1 |
| 2 | 2-45401 | Rear frame stub, CW - black | 2 |
| - | 2-50168 | 5/16 x 2-1/4" USS Socket Head bolt | 2 |
| - | 2-50007 | nut, 5/16 nylock | 2 |
| - | 2-50702 | bent washer 5/16 | 2 |
| 3 | 2-45413 | bumper, CW - black | 1 |
| - | 2-50167 | bolt, 5/16 x 2 | 4 |
| - | 2-50007 | nut, 5/16 nylock | 4 |
| - | 2-50702 | bent washer 5/16 | 4 |
| - | 2-70210 | Vinyl Caps 1 3/4 x 1 1/2 | 2 |
| 4 | 2-45412 | Brush Guard roof, CW265 – black | 1 |
| - | 2-50168 | 5/16 x 2 1/4" USS Socket Head bolt | 4 |
| - | 2-50007 | nut, 5/16 nylock | 4 |
| - | 2-50702 | bent washer 5/16 | 4 |
| 5 | 2-45411 | brshgrd seat back, CW – black | 1 |
| - | 2-50172 | 5/16 x 2" USS Socket Head bolt | 2 |
| - | 2-50007 | nut, 5/16 nylock | 2 |
| - | 2-50702 | bent washer 5/16 | 2 |
| 6 | 2-45512 | A-arm upper, 265 – black (left or right) | 2 |
| - | 2-51102 | suspension bushings | 4 ea |
| - | 2-50097 | bolt, 3/8 x 8.5" | 1 ea |
| - | 2-50212 | Bolt, 3/8 x 3.25 bolt | 2 ea |
| - | 2-50010 | Nylock Nut 3/8"-16 | 5 ea |
| - | 2-50225 | Bolt, 3/8" x 8" | 2 ea |
| - | 2-10048 | DOM 3/8" ID x 2.2" | 2 |
| - | 2-42114 | Spacer, 3/8" ID x 6.93" | 2 ea |
| 7 | 2-45513 | A-arm Lower, 265 – black (left or right) | 2 |
| - | 2-51102 | suspension bushings | 4 ea |
| - | 2-50097 | bolt, 3/8 x 8.5" | 1 ea |
| - | 2-50221 | Bolt, 3/8 x 3.25 bolt | 2 ea |
| - | 2-10048 | DOM 3/8" ID x 2.2" | 2 |
| - | 2-50010 | Nylock Nut 3/8" – 16 | 5 ea |
| - | 2-50225 | Bolt, 3/8" x 8" | 2 ea |
| - | 2-42114 | Spacer, 3/8" ID x 6.93" | 2 ea |
| 8 | 2-45408 | spindle mount, CW – black | 2 |
| 9a | 2-45406 | Spindle, left – black | 1 |
| 9b | 2-45407 | Spindle, right – black | 1 |
| - | 2-10049 | DOM 3/8" ID x 7.5" | 2 |
| - | 2-51102 | suspension bushings | 2 ea |
| 10 | 2-30604 | Hub, 4 bolt high speed 1" Complete with Bearings & Seals | 2 |
| - | 2-25018 | Wheel stud, 1/2 -20 X 1 5/8" | |
| - | 2-11205 | bearing, 1" tapered | |
| - | 2-30620 | seal | |
| - | 2-30623 | Metal Dust Cap (Front Only) | 2 |
| - | 2-70209 | Rubber Dust Cap (Rear Only) | 2 |
| - | 2-30622 | castle nut, 1" | |
| - | 2-30621 | cotter pin | |
| - | 2-50060 | Lug nuts, 1/2" | |
| 11 | 2-70302 | Shock, Heavy duty, Black | 6 |
| - | 2-50400 | Bolt, 10 mm x 40mm | 12 |

NOTE: parts denoted as left or right hand are from driver's point of view.

| REFERENCE NUMBER | PART NUMBER | PART DESCRIPTION | QUANTITY REQUIRED |
|------------------|-------------|--|-------------------|
| - | 2-50065 | Nut, 10mm nylock | 12 |
| - | 2-50065 | Nut, 10mm nylock | 12 |
| 15L | 2-30122-B | Rim/Tire Assembly, Black UTV 22/9-10" Front Left | 1 |
| 15R | 2-30123-B | Rim/Tire Assembly, Black UTV 22/9-10" Front Right | 1 |
| 17L | 2-30124-B | Rim/Tire Assembly, Black UTV 22/11-10" Rear Left | 1 |
| 17R | 2-30125-B | Rim/Tire Assembly, Black UTV 22/11-10" Rear Right | 1 |
| 20 | 2-10521 | Rack & pinion with rod ends | 1 |
| - | 2-10593 | Rack & Pinion Boots | 2 |
| - | N/A | Rack & Pinion Rod – Not available sold as assembly only | |
| - | 2-50171 | Bolt, 5/16 x 3 3/4" USS | 4 |
| - | 2-50005 | Nut, 5/16 keps | 4 |
| - | 2-50063 | Nut, 1/2" SAE nylock | 2 |
| 21 | 2-10589 | Rod end | 2 |
| - | 2-50078 | Nut, 1/2" SAE jam | 2 |
| 22 | 2-10526 | Steering Shaft w/u-joints | 1 |
| - | 2-50402 | Bolt, 10mm x 30mm | 1 |
| - | 2-50066 | Nut, 10mm Tri Lock Jam | 1 |
| - | 2-50403 | Bolt, 8mm x 30mm | 1 |
| - | 2-50780 | Lock washer, 8mm | 1 |
| 23 | 2-18170 | Steering Stub Shaft Double Splined | 1 |
| 24 | 2-45400 | Steering support, CW – black | 1 |
| - | 2-51102 | suspension bushings | 2 ea |
| - | 2-50152 | bolt, 5/16 x 1 | 4 |
| - | 2-50005 | Nut, 5/16 keps | 4 |
| 25 | 14845 | Steering Wheel (used for serial number 48598 and above) | 1 |
| - | 14846 | Center cap (used for serial number 48598 and above) | 1 |
| - | 2-10508 | Center cap (used for serial number 48598 and below) | 1 |
| - | 2-10509 | Steering Wheel (used for serial number 48598 and below) | 1 |
| 26 | 2-18169 | Steering Washer | 1 |
| - | 2-50636 | Bolt, 1/4 x 3/4 SS Socket Head | 6 |
| - | 2-50001 | Nut, 1/4 Nylock | 6 |
| - | 2-50098 | Bolt, Tapered | 1 |
| 30 | 2-42106 | Pivot Pedal Asm, Black | 1 |
| - | 2-70261 | Pedal cover, rubber | 2 |
| - | 2-50152 | bolt, 5/16 x 1 | 6 |
| - | 2-50081 | bolt, 1/4 x 1 3/4" | 1 |
| - | 2-50159 | bolt, 5/16 x 1 1/2 | 1 |
| - | 2-50005 | Nut, 5/16 keps | 8 |
| - | 2-50701 | Washer, 5/16 flat | 2 |
| 31 | 2-11181 | Brake Rod, with clevis | 1 |
| - | 2-50215 | Bolt, 3/8 x 1 1/4 | 1 |
| - | 2-50010 | Nut, 3/8" nylock | 1 |
| - | 2-50801 | cotter pin 1/8" x 1 | 1 |
| 32 | 2-45417 | parking brake bar, CW – black | 1 |
| - | 2-50806 | Clevis, 5/16 rod end | 1 |
| - | 2-50170 | Bolt, 5/16"-24 X 4" SAE | 1 |
| - | 2-50077 | Nut, 5/16" Hex SAE | 1 |
| - | 2-50087 | bolt, 1/4" x 1 | 1 |
| - | 2-50001 | nut, 1/4" nylock | 1 |
| 33 | 2-11127 | Parking Brake | 1 |

NOTE: parts denoted as left or right hand are from driver's point of view.

| REFERENCE NUMBER | PART NUMBER | PART DESCRIPTION | QUANTITY REQUIRED |
|------------------|--|--|-------------------|
| - | 2-50086 | Bolt, ¼ x 1 ¼ | 1 |
| - | 2-50001 | nut, ¼" nylock | 1 |
| - | 2-50163 | bolt, 5/16 x ¾" NC | 4 |
| - | 2-50005 | Nut, 5/16 keps | 4 |
| - | 2-50701 | Washer, 5/16 flat | 4 |
| 36 | 2-45415 | Brake equalizer, CW (2 ½") – black | 1 |
| - | 2-50215 | bolt, 3/8 x 1 ¼ | 2 |
| - | 2-50010 | nut, 3/8" ny-lock | 2 |
| 37 | 2-45522 | Shifter assembly | 1 |
| - | 2-11093 | Knob, Shifter Imprinted | 1 |
| - | 2-11082 | Cable, shifter | 2 |
| - | 2-50053 | nut, #10-24 Keps | 2 |
| - | 2-50616 | screw, #10-24 X ¾" Pan Head Phillips | 2 |
| - | 2-50770 | Washer, #10 flat | 2 |
| 39 | 2-11054 | Choke Cable | 1 |
| 40 | 2-70012 | Wire Harness | 1 |
| 41 | 2-70000 | Battery, U1L-HDJ7-UTV - 360CCA | 1 |
| - | 2-70002 | Battery Cable, Red – 19" | 1 |
| - | 2-70010 | Battery Cable, Black (27") | 1 |
| - | 2-70009 | Battery Terminal Cover | 2 |
| - | 2-50087 | bolt, ¼" x 1 | 2 |
| - | 2-50000 | nut, ¼" keps | 2 |
| 42 | 2-45414 | Battery strap, CW (8 ¾") – black | 1 |
| - | 2-50083 | bolt, ¼ x 7 ½ | 2 |
| - | 2-50002 | nut, ¼" wing | 2 |
| 43 | 2-70066 | Headlight Switch | 1 |
| 44 | 2-70052 | Key Switch (keys not included) USED ON VEHICLES MANUFACTURED BEFORE SERIAL NUMBER 58843 | 1 |
| - | 2-70060 | Key USED ON VEHICLES MANUFACTURED BEFORE SERIAL NUMBER 58843 | 1 |
| - | 2-70093 | Key Switch (keys included) USED ON VEHICLES MANUFACTURED AFTER SERIAL NUMBER 58843 | 1 |
| - | 2-70092 | Key set (includes 2 keys) USED ON VEHICLES MANUFACTURED AFTER SERIAL NUMBER 58843 | 1 |
| 45 | 2-70080 | Accessory Plug | 1 |
| 45 | 2-70080 | Accessory Plug | 1 |
| - | 2-70081 | Accessory Plug cap | 1 |
| 46 | 2-18500 | Terminal Block Cover – plastic | 1 |
| - | 2-50625 | screw, #10-24 X 1" Pan Head Phillips | 2 |
| - | 2-50053 | nut, #10-24 Keps nut | 2 |
| 47 | SEE LAST PAGE FOR HEADLIGHT INFORMATION | | |
| 50 | 2-18334 | Hood LM, Red | 1 |
| - | 15977 | Hood LM, "Spencer" Green | 1 |
| - | 2-18346 | Hood LM, Camo | 1 |
| - | 2-18342 | Hood LM, White | 1 |
| 50a | 2-18341 | UTV Grille LM, Black | 1 |
| 50b | 15978 | UTV Dash LM, Black | 1 |
| - | 2-50817 | Push Pin Black Plastic | 16 |
| - | 2-50621 | ¼" x 2" Phillip Head Machine Screw | 1 |
| - | 2-50001 | nut, ¼" nylock | 4 |
| - | 2-50846 | Clamp-Tube-vinyl coated 1-1/4" | 2 |
| 51 | 2-18309 | Glove Box | 1 |
| - | 2-50624 | Screw, #10 x ¾ hex – black | 5 |
| 53 | 2-18306 | Center Console | 1 |

NOTE: parts denoted as left or right hand are from driver's point of view.

| REFERENCE NUMBER | PART NUMBER | PART DESCRIPTION | QUANTITY REQUIRED |
|------------------|-------------|---|-------------------|
| - | 2-50624 | Screw, #10 x ¾ hex – black | 14 |
| 54 | 2-18316 | Access Cover, Center Console | 1 |
| - | 2-50624 | Screw, #10 x ¾ hex – black | 4 |
| 55 | 2-18305 | Plastic, Seat Bottom wrap | 1 |
| - | 2-50624 | Screw, #10 x ¾ hex – black | 5 |
| 56 | 2-55013 | Backsplash Kit (includes: two 2-50025 Nylock Nuts (7/16-14) / two 2-50720 SAE Flat Washers 1/2" / Backsplash) | 1 |
| 57 | 2-18303 | Rear Fender Universal | 2 |
| - | 2-50001 | nut, ¼ nylock | 4 |
| - | 2-50087 | Bolt, ¼"-20 X ¾" Hex Head | 4 |
| - | 2-50717 | ¼" SAE Flat washer | 4 |
| 60 | 2-10771 | Seat back – BLACK & GREY – 43 ½ x 17 ½ | 1 |
| 60 | 2-10754 | Seat back – BLACK – 43 ½ x 17 ½ | 1 |
| - | 2-50619 | #14 X 1-3/4" Pan head-Tapping screw | 6 |
| 61 | 2-10773 | Headrest – BLACK & GREY – 9 x 6 ½ | 2 |
| 61 | 2-10803 | Headrest – BLACK – 9 x 6 ½ | 2 |
| - | 2-50085 | bolt, ¼ x 1 ½" | 4 |
| 62 | 2-10772 | Seat bottom – BLACK & GREY – 43 ½ x 17 ½ | 1 |
| 62 | 2-10755 | Seat bottom – BLACK – 43 ½ x 17 ½ | 1 |
| 63 | 2-45416 | seat bar, CW (17 ½") – black | 2 |
| - | 2-50609 | #14 x ¾ Pan Head Screw | 6 |
| 65 | 14786 | Seatbelt, retractable without sleeve | 2 |
| - | 8375 | Seatbelt plastic sleeve - 7" length | 2 |
| - | 2-50025 | 7/16 Nylock | 4 |
| 70 | 2-18356 | Dump Bed UTV Plastic | 1 |
| - | 2-50255 | 5/8 x 4" bolt Zinc plate | 2 |
| - | 2-50015 | 5/8 nylock | 2 |
| - | 2-18413 | Bed Bumper 3/8" Rubber | 2 |
| 73 | 2-50208 | Bed latch bolt, 3/8 x 2 1/2" | 1 |
| - | 2-50013 | nut, 3/8 keps | 2 |
| - | 2-50740 | washer, 3/8 flat | 2 |
| 75 | 2-18357 | Dump Bed Tailgate UTV Plastic | 1 |
| 101 | 2-20021 | Engine, Kohler 277 | 1 |
| - | 2-50202 | 3/8-16 x 1 3/4" Hex Hd Bolt | 4 |
| - | 2-50740 | 3/8" Flat washer, USS | 4 |
| 102 | 2-20869 | Dana Transaxle – 265 models | 1 |
| 103 | 2-45423 | Swing arm, CW - Black | 1 |
| 104 | 2-45430 | Motor Plate, CW - Black | 1 |
| 107 | 2-20665 | TC, Driver CVTECH – used after Serial Number # 42439 (parts list on page 5) | 1 |
| 108 | 2-20666 | TC, Driven CVTECH – used after Serial Number # 42439 (parts list on page 6) | 1 |
| 109 | 16279 | Brake Shoes - Rear UTV – Dana (kit includes 4 shoes to cover both rear wheels) | 1 |
| 109b | 2-11191 | Brake Drum Replacement #012WA123 | 2 |
| 110 | 2-50745 | 1" I.D. Spacer Washer | 1 |
| 111 | 2-10190 | 3/16 x 1/4 x 1-1/2" Keystock (for use with CV Tech driver pulley) | 1 |
| 112 | 2-50795 | 7/16" I.D. Fender Washer | 1 |
| 113 | 2-50793 | 7/16" Lock Washer | 1 |
| 114 | 2-50304 | 7/16 x 5 SAE Bolt | 1 |
| 115 | 2-20694 | Belt, CV Tech | 1 |
| 116 | 2-50239 | 1/2 x 2" SAE | 1 |
| 117 | 2-50722 | 1/2" Lock Washer | 1 |
| - | 2-50721 | 1/2" Uss Flat Washer | 1 |

NOTE: parts denoted as left or right hand are from driver's point of view.

| REFERENCE NUMBER | PART NUMBER | PART DESCRIPTION | QUANTITY REQUIRED |
|------------------|-------------|---|-------------------|
| 118 | 2-10191 | 3/16 x 3/16 x 3-1/4" Keystock (for use with CV Tech driven pulley) | 1 |
| 119 | 2-18061 | Tension Mount Engine, 265 - Black | 1 |
| - | 2-50157 | 5/16x 3/4" Bolt Hex Hd NF | 2 |
| - | 2-50703 | 5/16" Lock Washer | 2 |
| - | 2-50704 | 5/16" Flatwasher | 2 |
| 120 | 2-70251 | Rubber Feet (Isolators)* SEE NOTE AT BOTTOM OF PAGE | 4 |
| 120a | 2-70252 | Rubber Feet (Isolator)* SEE NOTE AT BOTTOM OF PAGE | 1 |
| - | 2-50010 | 3/8 Nylock Nut | 10 |
| - | 2-50740 | 3/8 Flatwasher USS | 5 |
| 121 | 2-10583 | Rod End Sphcl-UTV (4681-MPM-12) | 3 |
| 122 | 2-50021 | 3/4 Jam nut SAE | 3 |
| 123 | 2-42093 | Panhard bar, CW - black | 1 |
| 124 | 2-50206 | bolt, 3/8 x 1 | 4 |
| - | 2-50010 | 3/8" Nylock Nut | 4 |
| - | 2-50740 | 3/8" Flatwasher, USS | 4 |
| 126 | 2-50280 | 3/4 x 2.5 SAE bolt | 3 |
| 127 | 2-50020 | 3/4 SAE nylock | 3 |
| 128 | 2-18011 | Shifter cable mount | 1 |
| 129 | 2-18012 | shifter cable lever, | 1 |
| - | 2-50084 | 1/4-20 x 3/4" Hex Hd Bolt | 1 |
| - | 2-50000 | 1/4" Keps Nut | 1 |
| - | 2-50715 | 1/4" Flatwasher, USS | 2 |
| 130 | 2-11103 | Brake Cables | 2 |
| - | 2-50150 | 5/16-18 x 1" Hex Hd Bolt | 2 |
| - | 2-50007 | 5/16" Nylock Nut | 2 |
| 131 | 2-11011 | Throttle Cable, UTV | 1 |
| - | 2-50227 | #10 Shoulder Bolt | 1 |
| - | 2-11804 | Spring #80704 | 1 |
| 135 | 2-11082 | Cable, shifter | 2 |
| 138 | 2-18313 | Belt Guard Plastic UTV - Front | 1 |
| 139 | 2-18314 | Belt Guard Plastic UTV - Rear | 1 |
| 140 | 2-18315 | Belt Guard Plastic UTV - Bottom | 1 |
| - | 2-50624 | #10 x 3/4" Blunt Point Black | 7 |
| - | 2-50050 | #10 Speed Nut - for Plastic | 7 |
| - | 2-50770 | #10 Flat washer | 7 |

* On single cylinder models, quantity 5 of 2-70250 was replaced by quantity 4 of 2-70251 and 1 of 2-70252 on 6/1/2012. The 4 of the 2-70251 go under the engine and the 1 of the 2-70252 goes in the vertical mount. We do not recommend replacing only one bushing and that all four bushings should be replaced together.

NOTE: parts denoted as left or right hand are from driver's point of view.

pub. 04/27/17

HEADLIGHT REPLACEMENT BULBS AND ASSEMBLIES FOR ASW UTILITY VEHICLES

Bulb: p/n 2-70127

Assembly: p/n 2-70129
(5 1/4" oval)

Bulb: p/n 2-70127

Assembly: p/n 2-70133
(4 3/8" rectangle)

Bulb: p/n 2-70127

Assembly: p/n 15648
(3 1/4" Round)

**Bulb: Sealed housing
no bulb available**

Assembly: p/n 14768
(4" round)

Light assembly: p/n 2-70158
(5" round)

Amber reflector: p/n 14784
(2 1/4" Round)

Bulb: p/n 2-70122

**Plastic insert: p/n "Driver Side" 15944 (inner bezel)
15946 (outer bezel)**

**Plastic insert: p/n "Passenger Side" 15943 (inner bezel)
15945 (outer bezel)**

Bulb: p/n 15304

**Light assembly: p/n 2-70153 (driver side)
Light assembly: p/n 2-70154 (passenger side)**

Bulb: p/n 2-70146

**Twist-in Bulb:
Sylvania 1891 or equivalent**

**Push-in Bulb:
Sylvania 2825 or equivalent**

Depending on your year of manufacture,
this housing either has a "push-in" or "twist-in" bulb

Measurements are taken from left to right of the visible portion of the lens

ORDERING PARTS

FAST & EASY!

LOWEST PRICE!

- 1) Seek Part(s) from your models illustrated diagram, cross over REF# to PART#
- 2) Type PART# into sites [Search Box] at GoKartsRus.com TIP! - RIGHT CLICK LINK, SELECT OPEN IN NEW TAB
- 3) Add all needed parts to Shopping Cart | Complete "Checkout" | ✓ Done!

If a part does not come up in a Site Search, please [Contact Us](#) (include part# in email)