

LM650H / LM650P

653cc SUBARU GASOLINE / 48 VOLT ELECTRIC



ORDERING PARTS

FAST & EASY!

- 1) Seek Part(s) from your models illustrated diagram, cross over REF# to PART#
- 2) Type PART# into sites [Search Box] at GoKartsRus.com TIP! - RIGHT CLICK LINK, SELECT OPEN IN NEW TAB
- 3) Add all needed parts to Shopping Cart | Complete "Checkout" | ✓ Done!

If a part does not come up in a Site Search, please [Contact Us](#) (include part# in email)

LOWEST PRICE!



unit shown with standard PREDATOR package accessories



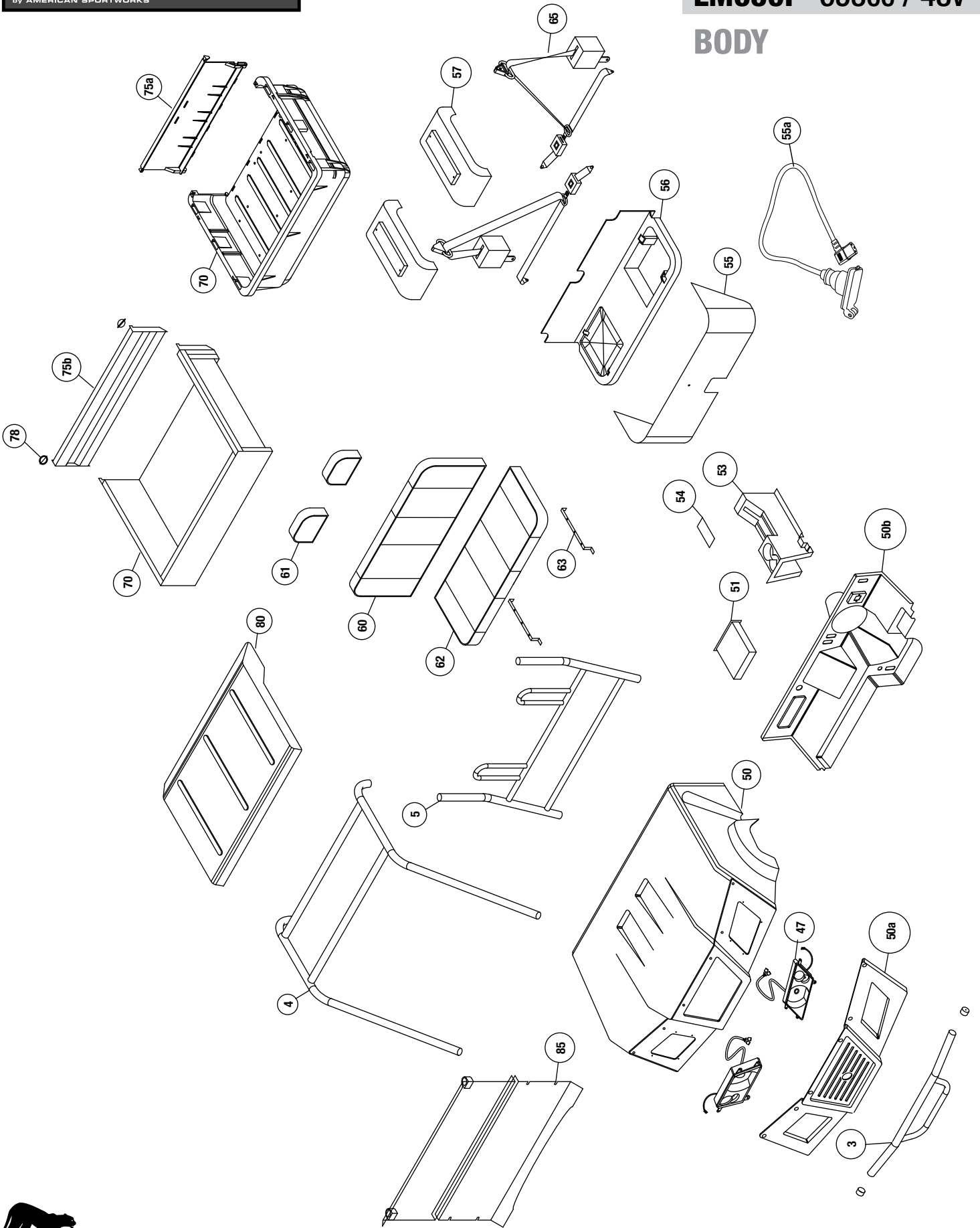
NOTE:

Some part numbers vary by serial number.
The serial number is located on a brass tag
beneath the dump bed on the driver side.

GAS / ELECTRIC HYBRID 4 WHEEL DRIVE UTILITY VEHICLE

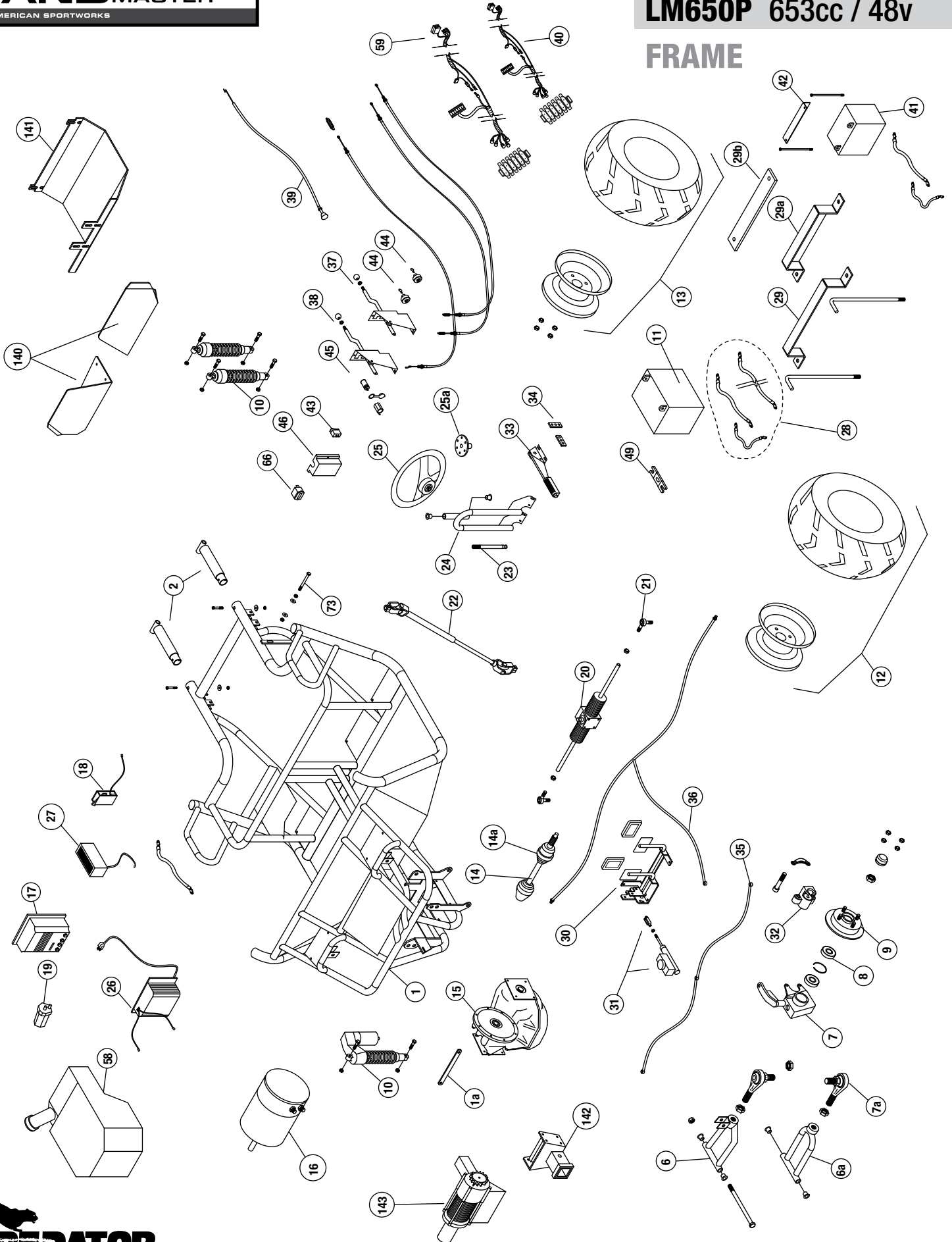
ILLUSTRATED PARTS LIST

BODY



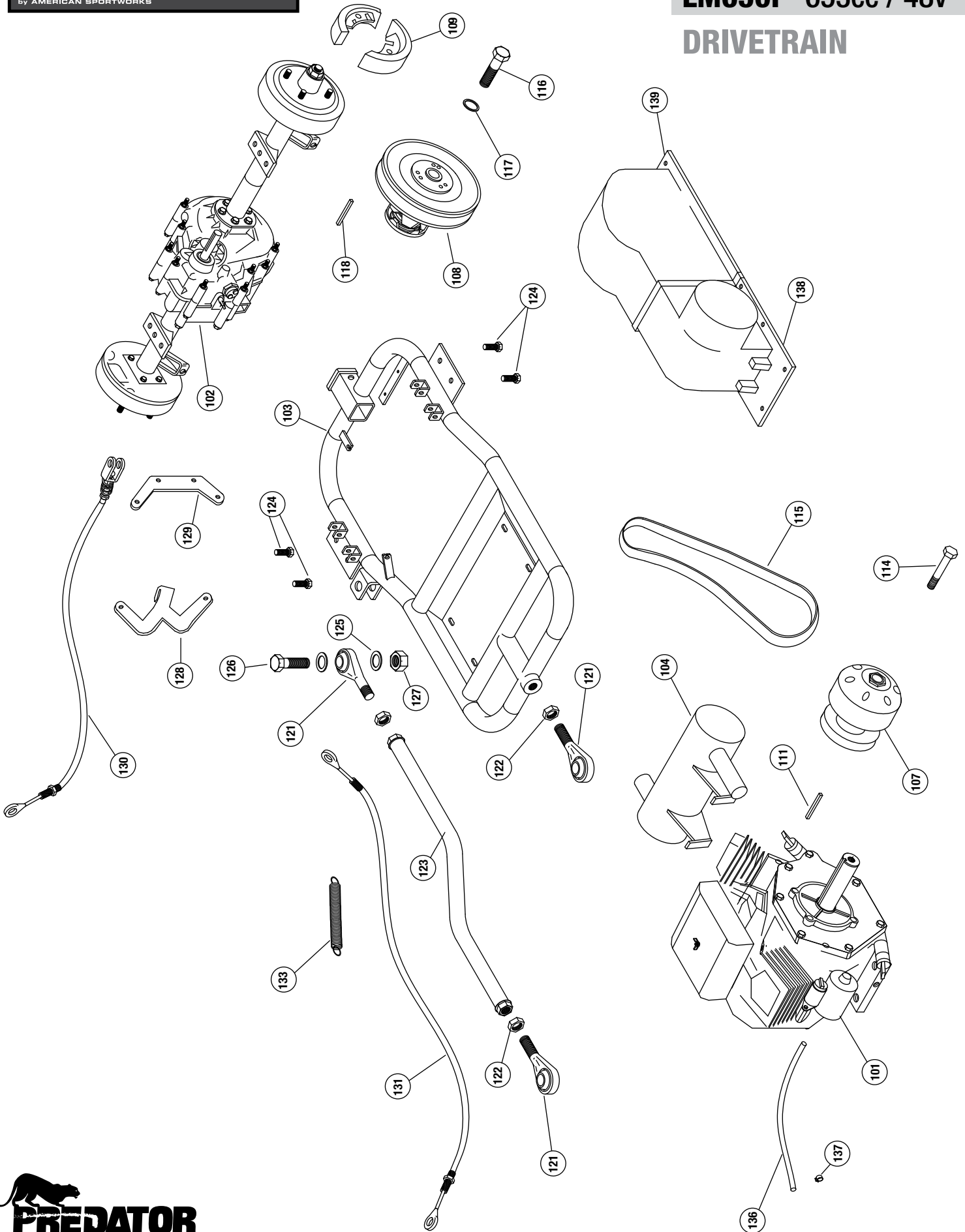
NOTE: parts denoted as left or right hand are from driver's point of view.

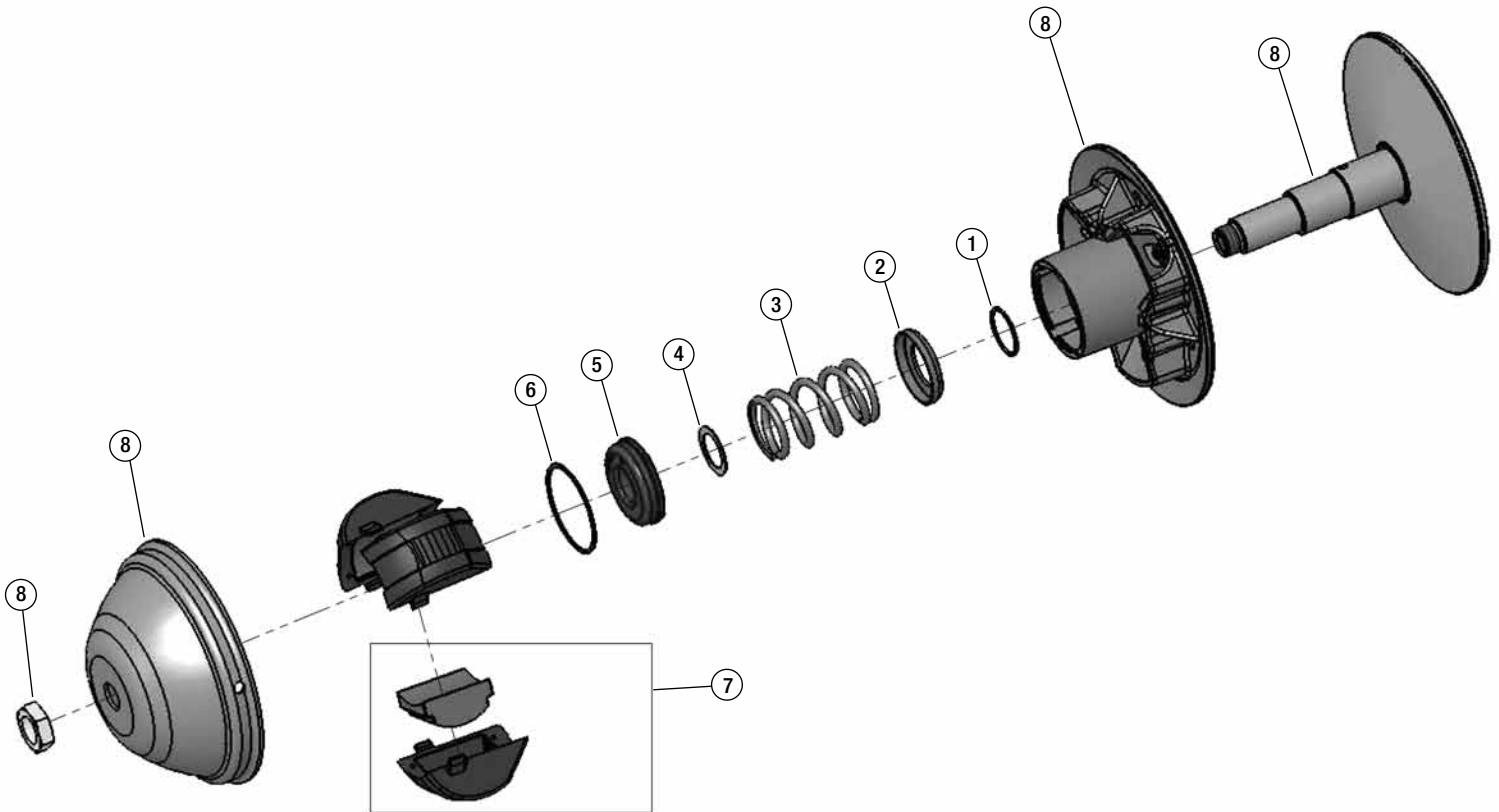
FRAME



NOTE: parts denoted as left or right hand are from driver's point of view.

DRIVETRAIN

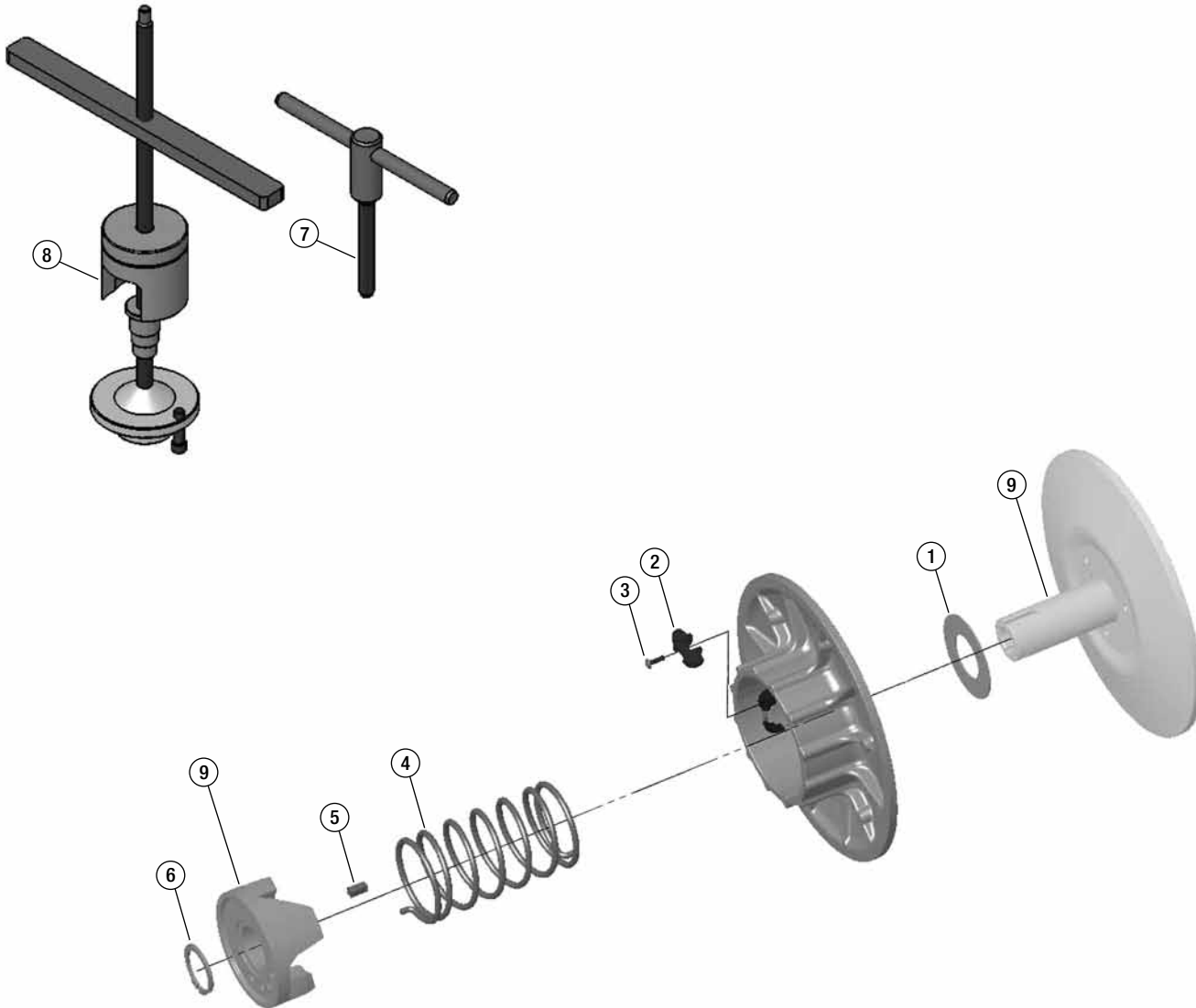




Ref#	Part#	Description	Qty
1	16374	WASHER	1
2	16375	SPRING GUIDE	1
3	16376	SPRING	1
4	16377	SHIM	1
5	16378	EXTERNAL BUSHING	1
6	16379	INTERNAL SNAP RING	1
7	16380	CENTRIFUGAL MASS	3
8	2-20662	THIS PART IS ONLY AVAILABLE WITH THE ENTIRE ASSEMBLY	



ENTIRE ASSEMBLY (2-20662)



Ref#	Part#	Description	Qty
1	16381	WASHER	1
2	16382	CAM SHOE	3
3	16383	SCREW	3
4	16384	SPRING	1
5	16385	KEY	1
6	16386	SNAP RING	1
7	16387	DISASSEMBLY TOOL	1
8	16388	FLANGE SPREADER	1
9	2-20661	THIS PART IS ONLY AVAILABLE WITH THE ENTIRE ASSEMBLY	



ENTIRE ASSEMBLY (2-20661)

REFERENCE NUMBER	PART NUMBER	PART DESCRIPTION	QUANTITY REQUIRED
1	-	Frame, Single Seat Hybrid	
1a	2-18158	Tie Bar (Metal strip to connect A-arm mount front)	
2	2-45401	Rear Frame Stub	
3	2-45439	Landmaster Front Bumper	1
-	2-50167	bolt, 5/16 x 2	4
-	2-50007	nut, 5/16 nylock	4
-	2-50702	bent washer 5/16	4
-	2-70210	1.75" Round Tubing Plug	2
4	2-42104	Brushguard Roof	
5	2-45411	Brushguard Seatback	
6	2-45463	Upper A-Arm, Hybrid	
6a	2-45464	Lower A-Arm, Hybrid	
7	2-40564	Spindle Welded LEFT, Hybrid	
7a	2-40565	Spindle Welded RIGHT, Hybrid	
7a	2-10598	Heim Joint 3/4" Studded	
8	2-25021	Front Spindle Bearing	
-	2-25022	Snap Ring	
9	2-25011	Hub/8.75" Rotor 4x4	
-	2-25018	Wheel stud, 1/2 -20 X 1 5/8"	
-	2-30623	Metal Dust Cap (Front only)	
-	2-50060	Lug nuts, 1/2"	
10	2-70305	Reservoir Shocks (Front Hybrid)	
10a	2-14535	Shocks, Heavy Duty (yellow/chrome)	
-	2-50400	Bolt 10mm x 40mm	
-	2-50065	Nut 10mm nylock	
11	2-69997	12v Batteries, Trojan AGM	
12L	----->	Front Rim/Tire Assembly, UTV 25/11-12" (Left #2-30149 / Right #2-30150)	
12R	----->	Front Rim/Tire Assembly, UTV 25/11-12" (Left #2-30149 / Right #2-30150)	
-	2-30199	Tire Only	
-	2-30481-B	Rim Only	
13L	2-30150	Rear Rim/Tire Assembly, UTV 25/10-12" (Left)	
13R	2-30150	Rear Rim/Tire Assembly, UTV 25/10-12" (Right)	
-	2-30199	Tire Only	
-	2-30481-B	Rim Only	
14	2-20871	CV Axle, Hybrid	
14a	----->	CV Boot (P/N 2-20868 fits 2.5" bell / 2-20873 fits 3" bell) 1 per half shaft	
-	16175	Circlip, 24.5 x 1.6	2
15	2-20867	Dana Electric Transaxle	
16	2-20123	48V Electric Motor	
-	2-20121	Speed Sensor for 48v motor	
17	2-70111	Controller (Curtis)	
18	2-70112	Potentiometer (Curtis) (mfg part# 14281008)	
19	2-70120	Contacto (Curtis)	
20	2-10521	Rack & Pinion	
21	2-10589	Rod End	
22	2-10526	Steering Shaft with U-Joints	
23	2-10520	Steering Stub Shaft Landmaster Double Splined	
24	2-45462	Steering Support	
25	14845	Steering Wheel (used for serial number 48598 and above)	1
-	14846	Center cap (used for serial number 48598 and above)	1

NOTE: parts denoted as left or right hand are from driver's point of view.

REFERENCE NUMBER	PART NUMBER	PART DESCRIPTION	QUANTITY REQUIRED
-	2-10508	Center cap (used for serial number 48598 and below)	1
-	2-10509	Steering Wheel (used for serial number 48598 and below)	1
25a	2-18169	Steering Washer	1
26	2-70121	Charger, Delta Q	
27	2-70115	Converter	
28	2-69906	Battery Cable Red 10.5"	
-	2-69901	Battery Cable Black 20"	
-	2-70072	Battery Cable Red 70"	
-	2-70075	Battery Cable Black 70"	
-	2-70009	Battery Terminal Cover (rubber)	
29	2-18178	Battery Strap, Hybrid (rear driver side)	
29a	2-18179	Battery Strap, Hybrid (rear center)	
29b	-	Battery Strap, Hybrid (for front AGM batteries under hood)	
30	2-42106	Pivot Pedal Asm, Black	1
-	2-70261	Pedal cover,rubber	2
-	2-50152	bolt, 5/16 x 1	6
-	2-50081	bolt, 1/4 x 1 3/4"	1
-	2-50159	bolt, 5/16 x 1 1/2	1
-	2-50005	Nut, 5/16 keps	8
-	2-50701	Washer, 5/16 flat	2
31	2-11120	Master Cylinder	
32	2-11124	Brake Caliper	
-	2-11168	Brake mount pins	
-	2-11169	Brake retaining clips	
-	2-11167	Brake Pads	
33	2-11127	Parking Brake	
34	2-18038	Brake Spreader	
35	2-11135	Brake Hose, Front	
36	2-11136	Brake Hose, Rear	
-	2-11137	Banjo bolt- brake line	
-	2-11138	Brake line crush washer	
37	2-45509	Shifter Assembly	
38	2-11086	Differential Control Assembly	
39	2-11053	Choke Cable	
40	2-70068	Wire Harness - 653cc	
40a	2-70094	Key Switch Adapter Harness	
41	2-69998	Battery, 12V35AH	
42	2-45414	Battery Strap, U1L-8250-UTV	
43	2-70066	Headlight switch	
43a	2-70119	Fwd/n/Rev Switch	
43b	2-70069	Drive/Regen Switch	
44	2-70058	Key Switch (keys included) USED ON VEHICLES MANUFACTURED BEFORE SERIAL NUMBER 58843	
-	2-70060	Key USED ON VEHICLES MANUFACTURED BEFORE SERIAL NUMBER 58843	1
-	2-70093	Key Switch for 653cc engine (keys included) USED ON VEHICLES MANUFACTURED AFTER SERIAL NUMBER 58843	
-	2-70092	Key set for 653cc engine (includes 2 keys) USED ON VEHICLES MANUFACTURED AFTER SERIAL NUMBER 58843	
-	2-70059	Key Switch Electric 48V	
45	2-70080	12v Accessory Plug	
-	2-70081	12v Accessory Plug Cap	
46	2-18500	Terminal Block Cover (plastic)	
47	SEE LAST PAGE FOR HEADLIGHT INFORMATION		

REFERENCE NUMBER	PART NUMBER	PART DESCRIPTION	QUANTITY REQUIRED
49	2-70020	500 Amp Fuse	
50	2-18344	Hood LM, Camo	
-	2-18334	Hood LM, Red	
-	15977	Hood LM, "Spencer" Green	
-	2-18342	Hood LM, White	
50a	2-18341	UTV Grille LM Black	
50b	15979	UTV Dash LM Black	
51	2-18309	Glove Box	
53	2-18306	Center Console, Front	
54	2-18316	Access Cover, Center Console	
55a	2-69908	Flush Mount Charger Receptacle	
55	2-18305	Plastic, Seat Bottom Wrap	
56	2-18355	Under Seat Storage Box	
57	2-18303	Rear Fenders - Universal	2
58	2-55069	Fuel Tank, Flambeau	1
-	15698	Clamp, 3/8 Spring Tube	1
-	2-65503	UTV, Fuel Line 3/16" black	1
-	2-55063	Elbow Fuel Inlet with #200 Mesh Screen	1
-	2-55062	Fuel Fitting Grommet	1
-	2-55073	Fuel Tank Cap (used with Flambeau fuel tank)	1
-	2-55066	Fuel Tank Cap (used on units AFTER serial number 58908 with QMI opaque fuel tank)	1
-	2-55071	Fuel Tank Straps	2
-	2-50010	Nut, 3/8 Nylock	4
-	2-50740	Washer, 3/8 Flat	4
59	2-70160	Single Seat Hybrid Wiring Harness	
60	2-10771	Seat back – BLACK & GREY – 43 ½ x 17 ½	1
60	2-10754	Seat back – BLACK – 43 ½ x 17 ½	1
61	2-10773	Headrest – BLACK & GREY – 9 x 6 ½	2
61	2-10803	Headrest – BLACK – 9 x 6 ½	2
62	2-10772	Seat bottom – BLACK & GREY – 43 ½ x 17 ½	1
62	2-10755	Seat bottom – BLACK – 43 ½ x 17 ½	1
63	2-45416	Seat Bar	
65	14786	Seatbelt, retractable without sleeve	2
-	8375	Seatbelt plastic sleeve - 7" length	2
-	2-50025	7/16 Nylock	4
66	2-70113	Charge Gauge	
70	2-45424	Dump Bed UTV STEEL	
70	2-18356	Dump Bed UTV STRUCTURAL FOAM POLYURETHANE	1
-	2-50255	5/8 x 4" bolt Zinc plate	2
-	2-50015	5/8 nylock	2
-	2-18413	Bed Bumper 3/8" Rubber	2
73	2-50208	Bed Latch Bolt, 3/8" x 2 1/2"	
75a	2-18357	Dump Bed Tailgate UTV STRUCTURAL FOAM POLYURETHANE	1
75b	2-45425	Dump Bed Tailgate UTV STEEL	1
-	2-50152	Bolt, 5/16-18 X 1 Carriage	2
-	2-50701	Washer, 5/16 SAE Flat	4
-	2-50007	Nut, 5/16in Nylock	2
78	2-50815	1/4" Lynch Pin - Tailgate Latch	
80	2-18328	Black Textured Plastic Roof	
85	2-18411	Windshield, Clear	

NOTE: parts denoted as left or right hand are from driver's point of view.

REFERENCE NUMBER	PART NUMBER	PART DESCRIPTION	QUANTITY REQUIRED
101	2-20019	Engine, Subaru V-Twin 653cc	
102	2-20838	Dana Transaxle	
103	2-45505	Swing arm 650 4x4	
104	2-55043	Muffler 653cc Subaru	
107	2-20662	TC, Driver CV Tech (parts list on page 5)	
108	2-20661	TC, Driven 10.25" CV Tech (parts list on page 6)	
109	2-11173	Brake Shoes - Rear UTV – Dana (1 set for each wheel)	
110	2-50745	1" I.D. Spacer Washer	
111	2-10190	3/16 x 1/4 x 1-1/2" Keystock (for use with CV Tech driver pulley)	
112	2-50742	3/8" I.D. Spacer Washer	
113	2-50741	3/8" Lock Washer	
114	2-50222	3/8 x 3 1/2" Bolt Hex Hd NF	
115	2-20698	Belt, CV Tech Power Block	
116	2-50239	Bolt 1/2"x 2" SAE	
117	2-50722	1/2" Lock Washer	
118	2-10191	3/16 x 3/16 x 3-1/4" Keystock (for use with CV Tech driven pulley)	
121	2-10583	Rod End Sphcl-UTV (4681-MPM-12)	
122	2-50021	3/4" Jam nut SAE	
123	2-42093	Panhard bar, CW 4x4 - black	
124	2-50206	Bolt, 3/8"x 1"	
125	2-50730	3/4" Spacer Washer	
126	2-50280	3/4"x 2.5" SAE bolt	
127	2-50020	3/4" SAE nylock	
128	2-18012	Shifter lever, CW - black	
129	2-18011	Shifter cable mount, CW - black	
130	2-11104	Parking Brake Cables 4x4	
131	2-11012	Throttle Cable, UTV Gas	
-	2-11014	Throttle Cable 48V	
133	2-11804	Spring #80704 Black painted	
136	2-65500	Fuel hose 3/16" dia - 24"	
137	2-50849	Hose clamps - small	
138	2-18320	Belt Guard Plastic 650 UTV - Front	
139	2-18324	Belt Guard Plastic 650 UTV - Rear	
140	2-55044	CV Guards (LM650P standard accessory)	
141	2-55011	X-Large Skid Plate (LM650P standard accessory)	
142	2-40729	4x4 Hitch Kit (LM650P standard accessory)	
143	2-55075	Winch Kit (LM650P standard accessory)	

HEADLIGHT REPLACEMENT BULBS AND ASSEMBLIES FOR ASW UTILITY VEHICLES

Bulb: p/n 2-70127
Assembly: p/n 2-70129
 (5 1/4" oval)

Bulb: p/n 2-70127
Assembly: p/n 2-70133
 (4 3/8" rectangle)

Bulb: p/n 2-70127
Assembly: p/n 15648
 (3 1/4" Round)

Bulb: Sealed housing no bulb available
Assembly: p/n 14768
 (4" round)

Light assembly: p/n 2-70158
 (5" round)

Amber reflector: p/n 14784
 (2 1/4" Round)

Bulb: p/n 2-70122

Plastic insert: p/n "Driver Side" 15944 (inner bezel)
 15946 (outer bezel)

Plastic insert: p/n "Passenger Side" 15943 (inner bezel)
 15945 (outer bezel)

Bulb: p/n 15304
Light assembly: p/n 2-70153 (driver side)
Light assembly: p/n 2-70154 (passenger side)

Bulb: p/n 2-70146

Twist-in Bulb: Sylvania 1891 or equivalent

Push-in Bulb: Sylvania 2825 or equivalent

Depending on your year of manufacture, this housing either has a "push-in" or "twist-in" bulb

Measurements are taken from left to right of the visible portion of the lens

ORDERING PARTS

FAST & EASY!

LOWEST PRICES!

- 1) Seek Part(s) from your models illustrated diagram, cross over REF# to PART#
- 2) Type PART# into sites [Search Box] at GoKartsRus.com TIP! - RIGHT CLICK LINK, SELECT OPEN IN NEW TAB
- 3) Add all needed parts to Shopping Cart | Complete "Checkout" | ✓ Done!

If a part does not come up in a Site Search, please [Contact Us](#) (include part# in email)