

# ORDERING PARTS

FAST & EASY!

LOWEST PRICES!

- 1) Seek Part(s) from your models illustrated diagram, cross over REF# to PART#
- 2) Type PART# into sites [Search Box] at [GoKartsRus.com](http://GoKartsRus.com) TIP! - RIGHT CLICK LINK, SELECT OPEN IN NEW TAB
- 3) Add all needed parts to Shopping Cart | Complete "Checkout" | ✓ Done!

If a part does not come up in a Site Search, please [Contact Us](#) (include part# in email)

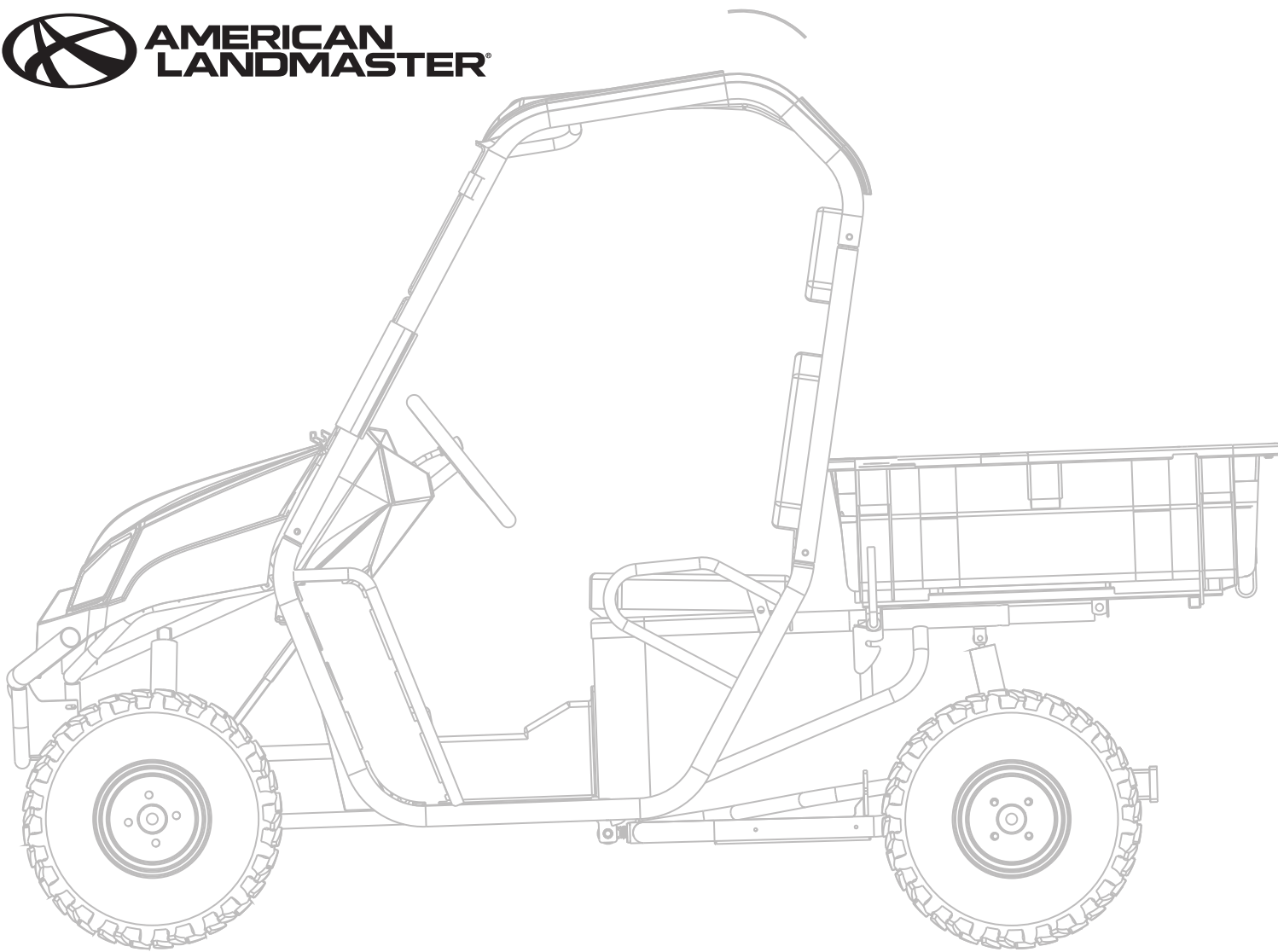
## Trail Wagon™ TW450

with electronic fuel injection

### 2WD GAS POWERED UTILITY VEHICLE



AMERICAN  
LANDMASTER®



# ILLUSTRATED PARTS LIST

This Illustrated Parts List covers the following 2017 model American LandMaster made Utility Vehicles

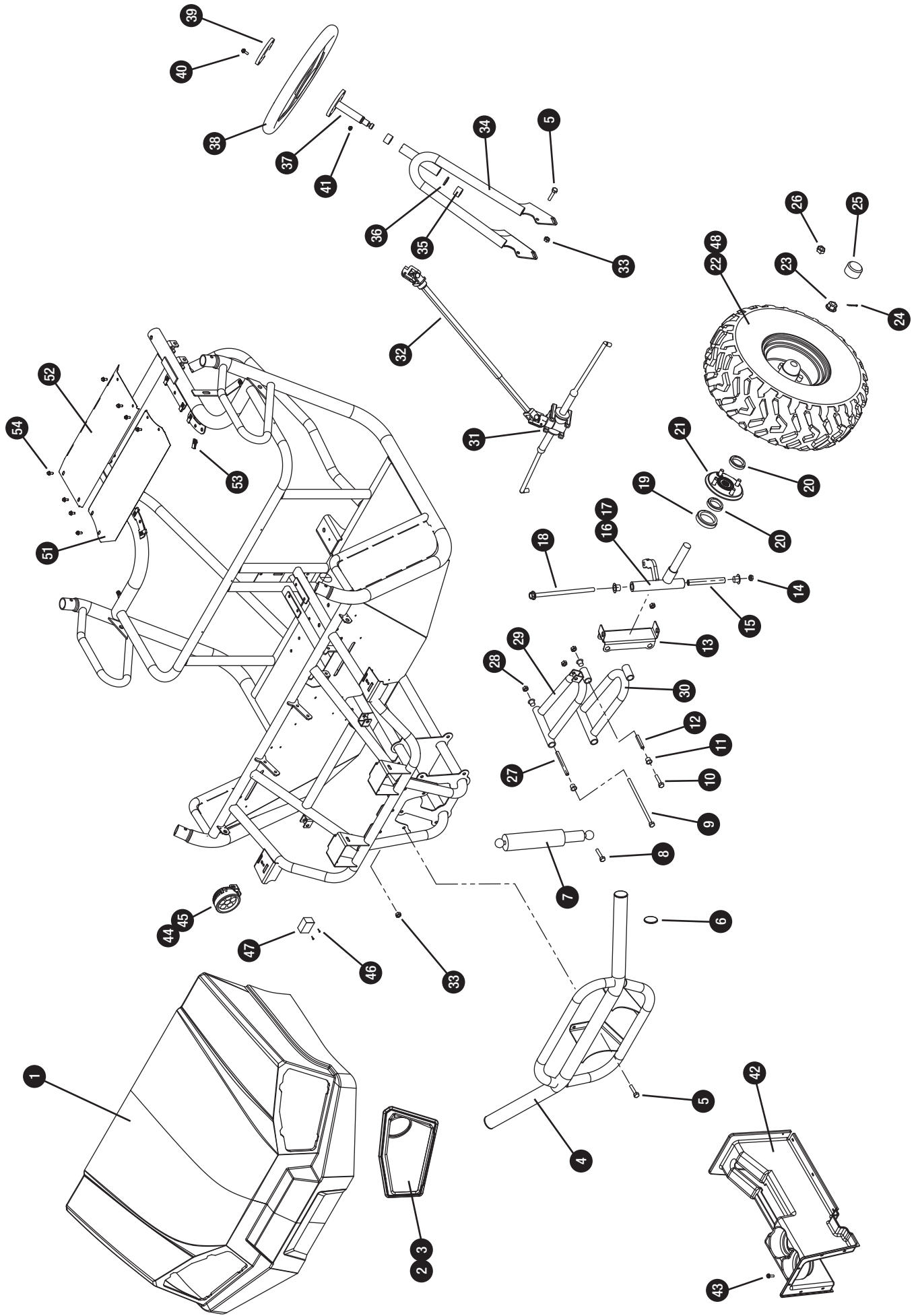


**AMERICAN  
LANDMASTER®**

**Trail Wagon™ TW450**

*with electronic fuel injection*

**CHASSIS - FRONT 2WD**  
ILLUSTRATED PARTS LIST



publish date: 10/16/17

**2WD UTILITY VEHICLE CHASSIS - FRONT**

**GAS POWERED**

NOTE: parts denoted as left hand (LH) or right hand (RH) are from driver's point of view.

REFERENCE NUMBER	PART NUMBER	PART DESCRIPTION	QUANTITY REQUIRED
1	16819	RED HOOD ASSEMBLY, RED-MY17 w/ BRACKET	1
1	2-20157	BOLT, 5/16IN X 3/4IN HEX HEAD G5 FT	4
1	2-50005	NUT, 5/16-18 KEPS	4
2	16257	BEZEL, LH ROUND	1
3	16256	BEZEL, RH ROUND	1
4	16329-2	WDMT, BUMPER TW	1
5	2-50150	BOLT, 5/16-18 X 1 HEX HEAD G5	4
6	2-70210	1.75IN ROUND TUBING PLUG-BLACK	2
7	16240	SHOCK, 80MM TRAVEL, SILVER RING	2
8	2-50400	BOLT, 10 X 1.5 X 43MM	2
9	2-50225	BOLT, 3/8IN X 8IN G8 (YELLOW)	4
10	2-50212	BOLT, 3/8IN X 3-1/4IN HEX HEAD G5-ZINC	4
11	2-51102	BUSHING, OIL IMPREGNATED-BRONZE 0.636 IN	22
12	2-10048	SPINDLE MOUNT DOM, .0625INX0.385INX 2.24	4
13	2-18015	UTV, SPINDLE MOUNT	2
14	2-50010	NUT, 3/8-16 NYLOCK	2
15	2-10049	SPINDLE MOUNT DOM, .0625INX 0.385INX 7.5	2
16	16145-2	SPINDLE, 2WD RIGHT - BLACK	1
17	16146-2	SPINDLE, 2WD LEFT - BLACK	1
18	2-50097	BOLT, 3/8IN X 8.5IN HH G5	2
19	2-30620	HUB, GREASE SEAL 1IN (2INOD), 1/4IN WIDE	2
20	2-11205	BEARING, UTV FRONT HUB	4
21	2-30604	HUB, 4 BOLT HIGH SPEED 1FT COMPLETE-UTV	2
21a	2-25018	WHEEL STUD, 1/2 -20 X 1 5/8"	4
22	2-30150	ASM, 25X11-12 TIRE / WHEEL <b>RH</b> - GBLK <b>FRONT &amp; REAR</b>	2
23	2-30622	HUB, UTV-CASTLE NUT	2
24	2-30621	HUB-UTV-COTTER PIN	2
25	2-30623	HUB, UTV-DUST CAP	2
26	2-50060	NUT, 1/2IN LUG/WHEEL	8
27	2-42114	A-ARM DOM, 0.625INX 0.385INX 6.938IN	4
28	2-50010	NUT, 3/8-16 NYLOCK	10
29	16132-2	A-ARM UPPER, 2WD - BLACK	1
30	16131-2	A-ARM LOWER, 2WD - BLACK	1
31	2-10521	STEERING, RACK & PINION (9475M)	1
31a	2-10593	RACK BOOT, 2WD & 4WD	2
31b	2-10589	TIE ROD END, TEFLON	2
32	2-10526	SHAFT, STEERING - UNIVERSAL	1
33	2-50013	NUT, 3/8 KEPS	4
34	16734-2	WDMT, STEERING COLUMN - BLK	1
35	2-50010	NUT, 3/8-16 NYLOCK	2
36	2-50708	WASHER, 0.642IN ID X 1IN OD - WAVE	1
37	2-18170	STEERING HUB SHAFT	1
38	14845	STEERING WHEEL - 200S	1
39	14846	CAP, STEERING WHEEL BLK - 200S	1
40	2-50636	BOLT, 1/4IN X 3/4IN SOCKET HEAD (SS)	6
41	2-50001	NUT, 1/4-20 NYLOCK	6
42	16460	CONSOLE, 2WD CENTER - MATTE BLK	1
43	2-50624	SCREW, #10 X 3/4IN HEX WASHER BLUNT-BLK	19
44	16342	HEADLIGHT, LED SQUARE	2
45	16341	HEADLIGHT, LED ROUND	2



GAS POWERED

2WD UTILITY VEHICLE CHASSIS - FRONT

NOTE: parts denoted as left hand (LH) or right hand (RH) are from driver's point of view.

REFERENCE NUMBER	PART NUMBER	PART DESCRIPTION	QUANTITY REQUIRED
46	2-50624	SCREW,#10 X 3/4IN HEX WASHER BLUNT-BLK	2
47	16707	COVER; TERMINAL BLOCK	1
48	2-30149	ASM, 25X11-12 TIRE / WHEEL <b>LH</b> - GBLK <b>FRONT &amp; REAR</b>	2
49	2-50065	NUT, 10 MM x 1.5 NYLOCK	2
50	2-50171	BOLT, 5/16IN-18 X 3-3/4IN HH G5	4
51	16786	PLATE, HEAT SHIELD - FWD	1
52	16787	PLATE, HEAT SHIELD - REAR	1
53	15823	NUT, CLIP ON TAPPED - M6 X 1.0	8
54	14426	BOLT, M6 X 1.00 X 14 FCHS	8



GAS POWERED

2WD UTILITY VEHICLE CHASSIS - FRONT CONTINUED

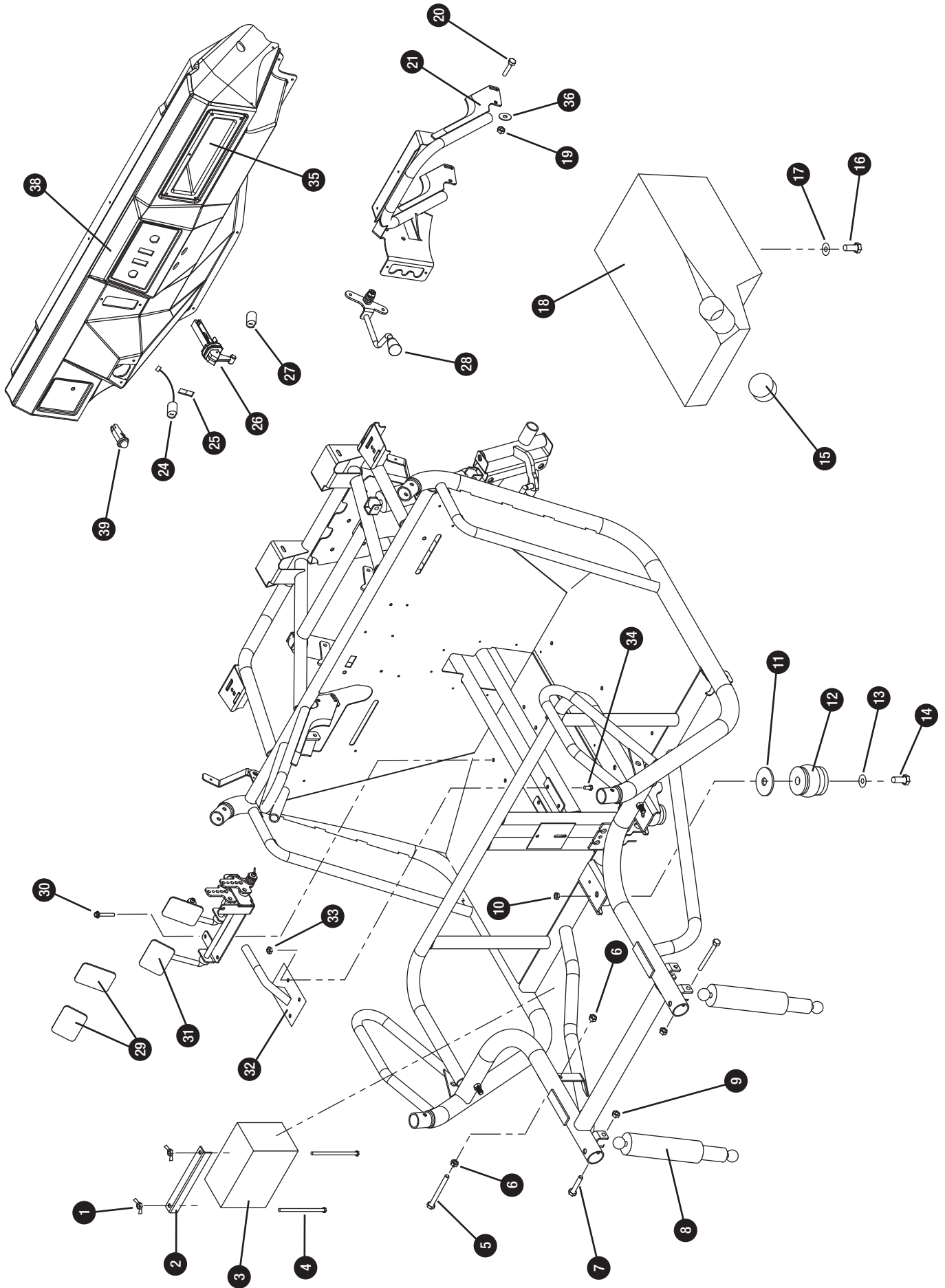


# Trail Wagon™ TW450

with electronic fuel injection

## CHASSIS - REAR 2WD

ILLUSTRATED PARTS LIST



publish date: 10/16/17

NOTE: parts denoted as left hand (LH) or right hand (RH) are from driver's point of view.

REFERENCE NUMBER	PART NUMBER	PART DESCRIPTION	QUANTITY REQUIRED
1	2-50002	NUT, 1/4IN WING NUT	2
2	2-45414	BATTERY CLAMP BAR	1
3	2-69998	BATTERY, U1L-HDJ7-UTV	1
4	2-50083	BOLT, 1/4IN X 7-1/2IN HEX HEAD G5	2
5	2-50208	BOLT, 3/8IN X 2-1/2IN HEX HEAD G5	1
6	2-50013	3/8 KEPS NUT	2
7	2-50400	BOLT, 10 X 1.5 X 43MM	2
8	16241	SHOCK, 80MM GOLD RING	2
9	2-50065	NUT, 10 MM x 1.5 NYLOCK	2
10	2-50061	NUT, 1/2-13 NYLOCK	2
11	16753	SPACER, .531" ID 2.0" OD .25" THICK	2
12	16258	AUXILIARY, JOUNCE BUMPER	2
13	2-50720	WASHER, 1/2IN SAE FLAT	2
14	16754	BOLT, 1/2-13 X 2.0 HHCS FT GRADE 5	2
15	2-55066	CAP, FUEL	1
16	2-50163	BOLT, 5/16IN X 3/4IN HEX HEAD G5	3
17	2-50701	WASHER, 5/16 SAE FLAT	3
18	2-55077	TANK, FUEL - 5 GALLON	1
-	2-55063	ELBOW FUEL INLET W/ #200 MESH SCREEN	1
-	2-55062	FUEL FITTING GROMMET	1
19	2-50005	NUT, 5/16-18 KEPS	4
20	2-50157	BOLT, 5/16IN X 3/4IN HEX HEAD G5 FT	2
21	16340-2	WDMT, DASH SPPT BOOST - BLACK	1
24	16833	IGNITION KEY SWITCH (WITH 2 KEYS)	1
-	16836	KEY, IGNITION REPLACEMENT – SET OF 2 <b>(Serial numbers 74798 and higher)</b>	2
-	2-70092	KEY, IGNITION REPLACEMENT – SET OF 2 <b>(Serial numbers up to but not including 74798)</b>	2
25	2-70066	SWITCH, ROCKER PRINTED (HEADLIGHTS)	1
26	16452	LEVER, DIFFERENTIAL LOCK ASSEMBLY	1
27	2-70080	OUTLET, ACCESSORY-12V DC POWER	2
27	2-70081	CAP, RUBBER-FOR OUTLET SOCKET	2
28	16359	WDMT, SHIFTER LEVER	1
29	2-70261	PAD, RUBBER - PEDAL	2
30	2-50157	BOLT, 5/16IN X 3/4IN HEX HEAD G5 FT	4
31	16136-2	PEDAL ASSEMBLY, 2WD - BLACK - SEE SPEC	1
32	2-11127	BRAKE, PARKING-UTV	1
33	2-50005	NUT, 5/16-18 KEPS	4
34	2-50163	BOLT, 5/16IN X 3/4IN HEX HEAD G5	4
35	16461	BOX, GLOVE - UTV - MATTE BLK	1
36	2-50704	WASHER, 5/16IN USS FLAT	2
37	2-50740	WASHER, 3/8IN USS FLAT WASHER	2
38	16790	DASH, UPPER - 450 EFI	1
39	2-70134	LIGHT, 12V LED INDICATOR	1



GAS POWERED

2WD UTILITY VEHICLE CHASSIS - REAR



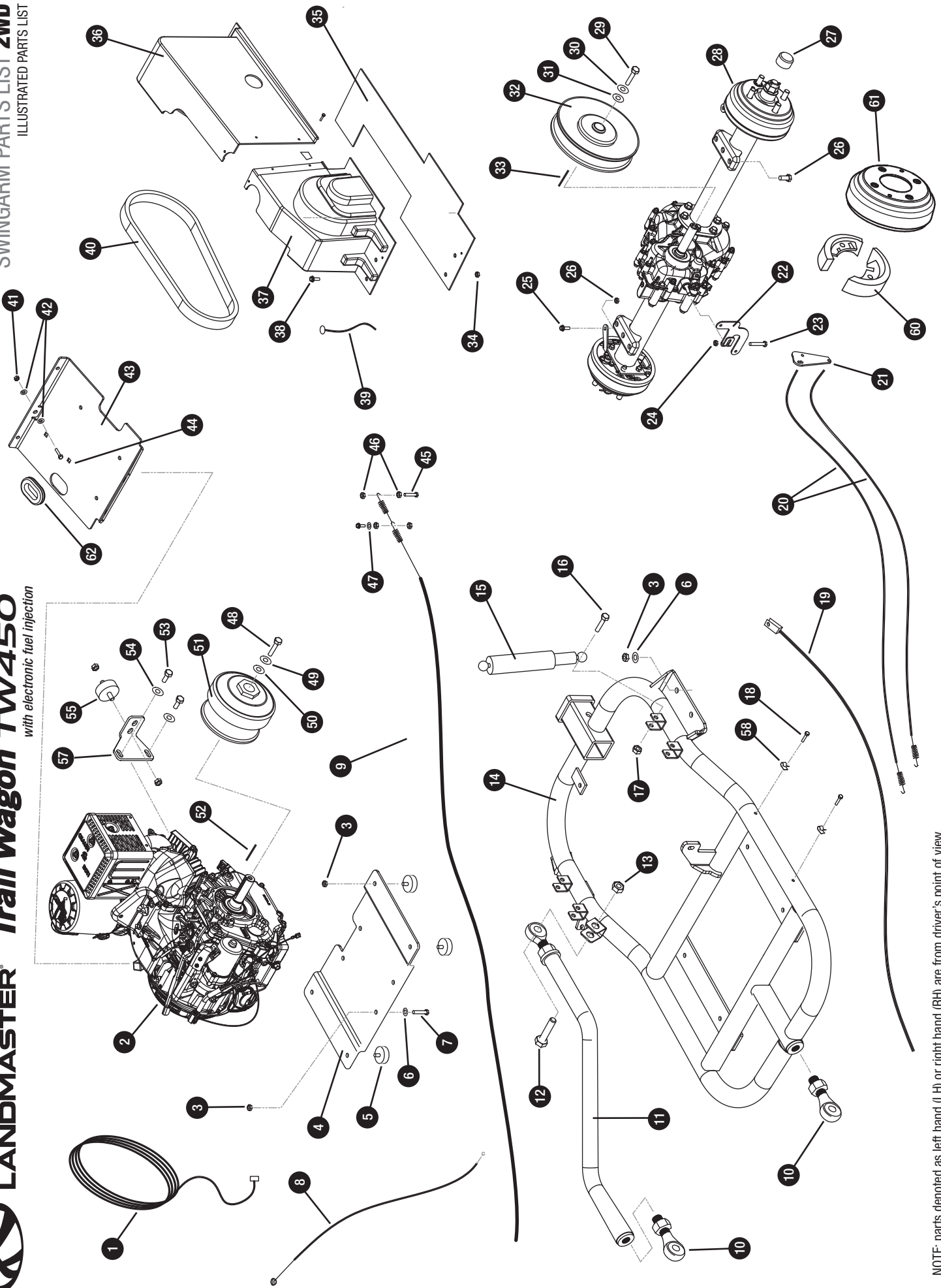


**AMERICAN  
LANDMASTER**

**Trail Wagon™ TW450**

*with electronic fuel injection*

**SWINGARM PARTS LIST 2WD**  
ILLUSTRATED PARTS LIST



publish date: 10/16/17

NOTE: parts denoted as left hand (LH) or right hand (RH) are from driver's point of view.

**2WD UTILITY VEHICLE SWINGARM**

**GAS POWERED**

NOTE: parts denoted as left hand (LH) or right hand (RH) are from driver's point of view.

REFERENCE NUMBER	PART NUMBER	PART DESCRIPTION	QUANTITY REQUIRED
1	16769	HARNES, WIRING - 440 EFI	1
2	16755	KIT, ENGINE INSTALL KOHLER ECH440*	1
2	16796	ENGINE, KOHLER ECH440	1
3	2-50010	NUT, 3/8-16 NYLOCK	18
4	2-18007	UTV, MOTOR PLATES-UTILITY-REV E	1
5	2-70252	RUBBER, #70 VIBRATION ISOLATORS-MTR MNTS	4
6	2-50740	WASHER, 3/8IN USS FLAT WASHER	8
7	2-50202	BOLT, 3/8IN X 1-3/4IN HEX HEAD G5	4
8	2-11011	THROTTLE CABLE	1
9	16330	CABLE, DIFFERENTIAL - STD CAB	1
10	2-10583	ROD END, HIGH MISALIGNMENT	3
11	16124-2	BAR, SUSPENSION LOCATING-UTV-BLACK	1
12	2-50280	BOLT, 3/4IN X 2-1/2IN-HH G5-FT	1
13	2-50020	NUT, 3/4-16 NYLOCK	1
14	16807-2	WELDMENT, SWINGARM 2WD EFI	1
15	16241	SHOCK, 80 MM TRAVEL, 325 EXT; BR2	2
16	2-50400	BOLT, 10 MM X 1.5 X 43 MM HEX HEAD	2
17	2-50065	NUT, 10 MM x 1.5 NYLOCK	2
18	16578	BOLT, 5/16"-18 X 3/4 THREAD CUT - HEX	4
19	2-11103	BRAKE CABLE 47 IN-UTV	2
20	16437	CABLE, SHIFTER - STD CAB	2
21	2-18011	UTV, SHIFTER BRACKET-TRANSMISSION (REV C)	1
22	2-18012	UTV, SHIFTER LEVER-TRANSMISSION (REV D)	1
23	2-50085	BOLT, 1/4IN X 1-1/2IN HEX HEAD G5	1
24	2-50068	NUT, 1/4IN NYLOCK	1
25	2-50150	BOLT, 5/16-18 X 1 HEX HEAD G5	2
26	2-50007	NUT, 5/16-18 NYLOCK	2
27	2-70209	CAP, VINYL-1-1/2IN X 1-1/2IN MC#9753K72-	2
28	2-20833	AXLE ASSM, W/ LOCKING DIFF (012AJ396)	1
29	2-50249	BOLT, 1/2IN-20 X 2.5 IN FT HH	1
30	2-50722	WASHER, 1/2IN LOCK WASHER	1
31	2-50720	WASHER, 1/2IN SAE FLAT	1
32	16541	DRIVEN, CVT - 4X2	1
33	2-10191	KEYSTOCK, 3/16 X 3/16 X 3-1/4-CVTECH DRI	1
34	2-50053	NUT, #10-24 KEPS NUT	6
35	16515	GUARD, BELT BTM - 2WD	1
36	16514	GUARD, BELT REAR - 2WD	1
37	16513	GUARD, BELT FRNT - 2WD	1
38	2-50616	SCREW, #10-24 X 3/4IN PAN HEAD-PHILLIPS	6
39	16537	CABLE TIE, BUTTON HEAD	1
40	2-20694	BELT, DRIVE	1
41	2-50001	NUT, 1/4-20 NYLOCK	3
42	2-50717	WASHER, 1/4IN SAE FLAT WASHER	6
43	16778-2	PLATE, THROTTLE GUARD - ECH440	1
44	2-50087	BOLT, 1/4-20 X 1	3
45	2-50085	BOLT, 1/4IN X 1-1/2IN HEX HEAD G5	2
46	2-50000	NUT, 1/4IN KEPS	4
47	2-50717	WASHER, 1/4IN SAE FLAT	2
48	2-50304	BOLT, 7/16IN X 5IN G5	1
49	2-50793	WASHER, 7/16IN LOCK	1



GAS POWERED

2WD UTILITY VEHICLE SWINGARM



**NOTE: parts denoted as left hand (LH) or right hand (RH) are from driver's point of view.**

REFERENCE NUMBER	PART NUMBER	PART DESCRIPTION	QUANTITY REQUIRED
50	2-50744	WASHER, 7/16IN FENDER X 1-1/2IN OD .125	1
51	16539	DRIVER, CVT - 4X2 WITH 25" TIRES	1
52	2-10190	KEYSTOCK, 3/16 X 1/4 X 1-1/2-CV TECH DRI	1
53	2-50157	BOLT, 5/16IN X 3/4IN HEX HEAD G5 FT	2
54	2-50704	WASHER, 5/16IN USS FLAT	2
55	2-70252	RUBBER, #70 VIBRATION ISOLATORS-MTR MNTS	1
57	2-18061	UTV, TENSION MOUNT	1
58	16708	CLAMP, "P" - 5/8" BUNDLE; 3/8" BOLT	4
60	16279	BRAKE SHOES & LINING - 2WD (kit includes 4 shoes to cover both rear wheels)	1
61	2-11191	BRAKE DRUM Replacement #012WA123	2
62	2-70237	RUBBER, ROUTE & CLIP GROMMET 1.5"	1
N/S	16793	BOLT, M8 SHOULDER, 10MM LONG, M6 X 1 (FOR RETURN SPRING)	1
N/S	16831	SPRING - THROTTLE RETURN ECH440	1

\* For complete repower; includes engine, fuel pumps, fuel filter, high pressure hose, oxygen sensor, regulator.



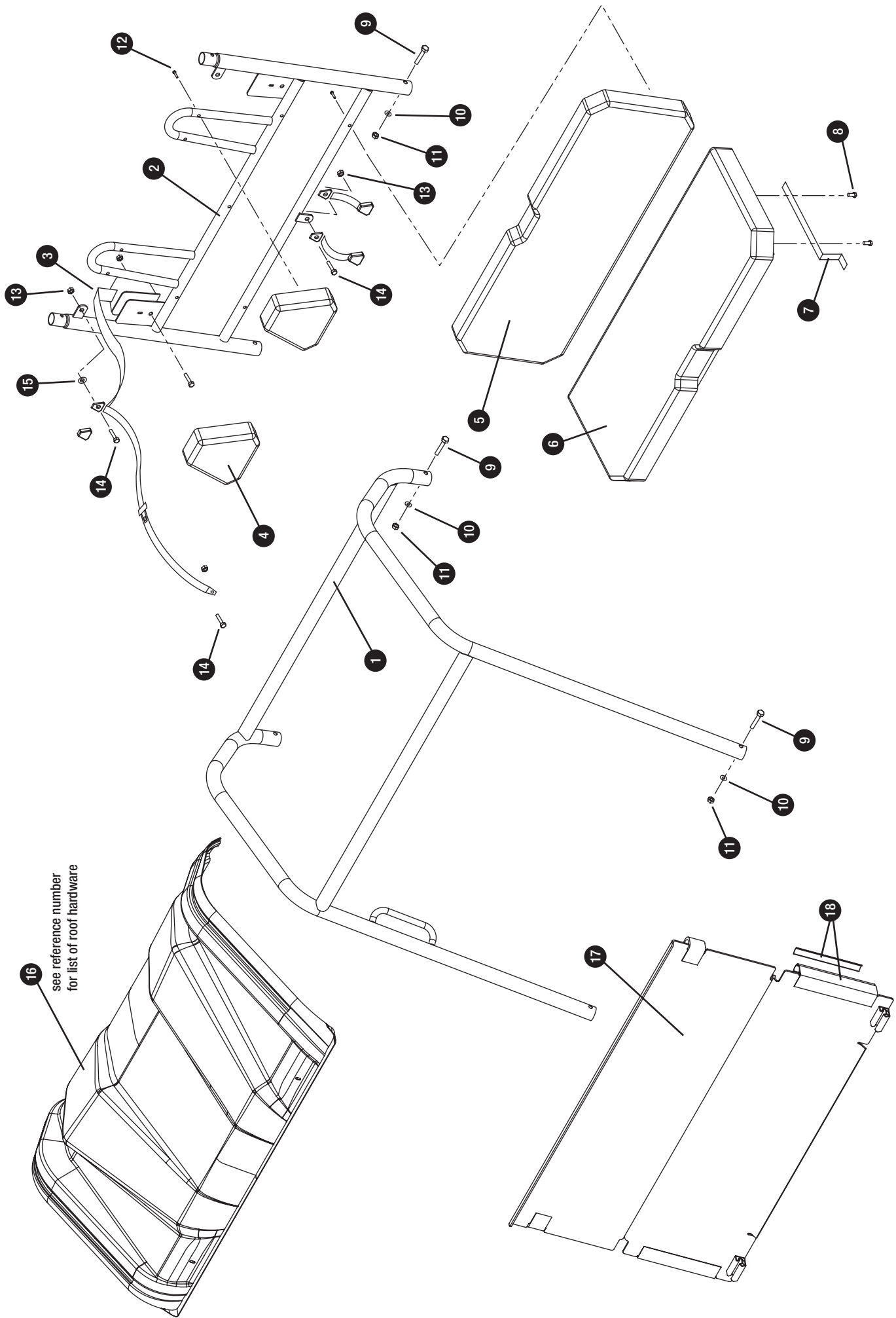
**GAS POWERED**

**2WD UTILITY VEHICLE SWINGARM CONTINUED**



**AMERICAN LANDMASTER Trail Wagon™ TW450**  
with electronic fuel injection

**BARS / SEATS / BELTS 2WD**  
ILLUSTRATED PARTS LIST



16 see reference number for list of roof hardware

NOTE: parts denoted as left hand (LH) or right hand (RH) are from driver's point of view.

REFERENCE NUMBER	PART NUMBER	PART DESCRIPTION	QUANTITY REQUIRED
1	16222-2	WDMT, OH A PILLAR - BLK	1
2	16223-2	WDMT, OH B PILLAR- BLK	1
3	14786	SEATBELT, RETRACTABLE	2
4	16326	CUSHION, HEADREST	2
5	16325	CUSHION, SEAT BACK	1
6	16324	CUSHION, SEAT BOTTOM	1
7	16294-2	BRKT, SEAT HINGE	2
8	2-50087	BOLT, 1/4-20 X 1	4
9	2-50172	BOLT, 5/16IN X 2IN SOCKET HEAD	6
10	2-50702	WASHER, 5/16IN TUBE FIT (BENT)	6
11	2-50007	NUT, 5/16-18 NYLOCK	6
12	16679	SCREW, 1/4-20 X 1.75 FTPMS	9
13	15982	NUT, M12 X 1.75 FLANGE TOP LOCK	2
14	15829	BOLT, M12 X 1.75 X 25 FHCS	2
15	2-50721	WASHER, 1/2 USS FLAT	2
16	16366	HARD PLASTIC ROOF (ENTIRE KIT)	1
-	16499	HARD PLASTIC ROOF HARDWARE KIT (ALL HARDWARE - INDIVIDUAL CONTENTS BELOW)	1
-	2-50847	TUBE CLAMP-VINYL COATED 1-3/4IN	5
-	2-50715	¼ FLAT WASHERS	5
-	15108	¼ FLAT RUBBER BACKED WASHERS	5
-	15151	¼ TORX HEAD BOLTS	5
-	2-50001	¼ NYLOCK NUTS	5
-	15078	3' RUBBER SEAL	2
17	16575	FOLDING HARD WINDSCREEN (ENTIRE KIT)	1
18	16864	HARD PLASTIC WINDSCREEN MOUNTING CLIP (INCLUDES CLIP RETAINER)	2



2WD UTILITY VEHICLE BARS / SEATS / BELTS

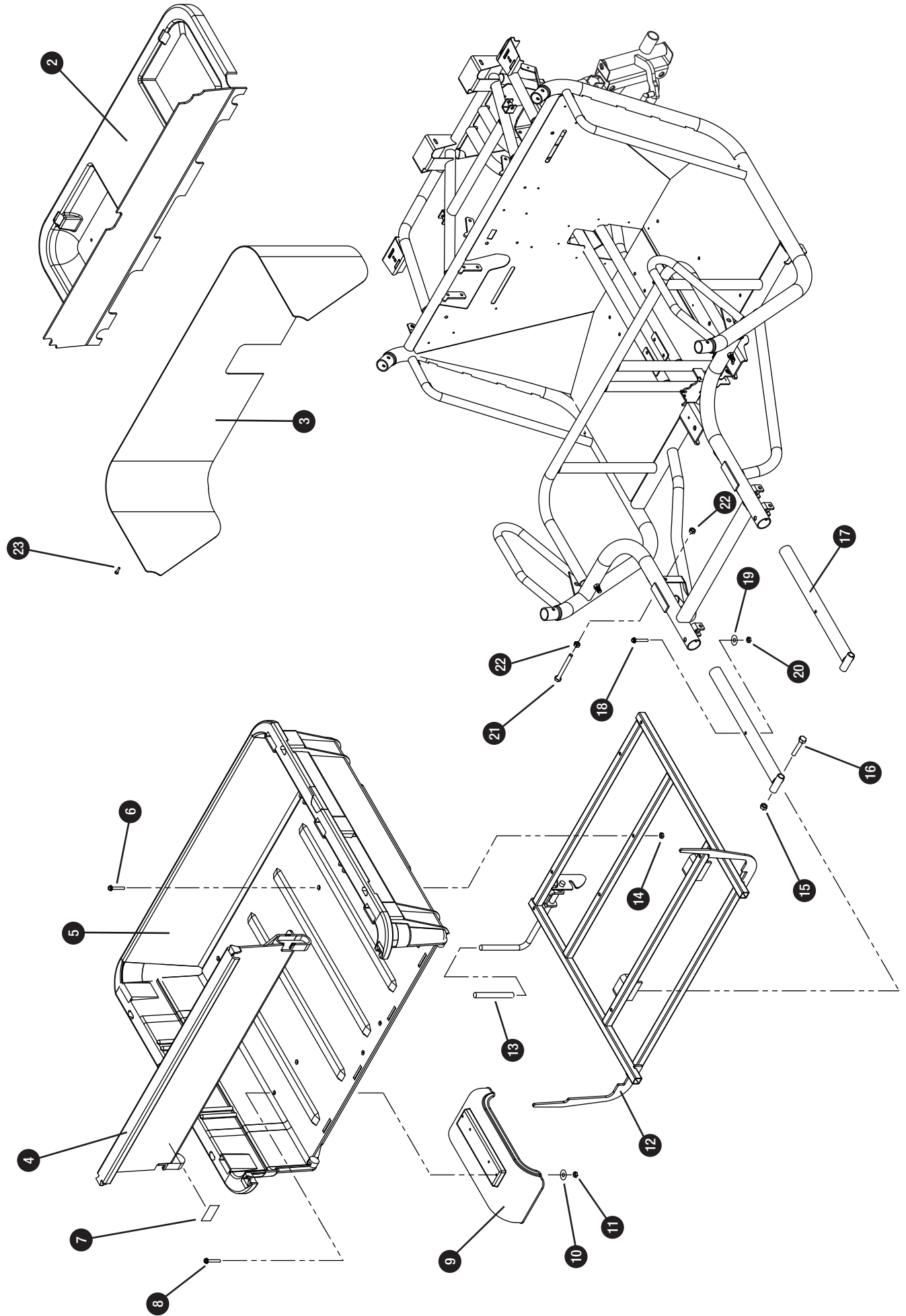


# AMERICAN LANDMASTER Trail Wagon™ TW450

with electronic fuel injection

## BED / PLASTICS 2WD

ILLUSTRATED PARTS LIST



publish date: 10/16/17

NOTE: parts denoted as left hand (LH) or right hand (RH) are from driver's point of view.

REFERENCE NUMBER	PART NUMBER	PART DESCRIPTION	QUANTITY REQUIRED
2	16463	TRAY, UNDERSEAT STORAGE	1
3	16459	SURROUND, 2WD SEAT	2
4	2-18357	TAILGATE, UTV	1
5	2-18356	BED, POLY DUMP	1
6	2-50092	BOLT, 1/4IN X 2IN HH G5	4
7	2-70150	REFLECTOR, UTV RED	2
8	2-50087	BOLT, 1/4IN X 1IN	4
9	16458	FENDER, REAR	2
10	2-50717	WASHER, 1/4IN SAE FLAT	4
11	2-50001	NUT, 1/4-20 NYLOCK	4
12	16117-2	FRAME, BED - BLK	1
13	2-70241	TUBE, RUBBER HANDLE	1
14	2-50001	NUT, 1/4-20 NYLOCK	4
15	2-50015	NUT, 5/8-11 NYLOCK	2
16	2-50255	BOLT, 5/8IN X 4IN G8-PLATED	2
17	16122-2	HINGE EXTENSION - BLK	2
18	2-50172	BOLT, 5/16IN X 2IN SOCKET HEAD	2
19	2-50702	WASHER, 5/16IN TUBE FIT (BENT)	2
20	2-50007	NUT, 5/16-18 NYLOCK	2
21	2-50208	BOLT, 3/8IN X 2-1/2IN HEX HEAD G5	1
22	2-50013	NUT, 3/8 KEPS	2
23	16961	SCREW, #10 X 1/2IN T20 C-SUNK TEK-BLK	5
24	2-18413	BED BUMPER 1.5 INCH (RUBBER)	2



GAS POWERED

2WD UTILITY VEHICLE BED / PLASTICS

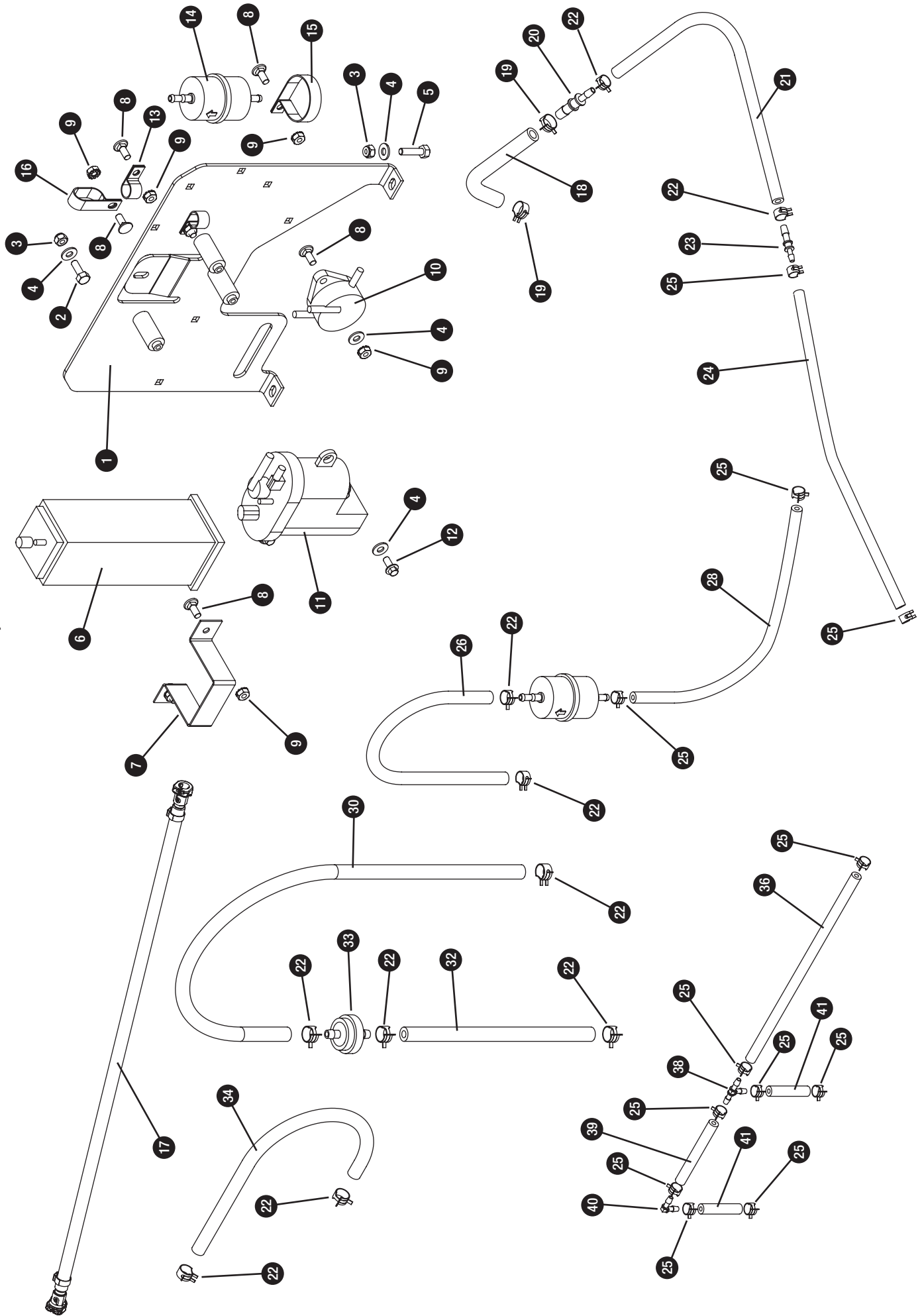


# Trail Wagon™ TW450

with electronic fuel injection

## FUEL DELIVERY 2WD

ILLUSTRATED PARTS LIST



publish date: 10/16/17





NOTE: parts denoted as left hand (LH) or right hand (RH) are from driver's point of view.

REFERENCE NUMBER	PART NUMBER	PART DESCRIPTION	QUANTITY REQUIRED
1	16806-2	WDMT/ASM, FUEL PUMP MOUNTING - BLK	1
2	2-50084	BOLT, 1/4IN X 3/4IN HEX HEAD G5	1
3	2-50001	NUT, 1/4-20 NYLOCK	3
4	2-50717	WASHER, 1/4IN SAE FLAT	8
5	2-50087	BOLT, 1/4IN X 1IN	2
6	2-55067	CANISTER, CARBON	1
7	2-18153	BRACKET, CANISTER - CARBON	1
8	2-50091	BOLT, 1/4IN-20 X 3/4 CARRIAGE	8
9	2-50000	NUT, 1/4"-20 KEPS	8
10	16757	MODULE, VACUUM PULSE FUEL PUMP	1
11	16756	MODULE, ELECTRIC FUEL PUMP	1
12	14426	BOLT, M6 X 1.00 X 14 FHCS	3
13	16712	CLAMP, "P" - 9/16" BUNDLE; 1/4" BOLT	2
14	16760	FILTER, FUEL - KOHLER	1
15	16826	CLAMP, "P" - 1.687" BUNDLE; 1/4" BOLT	1
16	16804	CLAMP, "P" - 5/8" BUNDLE X 2; 1/4" BOLT	1
17	16758	ASM, HIGH PRESSURE FUEL DELIVERY	1
18	OBD**	UTV, FUEL LINE 3/8" - SAE 30R7 - BLACK - 6"	1
19	16803	CLAMP, FUEL HOSE- 5/8"	2
20	16799	COUPLER, FUEL LINE 3/8" - 1/4"	1
21	OBD**	UTV, FUEL LINE 1/4" - SAE 30R7 - BLACK - 15"	1
22	16802	CLAMP, FUEL HOSE- 1/2"	10
23	2-65502	COUPLER, FUEL LINE 1/4 IN-3/16 IN	1
24	OBD**	UTV, FUEL LINE 3/16" - SAE 30R7 - BLACK - 14"	1
25	2-50853	CLAMP, FUEL HOSE- 7/16IN	12
26	OBD**	UTV, FUEL LINE 1/4" - SAE 30R7 - BLACK - 14"	1
28	OBD**	UTV, FUEL LINE 3/16" - SAE 30R7 - BLACK - 14"	1
30	OBD**	UTV, FUEL LINE 1/4" - SAE 30R7 - BLACK - 22"	1
32	OBD**	UTV, FUEL LINE 1/4" - SAE 30R7 - BLACK - 8"	1
33	16834	FILTER, PULSE LINE - FUEL PUMP	1
34	OBD**	UTV, FUEL LINE 1/4" - SAE 30R7 - BLACK - 12"	1
36	OBD**	UTV, FUEL LINE 3/16" - SAE 30R7 - BLACK - 11"	1
38	16800	TEE, FUEL LINE 3/16'	1
39	OBD**	UTV, FUEL LINE 3/16" - SAE 30R7 - BLACK - 3.5"	1
40	16801	ELBOW, FUEL LINE 3/16"	1
41	OBD**	UTV, FUEL LINE 3/16" - SAE 30R7 - BLACK - 2"	2

\*\* ORDER BY DESCRIPTION (OBD): Item is created from bulk materials.



7625 DiSalle Boulevard  
Fort Wayne IN 46825

62194 Commercial Street  
Roseland, LA 70456

Toll Free 800-643-7332  
Fax 800-399-1399  
[www.americanlandmaster.com](http://www.americanlandmaster.com)