

ORDERING PARTS

FAST & EASY!

LOWEST PRICES!

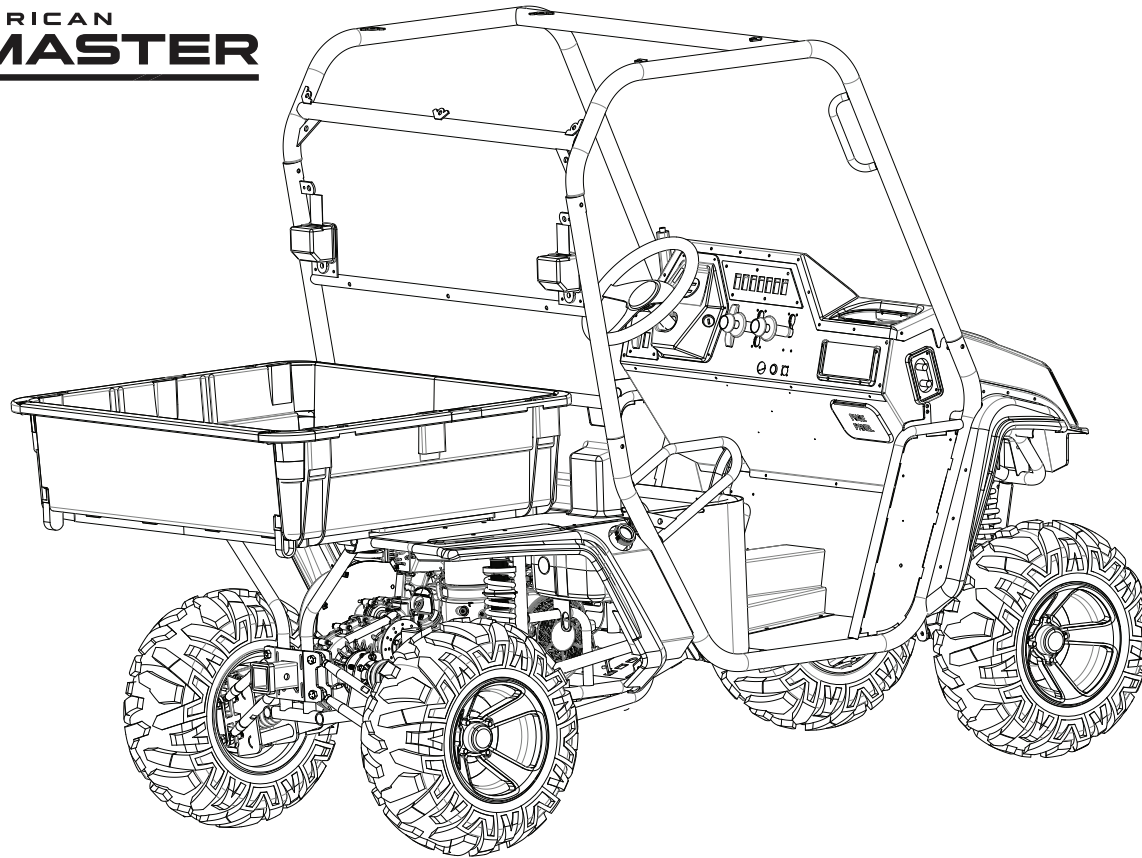
- 1) Seek Part(s) from your models illustrated diagram, cross over REF# to PART#
- 2) Type PART# into sites [Search Box] at GoKartsRus.com TIP! - RIGHT CLICK LINK, SELECT OPEN IN NEW TAB
- 3) Add all needed parts to Shopping Cart | Complete "Checkout" | ✓ Done!

If a part does not come up in a Site Search, please [Contact Us](#) (include part# in email)

4x2 (Model: L4) MODEL YEAR 2021



AMERICAN
LANDMASTER



ILLUSTRATED PARTS LIST

This Illustrated Parts List covers the following 2021 model American LandMaster made Utility Vehicles

Table of Contents

Section 1	Drivetrain	pages 1-9
Section 2	Rear Suspension	pages 10-19
Section 3	Front Suspension / Steering	pages 20-31
Section 4	Dash / Controls	pages 32-41
Section 5	Plastics / Seating	pages 42-74
Section 6	Decals	pages 75-76
Section 7	Tires	pages 77



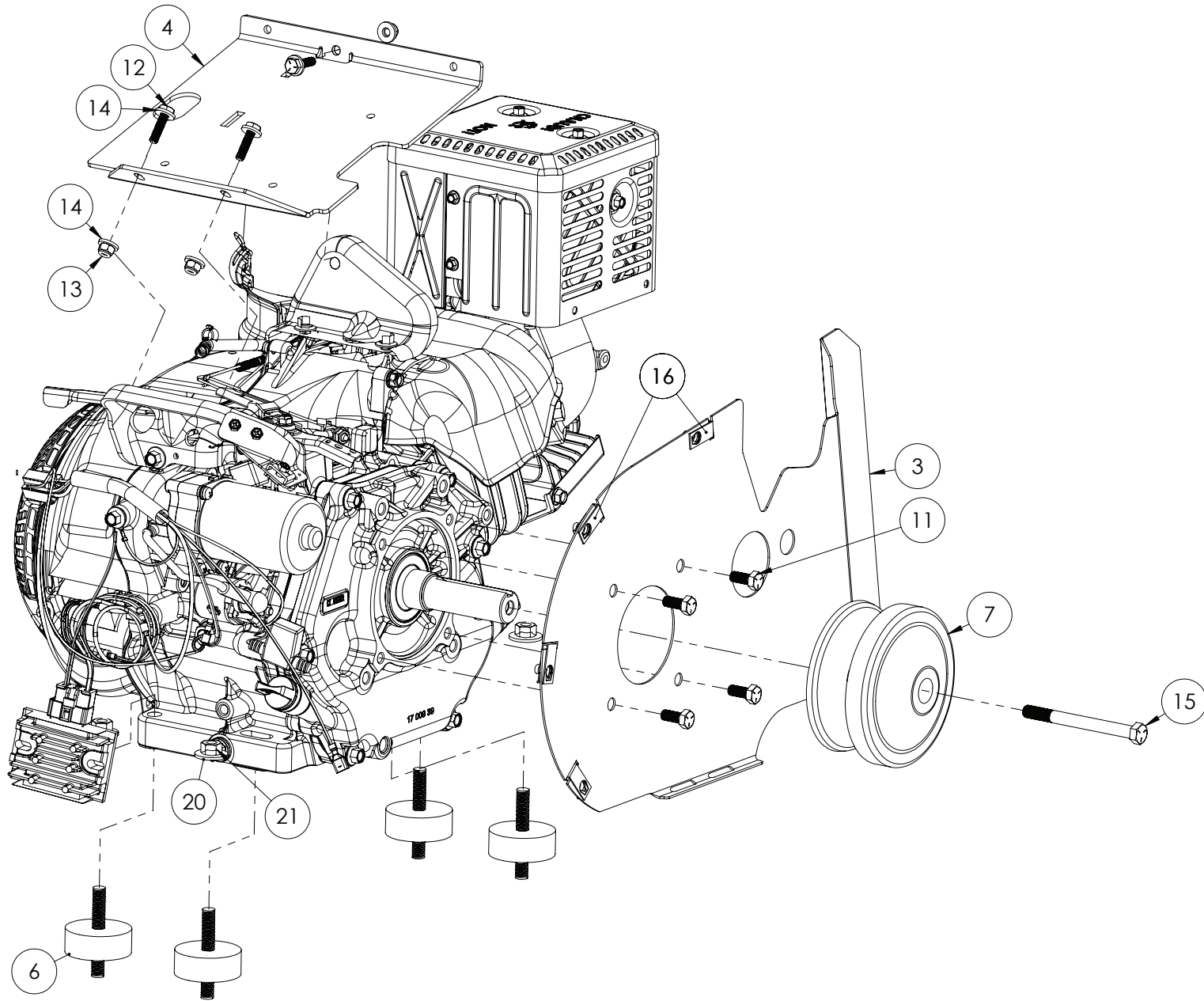
ILLUSTRATED PARTS LIST

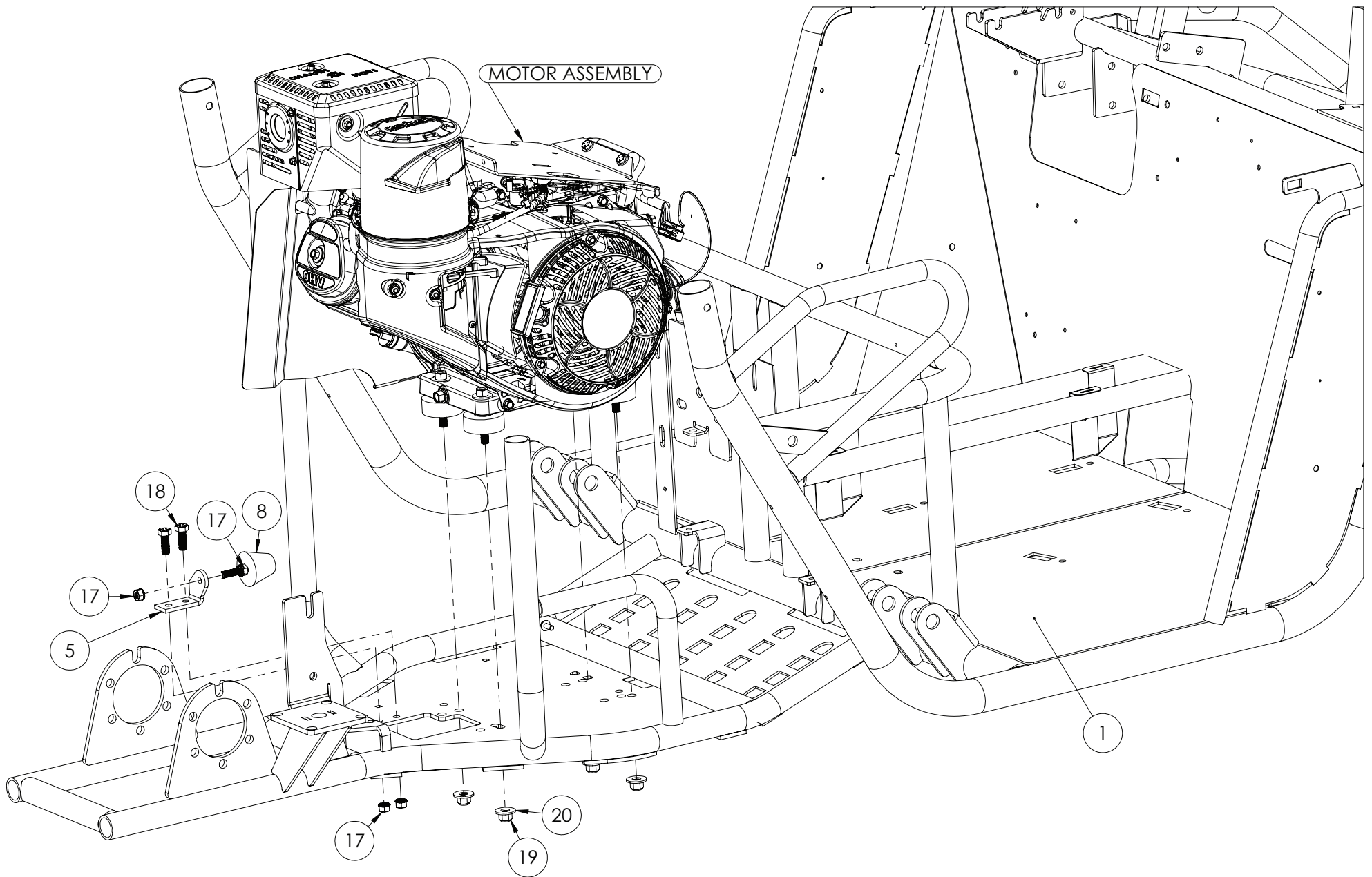
This Illustrated Parts List covers the following 2021 model American LandMaster made Utility Vehicles

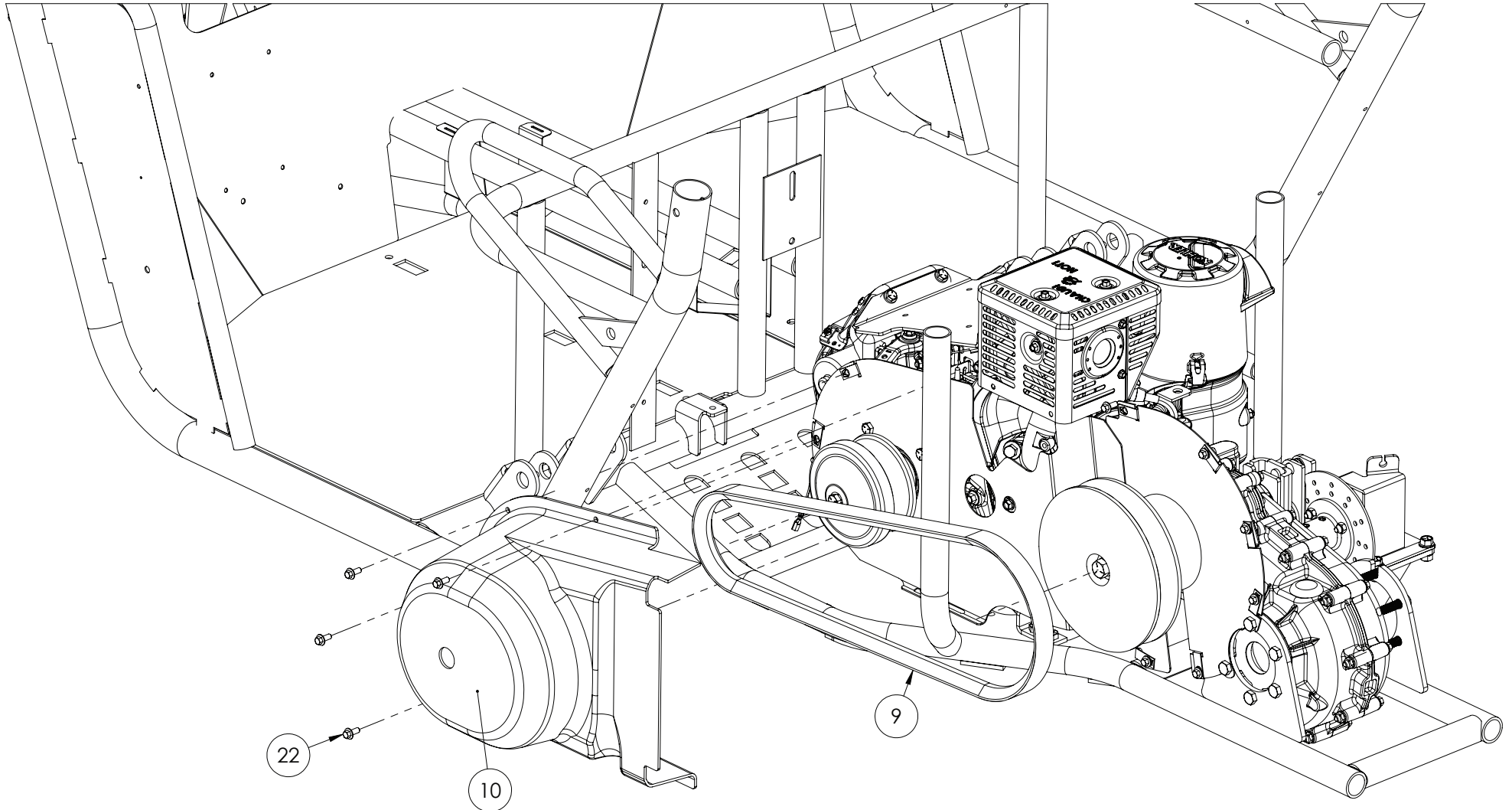
DRIVETRAIN

NOTE: Parts denoted as left hand (LH) are driver side. Parts denoted as right hand (RH) are passenger side.

REFERENCE NUMBER	PART NUMBER	PART DESCRIPTION	QUANTITY REQUIRED
1	18190-2	WDMT, FRAME IRS STD CHASSIS	1
2	16755	KIT, ENGINE INSTALL:KOHLER ECH440	1
3	18814-2	PLATE, BACK CV COVER-L4	1
4	17029	PLATE, THROTTLE GUARD	1
5	18900-2	BRKT, HORZ MNT - L4	1
6	18904	ISOLATOR, 70DUR	4
7	17816	DRIVER, CVT - BLACK DOT - 550	1
8	18976	ISOLATOR, RUBBER 68DUR	1
9	18118	BELT, CVT SMALL DRIVEN	1
10	18828	COVER, FRONT CVT - L4	1
11	2-50157	BOLT, 5/16IN-24 X 3/4IN HEX HEAD G5 FT	4
12	2-50087	BOLT, 1/4"-20 X 1"	3
13	2-50001	NUT, 1/4-20 NYLON LOCKING	6
14	2-50717	WASHER, 1/4IN SAE FLAT	6
15	2-50226	BOLT, 3/8IN W/TAPERED HEAD (CVTECH DRVR)	1
16	15823	NUT, CLIP ON TAPPED - M6 X 1.0; 11 GA MA	10
17	2-50005	NUT, 5/16-18 KEPS	7
18	2-50150	BOLT, 5/16-18 X 1 HEX HEAD G5	2
19	2-50010	NUT, 3/8-16 NYLOCK	4
20	2-50740	WASHER, 3/8IN USS FLAT WASHER	8
21	15442	NUT, 3/8"-16 HEX CENTERLOCK	4
22	14426	BOLT, M6 X 1.0 X 14	10

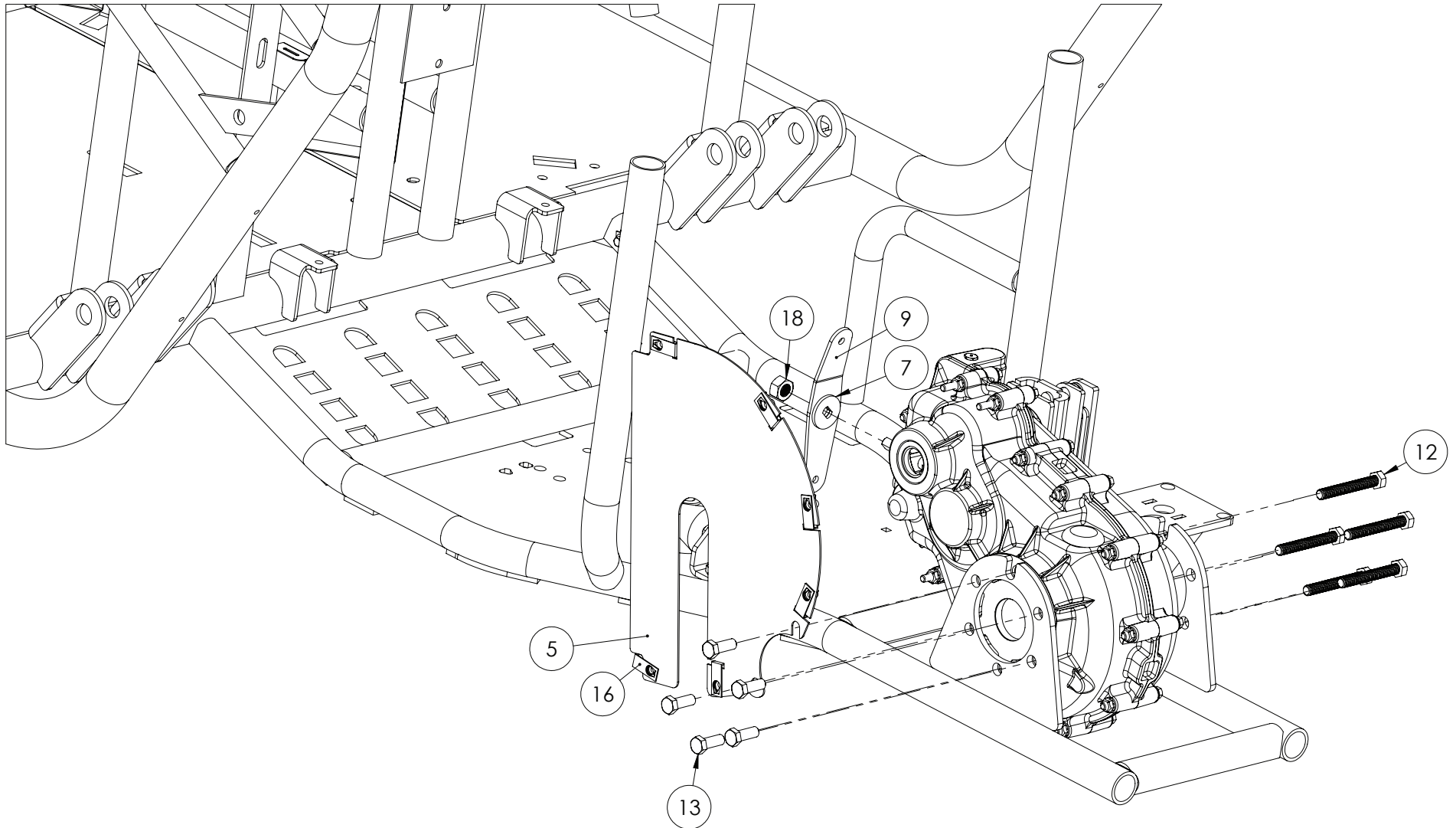


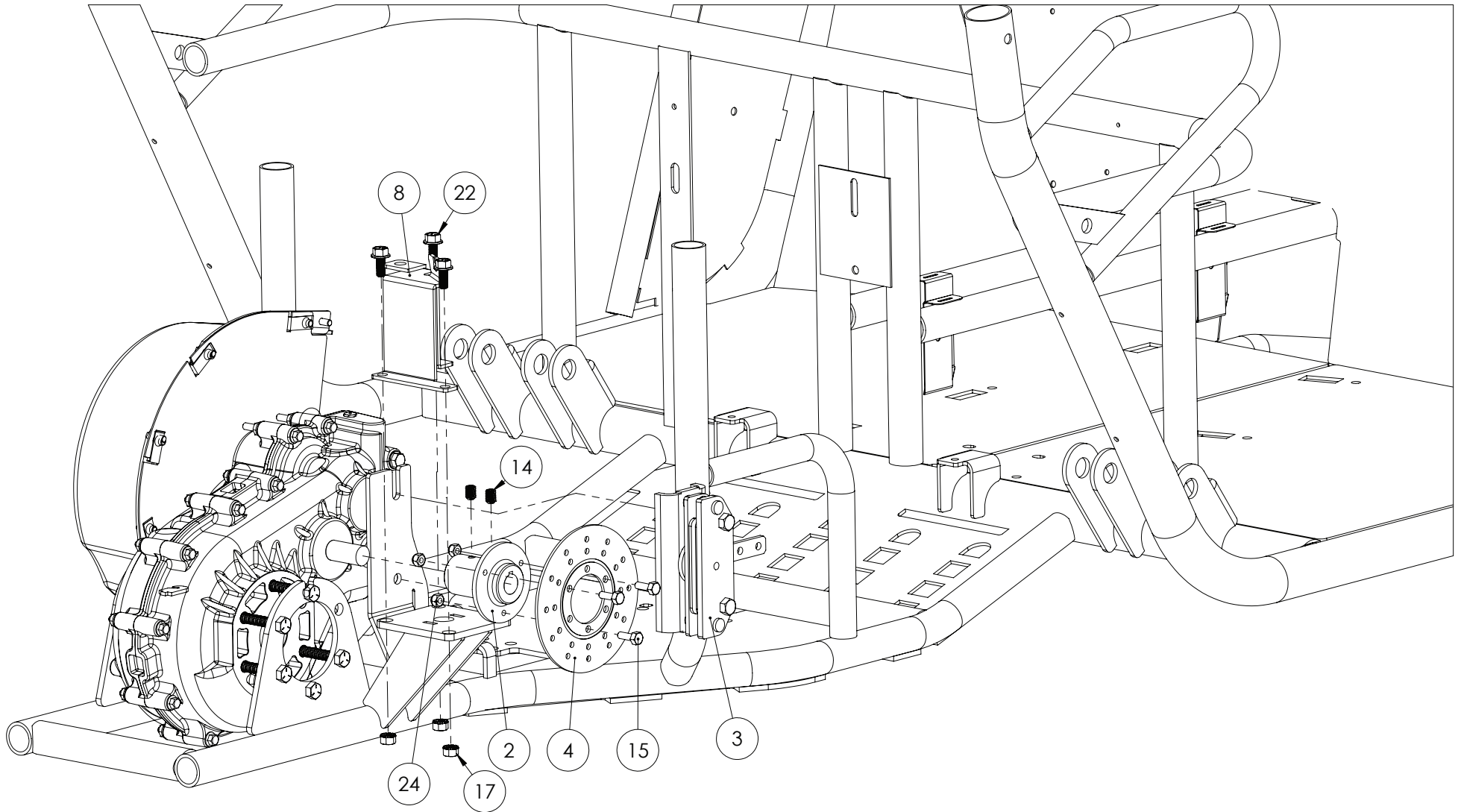


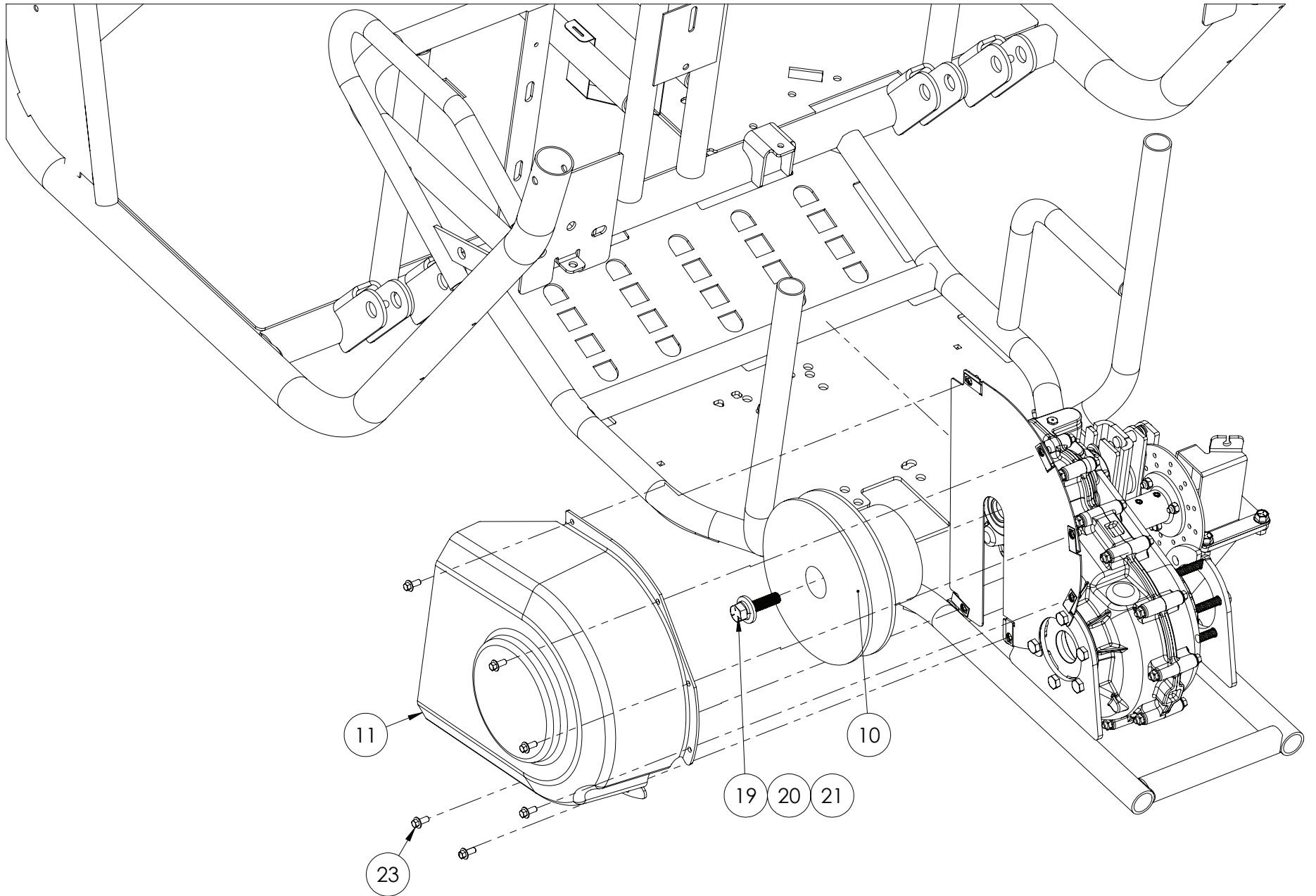


NOTE: Parts denoted as left hand (LH) are driver side. Parts denoted as right hand (RH) are passenger side.

REFERENCE NUMBER	PART NUMBER	PART DESCRIPTION	QUANTITY REQUIRED
1	18190-2	WDMT, FRAME IRS STD CHASSIS	1
2	17923	HUB, 4WD COUPLER / ROTOR MOUNT	1
3	17986	CALIPER, MECHANICAL AUSCO	1
4	18080	DISC, FRONT BRAKE - 7150	1
5	18795-2	PLATE, BACK CVT REAR	1
6	18057	AXLE, TRANSAXLE IRS 13.25:1	1
7	16830	SPACER, TRANSAXLE SHIFTER INPUT	1
8	18124	BRKT, DIFF LOCK 2WD	1
9	16623	BRACKET, SHIFTER INPUT	1
10	16541	DRIVEN, CVT - 4X2	1
11	18901	COVER, CVT REAR	1
12	19003	BOLT. 3/8 - 16 X 2.75IN	5
13	2-50206	BOLT, 3/8-16 X 1 HEX HEAD G5	5
14	19005	SCREW, SET 3/8-16 X 0.50 CUP POINT / PATCH LOK	2
15	2-50084	BOLT, 1/4"-20 x .75" BLK	3
16	15823	NUT, CLIP ON TAPPED - M6 X 1.0; 11 GA MA	10
17	2-50005	NUT, 5/16-18 KEPS	7
18	16868	NUT, M12 X 1.25 INTERFERENCE TOP LOCK	1
19	2-50239	BOLT, 1/2"-20 X 2" HH G5 FT	1
20	2-50722	WASHER, 1/2IN LOCK WASHER	1
21	2-50747	WASHER, 0.515IN X 1.25IN X 0.125IN	1
22	2-50100	BOLT, SERRATED 5/16" - 18 X 3/4"	3
23	14426	BOLT, M6 X 1.0 X 14	10
24	2-50001	NUT, 1/4-20 NYLON LOCKING	3









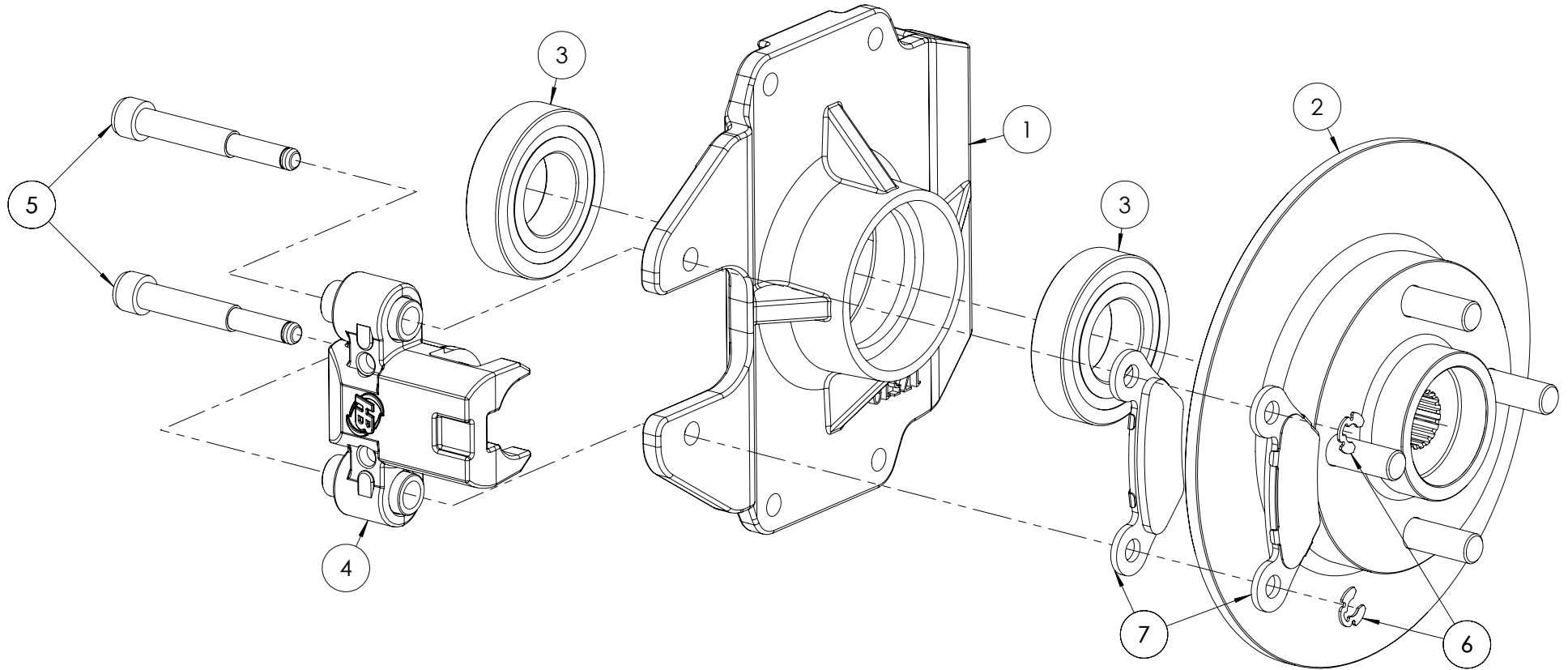
ILLUSTRATED PARTS LIST

This Illustrated Parts List covers the following 2021 model American LandMaster made Utility Vehicles

REAR SUSPENSION

NOTE: Parts denoted as left hand (LH) are driver side. Parts denoted as right hand (RH) are passenger side.

REFERENCE NUMBER	PART NUMBER	PART DESCRIPTION	QUANTITY REQUIRED
1	17510	HUB, REAR TRAILING ARM	1
2	2-25011	ROTOR, 8-3/4 IN - 4ON4 1/2-20 STUD	1
3	19284	BEARING, RADIAL 6207RS	2
4	2-11124	BRAKE CALIPER-RAZORBACK (99-22664)	1
5	2-11168	BRAKE MOUNT PINS-RAZORBACK (05-17221)	2
6	2-11169	BRAKE, RETAINING CLIPS-SMALL-RAZORBACK	2
7	2-11167	BRAKE PADS-RAZORBACK, TYPE 98 (33-23194)	2

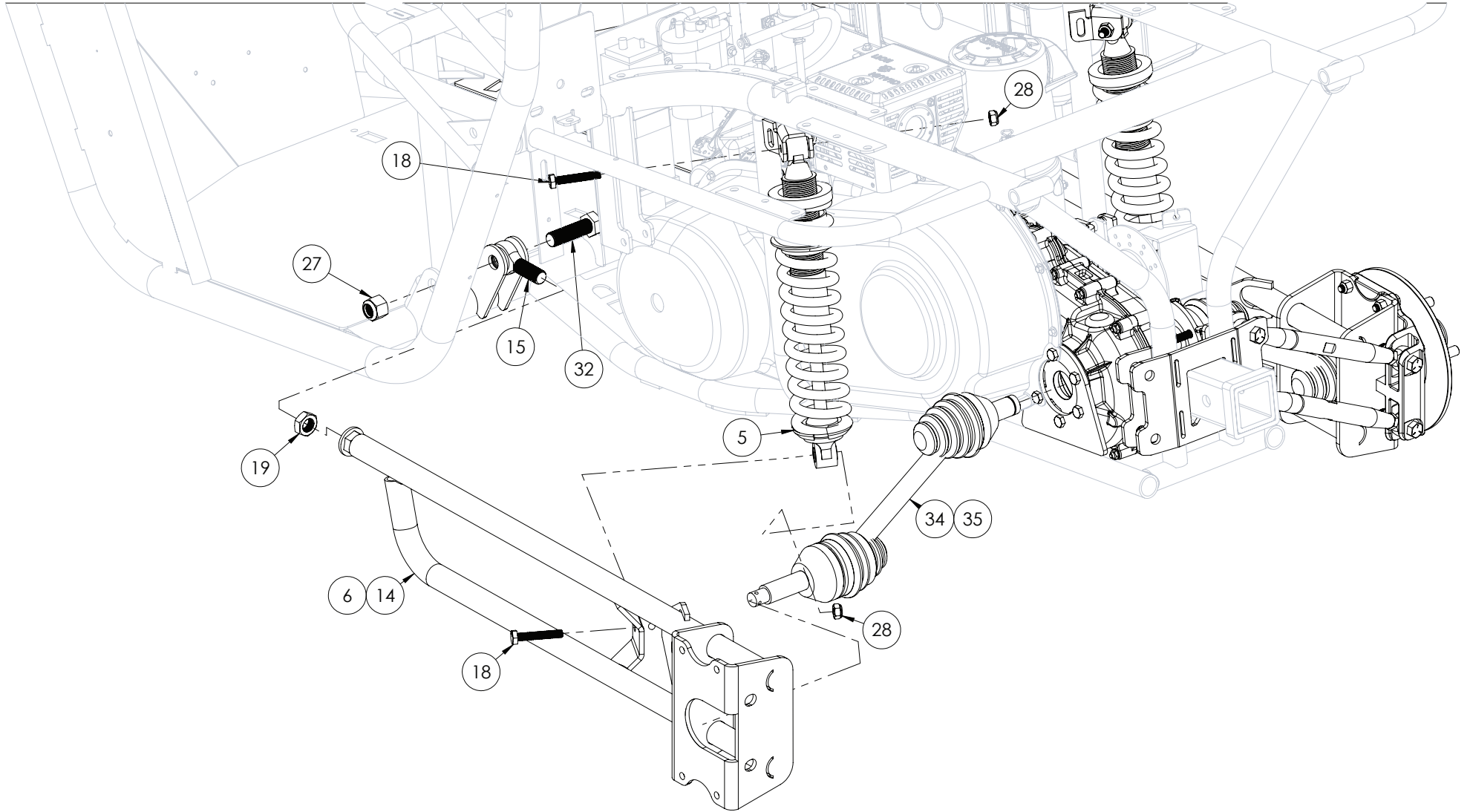


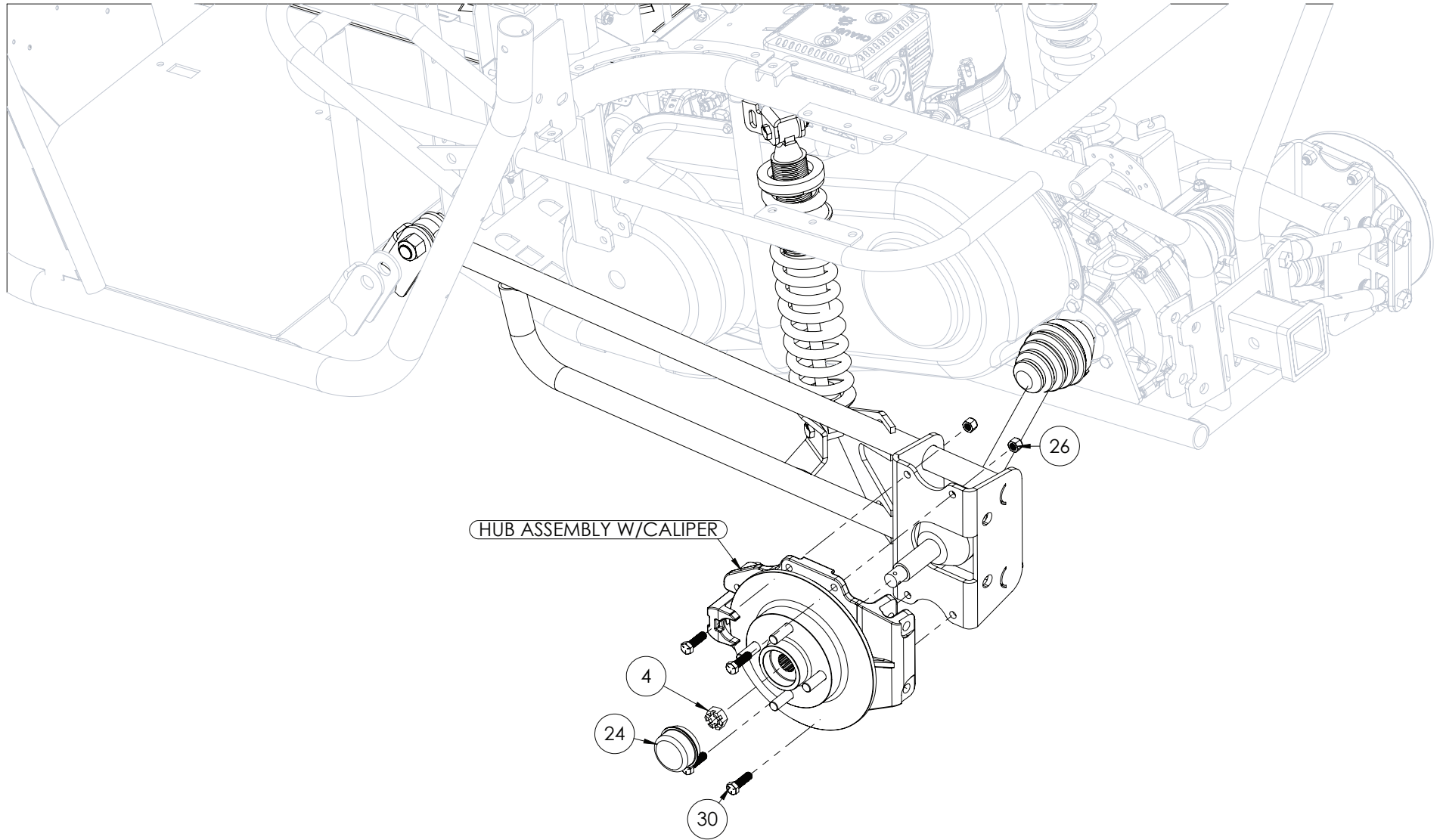
NOTE: Parts denoted as left hand (LH) are driver side. Parts denoted as right hand (RH) are passenger side.

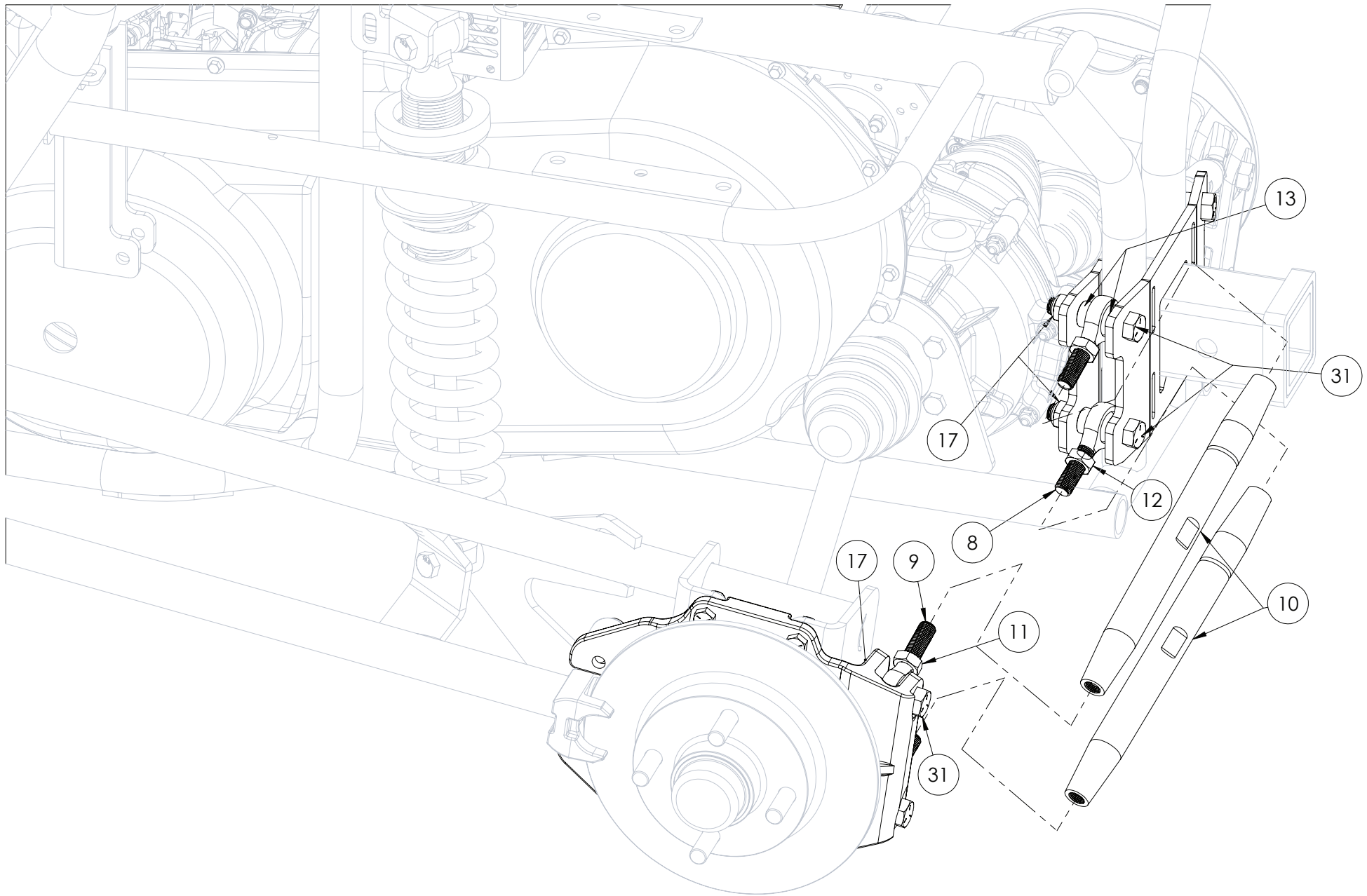
REFERENCE NUMBER	PART NUMBER	PART DESCRIPTION	QUANTITY REQUIRED
1	18190-2	WDMT, FRAME IRS STD CHASSIS	1
2	14426	BOLT, M6 X 1.0 X 14	4
3	15823	NUT, CLIP ON TAPPED - M6 X 1.0; 11 GA MA	4
4	16625	NUT, M16 X 1.5 CASTLE	2
5	17479	SHOCK, DUAL RATE 400/900	2
6	17485-9	WDMT, TRAILING ARM RH-48	1
7	17801	STRAP, FUEL TANK	2
8	17978	ROD END, 1/2-20 LH	4
9	17979	ROD END, 1/2-20 RH	4
10	17980	ARM, RADIUS 48" OAW	4
11	17982	NUT, 1/2-20 THIN RH	4
12	17983	NUT, 1/2-20 THIN LH	4
13	18046	SPACER, .7 X .5 X .285	8
14	18055-9	WDMT, TRAILING ARM LH-48	1
15	18565	ROD END, 3/4	2
16	18594	ASM, REAR CORNER MODULE	2
17	18693	NUT, 1/2-20 NYLOCK	8
18	18702	BOLT, M10X1.5 X 60MM HIGH STRENGTH	4

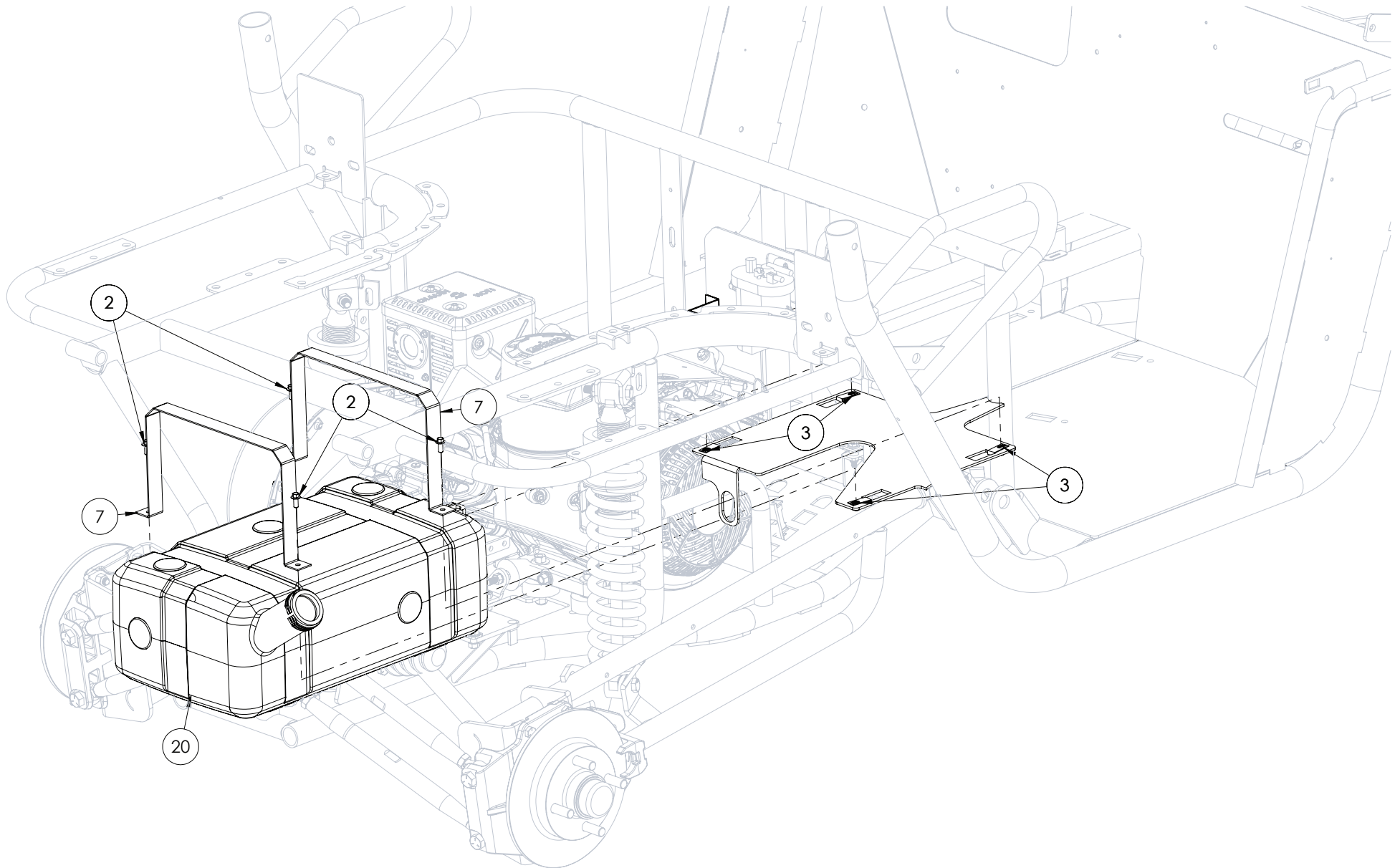
NOTE: Parts denoted as left hand (LH) are driver side. Parts denoted as right hand (RH) are passenger side.

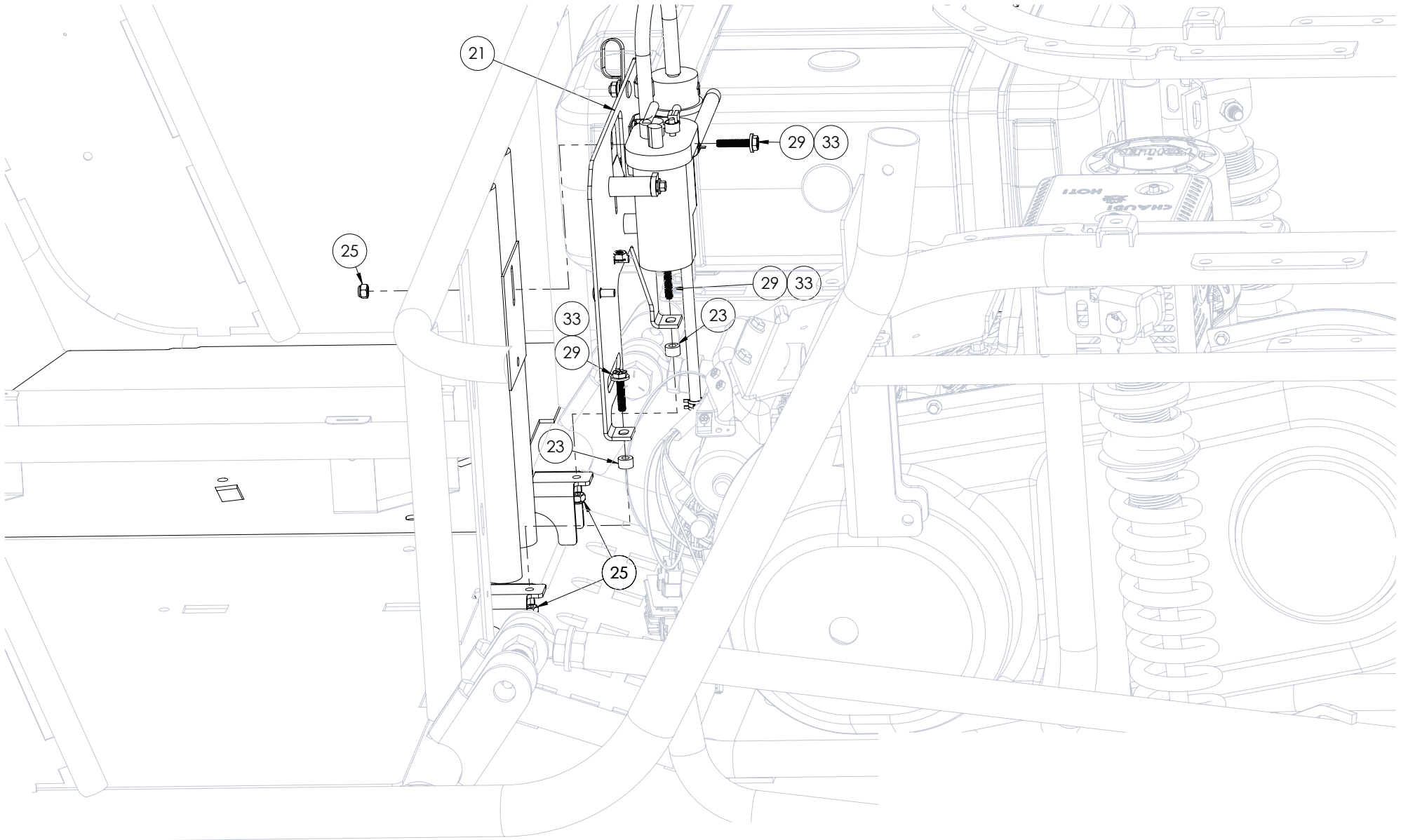
REFERENCE NUMBER	PART NUMBER	PART DESCRIPTION	QUANTITY REQUIRED
19	18705	NUT, 3/4-16 JAM	2
20	18772	TANK, FUEL FLAM FRNT GAUGE BLK	1
21	18977	ASM, EFI FUEL DEL - L4	1
22	2-11124	BRAKE CALIPER-RAZORBACK (99-22664)	2
23	2-18415	SPACER, 1/2 X 5/16 - BLK PLASTIC	2
24	2-30623	HUB, UTV-DUST CAP	2
25	2-50001	NUT, 1/4-20 NYLON LOCKING	3
26	2-50010	NUT, 3/8-16 NYLOCK	8
27	2-50020	NUT, 3/4-16 NYLOCK	2
28	2-50065	NUT, M10 X 1.5 NYLON LOCKING	4
29	2-50086	BOLT, 1/4-20 X 1-1/4IN HEX HEAD G5	3
30	2-50215	BOLT, 3/8IN X 1-1/4IN HEX HEAD G5	8
31	2-50249	BOLT, 1/2IN-20 X 2.5 IN FT HH	8
32	2-50280	BOLT, 3/4IN X 2-1/2IN-HH G5-FT	2
33	2-50717	WASHER, 1/4IN SAE FLAT	3
34	17511	SHAFT, CV LR 48	1
35	17512	SHAFT, CV RR 48	1













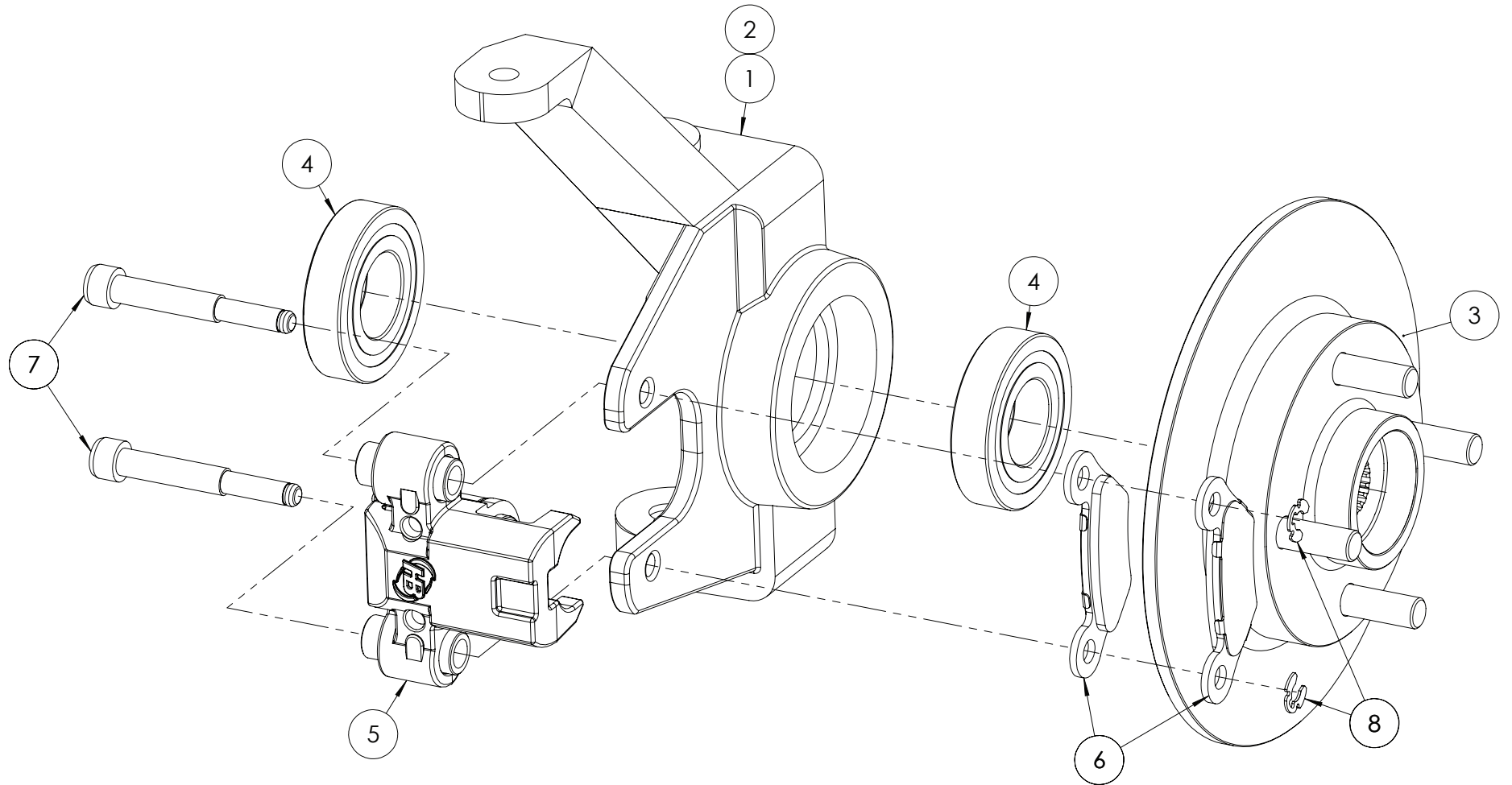
ILLUSTRATED PARTS LIST

This Illustrated Parts List covers the following 2021 model American LandMaster made Utility Vehicles

FRONT SUSPENSION / STEERING

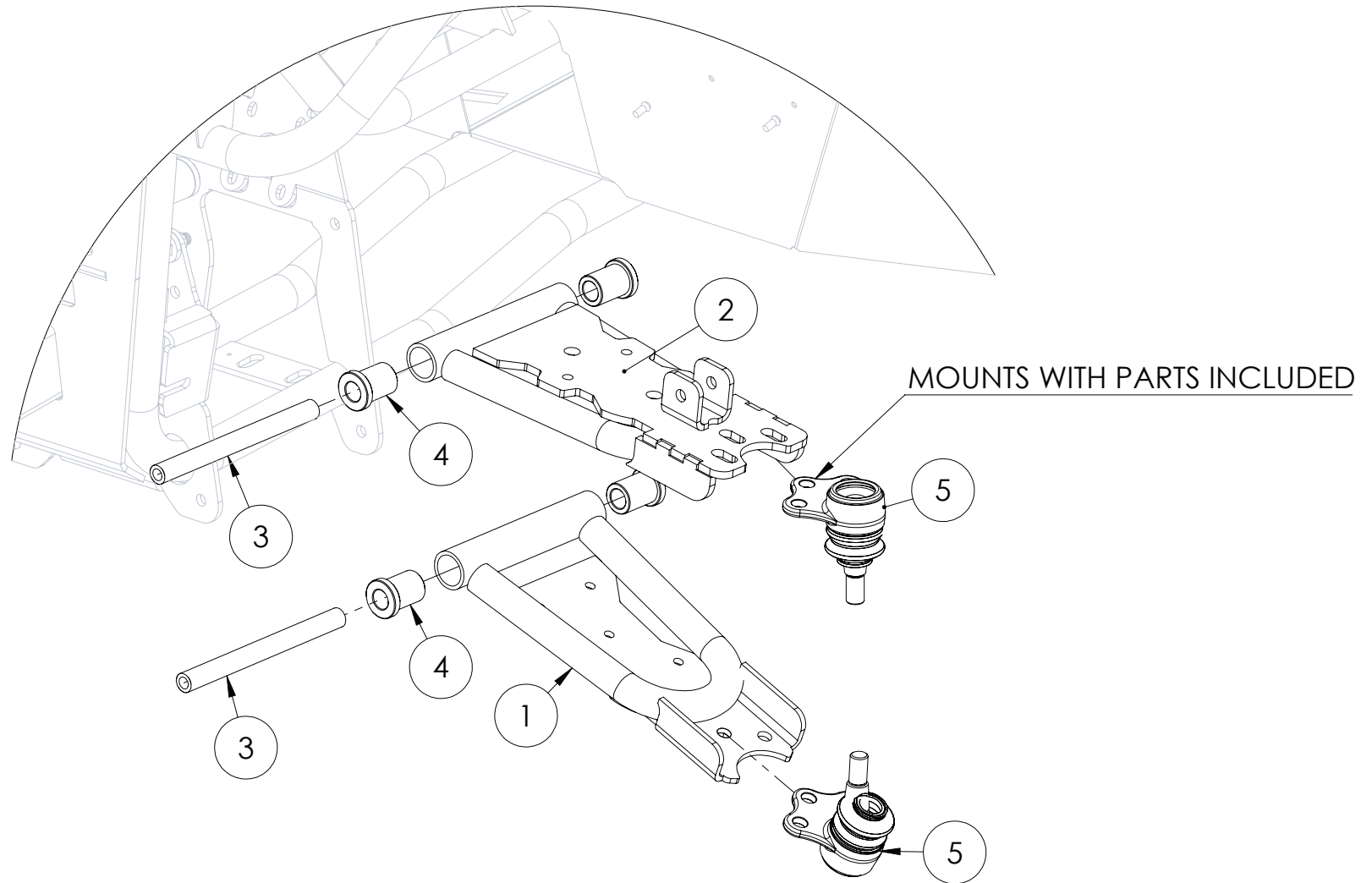
NOTE: Parts denoted as left hand (LH) are driver side. Parts denoted as right hand (RH) are passenger side.

REFERENCE NUMBER	PART NUMBER	PART DESCRIPTION	QUANTITY REQUIRED
1	18037	HUB, FRONT RH	1
2	18038	HUB, FRONT LH	1
3	2-25011	ROTOR, 8-3/4 IN - 4ON4 1/2-20 STUD	1
4	19284	BEARING, RADIAL 6207RS	2
5	2-11124	BRAKE CALIPER-RAZORBACK (99-22664)	1
6	2-11167	BRAKE PADS-RAZORBACK, TYPE 98 (33-23194)	2
7	2-11168	BRAKE MOUNT PINS-RAZORBACK (05-17221)	2
8	2-11169	BRAKE, RETAINING CLIPS-SMALL-RAZORBACK	2



NOTE: Parts denoted as left hand (LH) are driver side. Parts denoted as right hand (RH) are passenger side.

REFERENCE NUMBER	PART NUMBER	PART DESCRIPTION	QUANTITY REQUIRED
1	18199-9	WDMT, A-ARM 48 LOWER-RAW	2
2	18200-9	WDMT, A-ARM 48 UPPER-RAW	2
3	2-42114	DOM, A-ARM SPACER	4
4	18191	BUSHING, 1" OD / .625" ID	10
5	18043	BALL JOINT, K7366	4

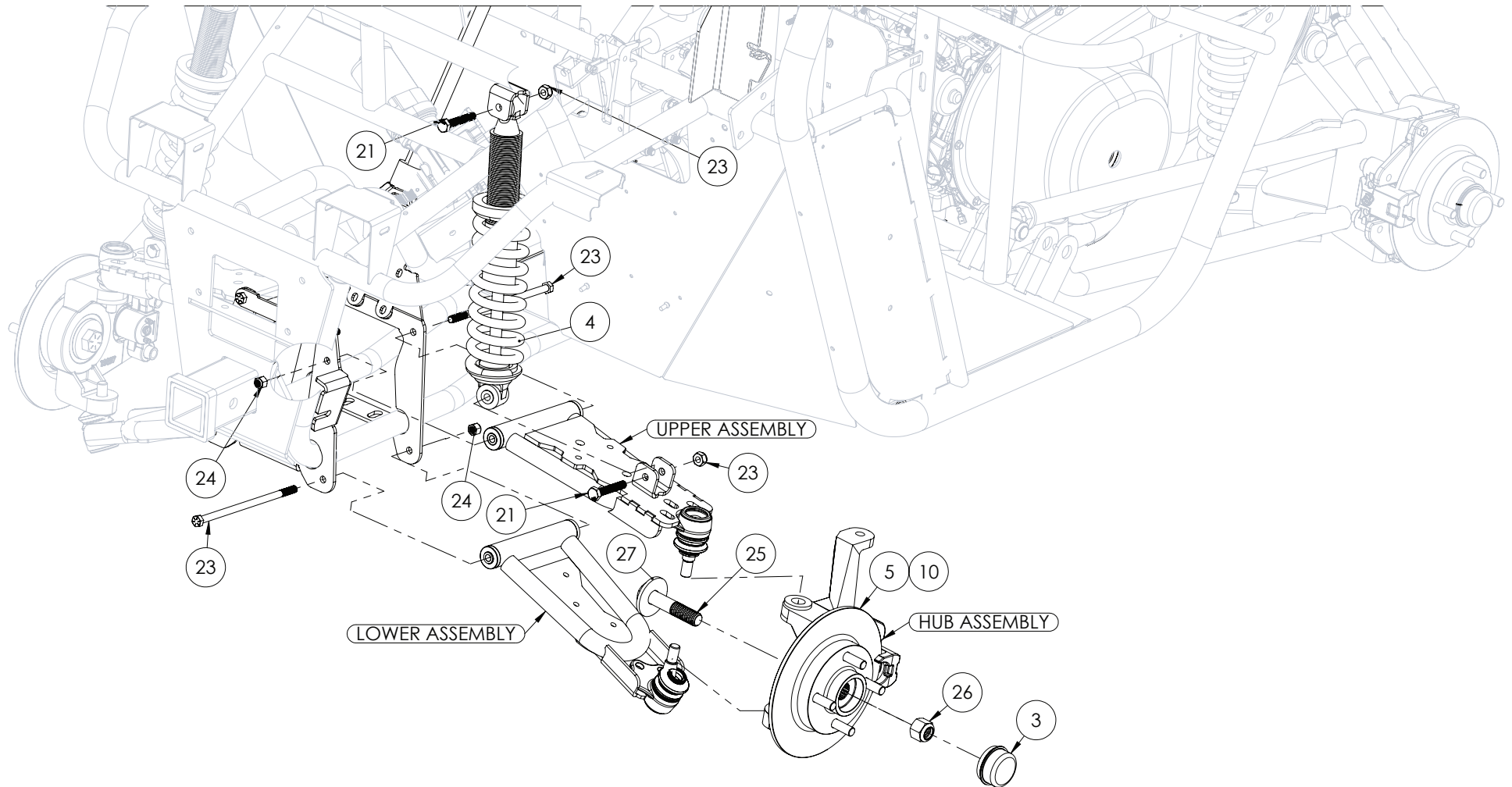


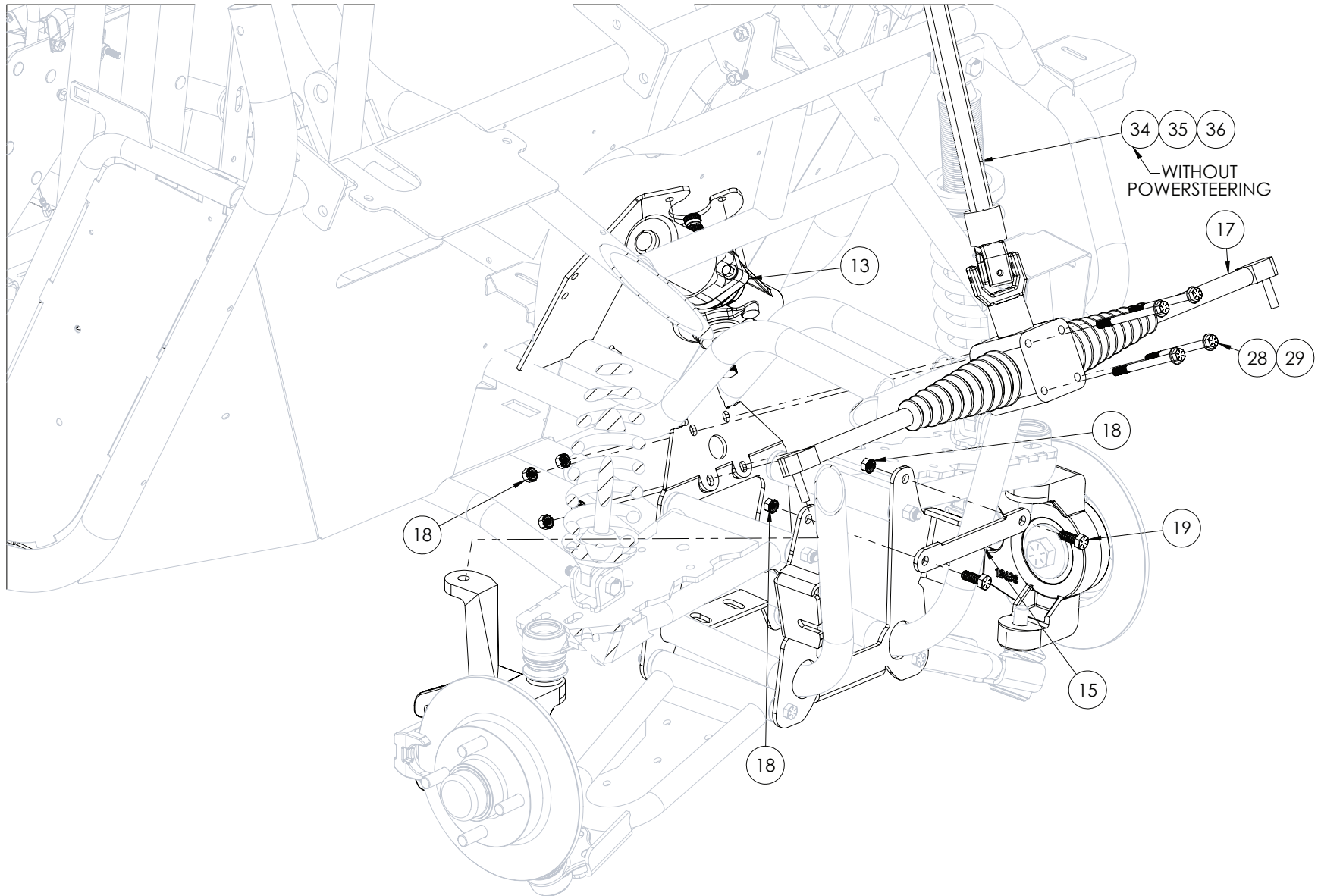
NOTE: Parts denoted as left hand (LH) are driver side. Parts denoted as right hand (RH) are passenger side.

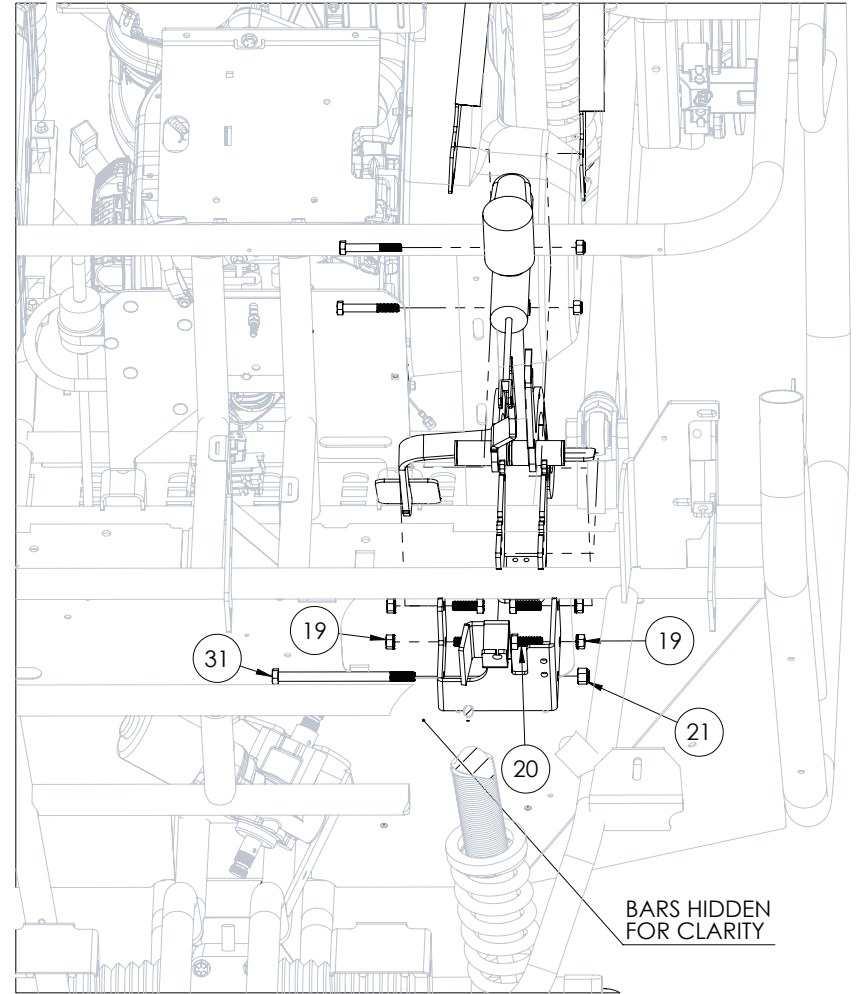
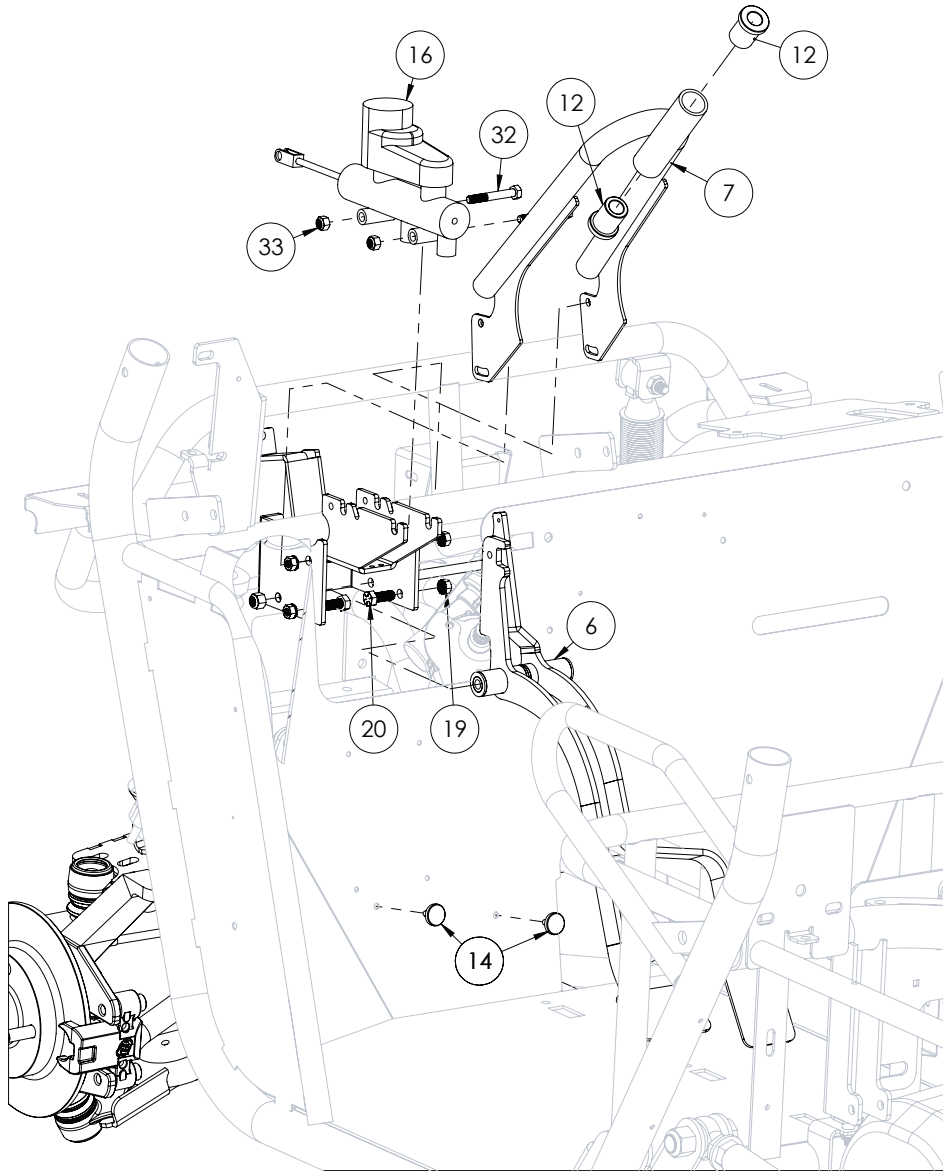
REFERENCE NUMBER	PART NUMBER	PART DESCRIPTION	QUANTITY REQUIRED
1	18190-2	WDMT, FRAME IRS STD CHASSIS	1
2	2-11124	BRAKE CALIPER-RAZORBACK (99-22664)	2
3	2-30623	HUB, UTV-DUST CAP	2
4	17480	SHOCK, 325	2
5	18595	ASM, FRONT LEFT CORNER MODULE	1
6	16898-2	ASM, PEDAL CLUSTER - 2018	1
7	18555	WDMT, STEERING SUPPORT	1
8	18199-9	WDMT, A-ARM 48 LOWER	2
9	18200-9	WDMT, A-ARM 48 UPPER	2
10	18596	ASM, FRONT RIGHT CORNER MODULE	1
11	2-42114	DOM, A-ARM SPACER	4
12	18191	BUSHING, 1" OD / .625" ID	10
13	19059	KIT, POWER STEERING, W/CONNECTORS	1
14	17184	RUBBER, 2018 PEDAL STOP	2
15	16678	FRONT A-ARM TIE BAR 4-LINK - BLACK	1
16	16905	MASTER CYLINDER, 4WD	1
17	18051	RACK & PINION, IRS 48	1

NOTE: Parts denoted as left hand (LH) are driver side. Parts denoted as right hand (RH) are passenger side.

REFERENCE NUMBER	PART NUMBER	PART DESCRIPTION	QUANTITY REQUIRED
18	2-50005	NUT, 5/16-18 KEPS	10
19	2-50150	BOLT, 5/16-18 X 1 HEX HEAD G5	6
20	2-50010	NUT, 3/8-16 NYLOCK	1
21	18702	BOLT, M10X1.5 X 60MM HIGH STRENGTH	4
22	2-50065	NUT, 10 MM x 1.5 NYLOCK	4
23	18701	BOLT, 3/8-24 X 8IN HHCS GR8	4
24	18704	NUT, 3/8-24 NYLOCK	4
25	2-50096	BOLT, 3/4 X 3-1/2 SAE G5	2
26	2-50023	NUT, 3/4IN SAE NYLOCK-JAM	2
27	2-50709	WASHER, 3/4" USS FLAT WASHER	2
28	2-50171	BOLT, 5/16IN-18 X 3-3/4IN HH G5	4
29	2-50701	WASHER, 5/16 SAE FLAT	4
30	16888	BOLT, 3/8" x 5.5"	1
31	2-50156	BOLT, 5/16IN X 2-1/4IN HEX HEAD G5	2
32	2-50007	NUT, 5/16-18 NYLOCK	2
33	16902	BRAKE LINE, FRONT HANGINGBRACKER	1
34	2-10526	SHAFT, STEERING - UNIVERSAL	1
35	17638	SHAFT, POWER STEERING (WITH POWERSTEERING)	1
36	17639	JOINT, POWER STEERING COUPLER (WITH POWERSTEERING)	1

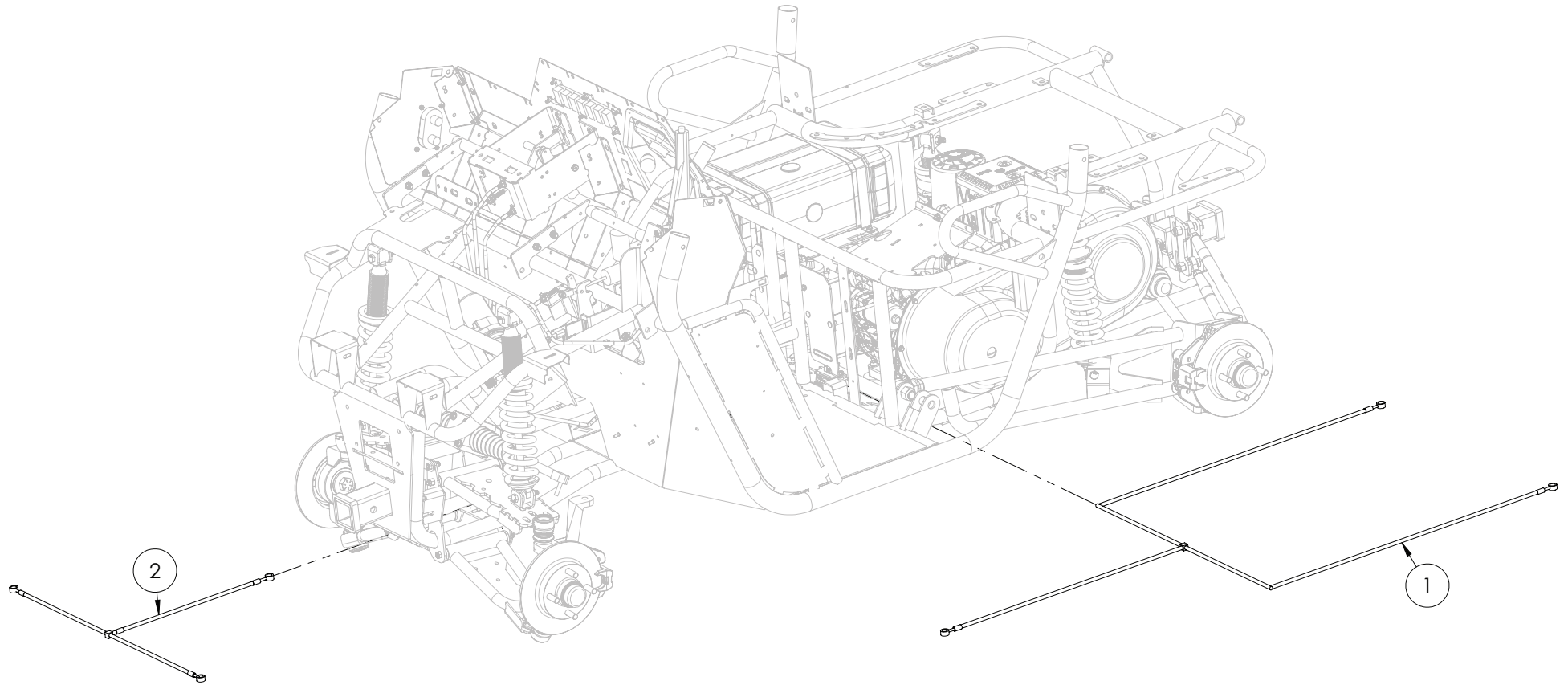






NOTE: Parts denoted as left hand (LH) are driver side. Parts denoted as right hand (RH) are passenger side.

REFERENCE NUMBER	PART NUMBER	PART DESCRIPTION	QUANTITY REQUIRED
1	18378	BRAKE LINE, REAR STD	1
2	16902	BRAKE LINE, FRONT HANGING BRK	1





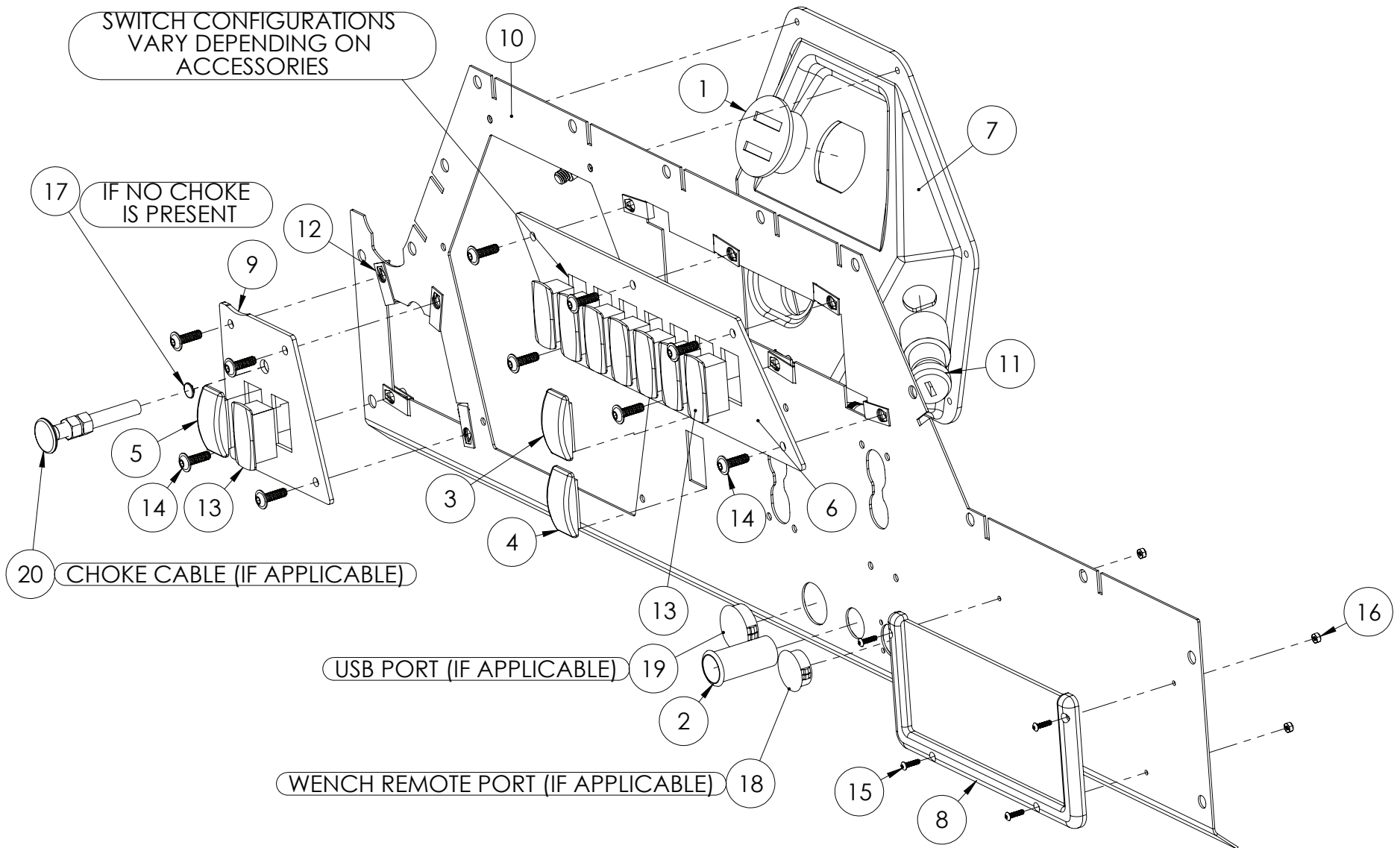
ILLUSTRATED PARTS LIST

This Illustrated Parts List covers the following 2021 model American LandMaster made Utility Vehicles

DASH / CONTROLS

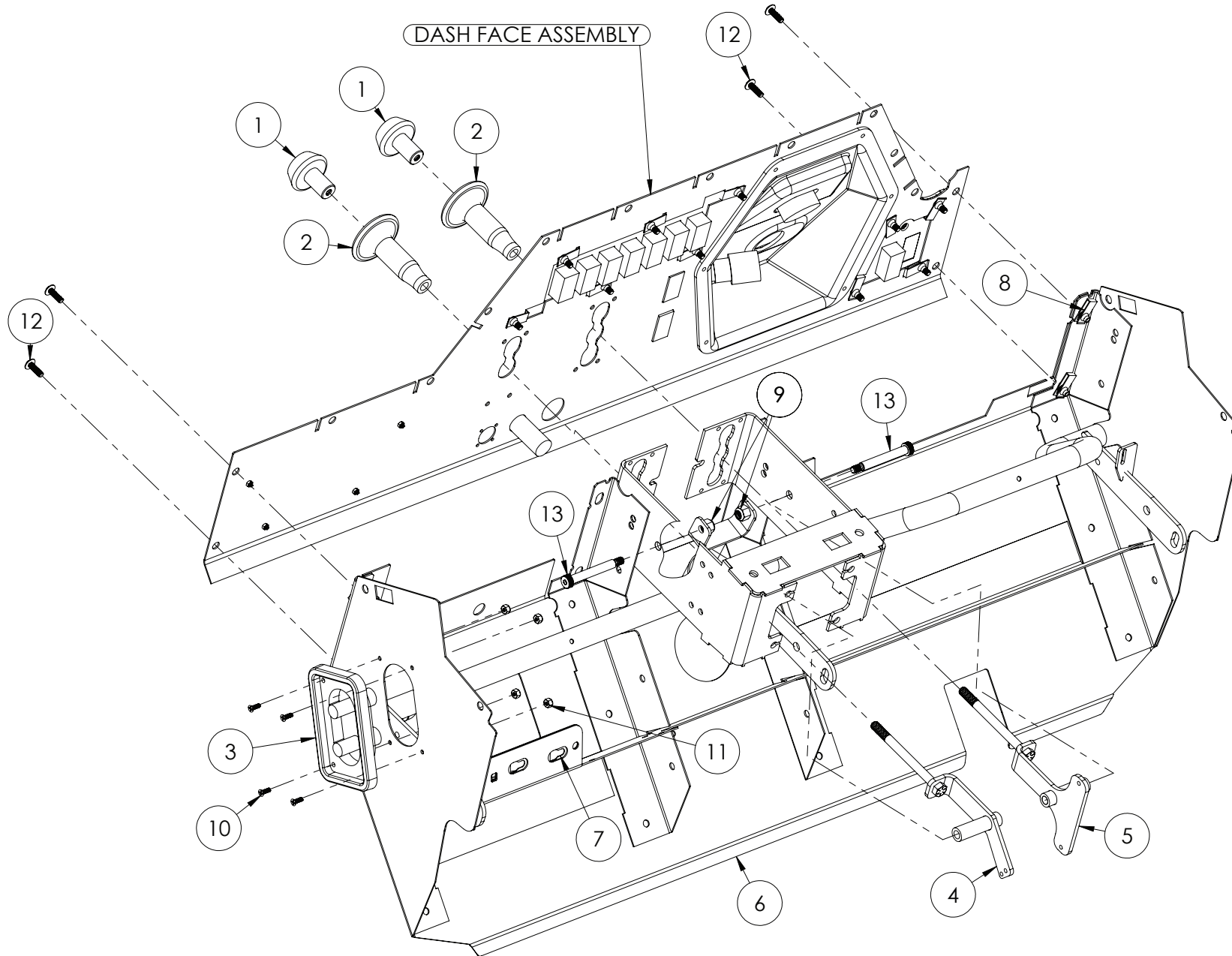
NOTE: Parts denoted as left hand (LH) are driver side. Parts denoted as right hand (RH) are passenger side.

REFERENCE NUMBER	PART NUMBER	PART DESCRIPTION	QUANTITY REQUIRED
1	17823	GAUGE, 12V BATT VOLT/HOUR COMBO RND	1
2	2-70080	OUTLET, ACCESSORY-12V DC POWER	1
3	18380	LIGHT, WARNING ENGINE/OIL	1
4	18381	LIGHT, WARNING PARK/SEATBELT	1
5	18383	SWITCH, FLOOD/HEADLIGHT	1
6	18351-2	BRKT, 7 SWITCH PANEL	1
7	18075	DASH, STEERING COLUMN - ABS BLK	1
8	18356	NET, 4X9	1
9	18352	BRKT, LOWER DASH PANEL	1
10	18073-9	BRKT, DASH FACE	1
11	18484	SWITCH, IGNITION	1
12	15823	NUT, CLIP ON TAPPED - M6 X 1.0; 11 GA MA	10
13	18506	ROCKER SWITCH HOLE PLUG	8
14	18134	SCREW, M6 X 1 X 20 WIDE FLG BUTT HD SS	10
15	18699	BOLT, #5-40 - 1/2 LONG	4
16	18698	NUT, #5-40 NYLOCK	4
17	2-50817	PIN, PUSH-IN - PLASTIC	1
18		PLASTIC PLUG	1
19		PLASTIC PLUG	1
20	16477	CABLE, CHOKE - 116" LONG	1



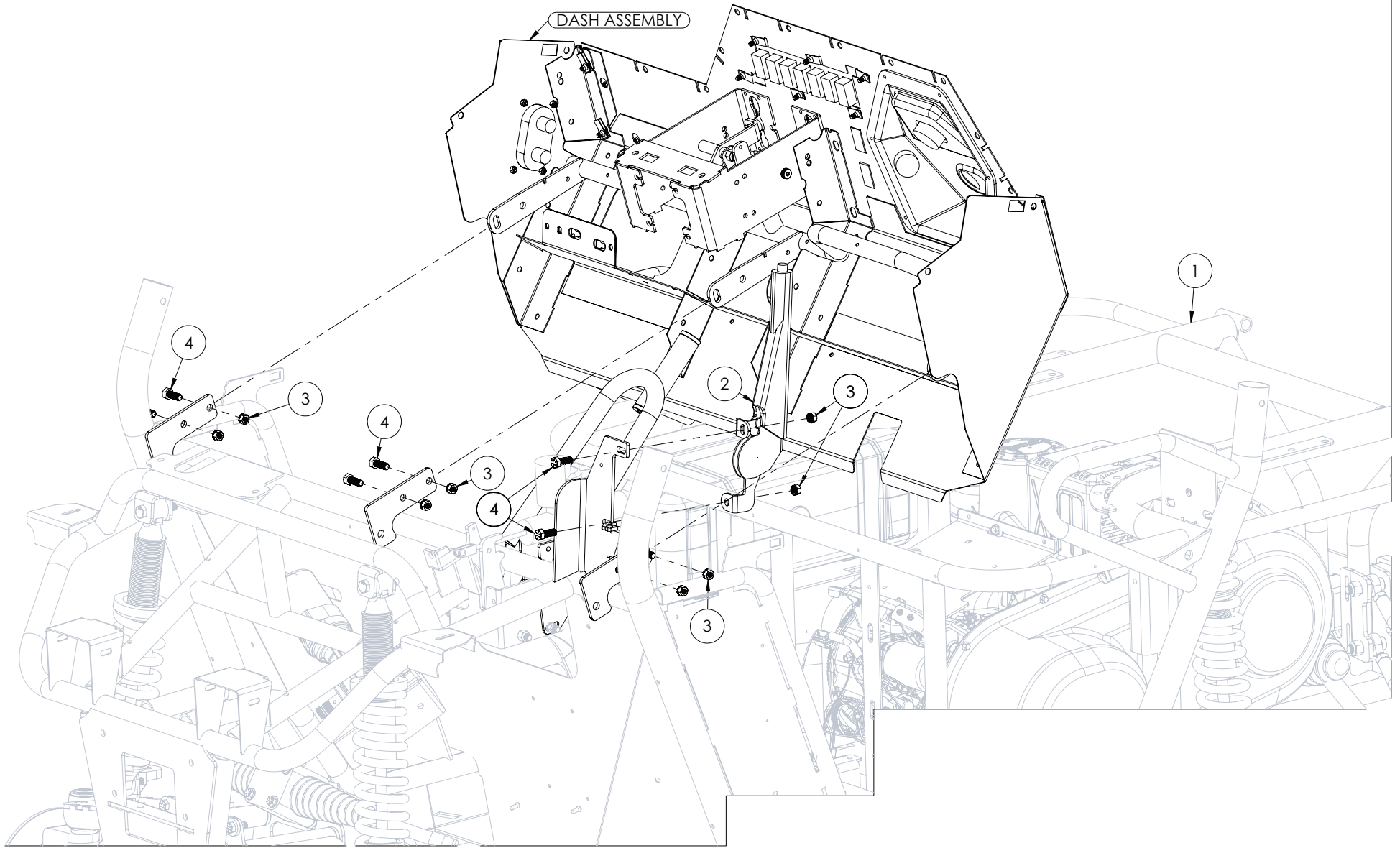
NOTE: Parts denoted as left hand (LH) are driver side. Parts denoted as right hand (RH) are passenger side.

REFERENCE NUMBER	PART NUMBER	PART DESCRIPTION	QUANTITY REQUIRED
1	18095	KNOB, SHIFTER	2
2	18096	SHIFTER, LIFTER	2
3	18357	BATTERY, EZ CHARGE REMOTE STUDS	1
4	18114-2	WDMT, DIFF SHIFTER	1
5	18112-2	WDMT, FNR SHIFTER	1
6	18354-2	WDMT, LOWER DASH STRUCTURE	1
7	18347	BRKT, PDM MOUNT	1
8	15823	NUT, CLIP ON TAPPED - M6 X 1.0; 11 GA MA	4
9	2-50010	NUT, 3/8-16 NYLOCK	2
10	18695	#8-32 1/2" TAPER FHS	4
11	18694	#8-32 NYLOCK NUT	4
12	18134	SCREW, M6 X 1 X 20 WIDE FLG BUTT HD SS	4
13	18360	BOLT, SHOULDER 2.5" X 3/8"	2



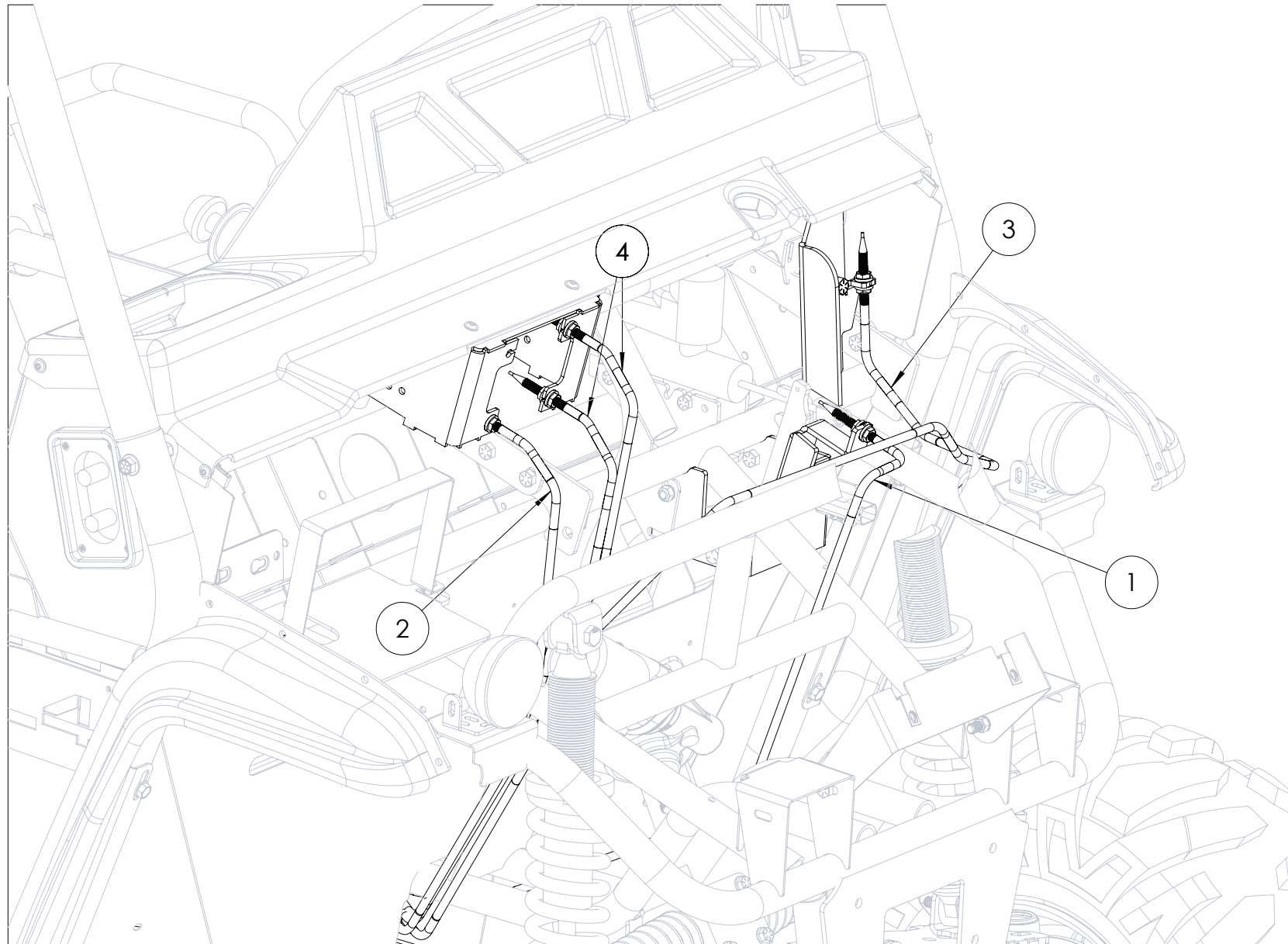
NOTE: Parts denoted as left hand (LH) are driver side. Parts denoted as right hand (RH) are passenger side.

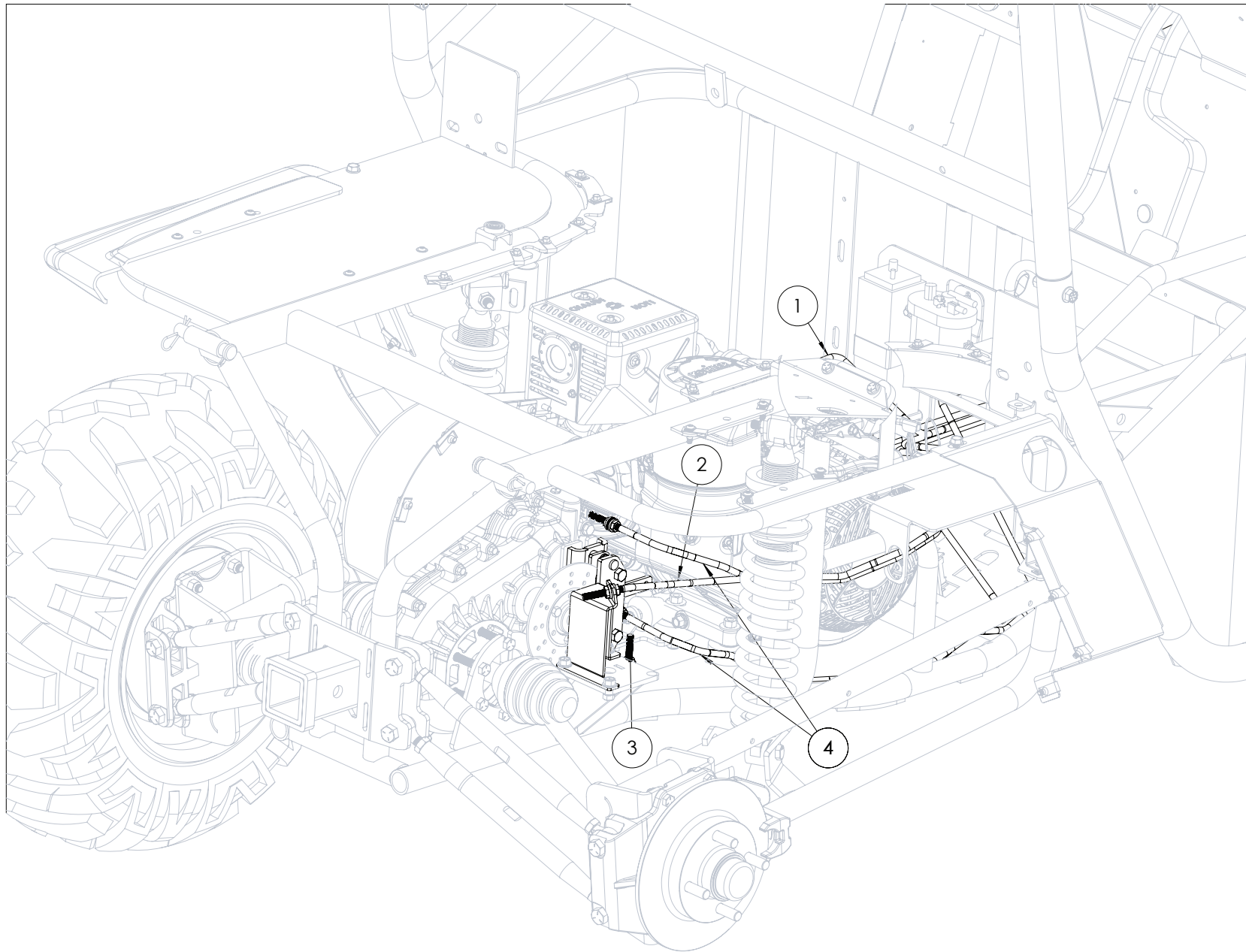
REFERENCE NUMBER	PART NUMBER	PART DESCRIPTION	QUANTITY REQUIRED
1	18190-2	WDMT, FRAME IRS STD CHASSIS	1
2	18387	LEVER, PARK BRAKE	1
3	2-50005	NUT, 5/16-18 KEPS	8
4	2-50150	BOLT, 5/16-18 X 1 HEX HEAD G5	8



NOTE: Parts denoted as left hand (LH) are driver side. Parts denoted as right hand (RH) are passenger side.

REFERENCE NUMBER	PART NUMBER	PART DESCRIPTION	QUANTITY REQUIRED
1	19287	CABLE, THROTTLE - L5	1
2	18175	CABLE, DIFF LOCK STD	1
3	18181	CABLE, PARKING STD	1
4	16437	CABLE, SHIFTER - STD CAB	2







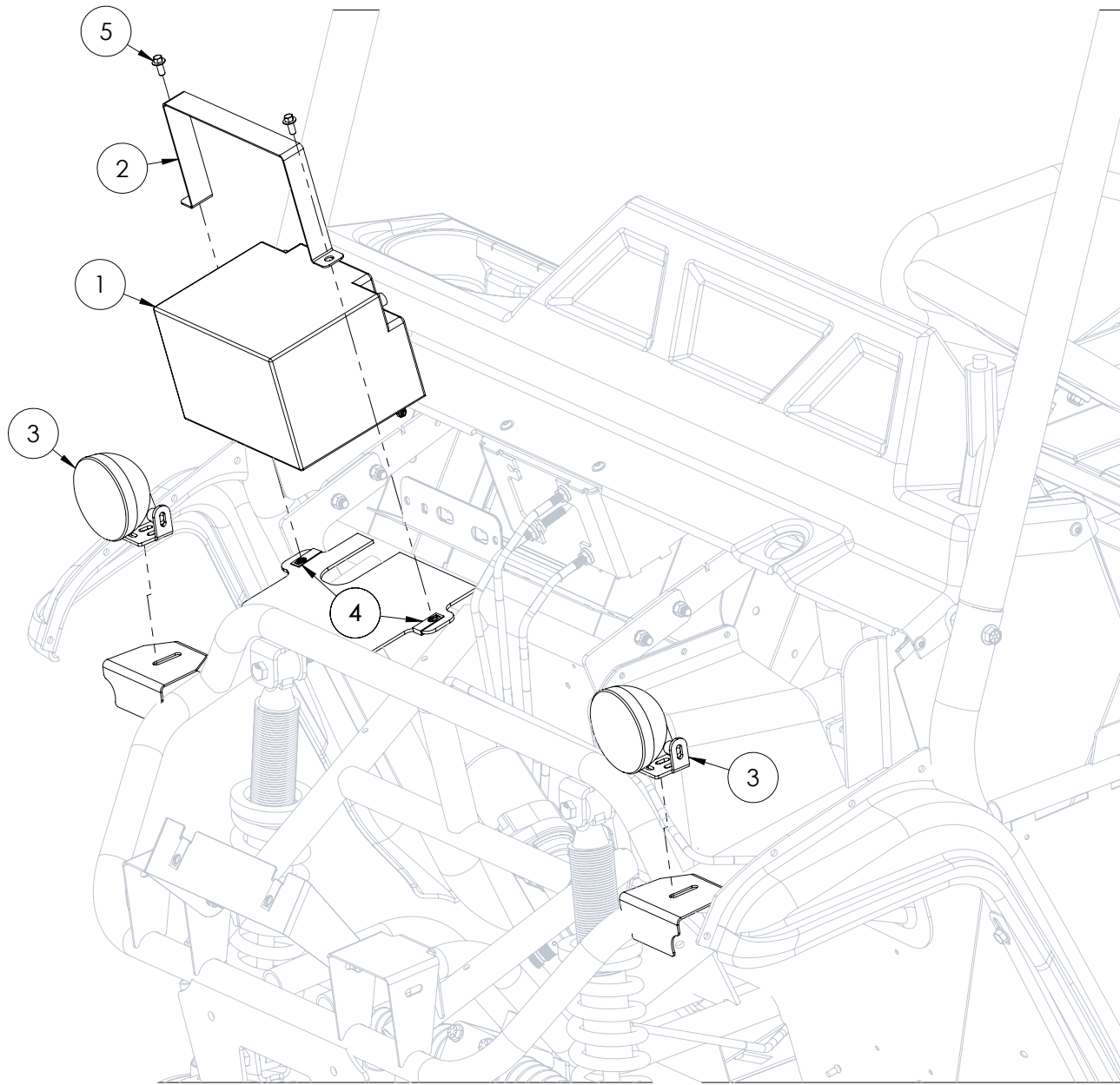
ILLUSTRATED PARTS LIST

This Illustrated Parts List covers the following 2021 model American LandMaster made Utility Vehicles

PLASTICS / SEATING

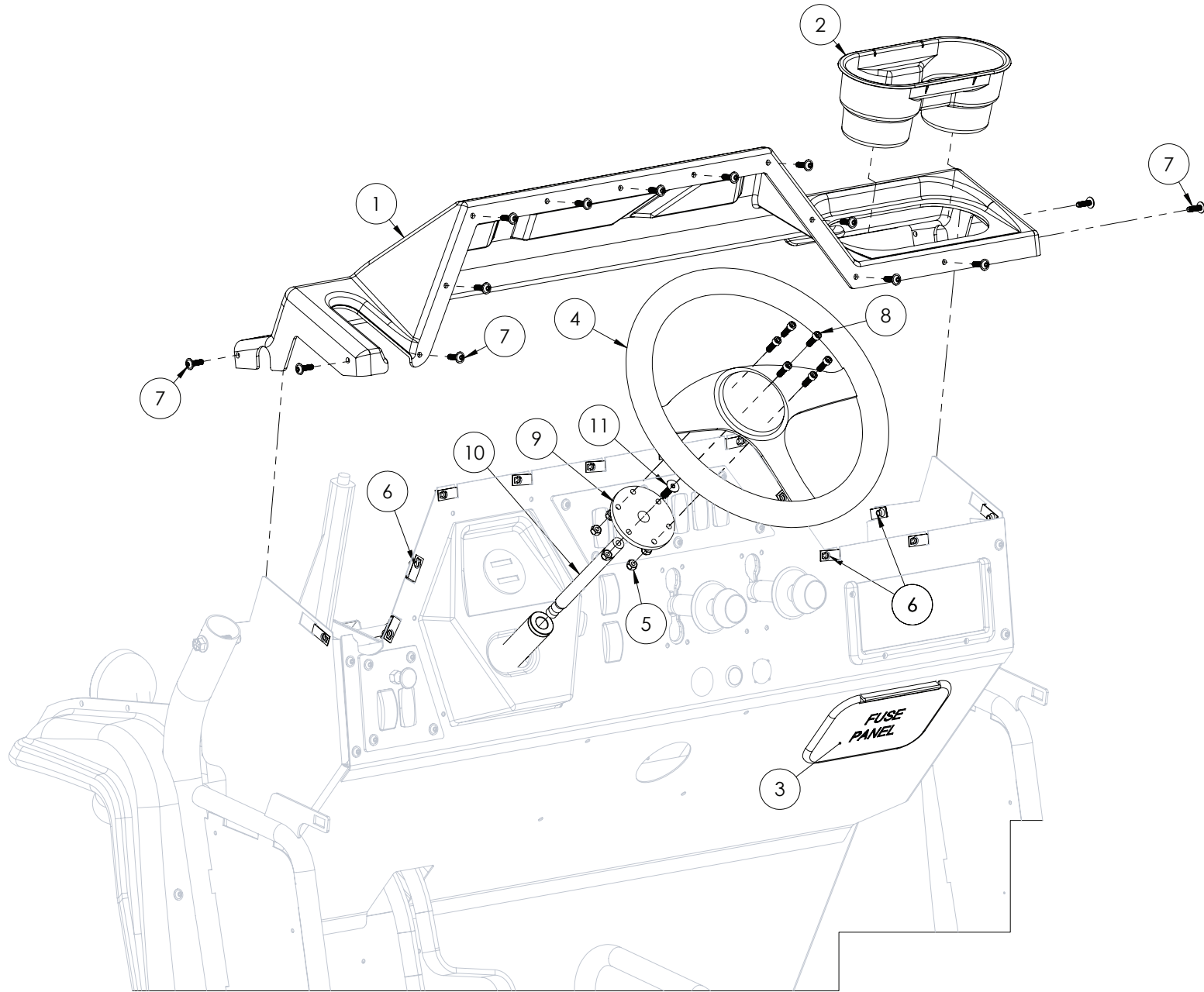
NOTE: Parts denoted as left hand (LH) are driver side. Parts denoted as right hand (RH) are passenger side.

REFERENCE NUMBER	PART NUMBER	PART DESCRIPTION	QUANTITY REQUIRED
1	2-69998	BATTERY, UB12350 SEALED AGM - 315CCA	1
2	18126-2	BRKT, BATTERY HOLD DOWN 2021	1
3	18609	LIGHT, HEAD LIGHT / WORK LIGHT	2
4	15823	NUT, CLIP ON TAPPED - M6 X 1.0; 11 GA MA	2
5	14426	BOLT, M6 X 1.0 X 14	2



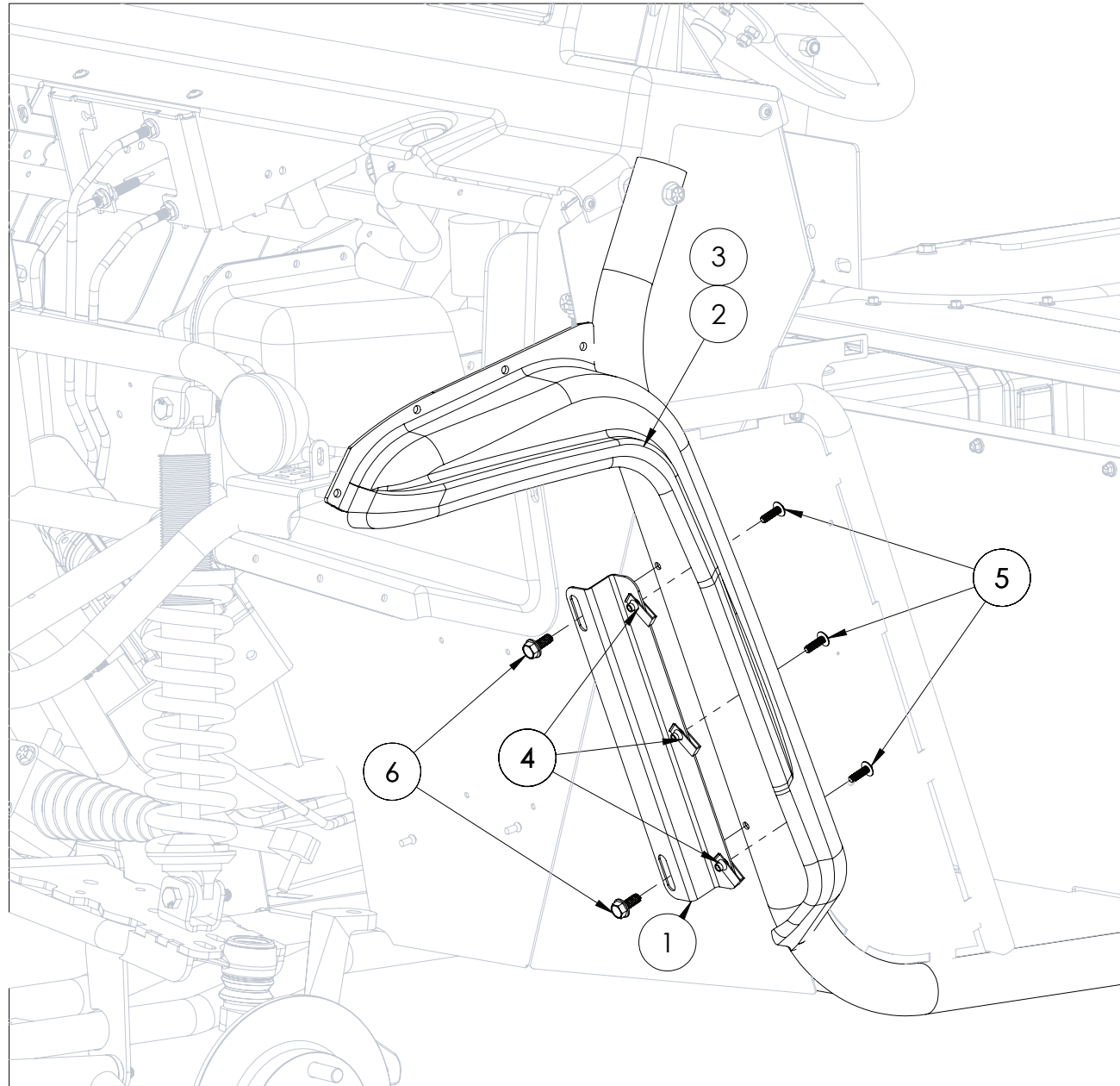
NOTE: Parts denoted as left hand (LH) are driver side. Parts denoted as right hand (RH) are passenger side.

REFERENCE NUMBER	PART NUMBER	PART DESCRIPTION	QUANTITY REQUIRED
1	18072	DASH, THERMOFORMED TOP	1
2	14842	CUP HOLDER - 200 SERIES	1
3	18361	PANEL, DASH ACCESS	1
4	14845	STEERING WHEEL - 200S	1
5	2-50001	NUT, 1/4-20 NYLON LOCKING	6
6	15823	NUT, CLIP ON TAPPED - M6 X 1.0; 11 GA MA	14
7	18134	SCREW, M6 X 1 X 20 WIDE FLG BUTT HD SS	14
8	2-50636	BOLT, 1/4IN X 3/4IN SOCKET HEAD (SS)	6
9	2-18169	STEERING HUB DISK (SEE SPECS)	1
10	2-18170	STEERING HUB SHAFT	1
11	2-50098	BOLT, TAPERED 5/16-18 X 1IN	1



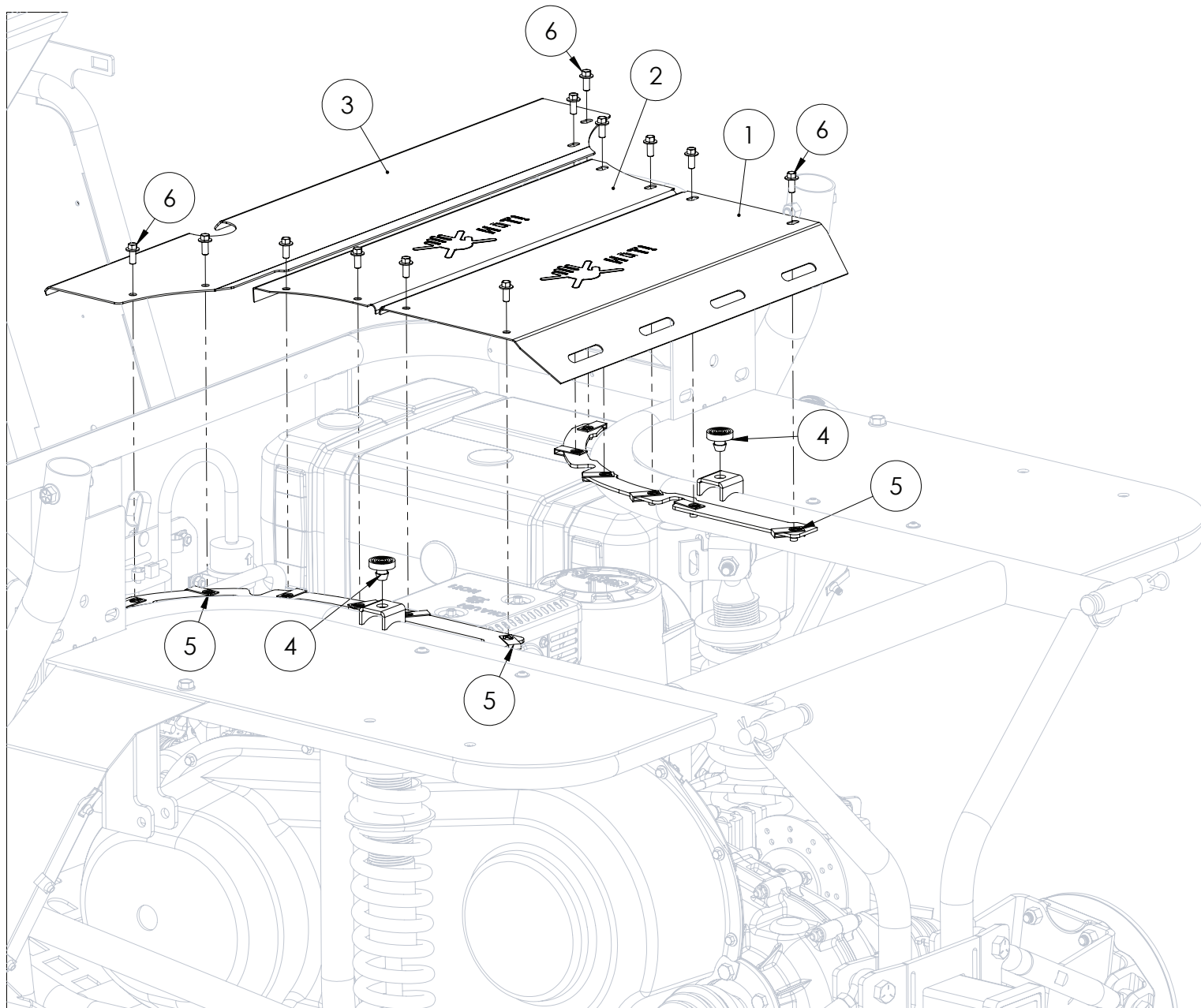
NOTE: Parts denoted as left hand (LH) are driver side. Parts denoted as right hand (RH) are passenger side.

REFERENCE NUMBER	PART NUMBER	PART DESCRIPTION	QUANTITY REQUIRED
1	18133-2	BRKT, FRONT FENDER	2
2	18754	FENDER, FRONT LH - 48	1
3	18755	FENDER, FRONT RH - 48	1
4	15823	NUT, CLIP ON TAPPED - M6 X 1.0; 11 GA MA	6
5	18134	SCREW, M6 X 1 X 20 WIDE FLG BUTT HD SS	6
6	19076	SCREW, 5/16 X1.00 UNSLT HWSDS	4



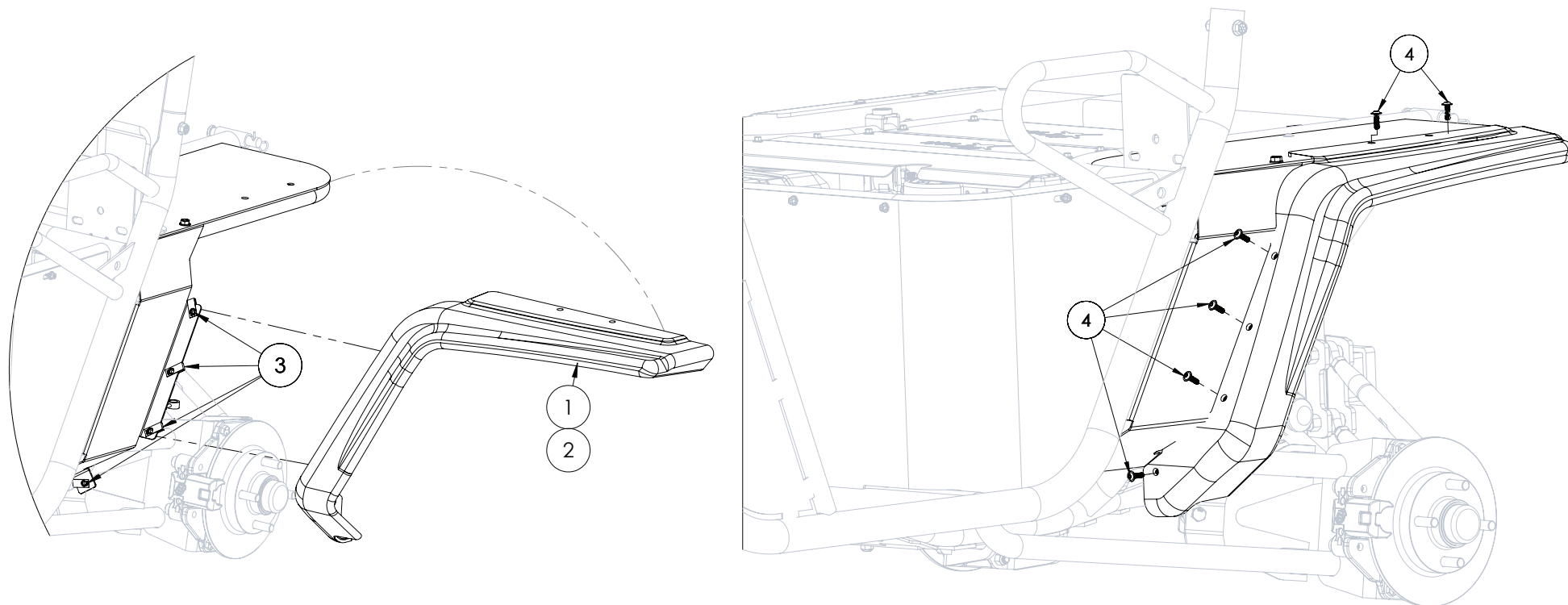
NOTE: Parts denoted as left hand (LH) are driver side. Parts denoted as right hand (RH) are passenger side.

REFERENCE NUMBER	PART NUMBER	PART DESCRIPTION	QUANTITY REQUIRED
1	16787	PLATE, HEAT SHIELD 2WD - REAR	1
2	16797	PLATE, HEAT SHIELD - 4WD - FWD	1
3	18212-2	SHIELD, UNDERSEAT	1
4	2-18413	BED BUMPER 1.5 INCH (RUBBER)	2
5	15823	NUT, CLIP ON TAPPED - M6 X 1.0; 11 GA MA	12
6	14426	BOLT, M6 X 1.0 X 14	12



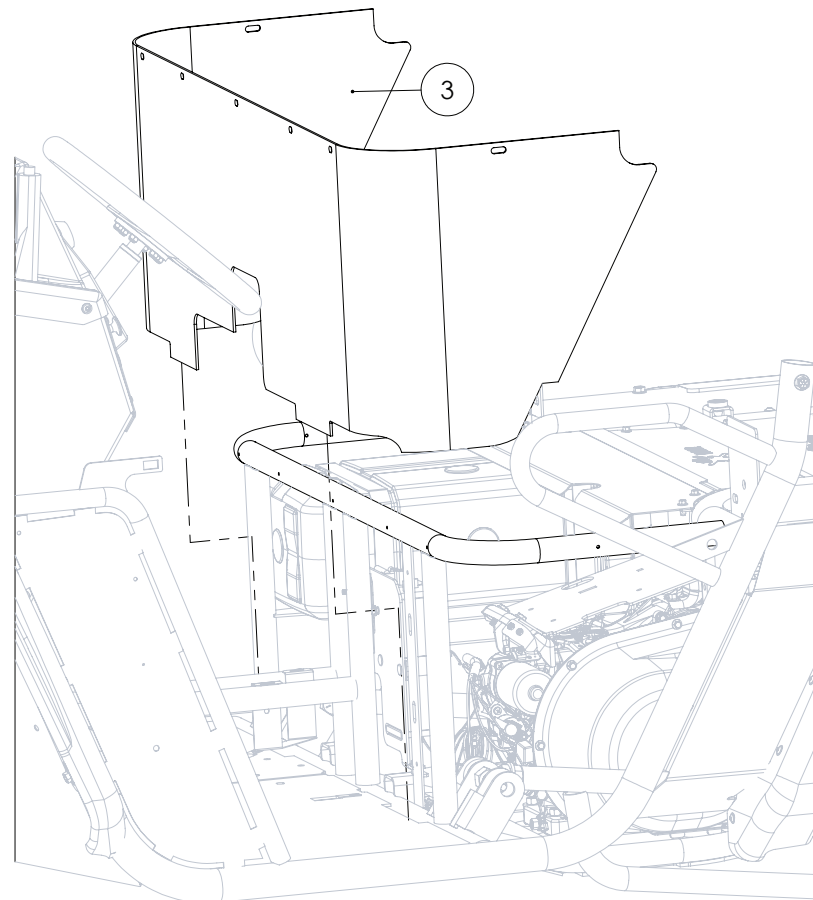
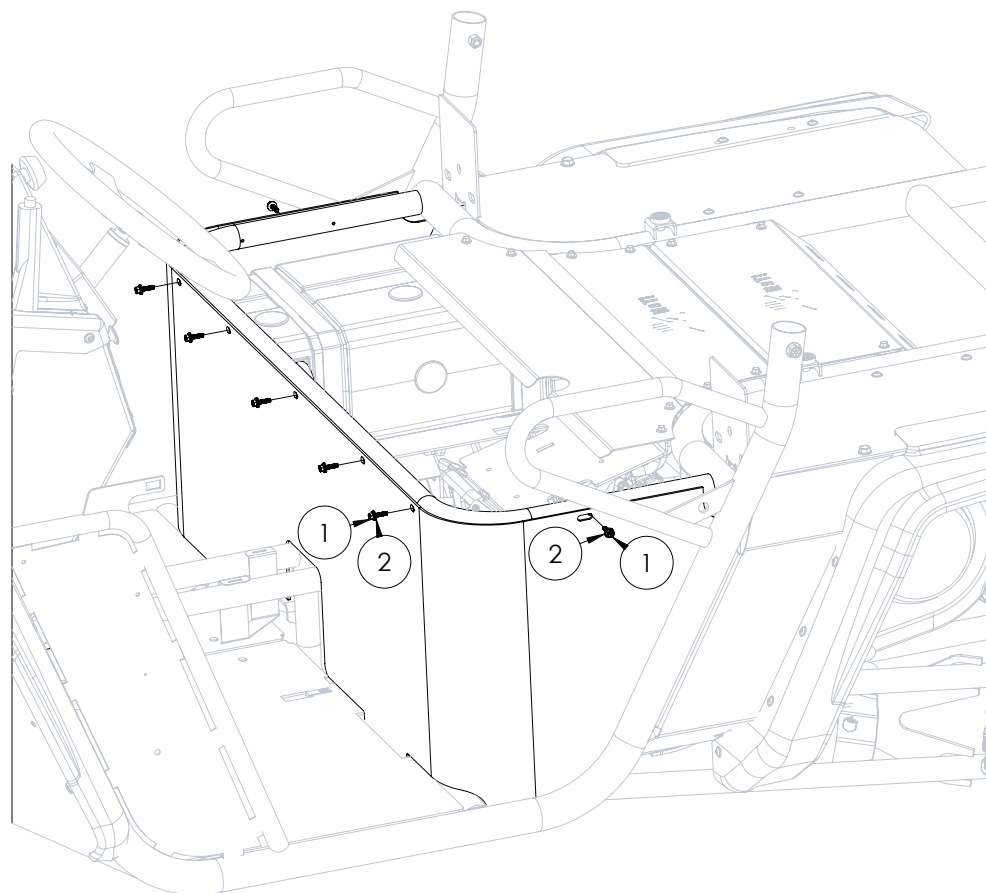
NOTE: Parts denoted as left hand (LH) are driver side. Parts denoted as right hand (RH) are passenger side.

REFERENCE NUMBER	PART NUMBER	PART DESCRIPTION	QUANTITY REQUIRED
1	18164	FENDER, REAR LH - 48	1
2	18165	FENDER, REAR RH - 48	1
3	15823	NUT, CLIP ON TAPPED - M6 X 1.0; 11 GA MA	8
4	18134	SCREW, M6 X 1 X 20 WIDE FLG BUTT HD SS	12



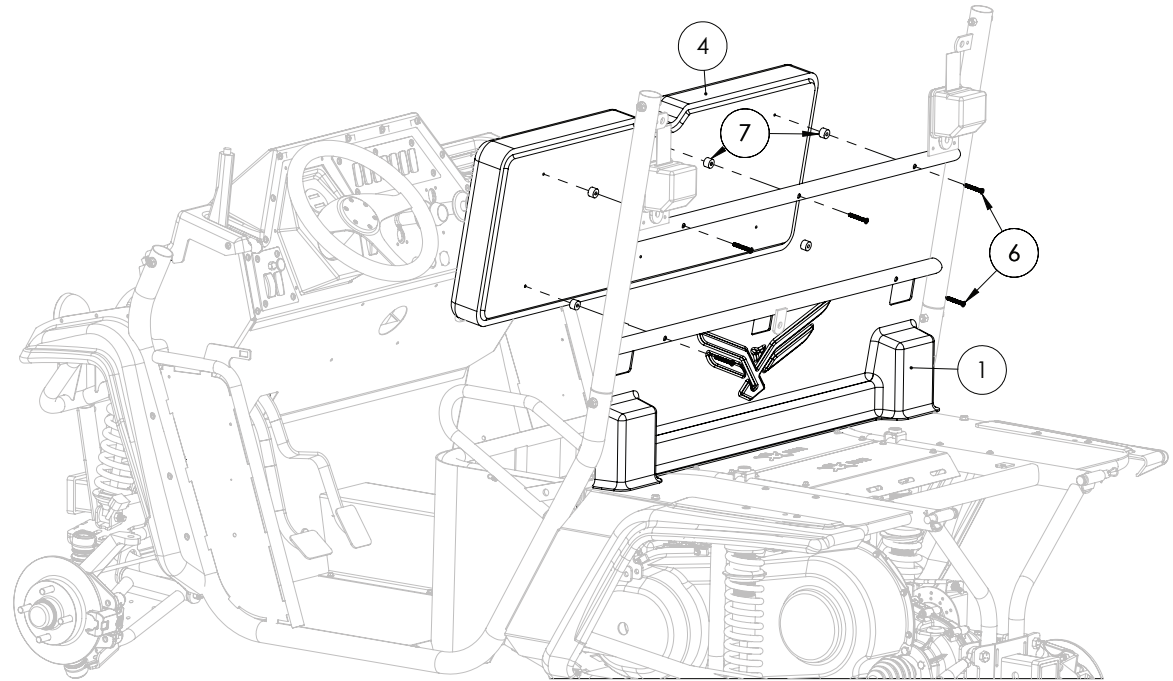
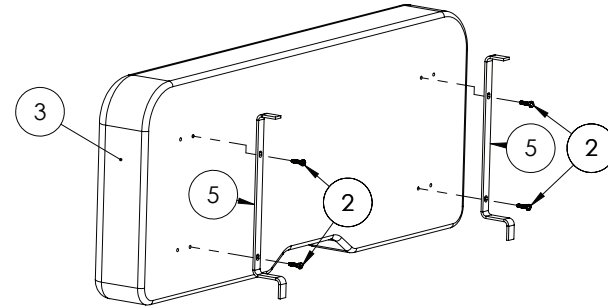
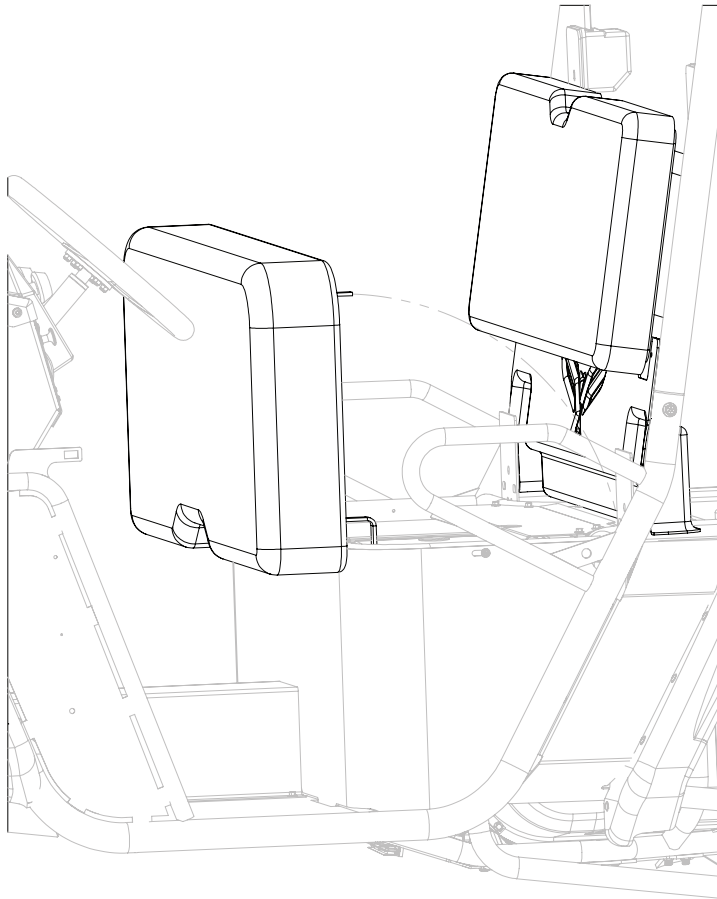
NOTE: Parts denoted as left hand (LH) are driver side. Parts denoted as right hand (RH) are passenger side.

REFERENCE NUMBER	PART NUMBER	PART DESCRIPTION	QUANTITY REQUIRED
1	2-50630	SCREW, #10 X 3/4IN HEX WASHER TEK-BLK	7
2	2-50770	WASHER, #10 SAE FLAT	7
3	19021	SURROUND, 4WD SEAT - MATTE BLK	1



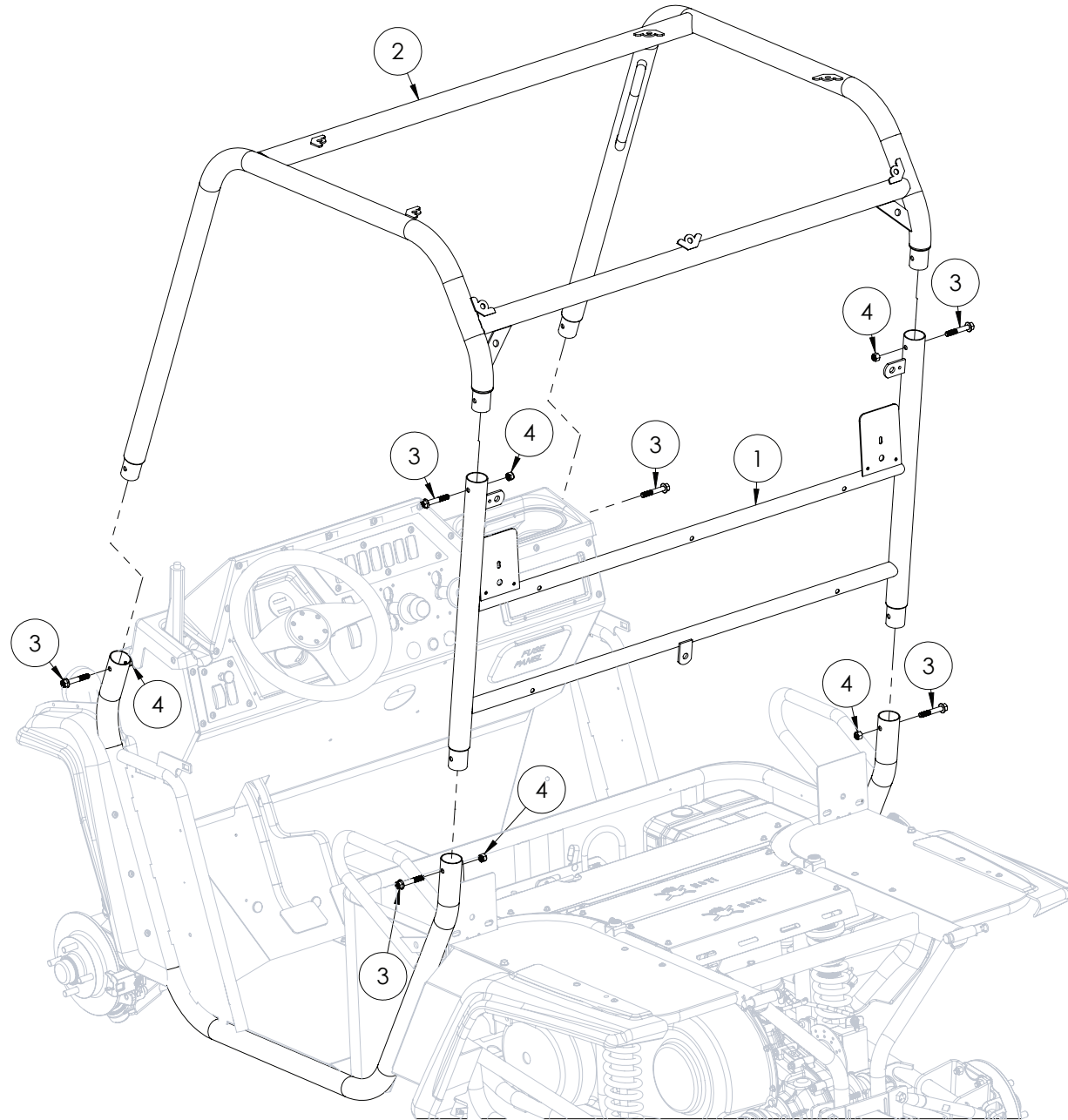
NOTE: Parts denoted as left hand (LH) are driver side. Parts denoted as right hand (RH) are passenger side.

REFERENCE NUMBER	PART NUMBER	PART DESCRIPTION	QUANTITY REQUIRED
1	18168	PANEL, SEATBACK	1
2	2-50087	BOLT, 1/4"-20 X 1"	4
3	18071	CUSHION, SEAT BOTTOM FORMED	1
4	18070	CUSHION, SEAT BACK FORMED	1
5	16294	BRKT, SEAT HINGE - BOOST	2
6	16679	SCREW, 1/4-20 X 1.75 FTPMS ZN	5
7	18523	SPACER 0.75OD X 0.50 X 0.25ID LDPE BLK	5



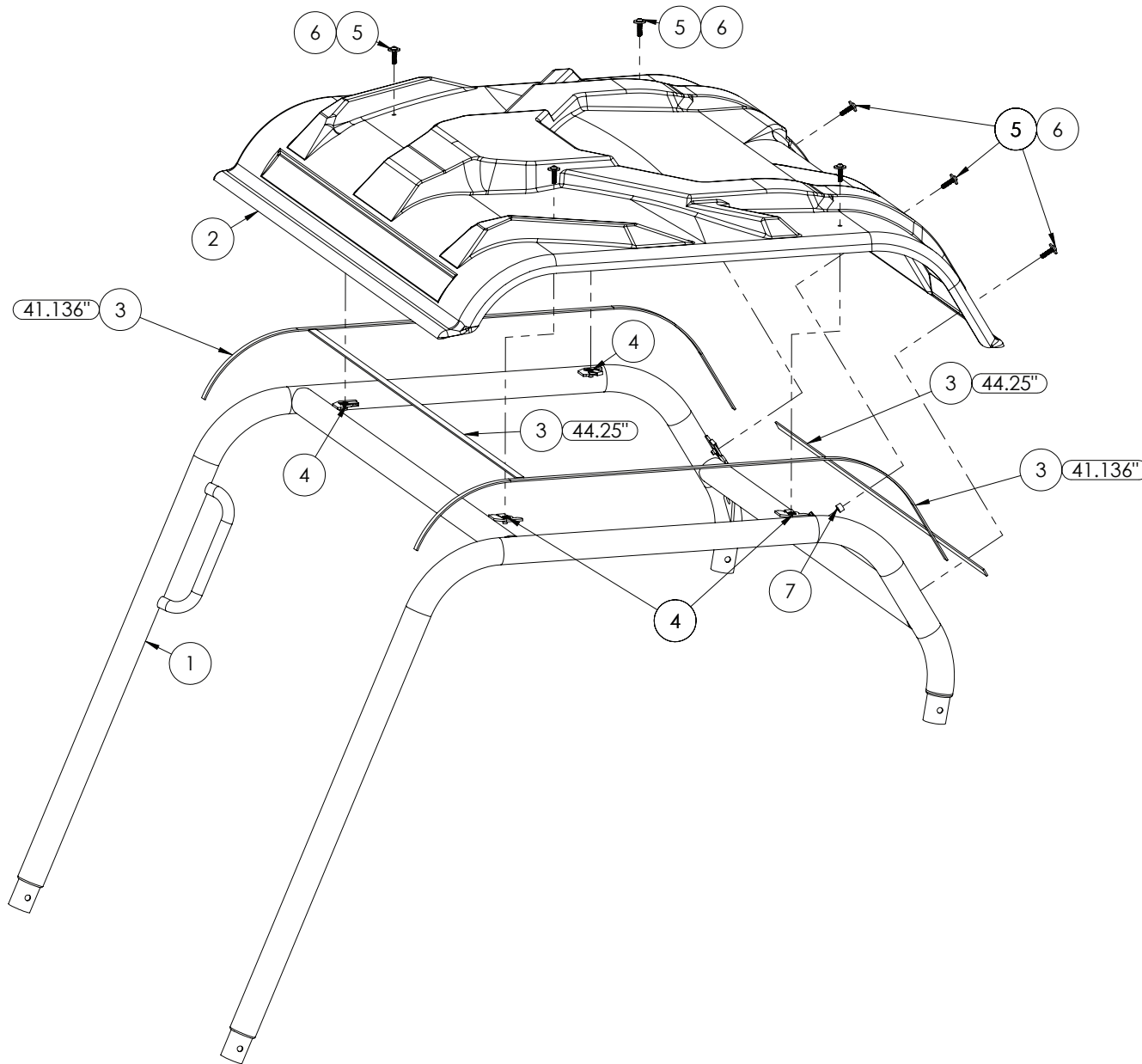
NOTE: Parts denoted as left hand (LH) are driver side. Parts denoted as right hand (RH) are passenger side.

REFERENCE NUMBER	PART NUMBER	PART DESCRIPTION	QUANTITY REQUIRED
1	18362-2	WDMT, OH B PILLAR - MY21	1
2	18551-2	WDMT, OH ROPS MY21	1
3	19018	BOLT, 3/8"-16 X 2.25" FLANGE HEAD BLACK GRADE 5	6
4	19019	NUT, 3/8"-16 NYLON INSERT GRADE 5 BLACK FLANGE NYLOCK	6



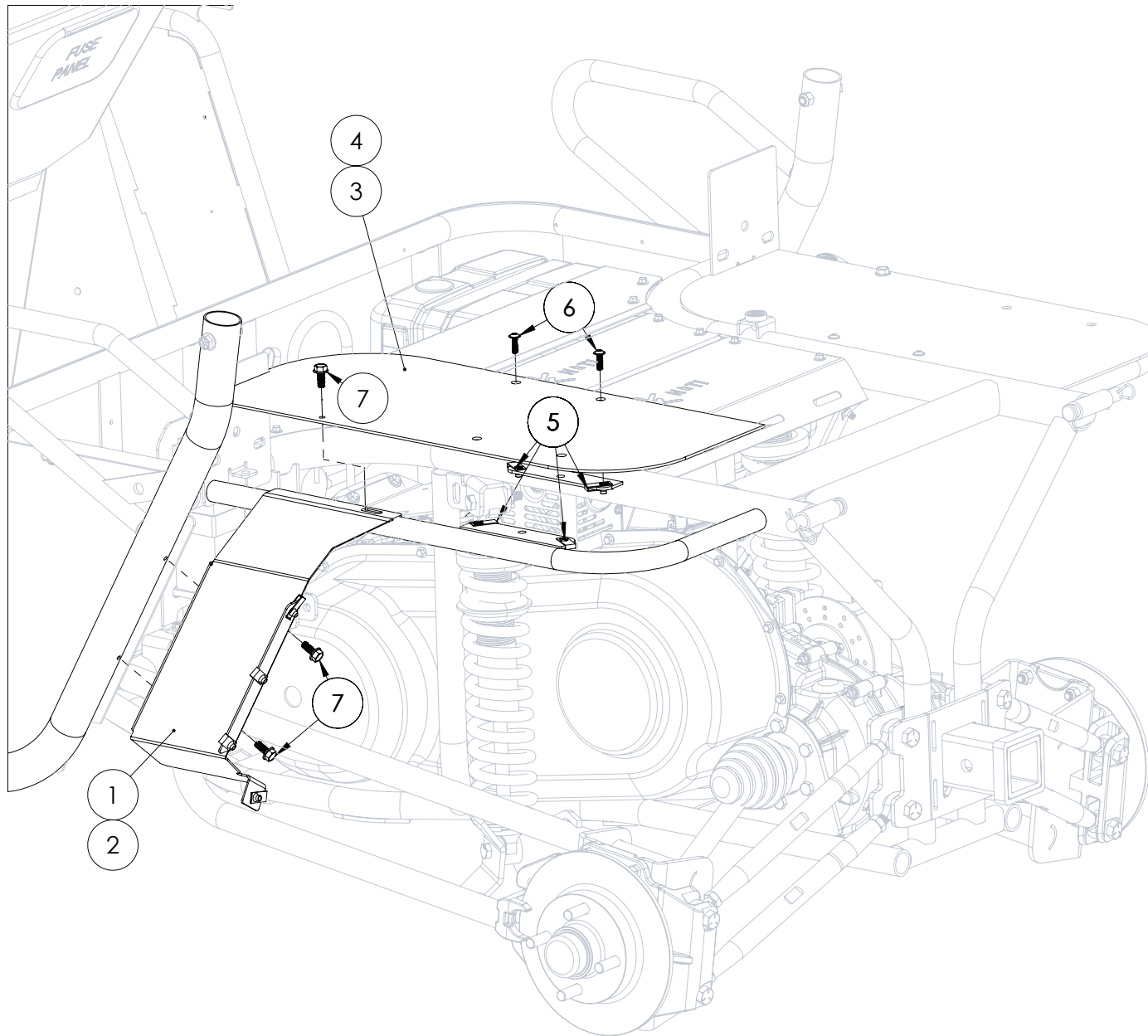
NOTE: Parts denoted as left hand (LH) are driver side. Parts denoted as right hand (RH) are passenger side.

REFERENCE NUMBER	PART NUMBER	PART DESCRIPTION	QUANTITY REQUIRED
1	18551-2	WDMT, OH ROPS MY21 - BLK	1
2	18215	ROOF, POLY BLACK 2021	1
3	2-60006	TAPE, FOAM - 1/4"X 3/4"	.42
4	15823	NUT, CLIP ON TAPPED - M6 X 1.0; 11 GA MA	7
5	17658	SCREW, M6-1.0 X 25 BLACK BHSS	7
6	17659	WASHER, 1/4 X 3/4 FLAT SEALING BLACK	7
7	2-18415	SPACER, 1/2 X 5/16 - BLK PLASTIC	1



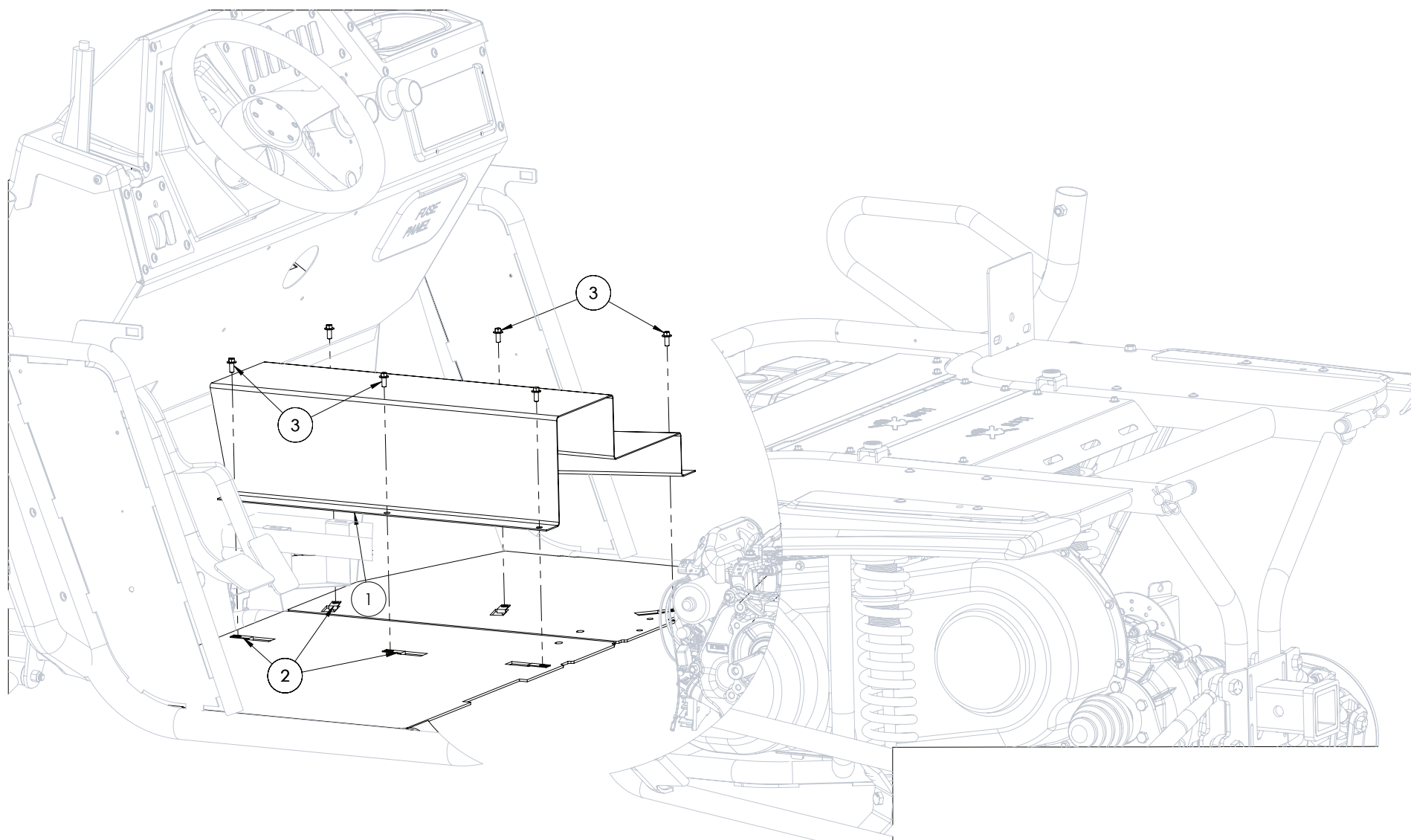
NOTE: Parts denoted as left hand (LH) are driver side. Parts denoted as right hand (RH) are passenger side.

REFERENCE NUMBER	PART NUMBER	PART DESCRIPTION	QUANTITY REQUIRED
1	18155-1	SKIRT, SIDE LH - RAW	1
2	18156-1	SKIRT, SIDE RH - RAW	1
3	18508	PANEL, FENDER TOP LH NO DUMP	1
4	18509	PANEL, FENDER TOP RH	1
5	15823	NUT, CLIP ON TAPPED - M6 X 1.0; 11 GA MA	8
6	18134	SCREW, M6 X 1 X 20 WIDE FLG BUTT HD SS	4
7	19076	SCREW, 5/16 X1.00 UNSLT HWSDS	6



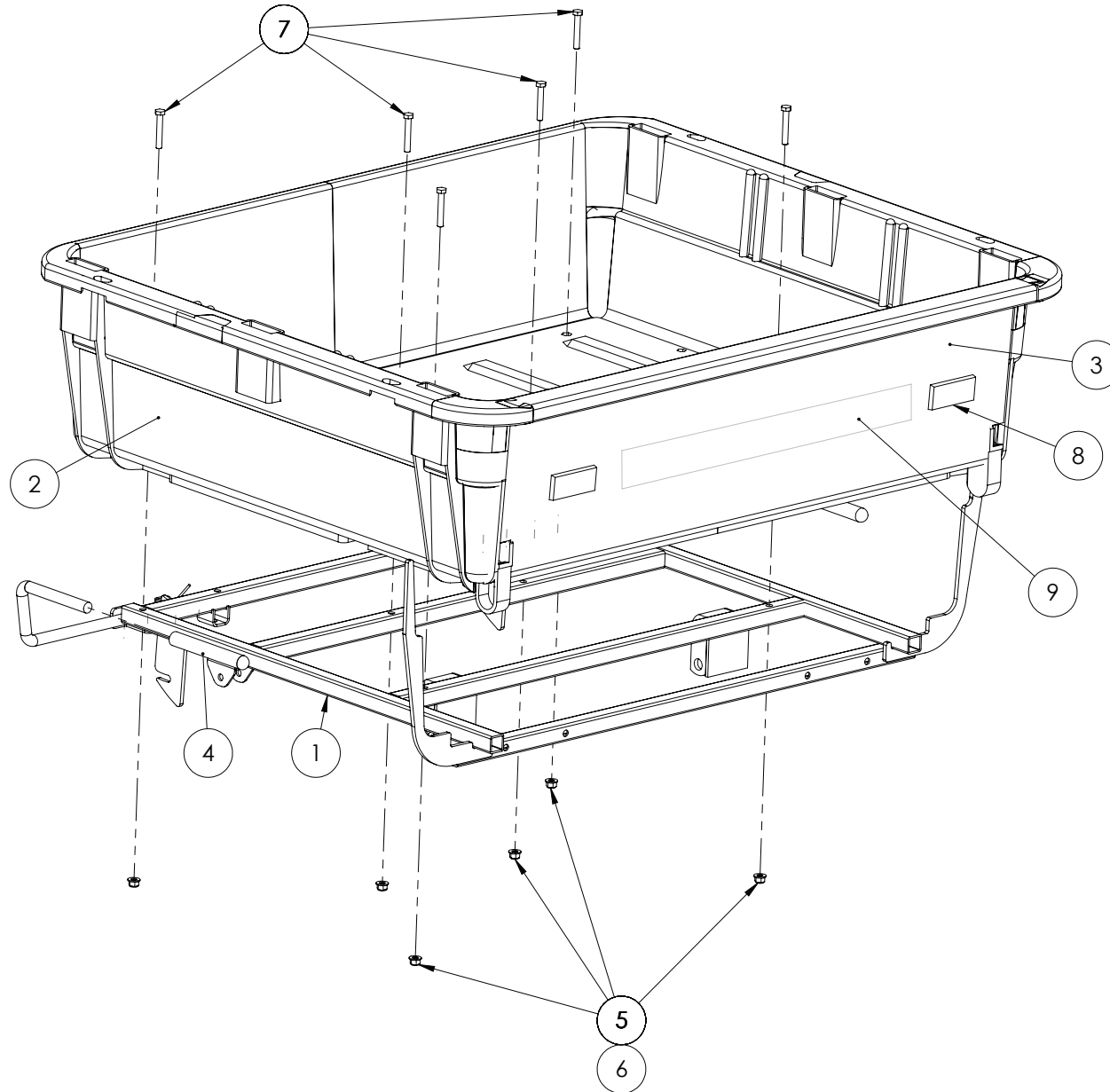
NOTE: Parts denoted as left hand (LH) are driver side. Parts denoted as right hand (RH) are passenger side.

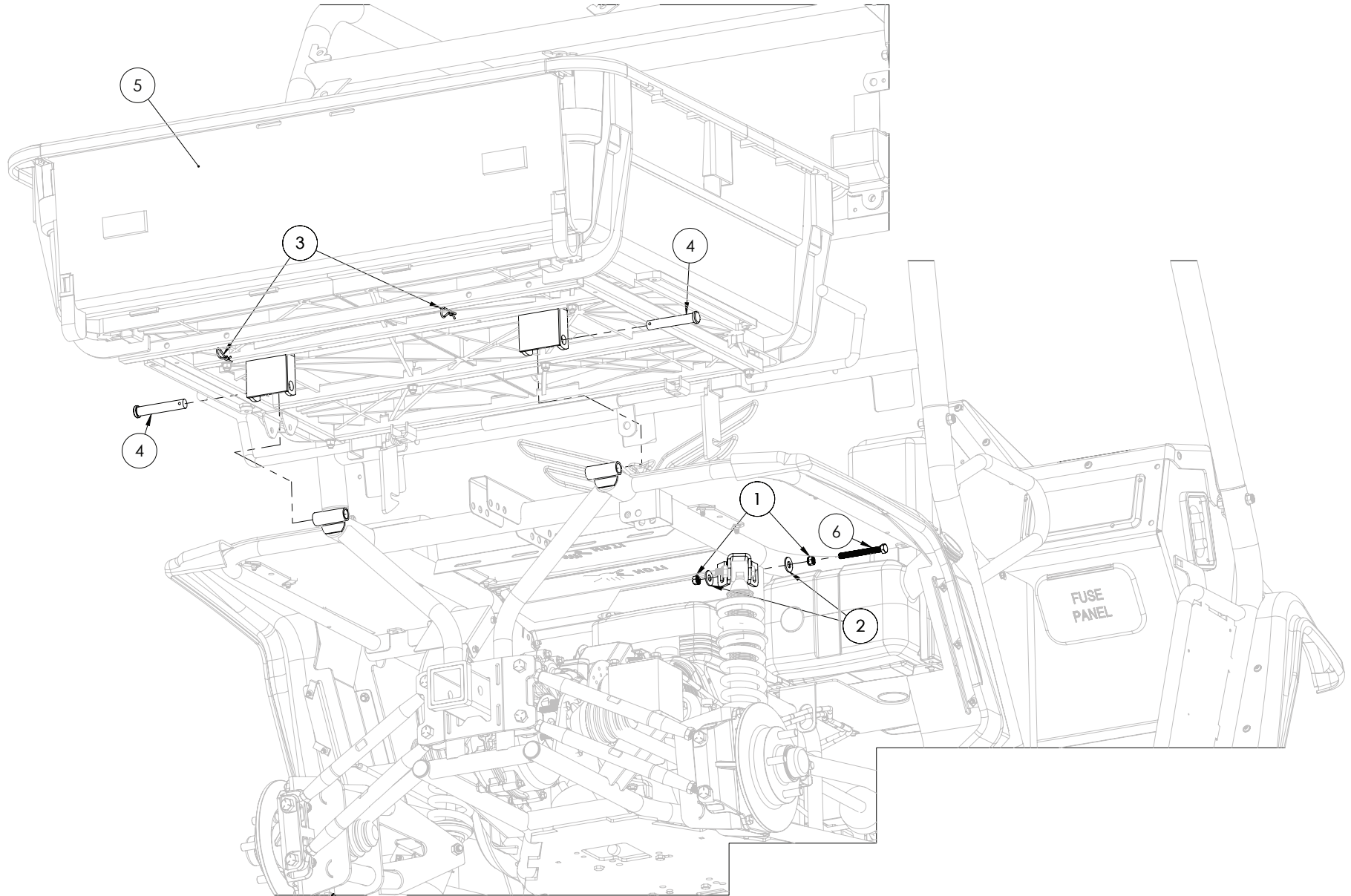
REFERENCE NUMBER	PART NUMBER	PART DESCRIPTION	QUANTITY REQUIRED
1	18158	BRKT, 4WD TUNNEL	1
2	15823	NUT, CLIP ON TAPPED - M6 X 1.0; 11 GA MA	6
3	14426	BOLT, M6 X 1.0 X 14	6



NOTE: Parts denoted as left hand (LH) are driver side. Parts denoted as right hand (RH) are passenger side.

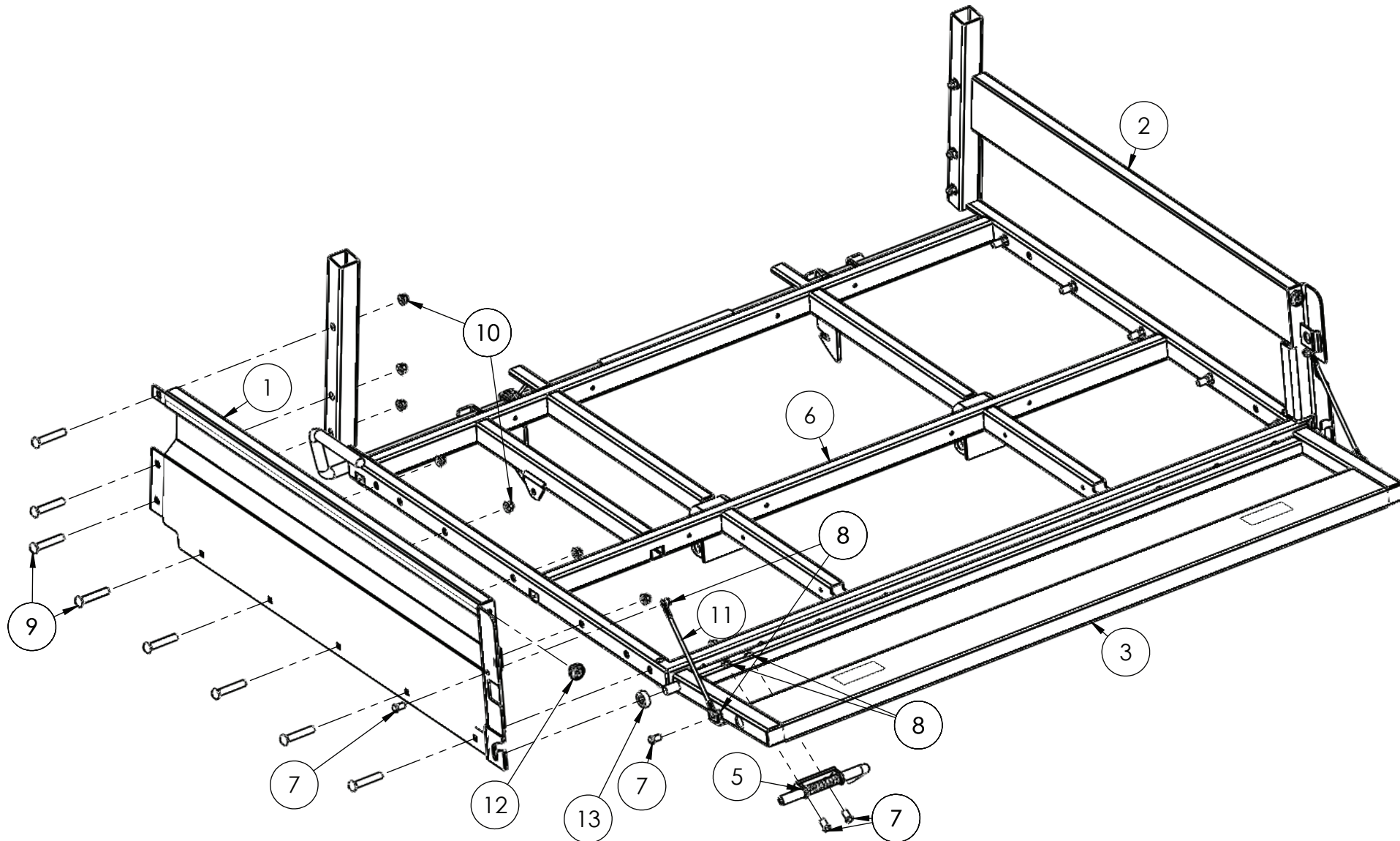
REFERENCE NUMBER	PART NUMBER	PART DESCRIPTION	QUANTITY REQUIRED
1	18564-2	WDMT, POLY BED FRAME-BLK	1
2	2-18356	BED, DUMP (STRUC FOAM)	1
3	2-18357	TAILGATE, UTV - DUMP BED STRUC FOAM	1
4	2-70241	RUBBER TUBE, BED LATCH COVER	2
5	2-50007	NUT, 5/16-18 NYLOCK	6
6	2-50701	WASHER, 5/16 SAE FLAT	6
7	2-50167	BOLT, 5/16IN X 2IN HEX HEAD G5	6
8	2-70150	REFLECTOR-UTV #RE10RB (RED)- ADHESIVE BACK	2
9	19162	DECAL, AML BLK WITH GRY LETTERS	1

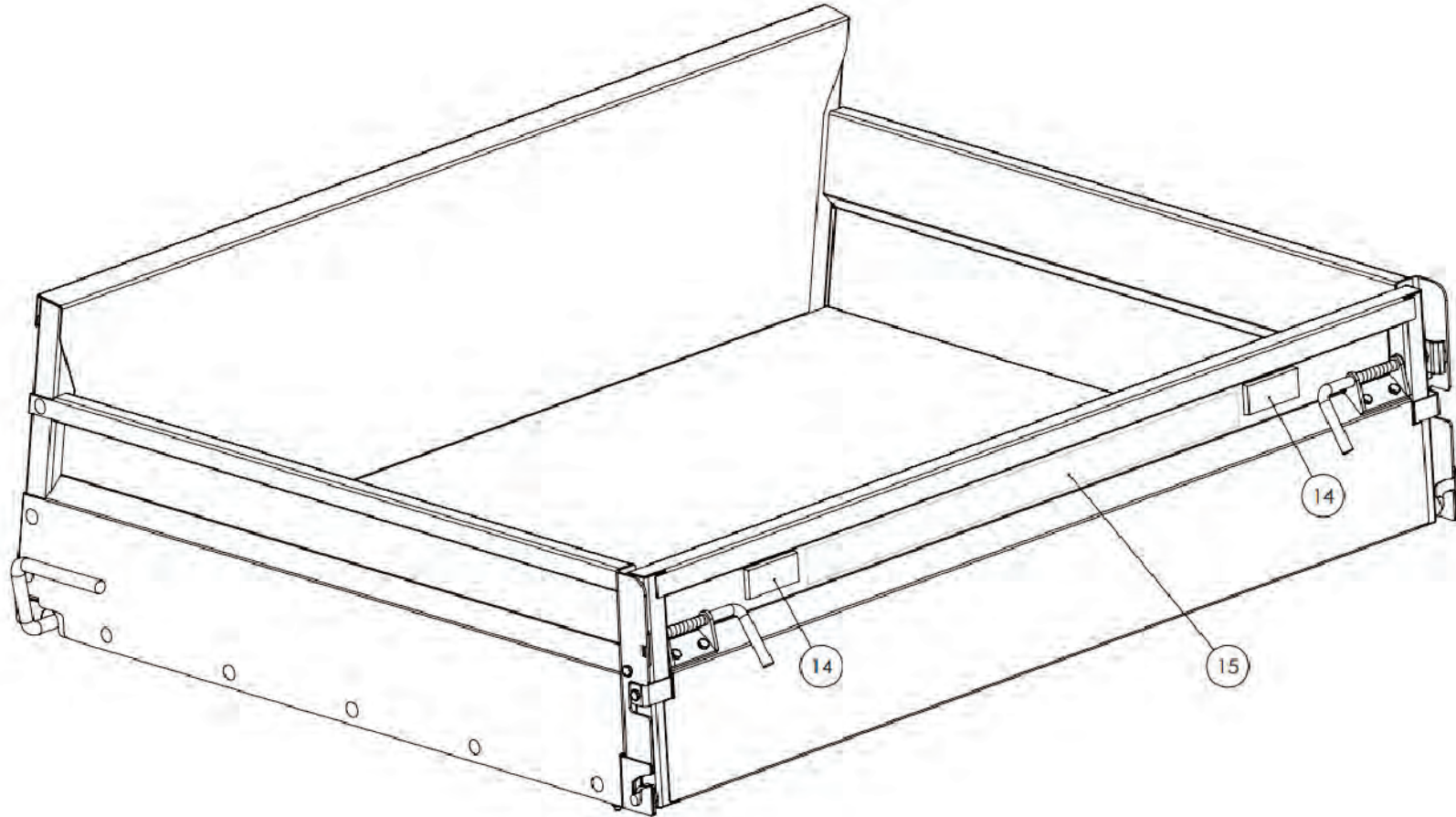




NOTE: Parts denoted as left hand (LH) are driver side. Parts denoted as right hand (RH) are passenger side.

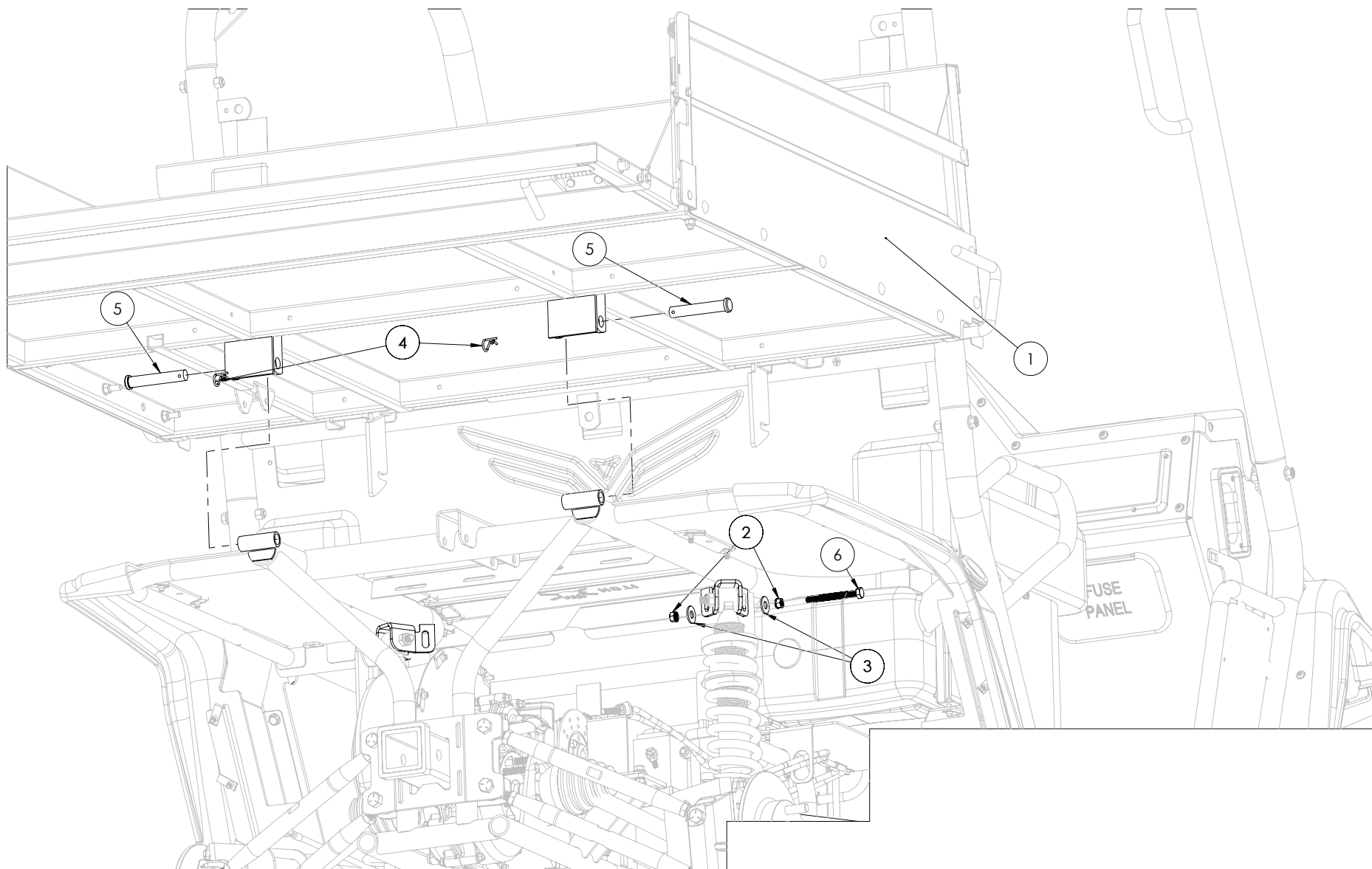
REFERENCE NUMBER	PART NUMBER	PART DESCRIPTION	QUANTITY REQUIRED
1	19401-1	WDMT, CONVERTIBLE BED SIDE - LH	1
2	19402-1	WDMT, CONVERTIBLE BED SIDE - RH	1
3	18477-1	WDMT, STEEL BED TAILGATE ASSY-RAW	1
4	18238	LATCH, SPRING BOLT RH	1
5	18239	LATCH, SPRING BOLT LH	1
6	18474-1	WDMT, STEEL FLAT BED ASSY-RAW	1
7	18527	BOLT, 1/4"-20 x 5/8 HHCS ZINC	8
8	15106	NUT, 1/4-20 NYLOCK	8
9	19286	BOLT, 5/16"-18 X 2-1/4" CARRIAGE ZINC GA	18
10	16300	NUT, 5/16"-18 NYLON LOCK W/ FLANGE ZN	18
11	18240	CABLE, BED LIMITING	2
12	2-18413	BED BUMPER 1.5 INCH (RUBBER)	2
13	18913	SPACER, 1" OD X 0.5" ID X 3/8"L NYLON	2
14	2-70150	REFLECTOR-UTV #RE10RB (RED)- ADHESIVE BACK	2
15	19162	DECAL, AML BLK WITH GRY	1





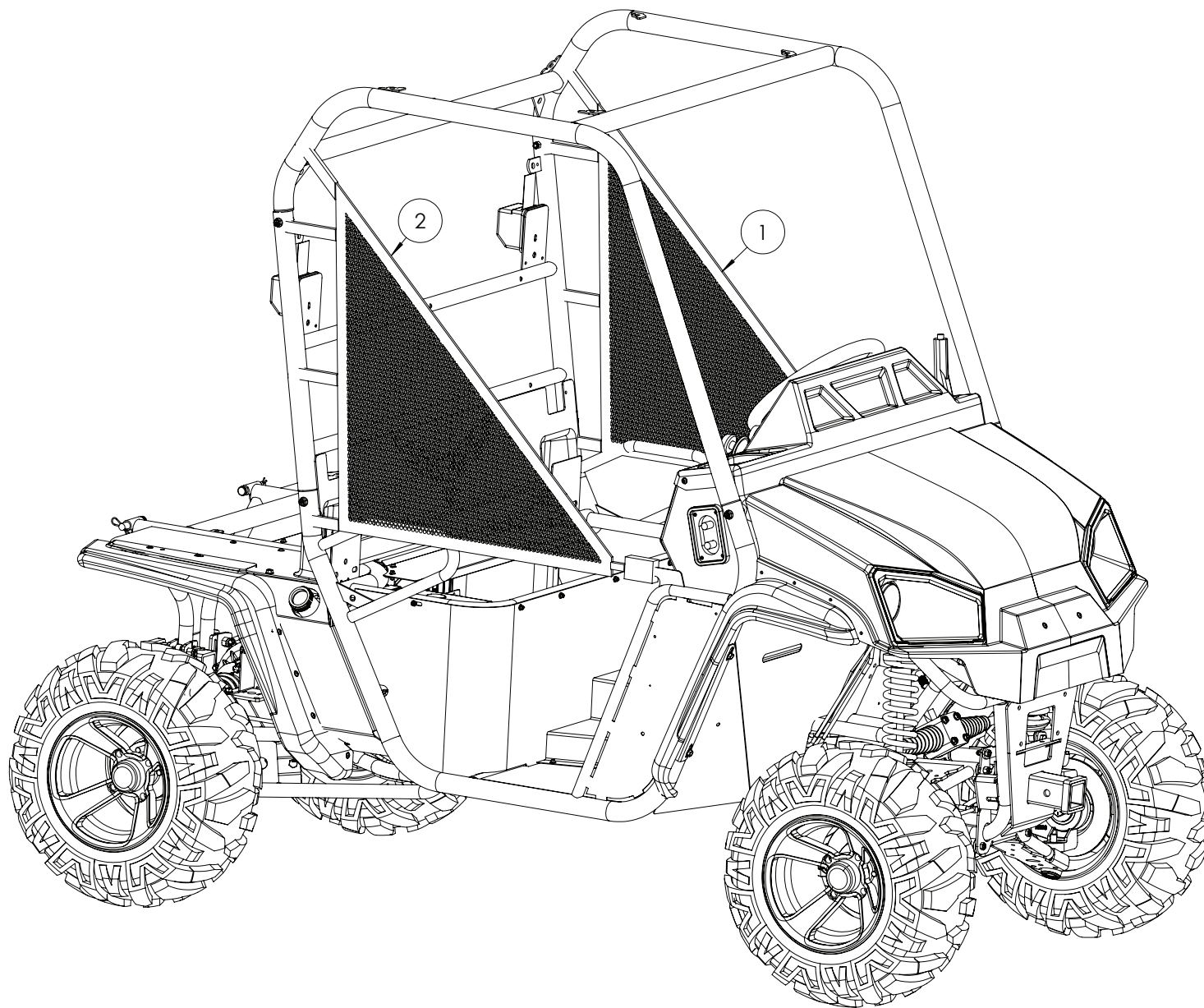
NOTE: Parts denoted as left hand (LH) are driver side. Parts denoted as right hand (RH) are passenger side.

REFERENCE NUMBER	PART NUMBER	PART DESCRIPTION	QUANTITY REQUIRED
1	18894	BED, STEEL BED ASSY	1
2	2-50005	NUT, 5/16-18 KEPS	4
3	2-50740	WASHER, 3/8IN USS FLAT WASHER	4
4	17660	PIN, BRIDGE .093 - ZINC	2
5	17661	PIN, CLEVIS - 5/8 X 3.50 ZINC	2
6	2-50212	BOLT, 3/8IN X 3-1/4IN HEX HEAD G5- ZINC	2



NOTE: Parts denoted as left hand (LH) are driver side. Parts denoted as right hand (RH) are passenger side.

REFERENCE NUMBER	PART NUMBER	PART DESCRIPTION	QUANTITY REQUIRED
1	18815	NET, SIDENET STD DRIVER	1
2	18848	NET, SIDENET STD PASSENGER	1





Passenger Side
L3-18570
L4-18571
L5-18574
L7-18572
L7x-18575
EV-18576

Driver Side
L3-18577
L4-18578
L5- 18580
L7-18579
L7X-18581
EV-18582

Name Plates -



18545

4x4 Bed Decal
*For 4WD vehicles only



18543

Side Hood Decal
*All vehicles get 2qty. One on each side of the vehicle



18546

Side Dash Decal
*All vehicles get 1qty on the driver side dash



18547

Front Hood Emblem



19162

Rear Bed Decal
(goes on all units)



18568

Center Steering Wheel Logo



18552

Fuse Box Label all models
gas and electric



18559

Drive Lever



18560

Differential Lever



18585

Electric Drive Decal



18586

Center Dash Decal For EV



**25" Standard Trail-Rider
(PN:19031)**

(Standard on L3, L4, L5, L5w, L7, L7x models. Optional for EV. 8" wide front 10" wide back)



**25" PREMIUM TRAIL-RIDER
(PN: 17288)**

(Optional for L3, L4, L5, L5w, L7, L7x, EV models. 8" wide front 10" wide back)



**25" Standard Max-Terrain HD
(PN: 19488)**

(Standard on EV model. Optional for L3, L4, L5, L5w, L7, L7x models. 8" wide front 10" wide back)



**25" Premium Max-Terrain HD
(PN: 19169)**

(Optional for L3, L4, L5, L5w, L7, L7x, EV models. 8" wide front 10" wide back)



**25" Standard Max-Terrain HD for
PRO Models (PN: 19172)**

(Standard on L7xI PRO model. 10" wide front 10" wide back)



**25" Premium Road & Turn
(PN: 19315)**

(Optional for L3, L4, L5, L5w, L7, L7x, EV models. Standard for Cruiser Packages. 8" wide front 10" wide back)