

Go-Karts "R" us DISCOUNT PARTS SUPERSTORE!

ORDERING PARTS

FAST & EASY!

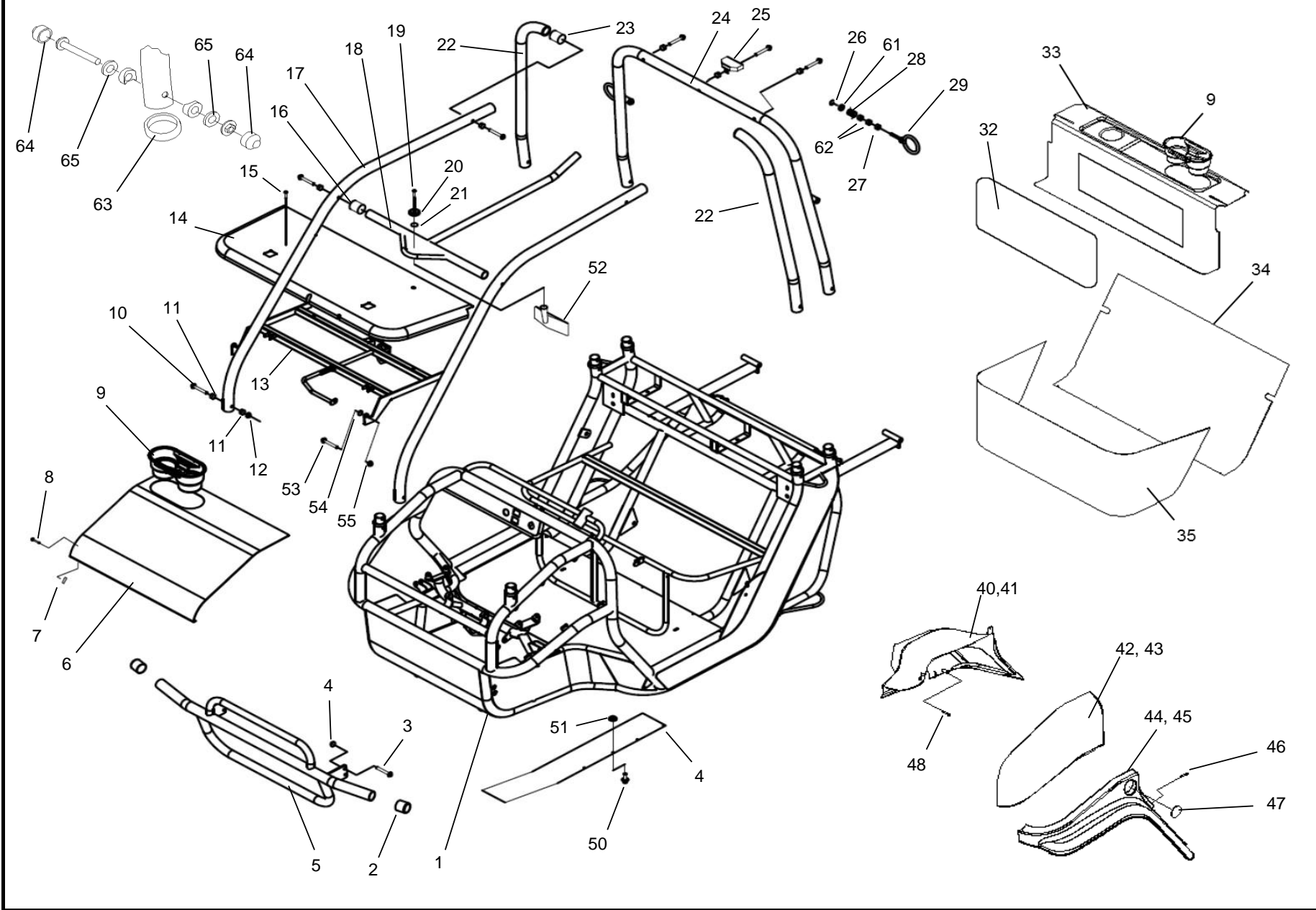
LOWEST PRICES!

- 1) Seek Part(s) from your models illustrated diagram, cross over REF# to PART#
- 2) Type PART# into sites [Search Box] at GoKartsRus.com TIP! - RIGHT CLICK LINK, SELECT
OPEN IN NEW TAB 
- 3) Add all needed parts to Shopping Cart | Complete "Checkout" | ✓ Done!

If a part does not come up in a Site Search, please [Contact Us](#) (include part# in email)

**Model 36V (Electric)
200 Series LUTV**

Section 1 - Frame Group

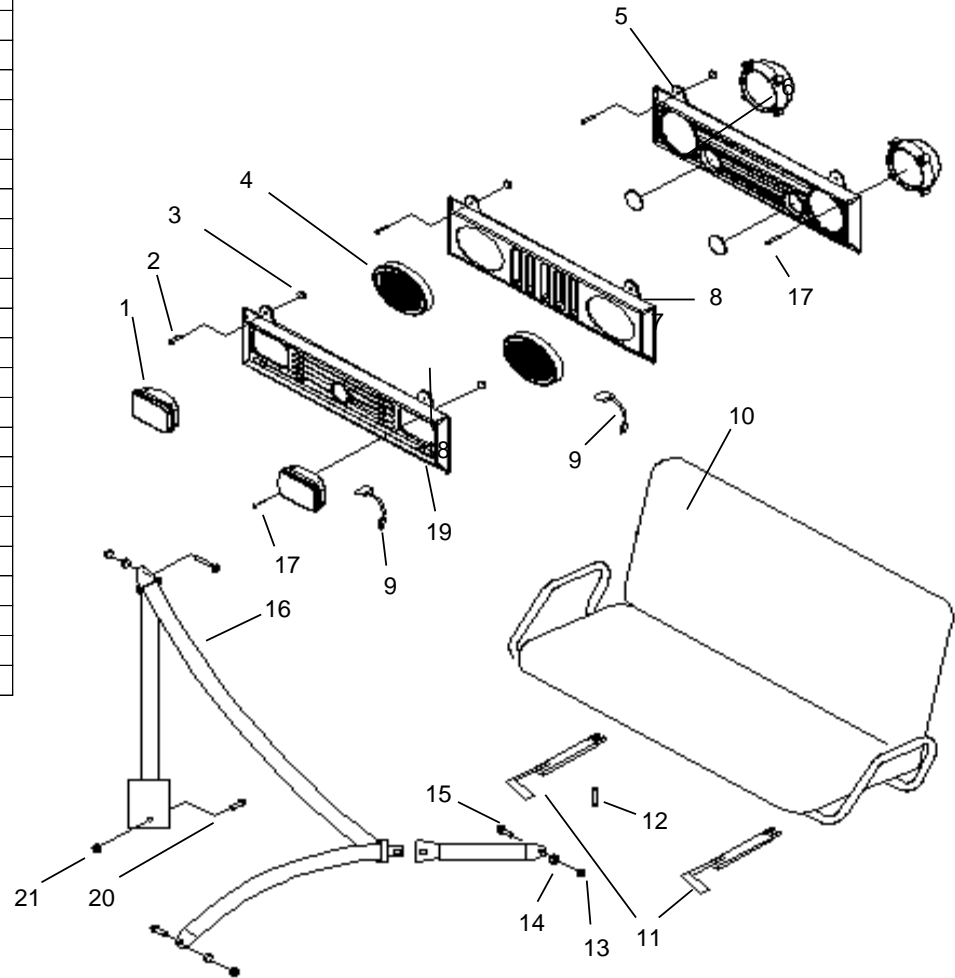


Section 1 - Frame Group

Ref No	Part No	Description	QTY	Ref No	Part No	Description	QTY
1	14858	FRAME, 200 SERIES - CHARCOAL	1	40	14874	WHEEL WELL, INNER RH - 200S	1
2	14843	CAP, RUBBER BUMPER - 200S	2	41	14875	WHEEL WELL, INNER LH - 200S	1
3	14436	BOLT, M8 X 1.25 X 25 FHCS ZN	4	42	14876	QUARTER PANEL, UPPER RH - 200S	1
4	14088	NUT, M8 X 1.25 LOCKING FLANGE ZN	4	43	14877	QUARTER PANEL, UPPER LH - 200S	1
5	14859	BUMPER, 200S - CHARCOAL	1	44	14878	FENDER FLARE, RH - 200S	1
6	14804-37	HOOD, 200 SERIES - RED	1	45	14879	FENDER FLARE, LH - 200S	1
6a	14804-38	HOOD, 200 SERIES - BLUE	1	46	14827	SCREW, M6 X 1.0 X 15 PHMS NYL - BLK	6
6b	14804-41	HOOD, 200 SERIES - DK GREEN	1	47	14784	REFLECTOR, 54.9 MM - AMBER	2
6c	14804-53	HOOD, 200 SERIES - MENARD GRN	1	48	14832	SCREW, M5 X 20 PAN ST - BLK	18
6d	14804-48	HOOD, 200 SERIES - CHAR	1	49	14880	SHIELD, CABLE HOUSING - 200S	1
7	14892	NUT, M6 TINNERMAN PLATED	7	50	14426	BOLT, M6 X 1.00 X 14 FHCS ZN	10
8	14820	BOLT, M6 X 1.00 X 14 FHSS	7	51	14358	NUT, M6 X 1.00 HEX FLANGE	10
9	14842	CUP HOLDER - 200S	2	52	14090	ASM, REAR VIEW MIRROR - 7150	1
10	14697	BOLT, M8 X 1.25 X 60 FHCS	13	53	14438	BOLT, M8 X 1.25 X 35 HHCS ZN	2
11	14837	WASHER, CONCAVE CLAMP - 200S	19	54	14293	WASHER, M8 FLAT ZN	2
12	14088	NUT, M8 X 1.25 LOCKING FLANGE ZN	6	55	14088	NUT, M8 X 1.25 LOCKING FLANGE ZN	2
13	14860	FRAME, SEAT TUB COVER - 200S - CHARCOAL	1	61	15046	CAP, TOOL HOLDER D - 200S	2
14	14861	COVER, SEAT TUB - 200S	1	62	15047	BUSHING, NYLON M12 12ID 20.5 OD 11.25 L	4
15	14893	RIVET, 3mm ALUMINUM	N/A	63	14941	SEAL, BAR CONNECTION - 1.5 IN	6
16	14084	ENDCAP, BAR - 1.00 BLACK PLASTIC	3	64	14945	COVER, BOLT CAP - 1.5 IN	18
17	14862	BAR, A PILLAR - 200S - CHARCOAL	2	65	14944	WASHER, BAR CONNECTION	18
18	14863	BAR, CENTER CROSS - 200S - CHARCOAL	1				
19	14425	BOLT, M5 X .75 X 25 PHMS ZN	1				
20	14098	WASHER, MIRROR MOUNT - 7150	1				
21	14494	WASHER, M5 SPLIT LOCK ZN	3				
22	14864	BAR, B PILLAR RH/LH - 200S - CHARCOAL	2				
23	14865	ENDCAP, BAR - 1.5 BLACK PLASTIC	4				
24	14866	BAR, C PILLAR - 200S - CHARCOAL	1				
25	14956	KIT, CARGO LIGHT - 200S	1				
26	15045	CIRCLIP M12 12ID 13.75 OD 1L	2				
27	14867	CAP, TOOL HOLDER - 200S	2				
28	14868	SPRING, TORSION TOOL HOLDER - 200S	2				
29	14869	LOOP, TOOL HOLDER - 200S	2				
32	15168	PANEL, REAR DECK ACCESS 36V	1				
33	14871	COVER, REAR DECK - 200S	1				
34	14872	BACKSPLASH, SEAT TUB - 200S	1				
35	14873	SURROUND, SEAT TUB - 200S	1				

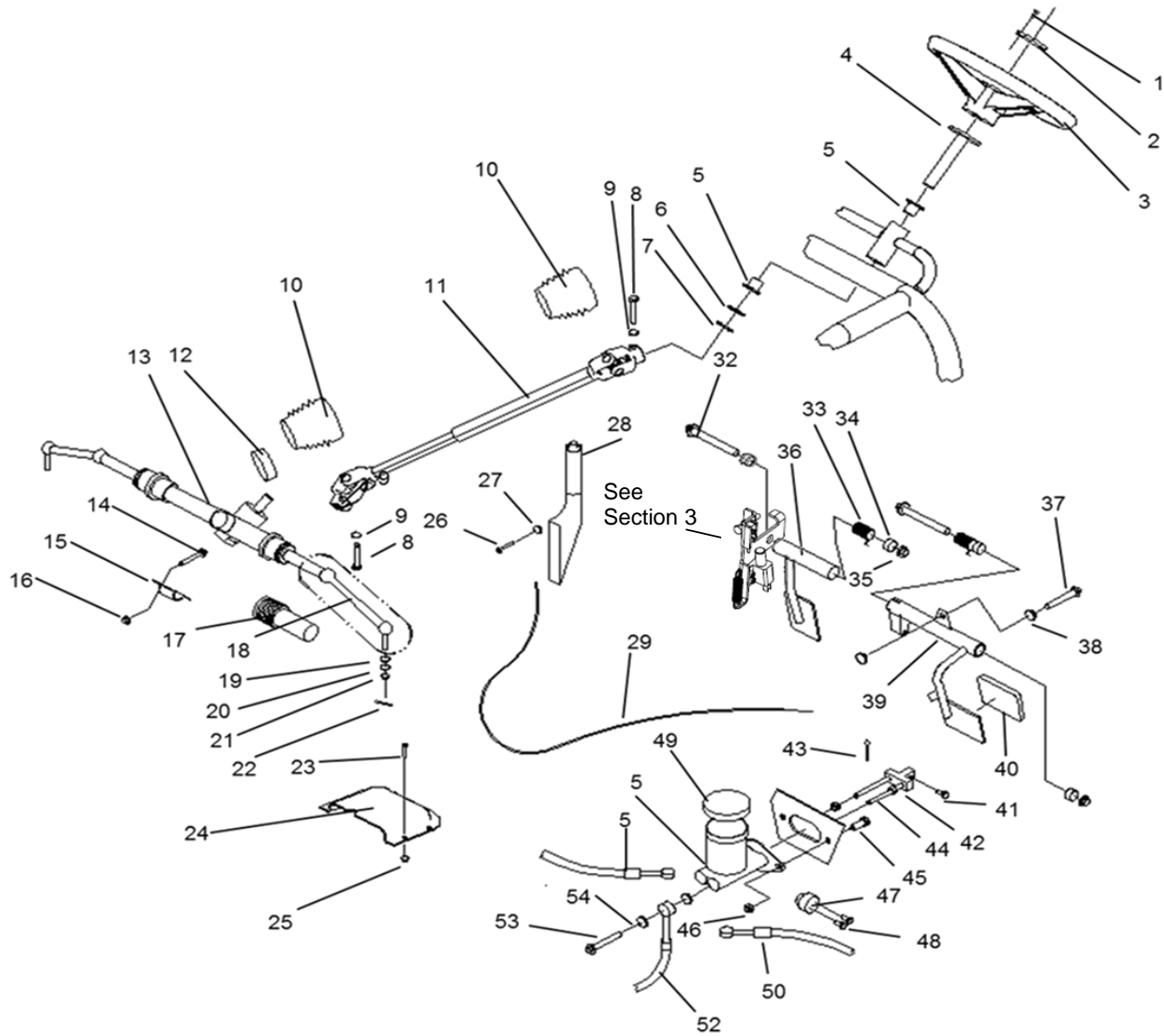
Section 1 - Frame Group (cont'd)

Ref No	Part No	Description	QTY
1	2-70133	LIGHT, UTV-RECTANGULAR (#0541172)	2
2	14341	BOLT, M6 X 1.00 X 20 FHCS ZN	4
3	14358	NUT, M6 X 1.00 HEX FLANGE	4
4	2-70129	LIGHT, ASM OVAL-SINGLE (725T/862-12V)	2
5	14768	LIGHT, 4.5 ROUND 35W	2
6	14802	GRILL - HOR W/RND LIGHT - 200 SERIES	1
7	14784	REFLECTOR, 54.9 MM - AMBER	2
8	14801	GRILL - VERT W/OVAL LIGHT - 200 SERIES	1
9	14807	HARNESS, ADAPTOR FOR OVAL & RECT LT	2
10	14844	SEAT, BENCH - 200S	1
10a	15121	ASM, SEAT - XLT	1
11	14171	SLIDE, SEAT (PR) - 6150/7150	1
12	14440	BOLT, M8 X 1.25 X 40 HHCS ZN	4
13	14324	NUT, M12 X 1.25 LOCKING FLANGE ZN	4
14	14289	WASHER, M12 FLAT ZN	4
15	14451	BOLT, M12 X 1.25 X 25 FHCS ZN	4
16	8778	HARNESS LAP SHOULDER REST	2
17	14936	SCREW, M5 X 0.80 X 15 PH - BLK	8
18	14491	NUT, M5 X .8 NYLOC ZN	8
19	14803	GRILL - HOR W/REC LIGHT - 200 SERIES	1
20	14451	BOLT, M12 X 1.25 X 25 FHCS ZN	2
21	14324	NUT, M12 X 1.25 LOCKING FLANGE ZN	2
22*	2-70127	HEAD LIGHT 862 BULB-REPLACEMENT #4831180	2
23	14994	COVER, SEAT SLIDE HANDLE (BLK)	2
24	15256	CAP, SEAT BELT SHOULDER	2



* Use in models with rectangle and oval lights only

Section 2 - Steering and Brakes



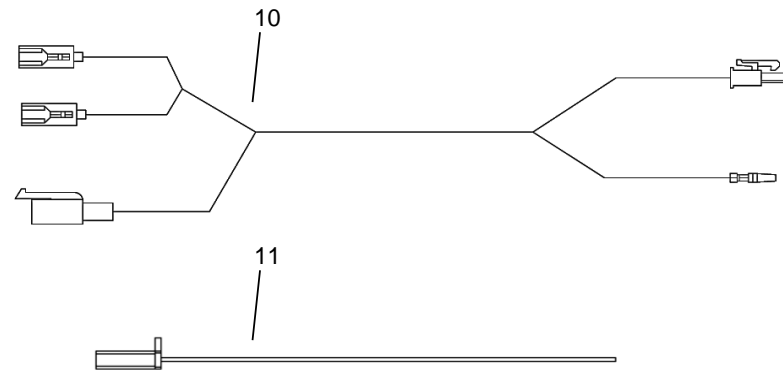
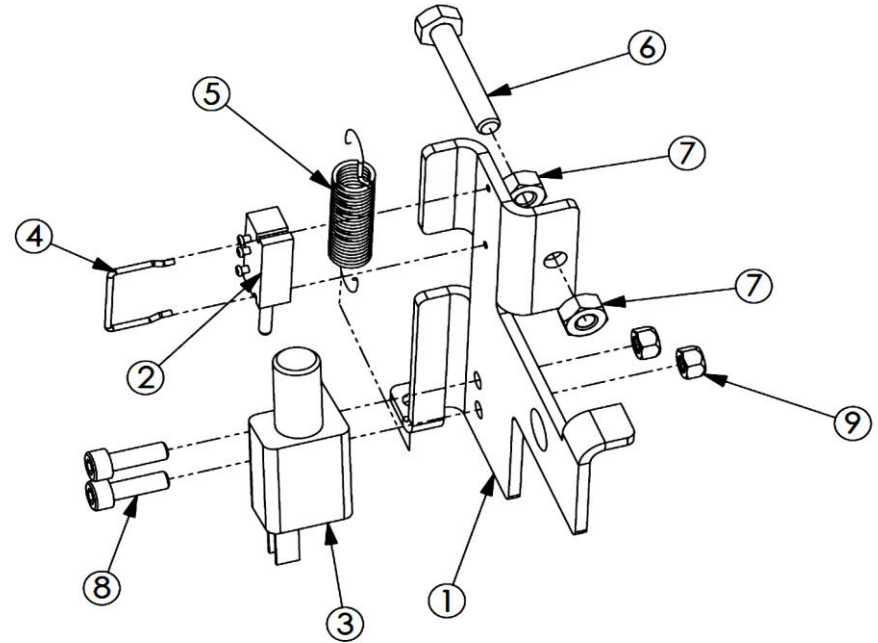
Section 2 - Steering and Brakes (cont'd)

Ref No	Part No	Description	QTY	Ref No	Part No	Description	QTY
1	14894	BOLT, M6 X 1.0 X 14 SHCS - ZN	6	37	14439	BOLT, M8 X 1.25 X 40 FHCS ZN	2
2	14846	CAP, STEERING WHEEL - 200S	1	38	14610	NUT, M8 X 1.25	4
3	14845	STEERING WHEEL - 200S	1	39	14854-48	PEDAL, BRAKE - 200S - CHAR	1
4	14847	SHAFT, STEERING - 200S	1	40	2-70261	PAD, RUBBER-BRAKE	2
5	14104	BUSHING, FLANGED SLEEVE 20 X 28 X 24.1	2	41	14116	PIN, M6 X 24 BRAKE BLOCK - 6150/7150	1
6	14895	WASHER, M20 FLAT ZN	1	42	14101	T BLOCK, BRAKE - 7150	1
7	14106	CIRCLIP, M20	1	43	14489	PIN, M2 X 12 COTTER	1
8	14437	BOLT, M8 X 1.25 X 25 HHCS ZN	2	44	14117	PUSHROD, BRAKE ADJUST - 7150	2
9	14495	WASHER, M8 SPLIT LOCK ZN	2	45	14438	BOLT, M8 X 1.25 X 35 HHCS ZN	2
10	14412	BOOT, STEERING SHAFT BLACK RUBBER - 7150	2	46	14088	NUT, M8 X 1.25 LOCKING FLANGE ZN	2
11	14896	SHAFT, STEERING U-JOINT - 200 SERIES	1	47	14118	SWITCH, BRAKE LIGHT - 7150	1
12	14738	DUST SHEILD, R & P BLACK RUBBER - 7150	1	48	14454	SCREW, M3 X .5 X 6 PHMS ZN	2
13	14848	ASM, RACK AND PINION - 200S	1	49	14131	CAP, BRAKE MASTER CYL - 7150	1
14	14436	BOLT, M8 X 1.25 X 25 FHCS ZN	4	50	14128	HOSE, HYD BRAKE - 34"	1
15	14112	BRACKET, RACK AND PINION MNT	2	51	14129	HOSE, HYD BRAKE - 43"	1
16	14088	NUT, M8 X 1.25 LOCKING FLANGE ZN	8	52	14130	HOSE, HYD BRAKE - 75"	1
17	14109	BOOT, R&P BLACK RUBBER - 7150	2	53	14460	BOLT, M10 X 24 BRAKE BANJO	3
18	14897	ASM, TIE ROD END - 200 SERIES	2	54	14127	WASHER, BRASS BRAKE LINE	6
19	14240	WASHER, M10 FLAT ZN	2	55	14121	ASM, MASTER CYLINDER - 7150	1
20	14241	WASHER, M10 SPLIT LOCK ZN	2				
21	14242	NUT, M10 X 1.25 CASTLE	2				
22	14110	PIN, M2 X 15 COTTER	2				
23	14426	BOLT, M6 X 1.00 X 14 FHCS ZN	5				
24	14900	COVER, FLOOR BRAKE ACCESS - 200S	1				
25	14236	NUT, M6 X 1.00 NYLOC ZN	5				
26	14426	BOLT, M6 X 1.00 X 14 FHCS ZN	2				
27	14236	NUT, M6 X 1.00 NYLOC ZN	2				
28	14849	HANDLE, PARK BRAKE - 200S	1				
29	14850	CABLE, PARK BRAKE - 200S	1				
32	14442	BOLT, M8 X 1.25 X 145 HHCS ZN	1				
33	14113	SPRING, THROTTLE PEDAL - 7150	1				
34	14119	BUSHING, SLEEVE 12 X 21 X 12	4				
35	14088	NUT, M8 X 1.25 LOCKING FLANGE ZN	8				
36	15214	PEDAL, THROTTLE 36V	1				

Section 3 - Throttle Assembly

Ref No	Part No	Description	QTY
1	15134	BRACKET, THROTTLE ASSY	1
2	15133	POTENTIOMETER, 5K THROTTLE 36V	1
3	15136	SWITCH, THROTTLE SAFETY	1
4	15140	CLIP, THROTTLE SENSOR	1
5	4365	SPRING EXTENSION .375 OD	1
6	15273	BOLT, 1/4-20 X 1.5 HHCS G2 ZN	1
7	15274	NUT, 1/4-20 ZN	2
8	14936	SCREW, M5 X 0.80 X 15 PH - BLK	2
9	14491	NUT, M5 X .8 NYLOC ZN	2
10	15181	HARNESS, THROTTLE	1
11	15218	HARNESS, THROTTLE SENSOR	1
12*	15310	SENSOR ASSY, THROTTLE	

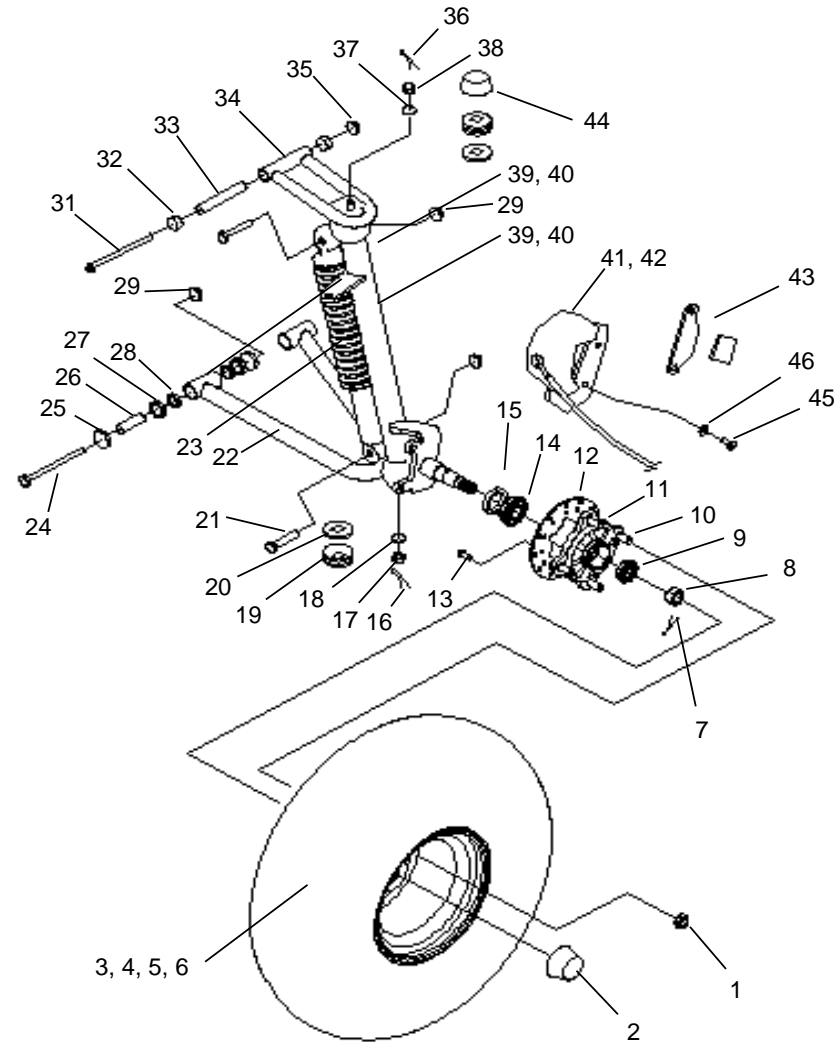
* Assembly includes Sensor and Harness (2 & 11)



Section 4 - Front Suspension

Ref No	Part No	Description	QTY
1	13979	NUT, M10 X 1.25 WF ZN	8
2	14151	CAP, HUB NOSE - BLACK RUBBER	2
3	14809	ASM, TIRE/WH RH - 20X8-8	1
4	14810	ASM, TIRE/WH LH - 20X8-8	1
5	14813	TIRE, FRONT 20X8-8	2
6	14756	WHEEL, 8 X 5 4-110MM, SILVER	2
7	14150	PIN, M2 X 20 COTTER	2
8	14727	NUT, M14 X 1.25 CASTLE	2
9	14149	BEARING, OUTER - 6202-Z	2
10	14147	STUD, M10 X 1.25 X 31 WHEEL	8
11	14148	HUB, FRONT WHEEL - 6150/7150	2
12	14144	DISC, FRONT BRAKE - 7150	2
13	14426	BOLT, M6 X 1.00 X 14 FHCS ZN	12
14	14146	BEARING, INNER - 6204-Z	2
15	14145	SEAL, M47 X 25 X 7 DUST	2
16	14490	PIN, M1.8 X 20 COTTER	4
17	14242	NUT, M10 X 1.25 CASTLE	2
18	14241	WASHER, M10 SPLIT LOCK ZN	2
19	14137	SEAL, BALL JOINT - 6150/7150	4
20	14138	SPACER, BALL JOINT HEAD - 6150/7150	4
21	14246	BOLT, M10 X 1.25 X 40 FHCS ZN	4
22	14157-48	A ARM, LOWER - CHAR W/ ZERK	2
23	14808	SHOCK, 325MM FRONT - CHR/M/BLK	2
24	14447	BOLT, M10 X 1.25 X 80 FHCS ZN	4
25	14154	CAP, DUST - LWR SUSP ARM - 7150	8
26	14140	SPANNER, A ARM LOWER - 7150	4
27	14155	BUSHING, FLANGED SLEEVE 15 X 21 X 16	8
28	14156	O-RING, M21.2 X 2.65	8
29	14243	NUT, M10 X 1.25 LOCKING FLANGE ZN	8
30	14594	GREASE ZERK - 7150	6
31	14133	BOLT, M8 X 1.25 X 105 FHCS ZN	2
32	14126	BUSHING, FLANGED SLEEVE 12 X 16 X 12	4
33	14134	SPANNER, A ARM UPPER - 7150	2
34	14136-48	A ARM, UPPER - CHAR W/ ZERK	2
35	14088	NUT, M8 X 1.25 LOCKING FLANGE ZN	2
36	14490	PIN, M1.8 X 20 COTTER	4
37	14245	WASHER, M12 SPLIT LOCK ZN	2
38	14243	NUT, M10 X 1.25 LOCKING FLANGE ZN	8
39	14139	ASM, STRUT/SPINDLE LH - CHAR - 7150	1
40	14132	ASM, STRUT/SPINDLE RH - CHAR - 7150	1
41	14152	ASM, BRAKE CALIPER - RF - 7150	1
42	14143	ASM, BRAKE CALIPER - LF - 7150	1

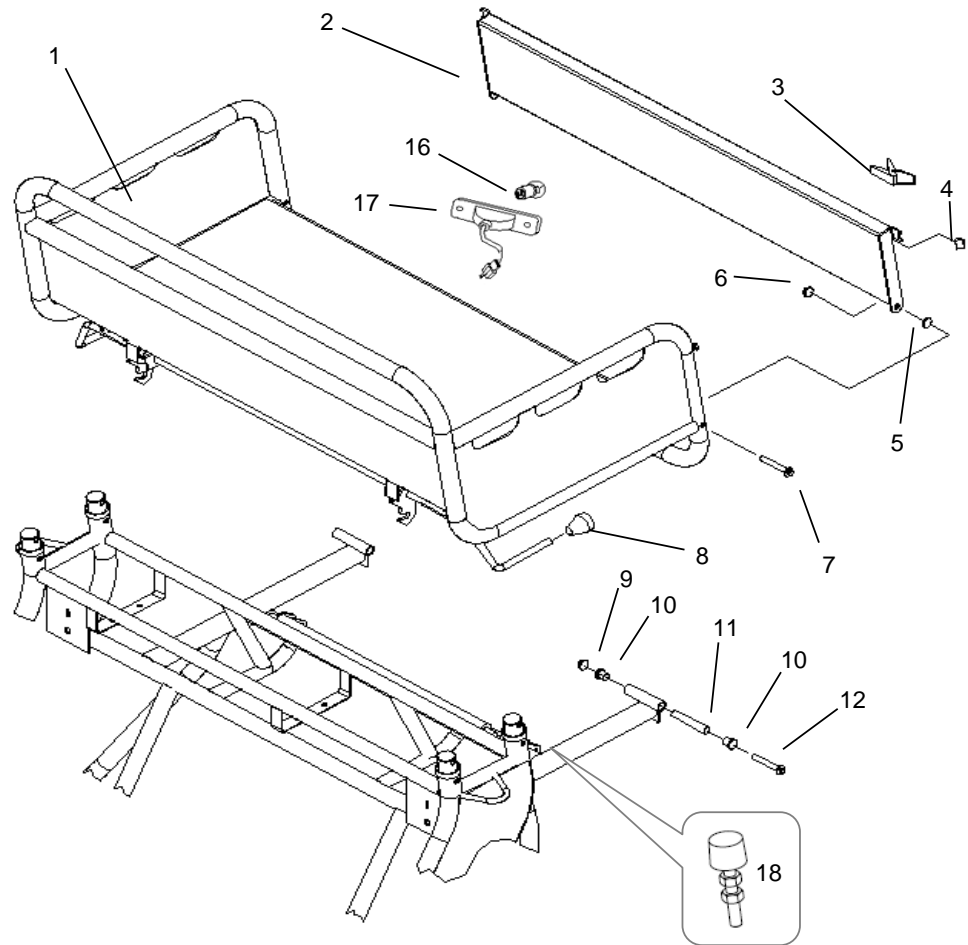
Ref No	Part No	Description	QTY
43	14142	KIT, BRAKE PAD FRONT - 7150	2
44	14834	CAP, NUT COVER RUBBER - BLK	2
45	14455	BOLT, M8 X 1.25 X 14 SHCS PL	4
46	14748	WASHER, M8 SPLIT LOCK	4



Section 5 - Bed/Tailgate Details

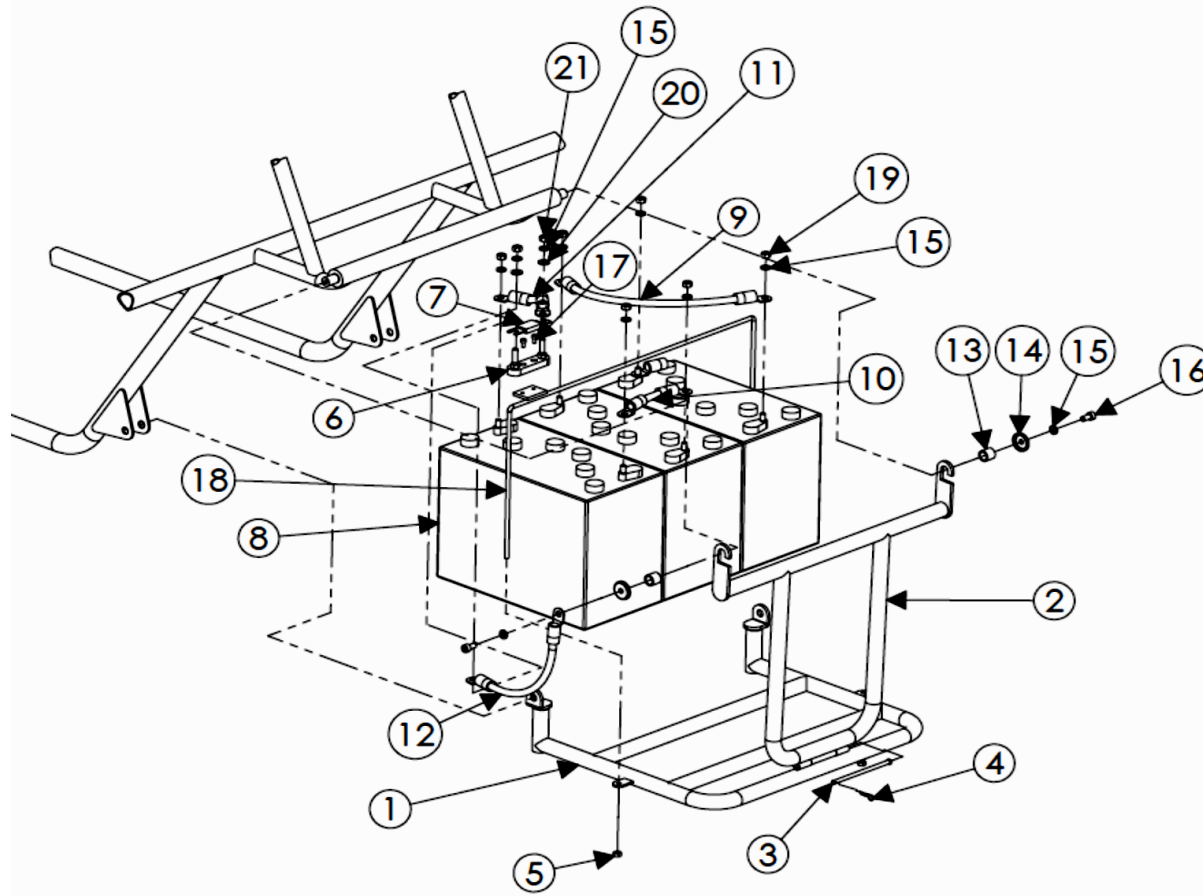
Ref No	Part No	Description	QTY
1	14901	BED, CARGO - 200S - CHARCOAL	1
2	14902	TAILGATE, 200S - CHARCOAL	1
3	14903	LATCH, TAILGATE - 200S - ZN	2
4	14904	BUSHING, TAILGATE - 200S	2
5	14293	WASHER, M8 FLAT ZN	2
6	14088	NUT, M8 X 1.25 LOCKING FLANGE ZN	2
7	14696	BOLT, M8 X 1.25 X 50 FHCS ZN	2
8	14905	KNOB, BED LATCH - 200S - BLK	2
9	14088	NUT, M8 X 1.25 LOCKING FLANGE ZN	2
10	14126	BUSHING, FLANGED SLEEVE 12 X 16 X 12	4
11	14134	SPANNER, A ARM UPPER - 7150	2
12	14133	BOLT, M8 X 1.25 X 105 FHCS ZN	2
13	14906	PIN, LATCH - 200S	3
14	14907	NUT, LATCH ADJUST - 200S	3
15	14908	BRACKET, LATCH ADJUST - 200S	3
16	14461	BULB, TAIL LIGHT - 12V 10/5W - 7150	1
17	14462	ASM, TAIL LIGHT W/BULB - 7150	1
18*	15088	SCREW, BED ADJUST W/BUMPER	2

* Assembly includes bolt, rubber cover, and mounting nuts.



Section 6 - Battery Rack

Ref No	Part No	Description	QTY
1	15149-48	RACK, LOWER BATTERY 36V - CHARCOAL	1
2	15150-48	RACK, UPPER BATTERY 36V - CHARCOAL	1
3	15232	PIN, CLEVIS BATT RACK 36V	1
3a	15309	CLEVIS PIN "L"	1
4	9993	PIN HITCH .062OD X 1.500 LONG	1
5	9057	NUT 1/4-20 TL Z	2
6	15138	HOLDER, FUSE ANL	1
7	15137	FUSE, 350AMP ANL	1
8	15165	BATTERY, 12V GOLF CAR - US12VXC155AH	3
9	15172	CABLE, 4GA BATT1-BATT2 RED 16IN	1
10	15173	CABLE, 4GA BATT2-BATT3 RED 6IN	1
11	15170	CABLE, 4AWG BATT3-FUSE BLK 6IN	1
12	15171	CABLE, 4GA GND-FUSE BLK 10IN	1
13	15130	SPANNER, .75OD .56ID .69IN ZN	2
14	14176	SPACER, SWINGARM LINK - 7150	2
15	14748	WASHER, M8 SPLIT LOCK DAC	10
16	14434	BOLT, M8 X 1.25 X 16 FHCS ZN	2
17	15258	SCREW, SOCKET HEAD #10-24 X .375	2
18	15148-2	BRACKET, BATT HOLD DOWN 36V - BLACK	1
19	2-50004	NUT, 5/16IN - 18 HEX	6
20	9060	WASHER 5/16 TYPE A PLAIN SAE N Z	2
21	14610	NUT, M8 X 1.25 DAC	2



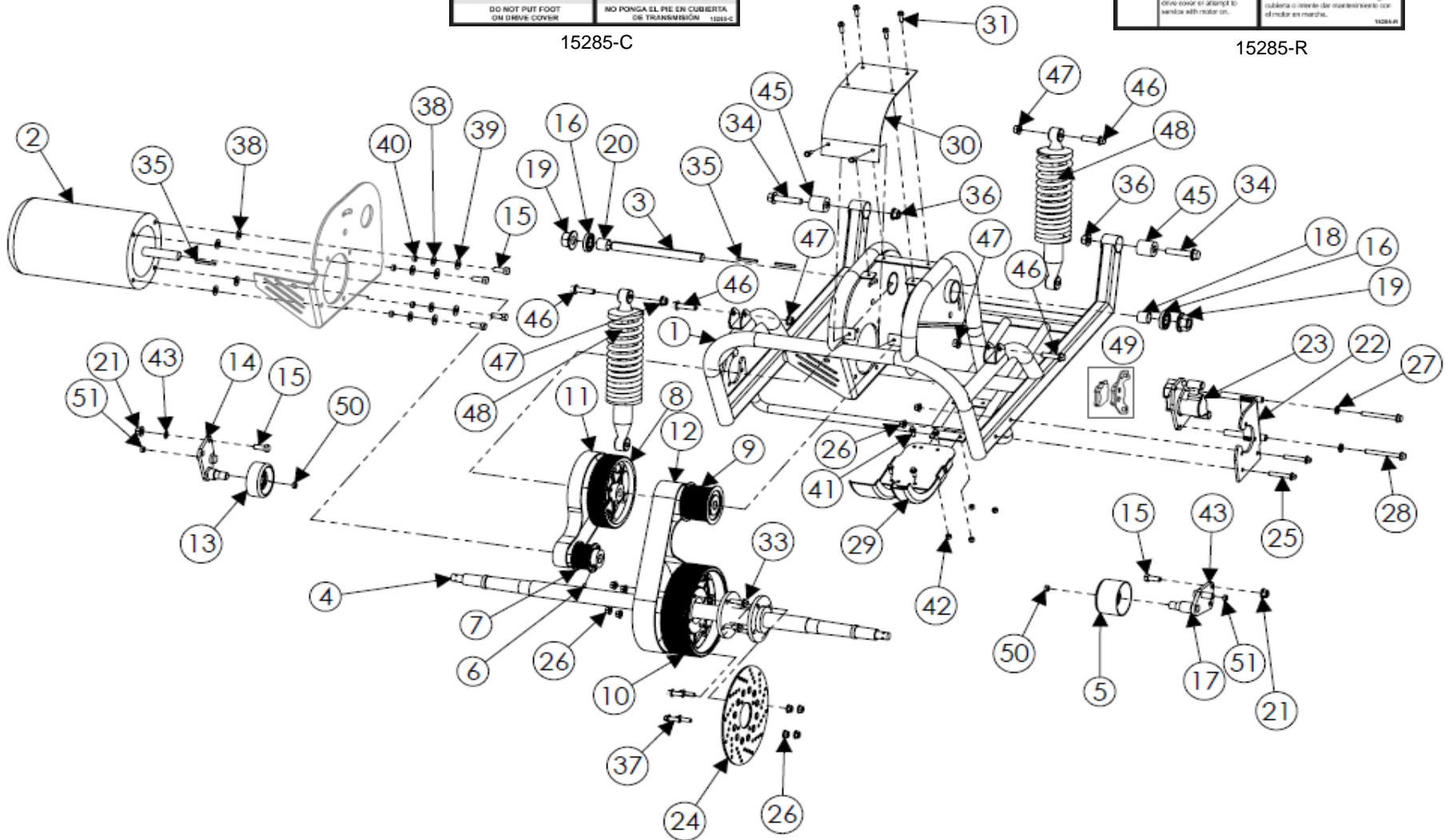
Section 7 - Rear Swingarm Asm

<p>▲ WARNING ▲ GUARD MUST BE IN PLACE This guard must be in place during motor operation. Keep hands, feet, and loose garments away from motor, belt, chain and other drive components.</p> <p>▲ CAUTION DO NOT PUT FOOT ON DRIVE COVER</p>	<p>▲ ADVERTENCIA ▲ PROTECTOR DEBE ESTAR EN SU LUGAR Este protector debe estar en su lugar durante la operación del motor. Mantenga manos, pies, y prendas sueltas alejados del motor, cadena, ranura, y otros elementos del motor.</p> <p>▲ PRECAUCION NO PONGA EL PIE EN CUBIERTA DE TRANSMISIÓN</p>
--	--

<p>▲ WARNING ▲ PINCH HAZARD Exercise caution when working on drive components. Drive components turn when vehicle is in motion. Check wheels before removing drive cover. Never remove drive cover or attempt to service with motor on.</p>	<p>▲ ADVERTENCIA ▲ PELIGRO DE PUNTO DE AGARRE Tenga precaución cuando está trabajando en los componentes de transmisión. La cadena gira cuando el motor está en marcha. Revise las ruedas antes de extraer la cubierta de la unidad. Nunca abra la cubierta o intente dar mantenimiento con el motor en marcha.</p>
---	---

15285-C

15285-R



Section 7 - Rear Swingarm Asm (cont'd)

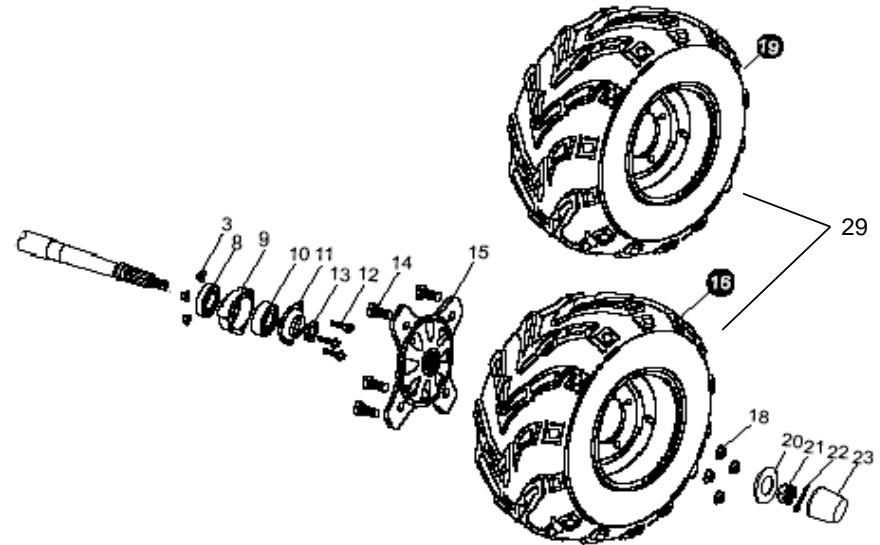
Ref No	Part No	Description	QTY	Ref No	Part No	Description	QTY
1	15178-48	SWINGARM, WDMT - 36V - CHARCOAL	1	26	14088	NUT, M8 X 1.25 LOCKING FLANGE ZN	10
2	15126	MOTOR, 36V EX1-4005	1	27	14748	WASHER, M8 SPLIT LOCK DAC	2
3	15128	JACKSHAFT, 0.75 X 8IN	1	28	14441	BOLT, M8 X 1.25 X 100 FHCS DAC	2
4	14816	AXLE, TAPERED END - 200 SERIES	1	29	15302	GUARD, LOWER BELT - 36V	1
5	15143	PULLEY, IDLER 50MM	1	30	15146	GUARD, BELT UPPER	1
6	15292	SCREW, SET M5 - .80 X 12 CUP POINT	1	31	15291	SCREW, THREAD CUTTING 1/4 - 20 X 1/2	6
7	15122	PULLEY, 22T DVR W/FLANGE 30MM HTD BELT	1	32	13354	NUT 5/8-11 CENTERLOCK HEX Z	2
8	15123	PULLEY, 64T DVN 30MM HTD BELT	1	33	14439	BOLT, M8 X 1.25 X 40 FHCS DAC	4
9	15124	PULLEY, 30T DVR W/FLANGE 50MM HTD BELT	1	34	14452	BOLT, M12 X 1.25 X 60 FHCS ZN	2
10	15125	PULLEY, 80T DVN 50MM HTD BELT	1	35	15264	KEY, 3/16 X 3/16 X 1.75	3
11	15144	BELT, TOOTHED HTD-720-8M-30	1	36	14324	NUT, M12 X 1.25 LOCKING FLANGE DAC	2
12	15145	BELT, TOOTHED HTD 1040-8M-50	1	37	14435	BOLT, M8 X 1.25 X 22 FHCS ZN	4
13	15142	PULLEY, IDLER 30MM	1	38	15282	WASHER, TEFLON .375ID .812OD .06THK	8
14	15147	BRACKET, TENSIONER 30MM PULLEY-E-COATED	1	39	9091	WASHER FLAT 3/8 SAE N Z	4
15	9099	BOLT 3/8-16 X 1.000 HHCS G5 Z	6	40	15283	TUBE, TEFLON .375ID, .0625WALL	4
16	12783	BEARING - 3/4ID X 1-3/4OD SNAP RING	2	41	14372	BOLT, M6 X 1.00 X 16 FHCS ZN	4
17	15257	BRACKET, TENSIONER 1.5IN SHAFT BLK E-COATED	1	42	14236	NUT, M6 X 1.00 NYLOC FLANGE ZN	4
18	15129	SPANNER, 1.00D.75ID 0.70IN ZN	1	43	15265	WASHER, 3/8 STAR EXT ZN	2
19	13355	NUT 3/4-10 CENTERLOCK HEX Z	2	44	13503	NUT 1/2-13 CENTERLOCK HEX ZINC	2
20	15250	SPANNER, 1.00D.75ID 0.80IN ZN	1	45	14191	BUSHING, SWINGARM ISOLATOR - 6150/7150	2
21	15268	NUT, 3/8 - 16 FL ZN	2	46	14246	BOLT, M10 X 1.25 X 40 FHCS DAC	4
22	15226	BRACKET, AXLE BOLT-ON 36V BLACK E-COAT	1	47	14243	NUT, M10 X 1.25 LOCKING FLANGE DAC	4
23*	14184	ASM, REAR CALIPER W/PARK - 7150	1	48	14535	SHOCK, REAR - CHR/YELLOW - 6150/7150	2
24	14202	DISC, 8.75 REAR BRAKE - 6150/7150	1	49	14183	KIT, REAR BRAKE PAD - 7150	1
25	14436	BOLT, M8 X 1.25 X 25 FHCS DAC	2				

* ASM Includes brake pads

Section 8 - Rear Wheel End

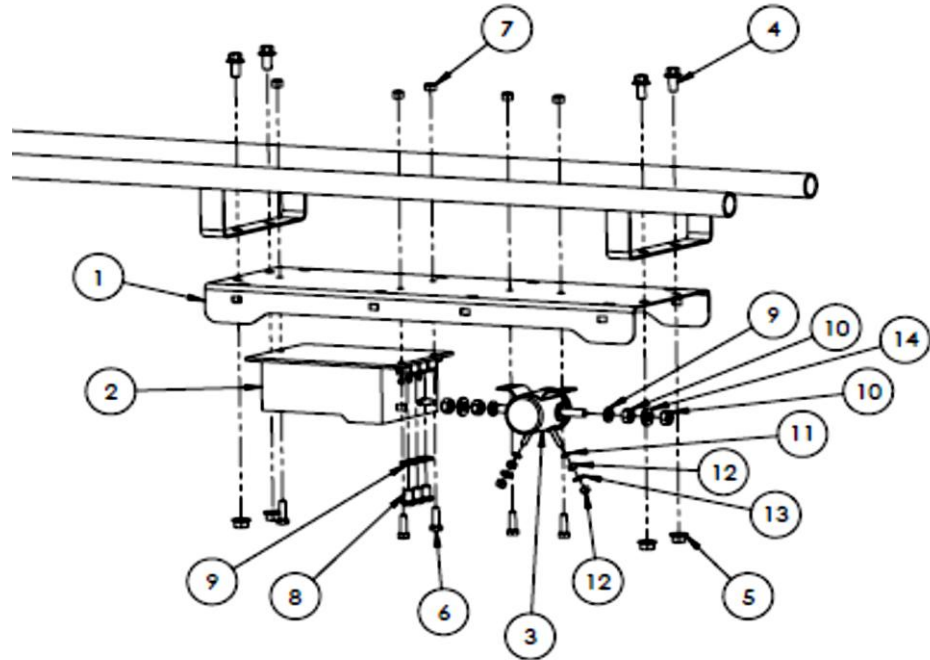
Ref No	Part No	Description	QTY
3	14088	NUT, M8 X 1.25 LOCKING FLANGE ZN	16
8	14206	SEAL, M50 X 34 X 7 DUST	2
9	14207	HOUSING, AXLE BRG - 6150/7150	2
10	14208	BEARING - 6206	2
11	14209	FLANGE, BEARING - 6150/7150	2
12	14439	BOLT, M8 X 1.25 X 40 FHCS ZN	6
13	14210	SEAL, M42 X 30 X 7 DUST	2
14	14147	STUD, M10 X 1.25 X 31 WHEEL	8
15	14817	HUB, TAPERED 150CC - 4-165MM	2
16	14811	ASM, TIRE/WH RH - 22X11-10	1
18	13979	NUT, M10 X 1.25 WF ZN	8
19	14812	ASM, TIRE/WH LH - 22X11-10	1
20	14248	SPACER, M16 X 16 X 4	2
21	14249	NUT, M16 X 2.00 CASTLE	2
22	14213	PIN, M4 X 30 COTTER	2
23	14151	CAP, HUB NOSE - BLACK RUBBER	2
27	14814	TIRE, 22X11-10 - FAR EAST	2
28	14758	WHEEL, 10 X 4.75 4-165MM, SILVER	2
29*	15209	TIRE, 22X11-10 FAR EAST F918 SAW OFFROAD	2

* Accessory tires for mud and snow.



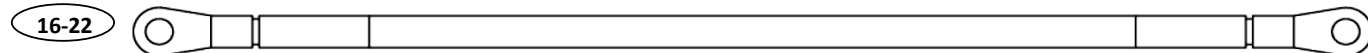
Section 9 - Motor Controller Assembly

Ref No	Part No	Description	QTY
1	15253-1E	BRACKET, CONTROLLER MOUNT 36V - E-COATED	1
2*	15127	CONTROLLER, 36V KCCA0004	1
3**	15131	CONTACTOR, 36V	1
4	14438	BOLT, M8 X 1.25 X 35 HHCS DAC	4
5	14088	NUT, M8 X 1.25 LOCKING FLANGE DAC	4
6	6370	BOLT M6 X 1.00 X 20 HHCS G5	5
7	14236	NUT, M6 X 1.00 NYLOC ZN	5
8	N/A	SCREW, 5/16 - 18 X 5/8" SHCS	3
9	N/A	WASHER, M8 SPLIT LOCK	15
10	N/A	NUT, M8 X ??? ZN	4
11	N/A	WASHER, M5 SPLIT LOCK	2
12	N/A	NUT, M5 X .75 ZN	4
13	N/A	WASHER, M5 FLAT	4
14	N/A	WASHER, M8 FLAT	4
15	15213	PRECHARGE RESISTOR 680 OHM	1
16	15169	CABLE, 4GA BATT-CONTROL RED 10IN	1
17	15174	CABLE, 4GA CONTACTOR-CONTROL RED 10IN	1
18	15175	CABLE, 4GA GND-CONTROL BLK 6IN	1
19	15176	CABLE, 4GA MOTOR A1-CONTROL BLK 48IN	1
20	15177	CABLE, 4GA MOTOR A2-CONTROL BLK 48IN	1
21	15211	CABLE, 10GA MOTOR F1-CONTROL BLK 48IN	1
22	15212	CABLE, 10GA MOTOR F1-CONTROL BLK 48IN	1



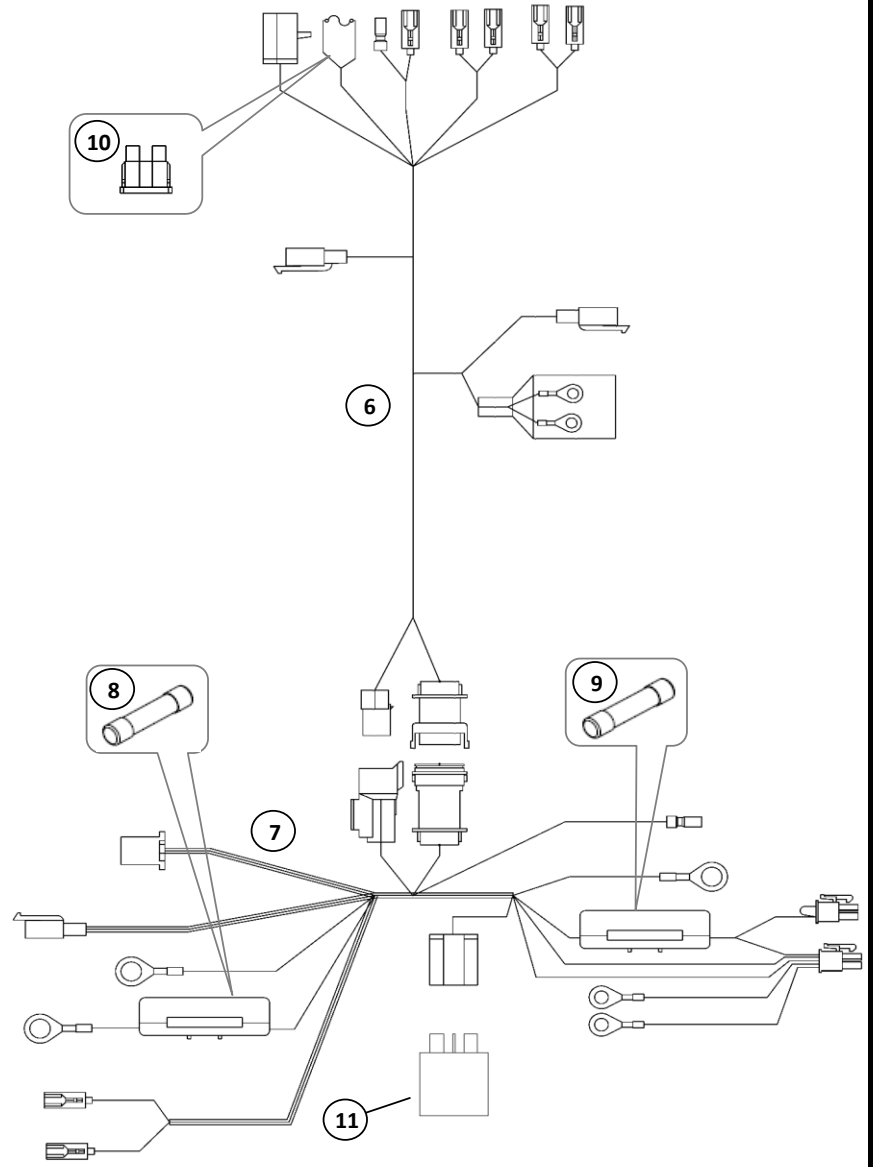
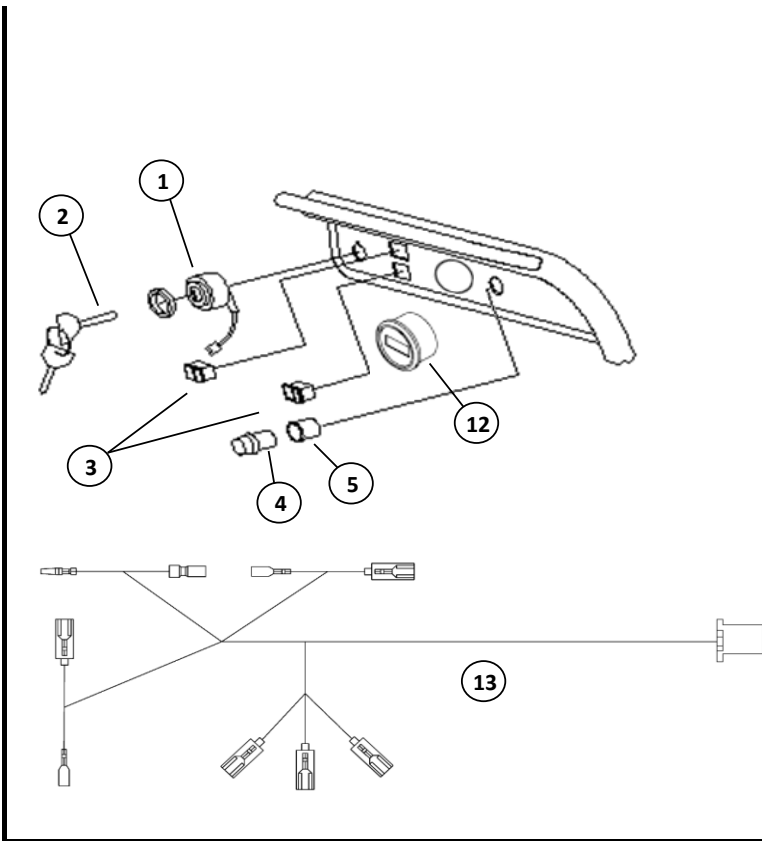
* Assembly includes lock washers and screws (8 & 9).

** Assembly includes all nuts and washers (8 - 14).



Section 10 - Electrical

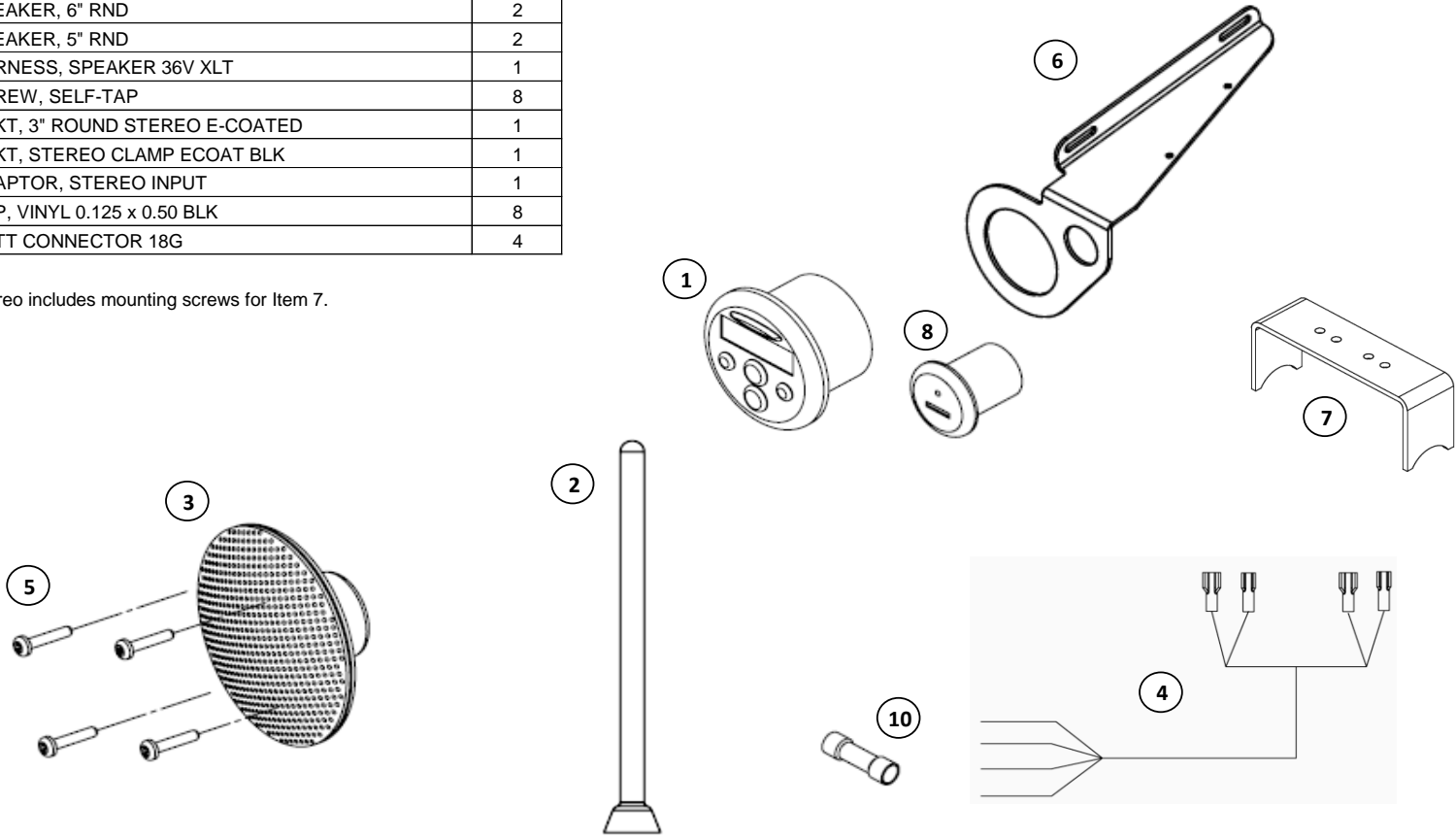
Ref No	Part No	Description	QTY
1	14222	SWITCH, KEYED IGNITION W/KEY - 6150/7150	1
2	14588	KEY SET - 6150/7150	1
3	14220	SWITCH, HEADLIGHT - 7150	2
4	14914	PLUG, WEATHER - 12V OUTLET	1
5	14915	OUTLET, 12V 15A	1
6	15083	HARNESS, MAIN W/ FUSE - 200	1
7	15180	HARNESS, SWINGARM - 36V	1
8	14231	FUSE, 15AMP - WAYTEK 46115	1
9	9389	FUSE 10 AMP GLASS TYPE	1
10	82664	FUSE, 15AMP ATC/ATO BLADE FUSE	1
11	15016	RELAY, BRAKE INTERLOCK - 200S	1
12	15141	GAUGE, BATT LEVEL - 36V	1
13	15267	HARNESS, DASH 36V	1



Section 11 - Radio (XLT Only)

Ref No	Part No	Description	QTY
1*	15215	STEREO, DIGITAL 3" ROUND - 200	1
2	15242	ANTENNA, UNIVERSAL MOUNT	1
3	15216	SPEAKER, 6" RND	2
3a	15320	SPEAKER, 5" RND	2
4	15251	HARNES, SPEAKER 36V XLT	1
5	15301	SCREW, SELF-TAP	8
6	15210-1E	BRKT, 3" ROUND STEREO E-COATED	1
7	15217-1E	BRKT, STEREO CLAMP ECOAT BLK	1
8	15243	ADAPTOR, STEREO INPUT	1
9	15308	CAP, VINYL 0.125 x 0.50 BLK	8
10	2650	BUTT CONNECTOR 18G	4

* Stereo includes mounting screws for Item 7.

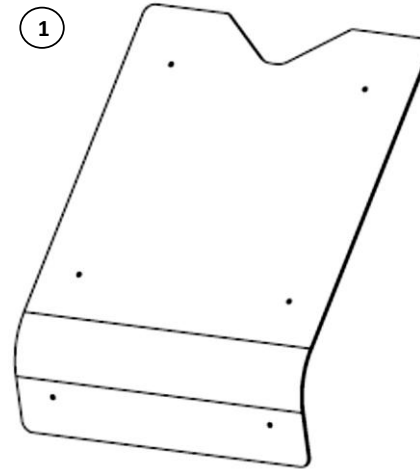
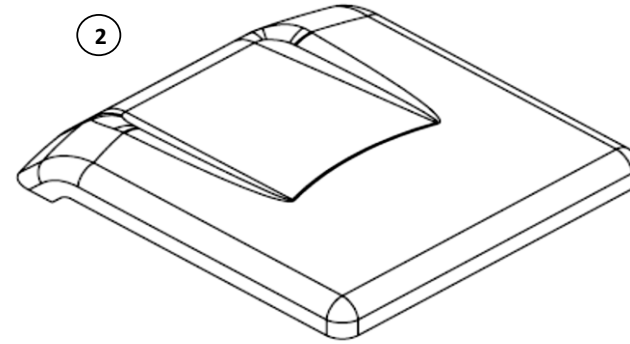


Section 12 - Windscreen and Top (XLT Only)

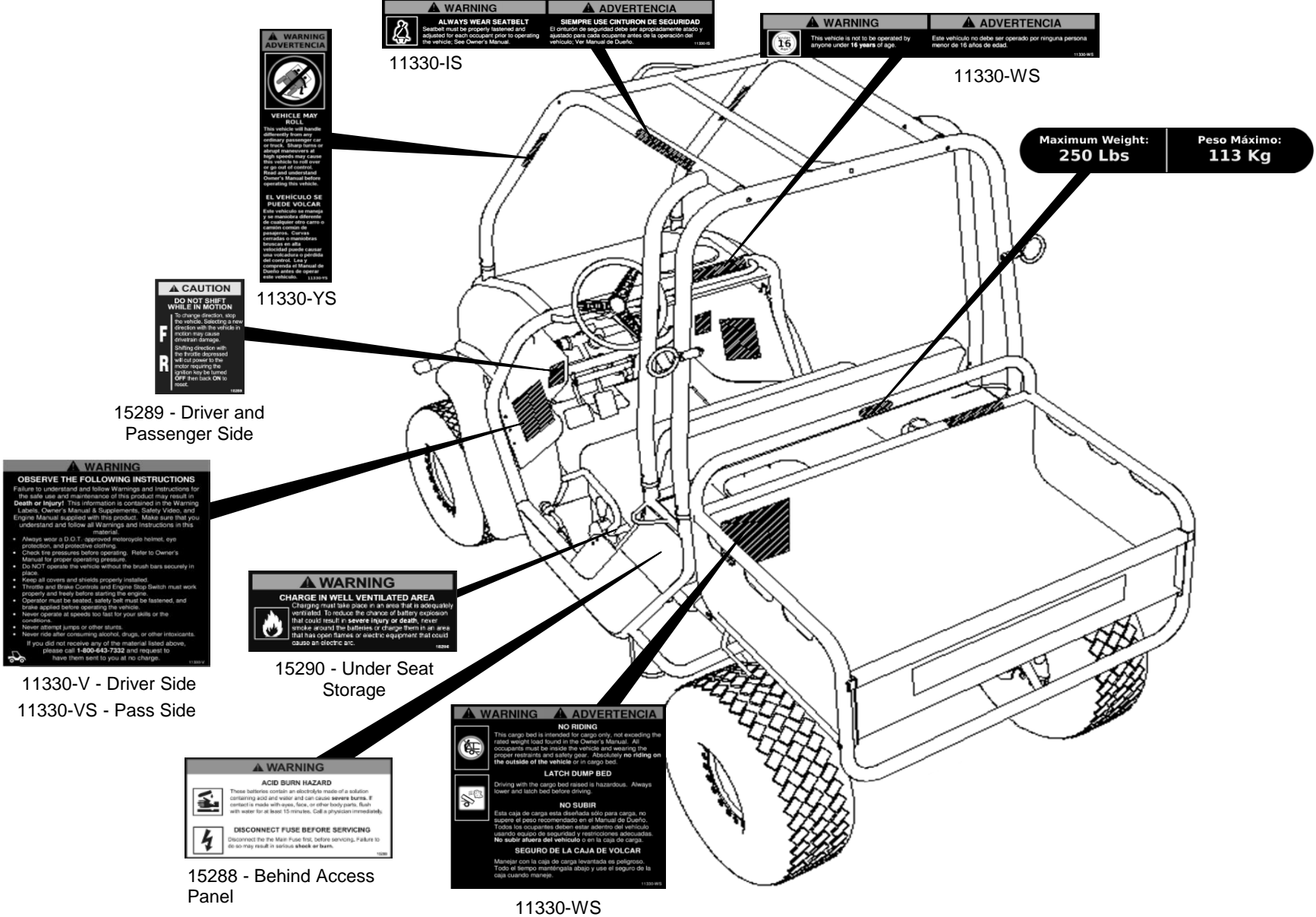
Ref No	Part No	Description	QTY
1*	15182	KIT, HARD WINDSCREEN - 200	1
2**	15183	KIT, HARD TOP - 200	1
3	2-70231	RUBBER, BUMPER-ROUND DOME (MC#95495K12)	2
	15089	WINDSCREEN - 200	
	15151	BOLT 1/4-20 X 1.250 PHTORX ZN	
	15108	WASHER, 1/4IN RUBBER-DOME	
	15106	NUT, 1/4-20 NYLOCK	
	15107	WASHER, 1/4IN USS FLAT	
	15109	CLIP, 1-1/2IN LOOP - VINYL	
	15104	TOP, VAC FORM - 200 - BLK	

* Kit contains (1) 15089, (6) 15151, (6) 15108, (6) 15106, (6) 15107, (6) 15109

** Kit contains (1) 15104, (4) 15151, (4) 15108, (4) 15106, (4) 15107, (4) 15109



Section 13 - Warning Decals



WARNING
ALWAYS WEAR SEATBELT
 Seatbelts must be properly fastened and adjusted for each occupant prior to operating the vehicle. See Owner's Manual.

ADVERTENCIA
SIEMPRE USE CINTURON DE SEGURIDAD
 El cinturón de seguridad debe ser apropiadamente abdo y ajustado para cada ocupante antes de la operación del vehículo. Ver Manual de Dueño.

11330-IS

WARNING
 This vehicle is not to be operated by anyone under 16 years of age.

ADVERTENCIA
 Este vehículo no debe ser operado por ninguna persona menor de 16 años de edad.

11330-WS

WARNING
ADVERTENCIA

VEHICLE MAY ROLL
 This vehicle will handle differently from any ordinary passenger car or truck. Sharp turns at rapid maneuvers or at high speeds may cause the vehicle to roll over or go out of control. Read and understand Owner's Manual before operating the vehicle.

EL VEHICULO SE PUEDE VOLCAR
 Este vehículo se maneja de manera diferente a un vehículo ordinario de pasajeros. Curvas cerradas o maniobras bruscas a alta velocidad pueden causar que el vehículo se vuelque o pierda el control. Lea y comprenda el Manual de propietario antes de operar el vehículo.

11330-YS

CAUTION
DO NOT SHIFT WHILE IN MOTION
 To change direction, stop the vehicle. Selecting a new direction with the vehicle in motion may cause uneven damage. Shifting direction with the throttle depressed will cut power to the motor causing the ignition key to be turned OFF and lock ON to reset.

11330-YS

Maximum Weight: 250 Lbs

Peso Máximo: 113 Kg

15289 - Driver and Passenger Side

WARNING
OBSERVE THE FOLLOWING INSTRUCTIONS
 Failure to understand and follow Warnings and instructions for the safe use and maintenance of this product may result in **Death or Injury**. This information is contained in the Warning Labels, Owner's Manual & Supplements, Safety Video, and Engine Manual supplied with this product. Make sure that you understand and follow all Warnings and Instructions in this material.

- Always wear a D.O.T. approved motorcycle helmet, eye protection, and protective clothing.
- Check tire pressures before operating. Refer to Owner's Manual for proper operating pressure.
- Do NOT operate the vehicle without the brush bars securely in place.
- Keep all covers and shields properly installed.
- Throttle and Brake Controls and Engine Stop Switch must work properly and freely before starting the engine.
- Operator must be seated, safety belt must be fastened, and brake applied before operating the vehicle.
- Never operate at speeds too fast for your skills or the conditions.
- Never attempt jumps or other stunts.
- Never ride after consuming alcohol, drugs, or other intoxicants.

If you did not receive any of the material listed above, please call 1-800-643-7332 and request to have them sent to you at no charge.

15289

WARNING
CHARGE IN WELL VENTILATED AREA
 Charging must take place in an area that is adequately ventilated. To reduce the chance of battery explosion that could result in severe injury or death, never smoke around the batteries or electric equipment that could cause an electric arc.

15290 - Under Seat Storage

11330-V - Driver Side
 11330-VS - Pass Side

WARNING
ACID BURN HAZARD
 These batteries contain an electrolyte made of a solution containing acid and water and can cause severe burns. If contact is made with eyes, face, or other body parts, flush with water for at least 15 minutes. Call a physician immediately.

DISCONNECT FUSE BEFORE SERVICING
 Disconnect the Main Fuse first, before servicing. Failure to do so may result in serious shock or burn.

15288 - Behind Access Panel

WARNING
NO RIDING
 This cargo bed is intended for cargo only, not exceeding the rated weight load found in the Owner's Manual. All occupants must be inside the vehicle and wearing the proper restraints and safety gear. Absolutely no riding on the outside of the vehicle or in cargo bed.

LATCH DUMP BED
 Driving with the cargo bed raised is hazardous. Always lower and latch bed before driving.

NO SUBIR
 Esta caja de carga está diseñada sólo para carga, no supere el peso recomendado en el Manual de Dueño. Todos los ocupantes deben estar adentro del vehículo usando equipo de seguridad y restricciones adecuadas. No subir afuera del vehículo o en la caja de carga.

SEGURO DE LA CAJA DE VOLCAR
 Manejar con la caja de carga levantada es peligroso. Todo el tiempo manténgala abajo y use el seguro de la caja cuando maneje.

11330-WS